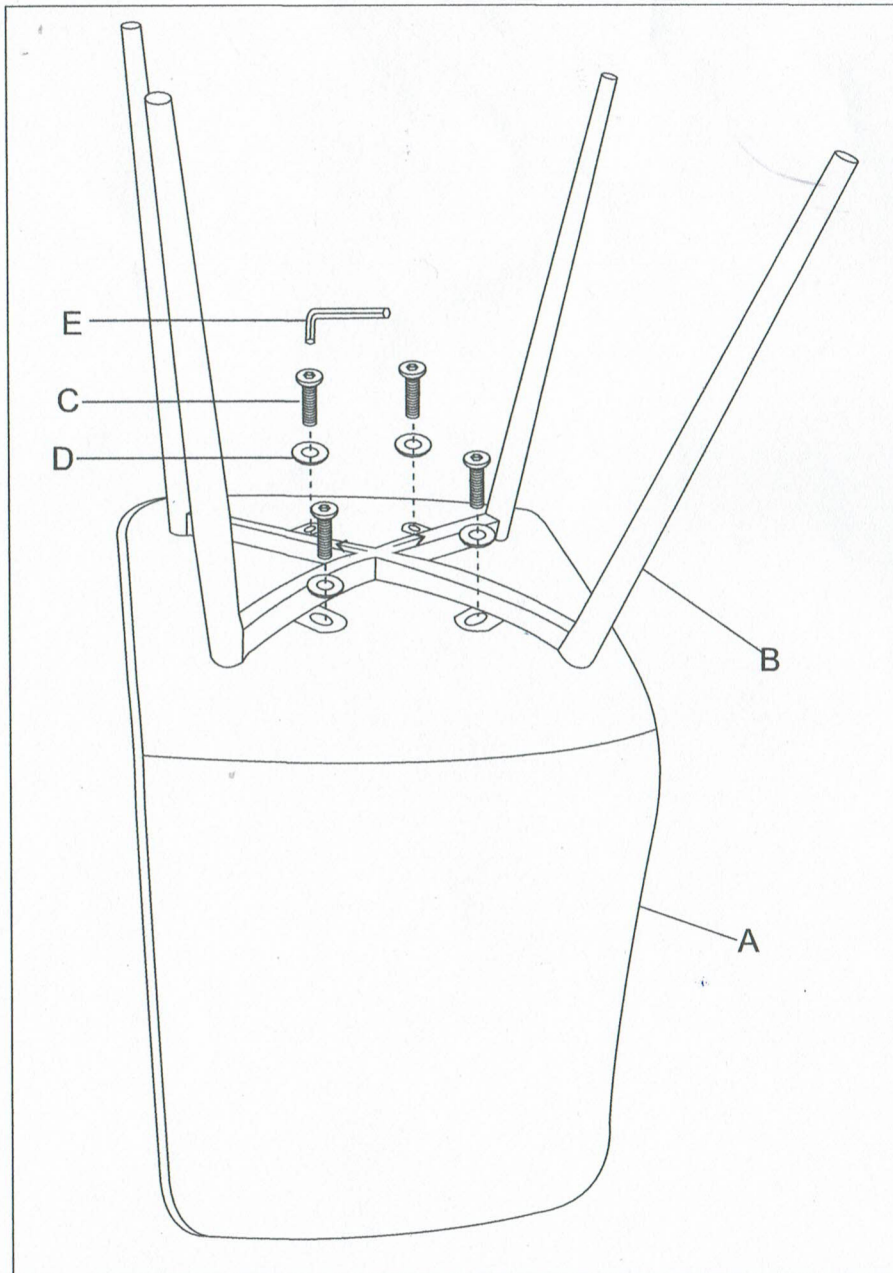


ITEM #:GHC-21851
BUYER ITEM #:2217



<p>A 1</p>	<p>B 1</p>	<p>C M6X20 4</p>	<p>D M6X18 4</p>	<p>E M5 1</p>
----------------	----------------	--------------------------	--------------------------	-----------------------