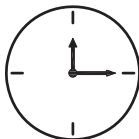
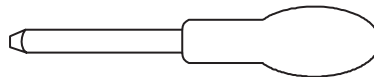


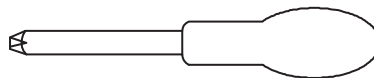
2 PERS.



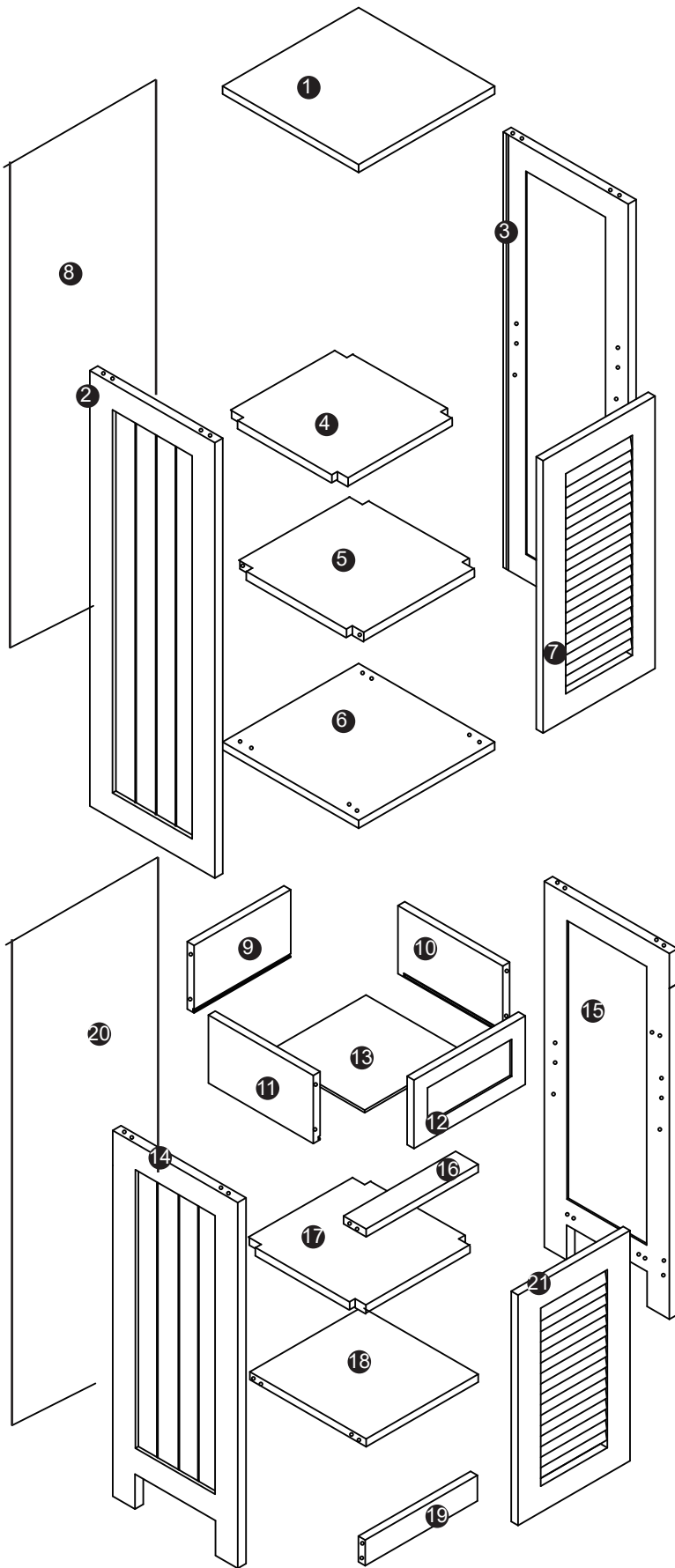
30 MIN







SLOTTED SCREWDRIVER(Not Provided)


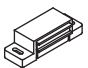




POZI SCREWDRIVER(Not Provided)





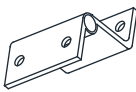

A	x22	B	x22
			



C	x22	D	x4
		 M4x30mm	


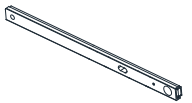
E	x24	F	x2
 M3x12mm			



G	x2	H	x3
			

I	x3	J	x8
		 M4x16mm	

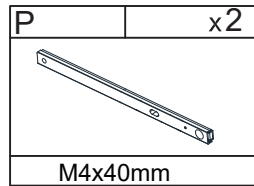
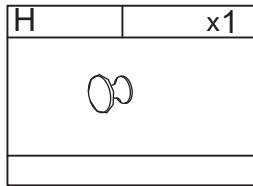
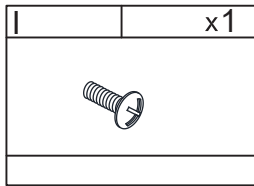
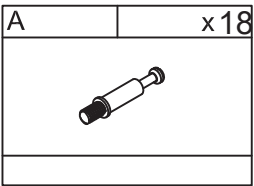
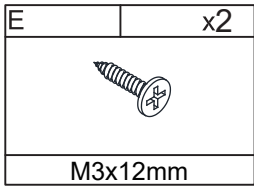
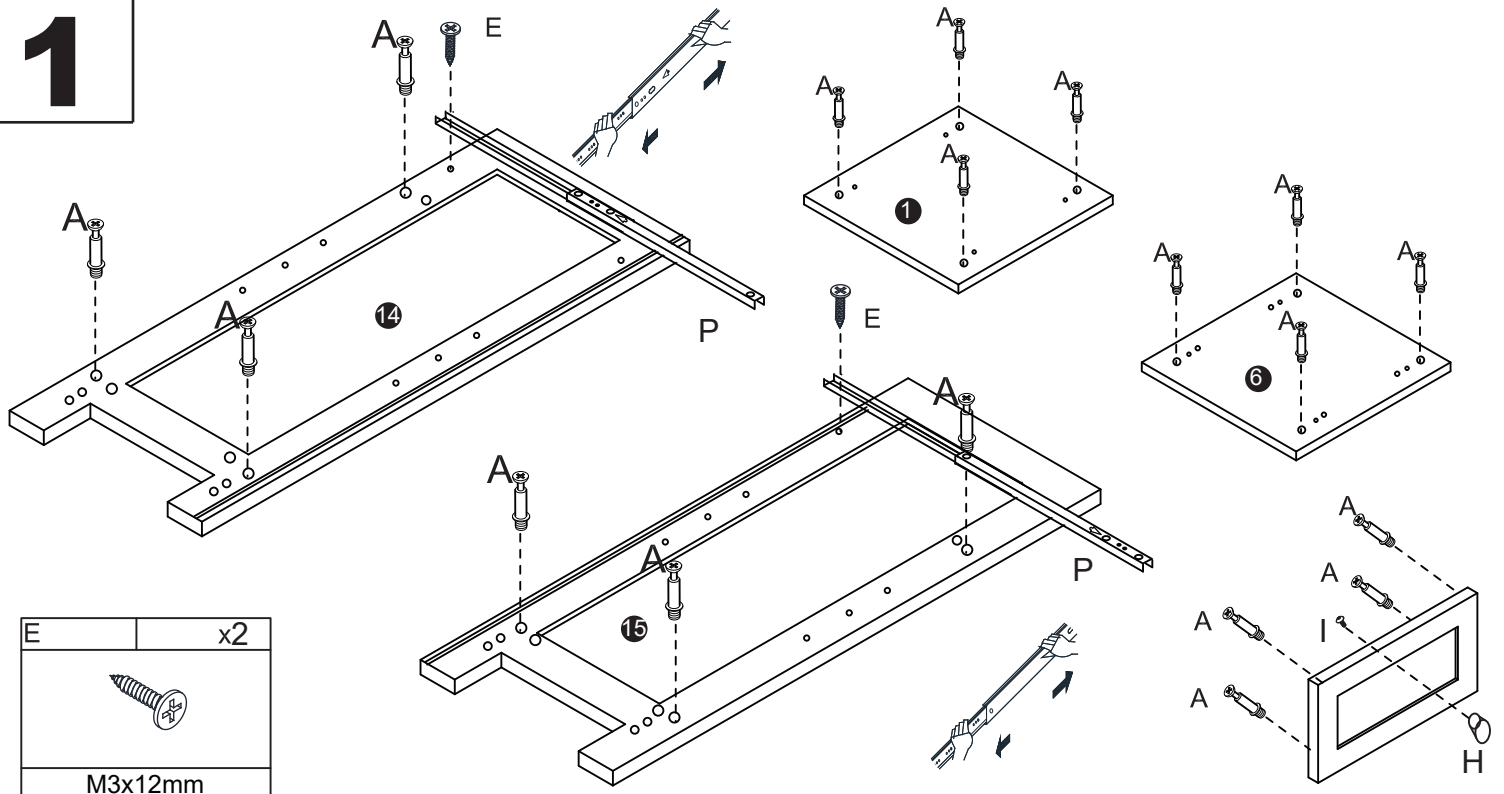
K	x4	L	x6
		 M3x14mm	

M	x2	N	x2
			

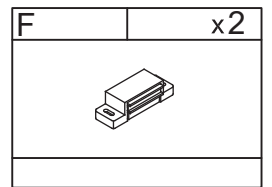
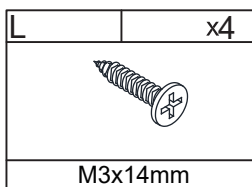
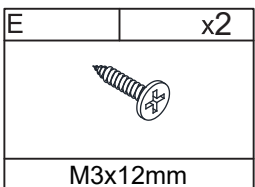
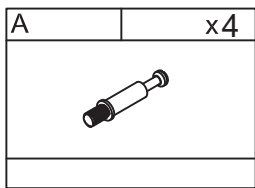
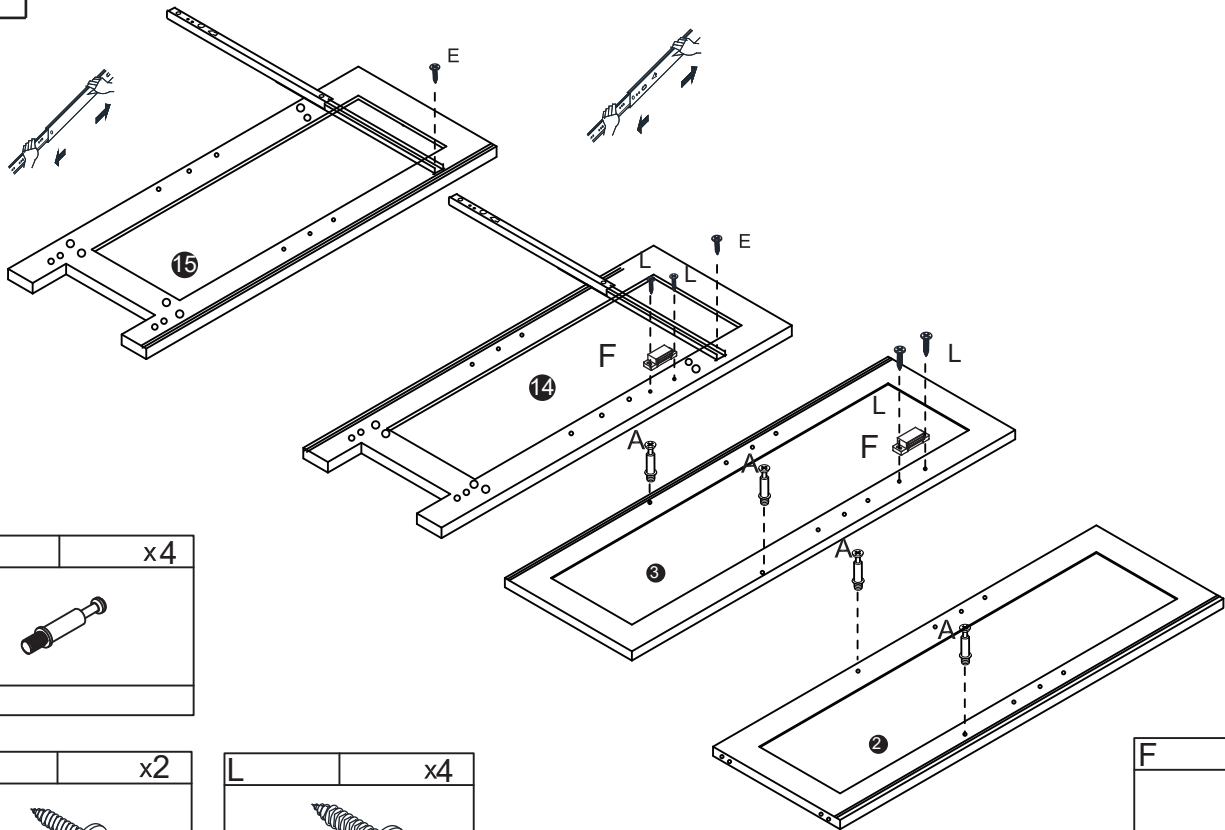
O	x2	P	x2
 M4x40mm			

Q	x2	R	x4
 M4x10mm		 M4x35mm	

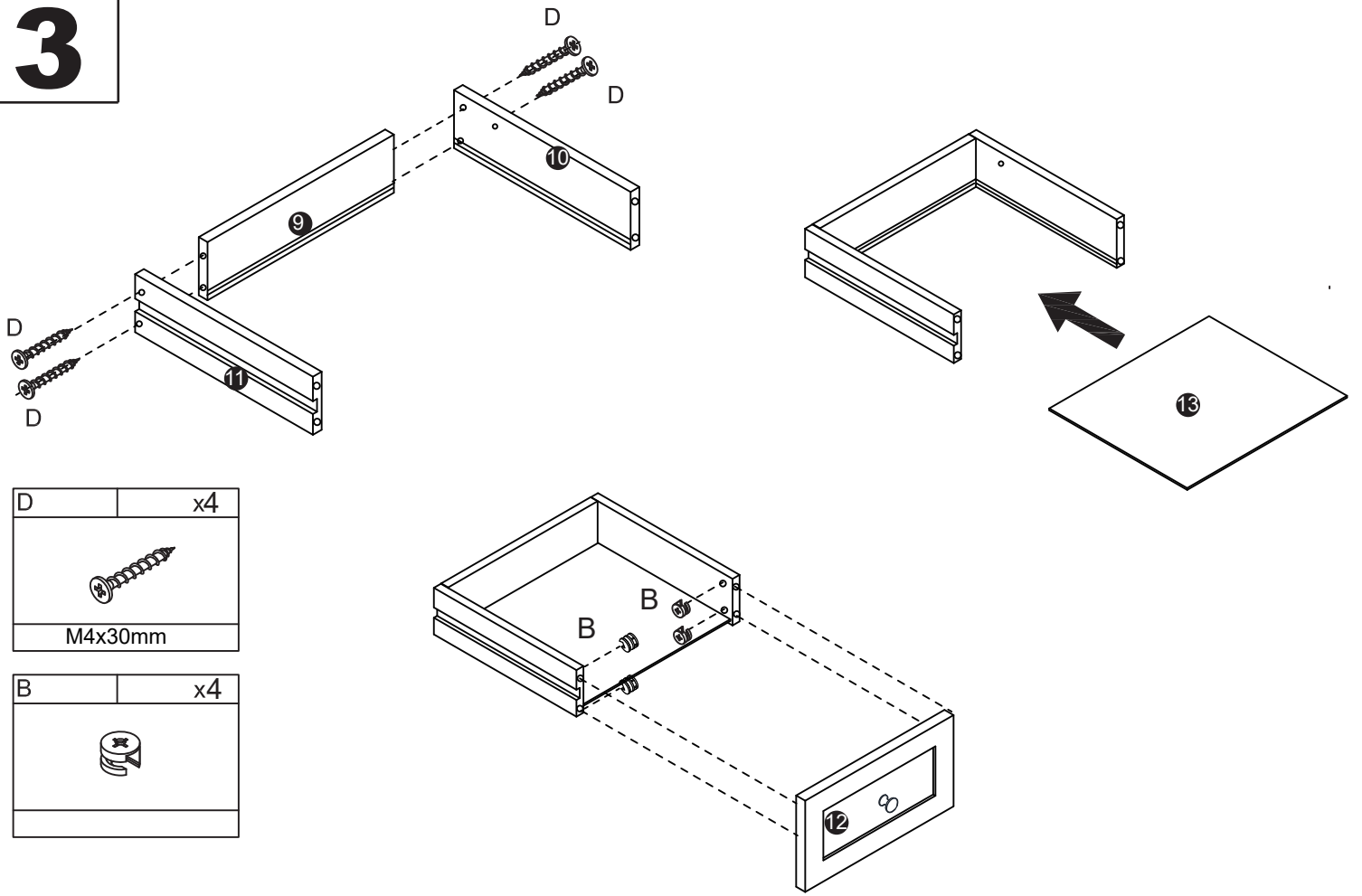
# 1



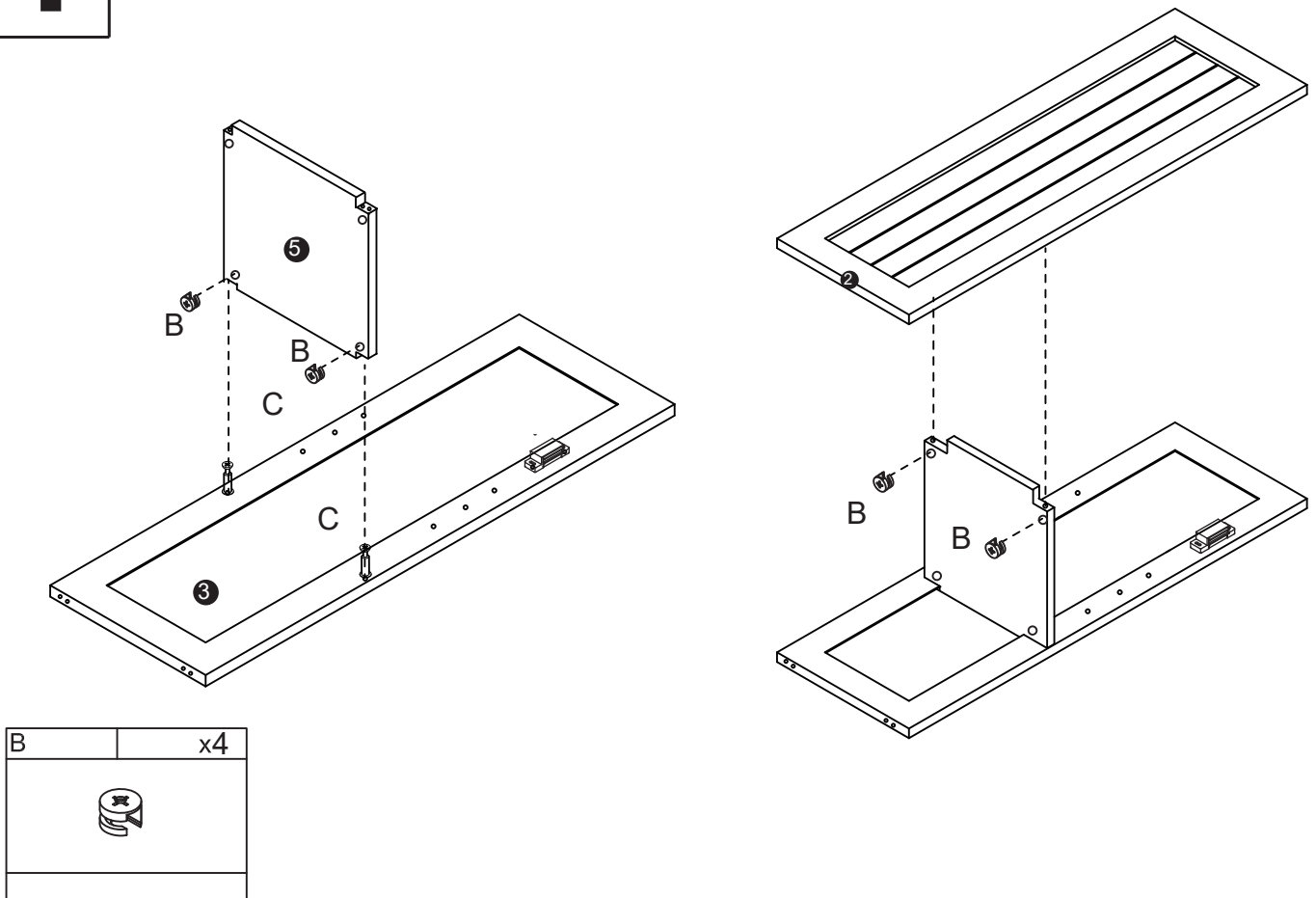
# 2



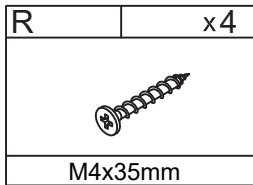
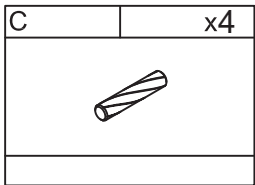
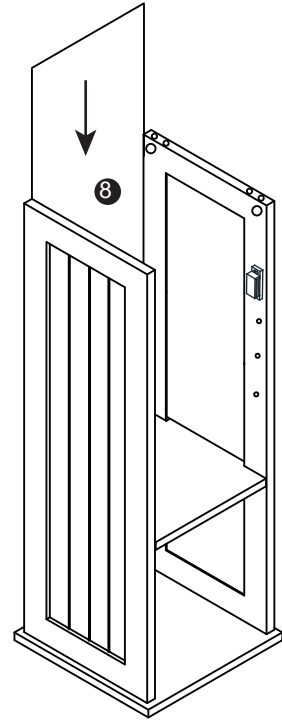
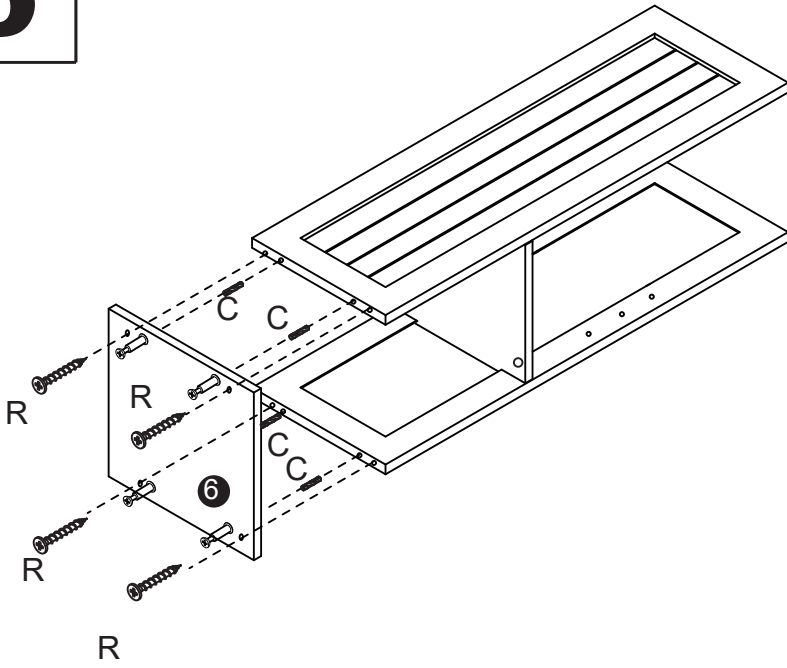
# 3



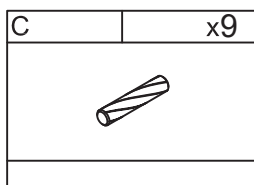
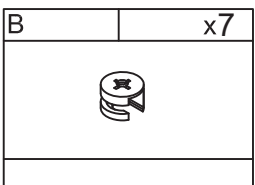
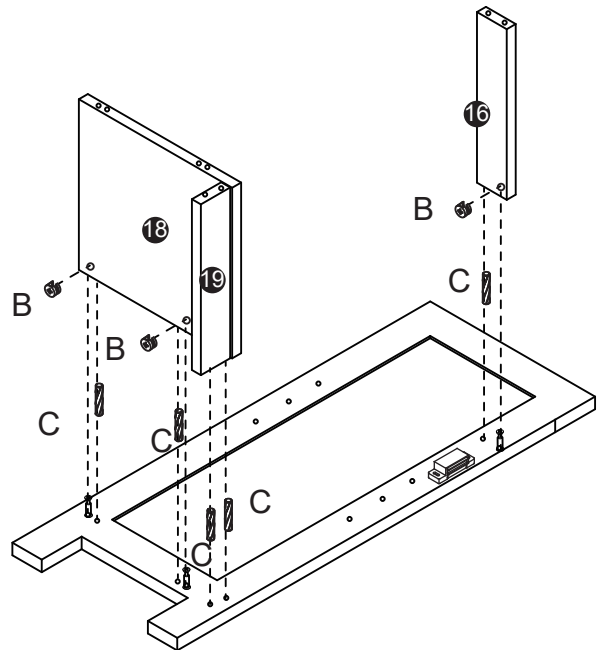
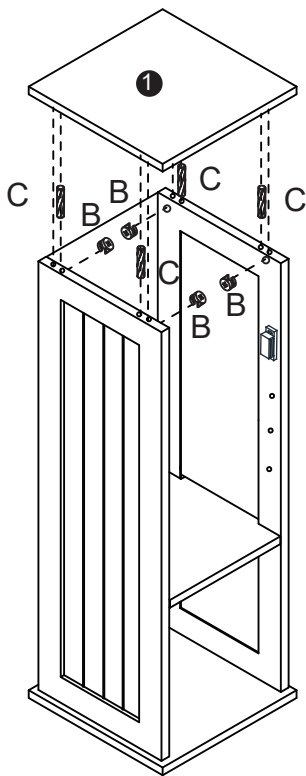
# 4



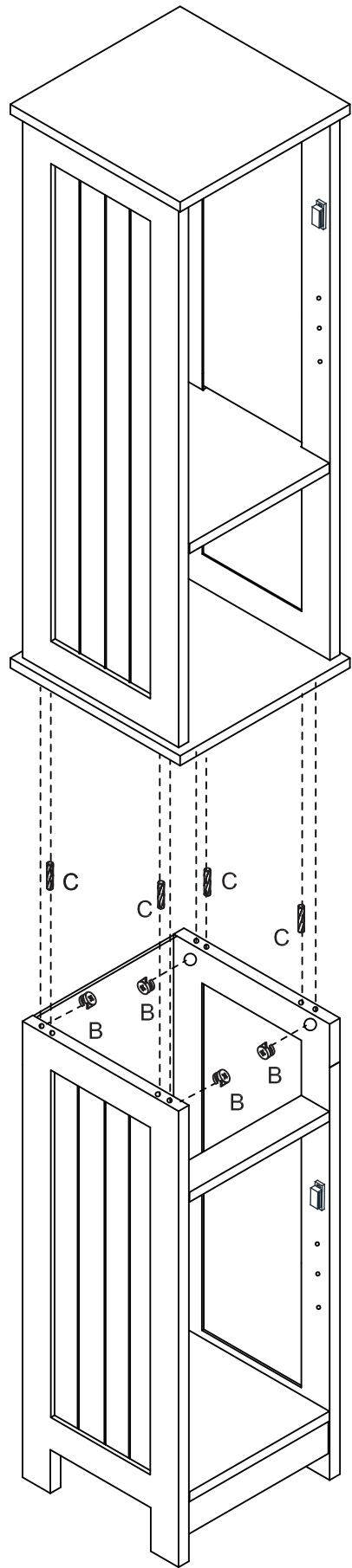
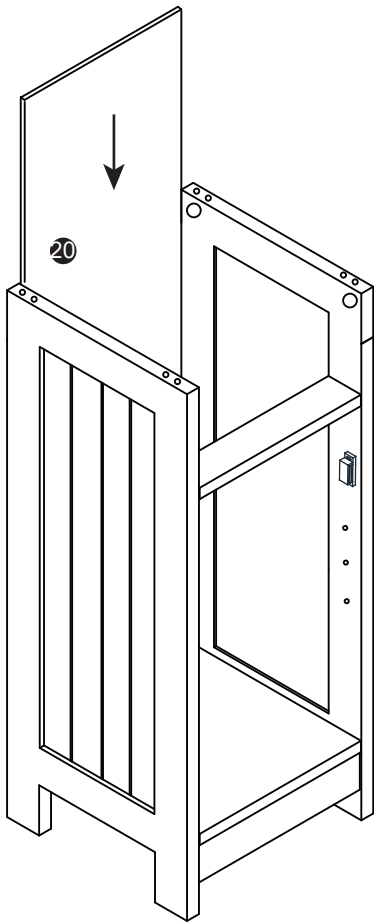
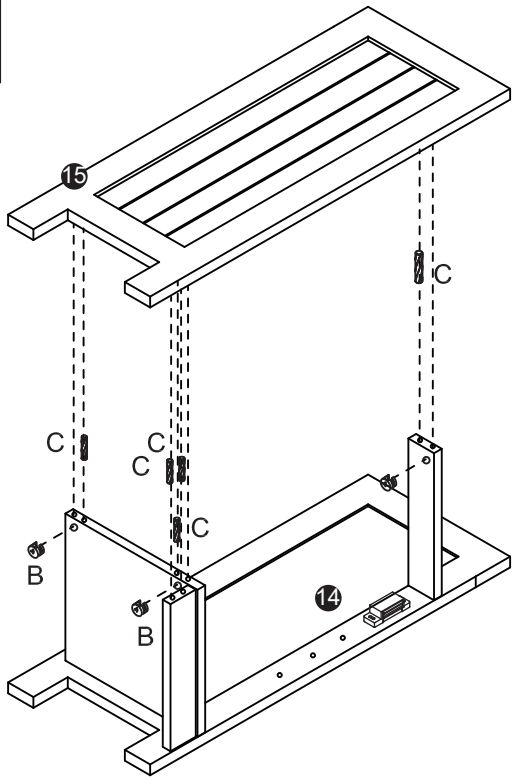
# 5





# 6



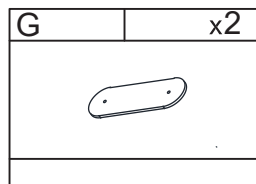
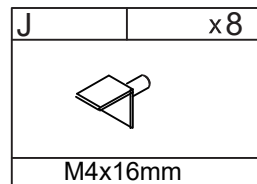
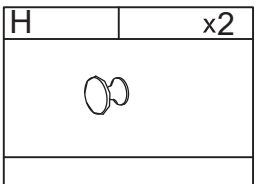
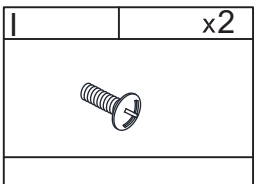
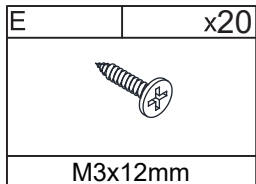
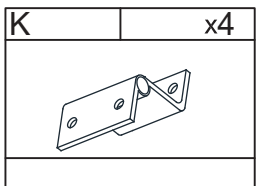
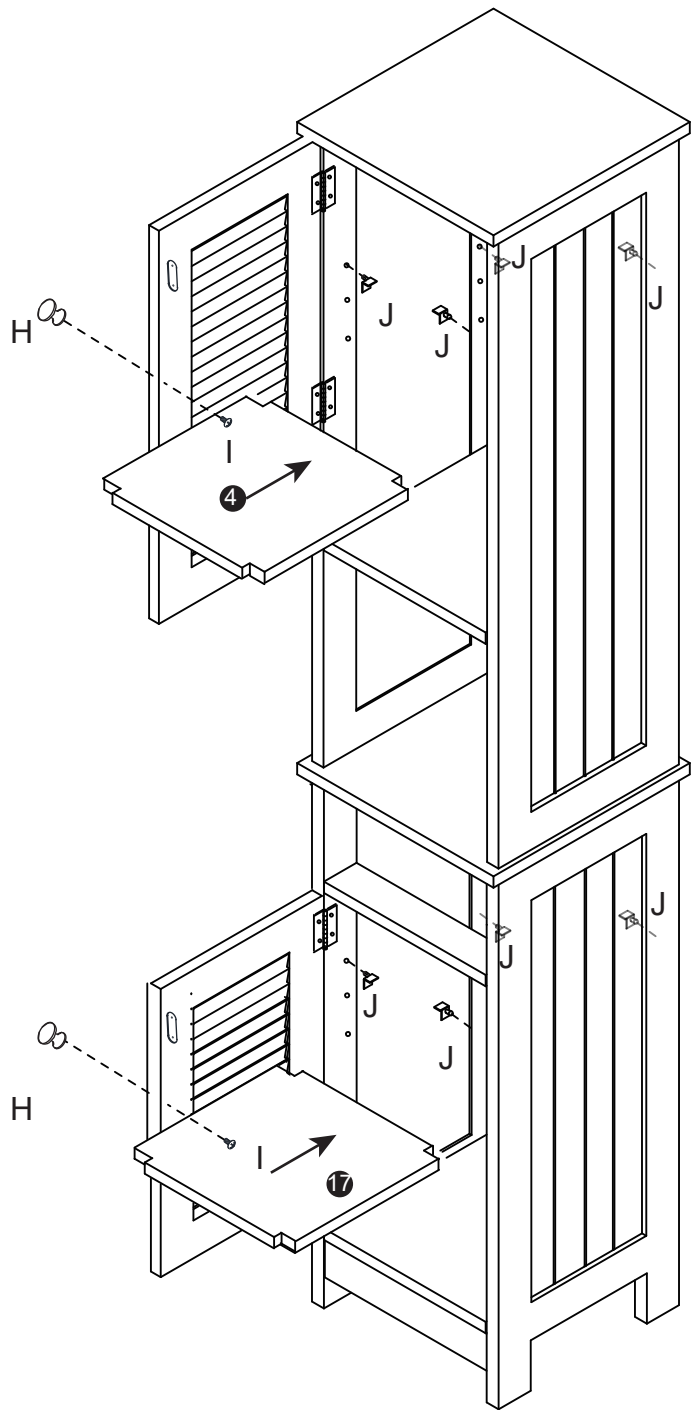
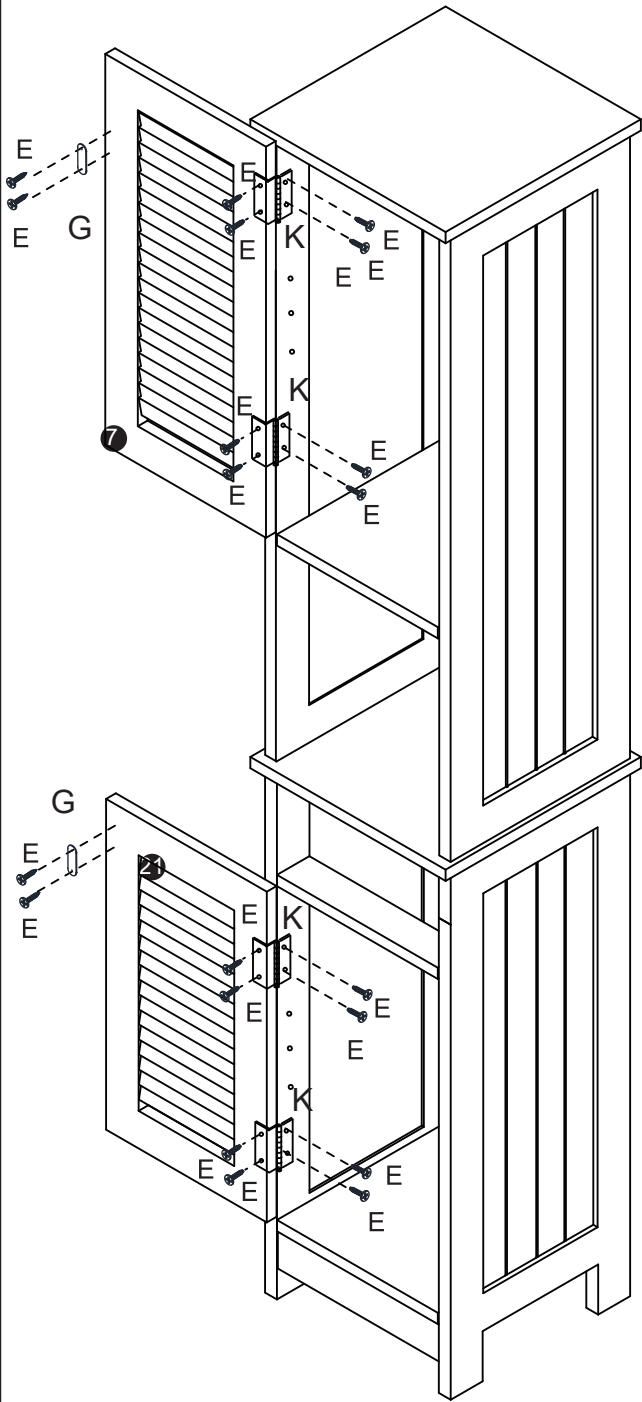
7



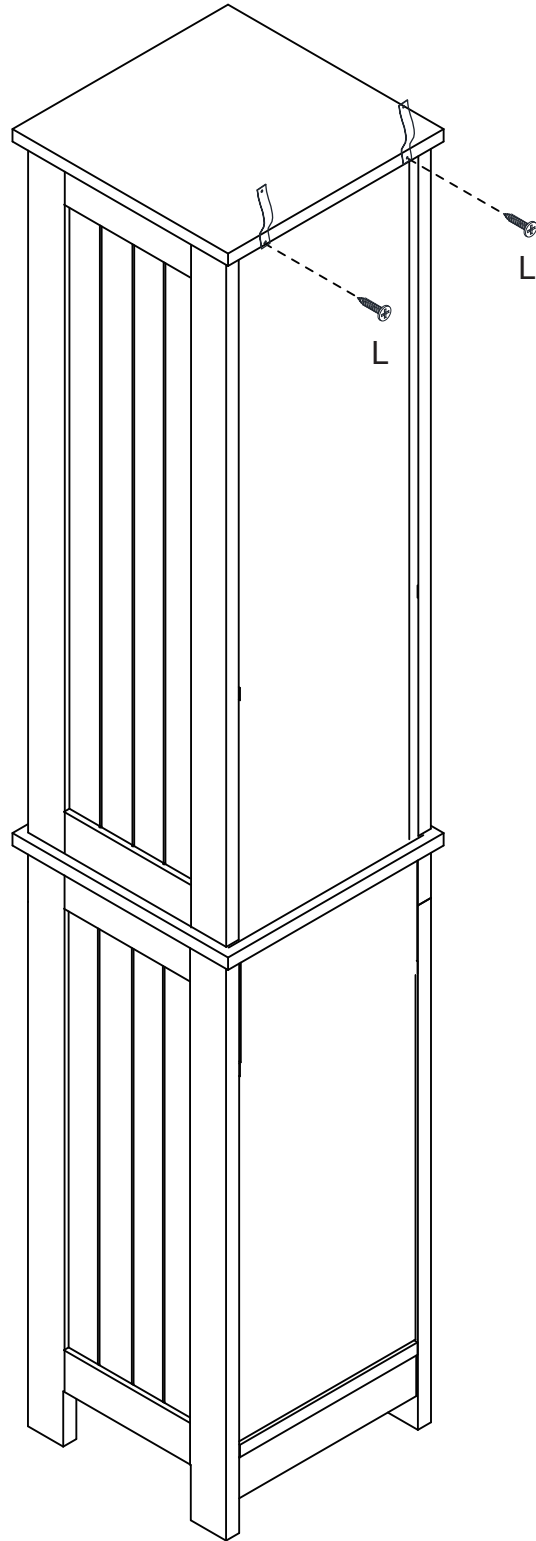
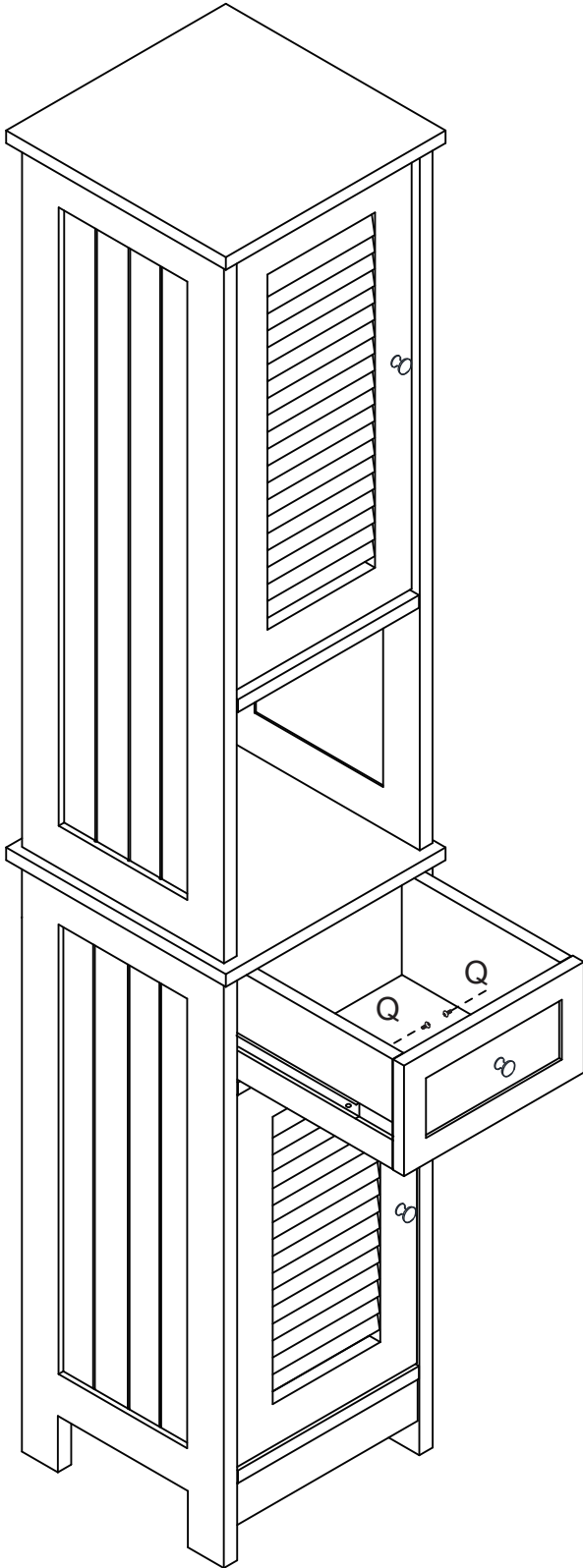
B	x7
	


C	x9
	


# 8




9



Q	x2
	
M4x10mm	

L	x2
	
M3x14mm	

M	x2
	



# 11

