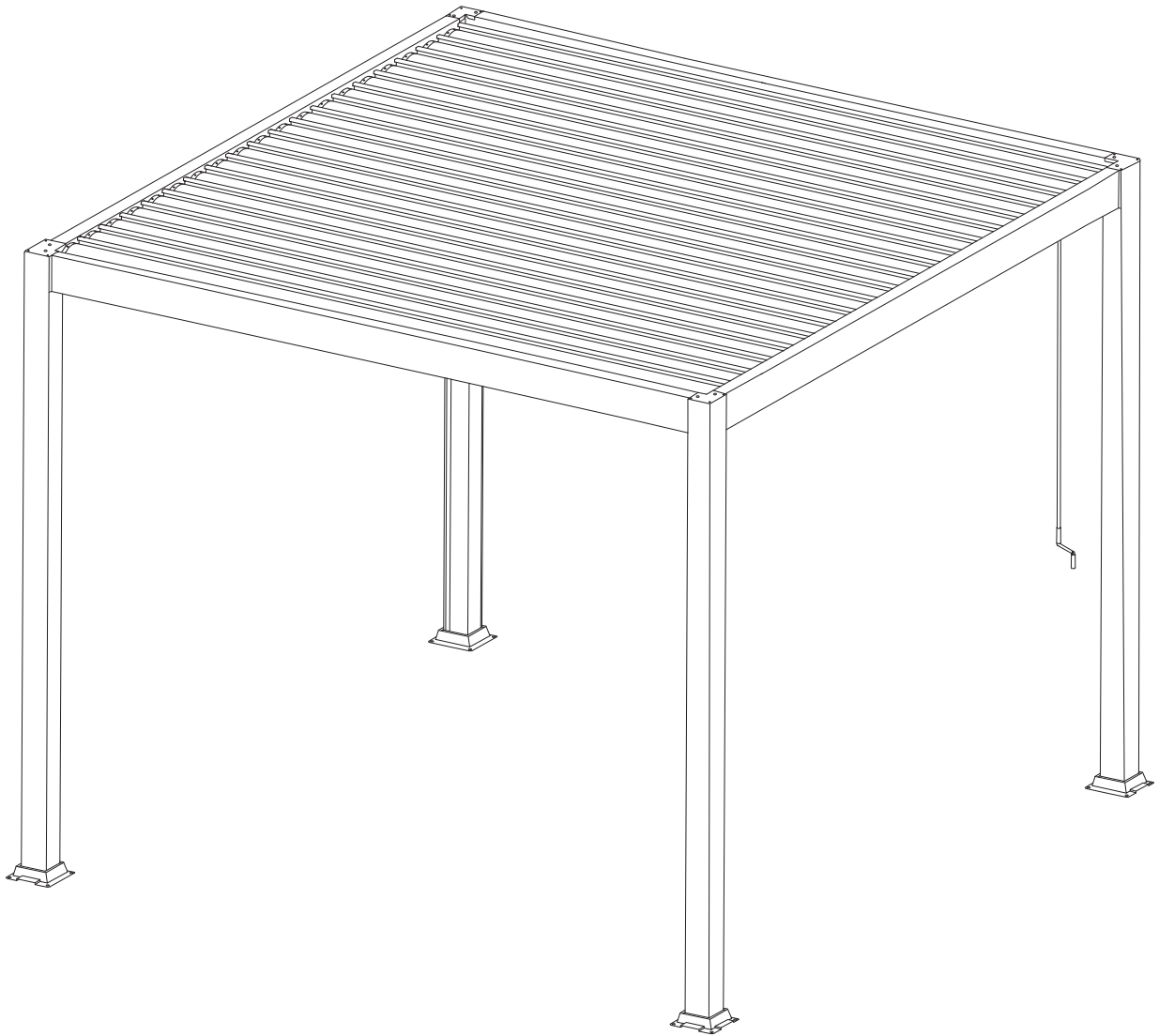
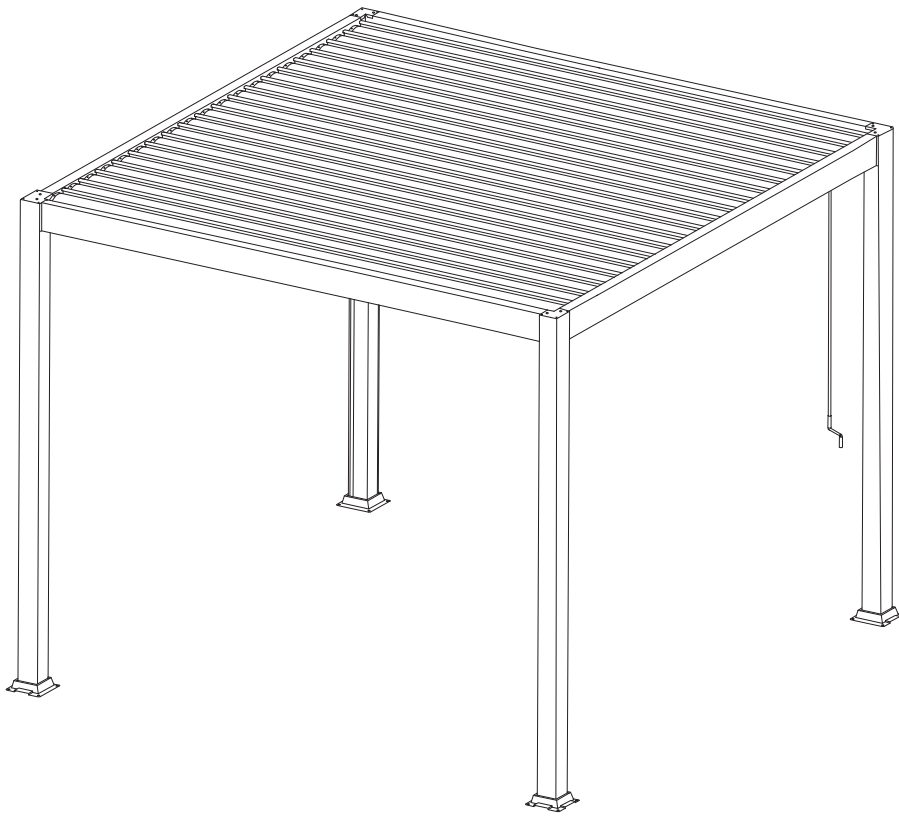
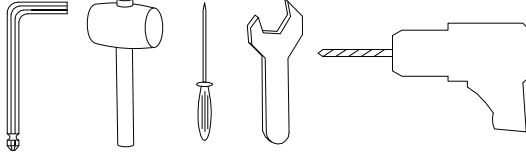
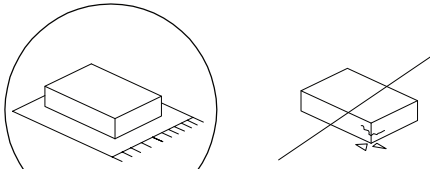


FORNOLI



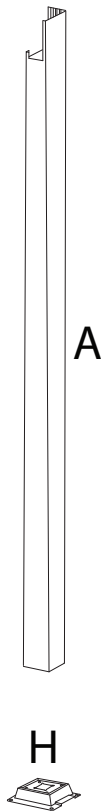
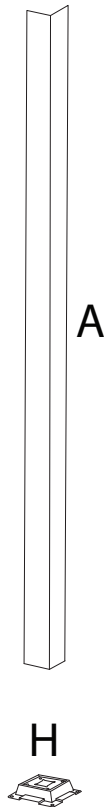
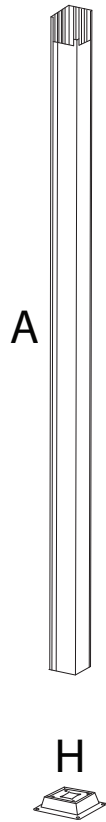
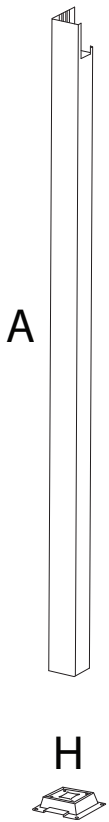
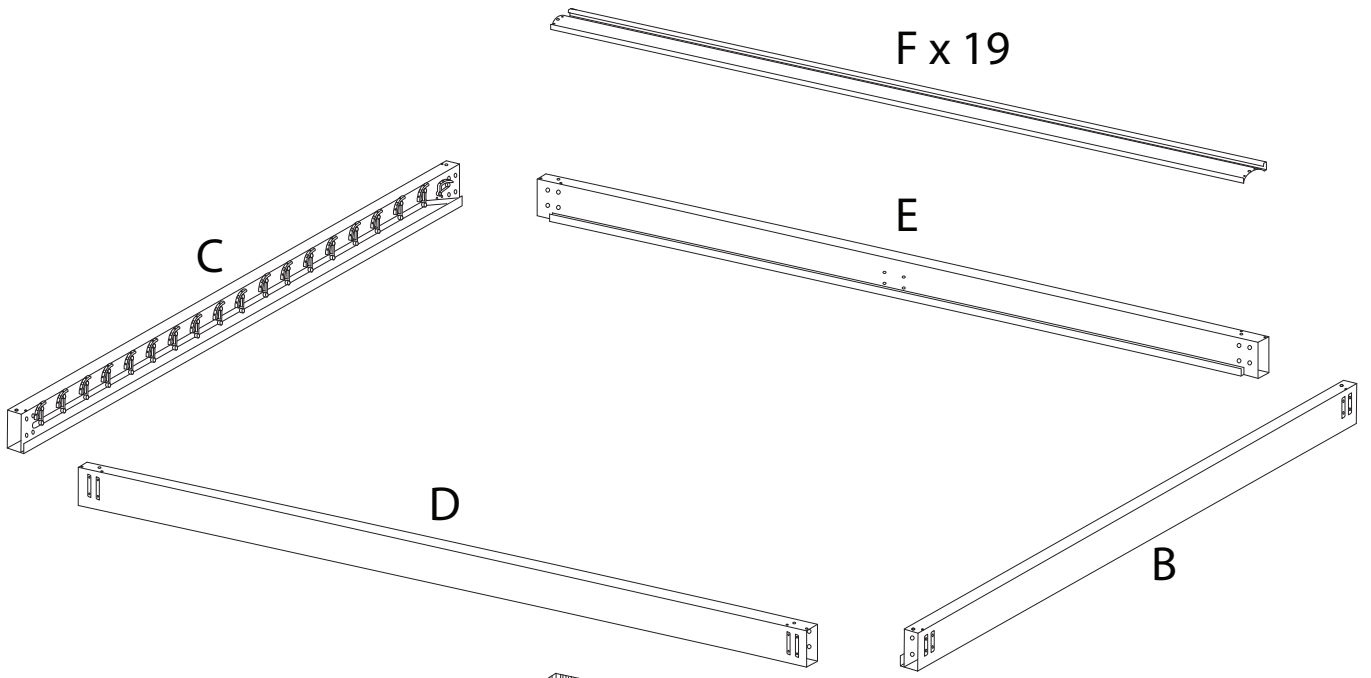


! 

! 

120'

3

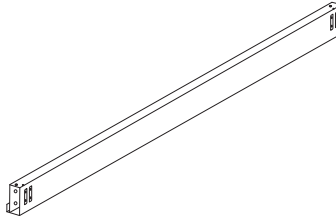


A



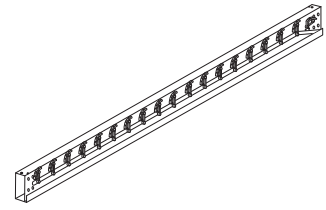
x 4

B



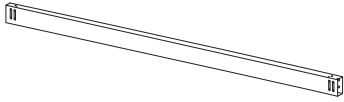
x 1

C



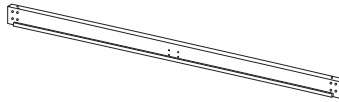
x 1

D



x 1

E



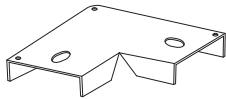
x 1

F



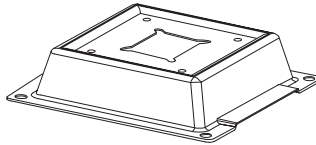
x 19

G



x 4

H



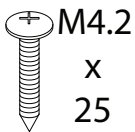
x 4

I



x 1

J



x 28

K



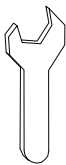
x 54

L



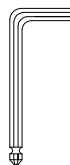
x 16

O



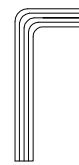
x 1

P



x 2

Q



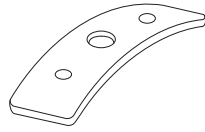
x 1

R



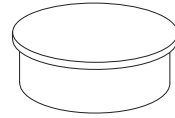
x 1

S



x 38

T



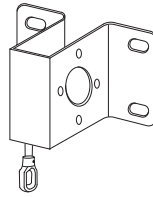
x 24

1



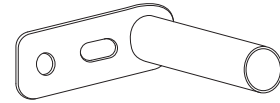
x 2

2



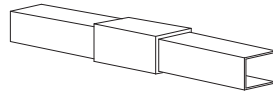
x 1

3



x 2

4



x 1

1

A



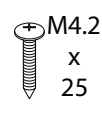
x 4

H



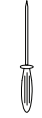
x 4

J

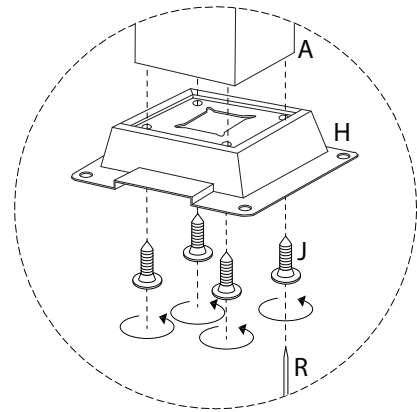
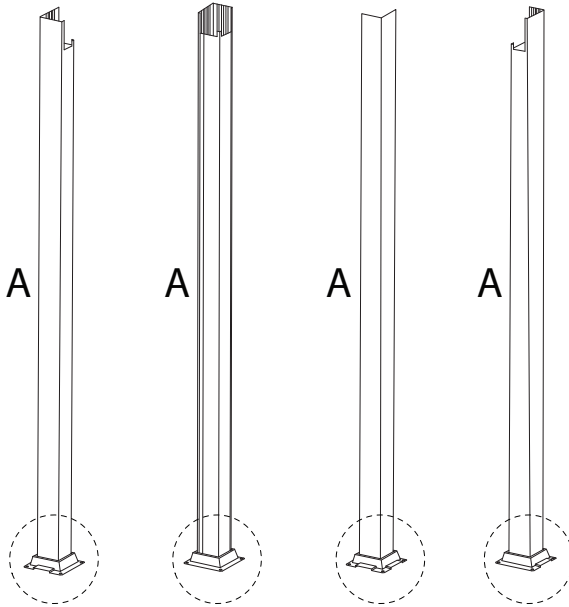


x 16

R

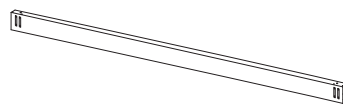


x 1

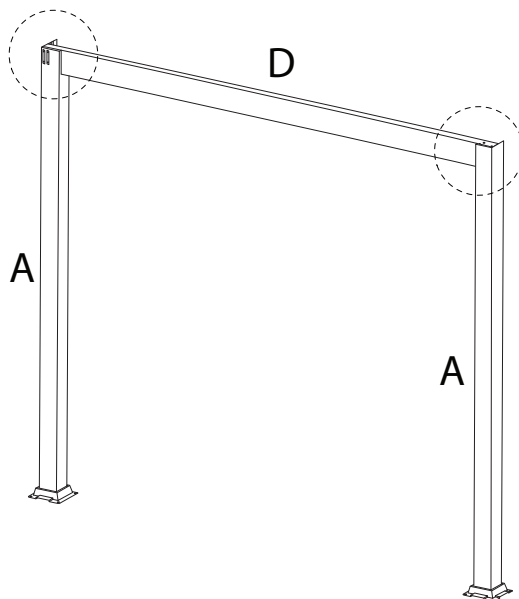


2

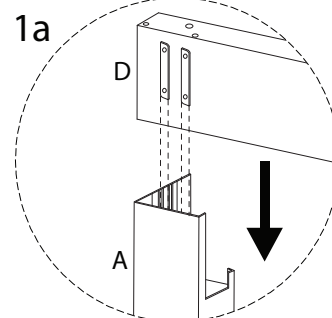
D



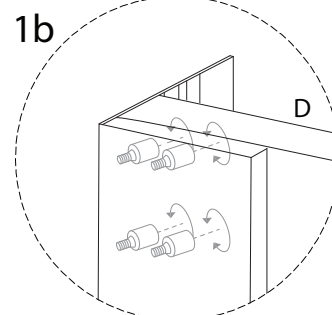
x 1



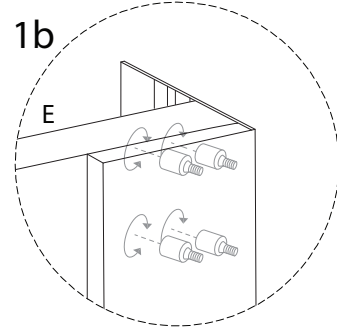
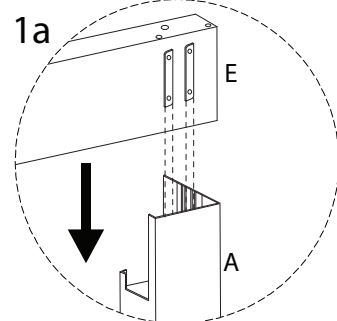
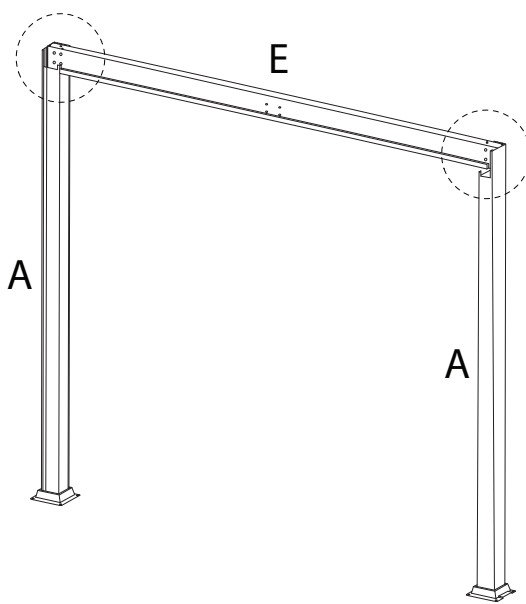
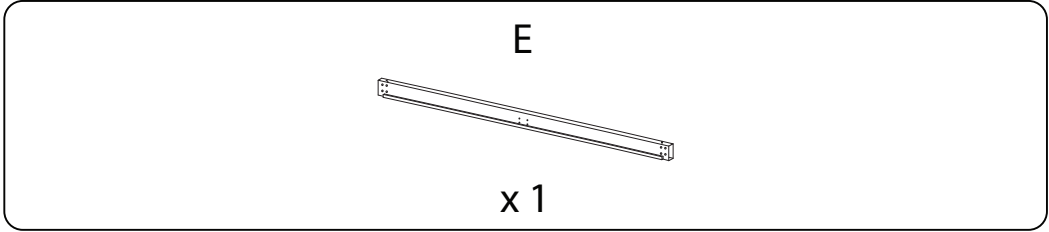
1a



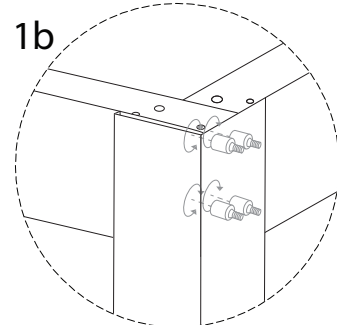
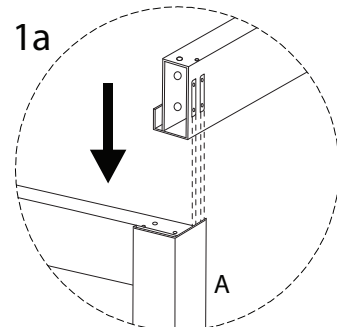
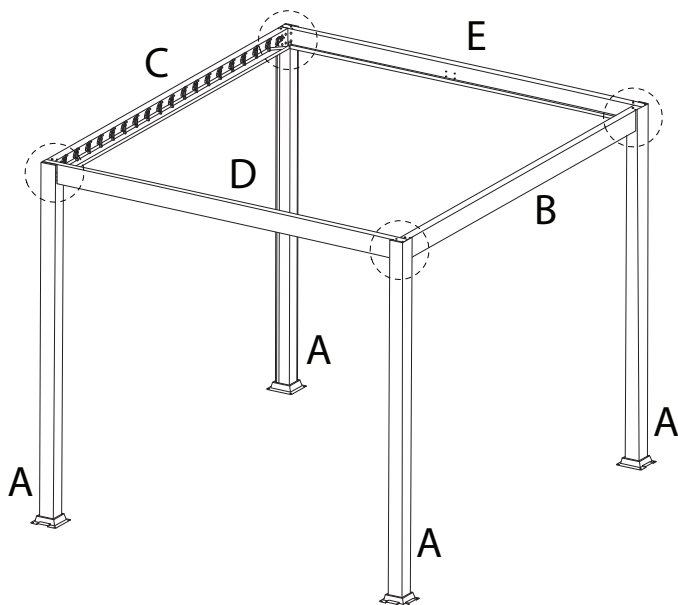
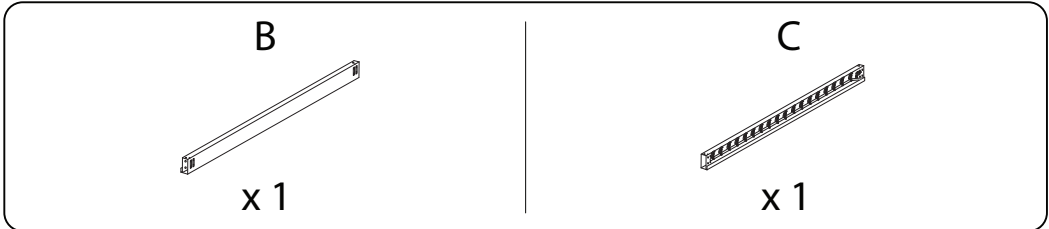
1b






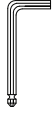

3

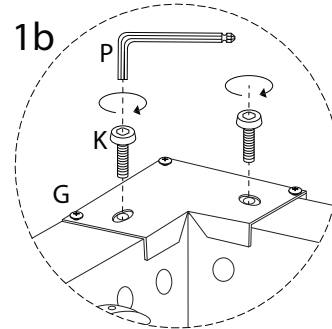
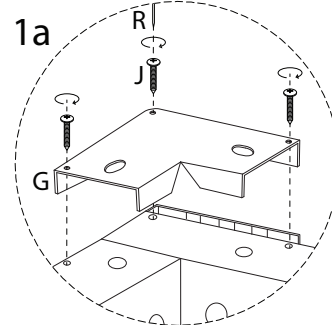
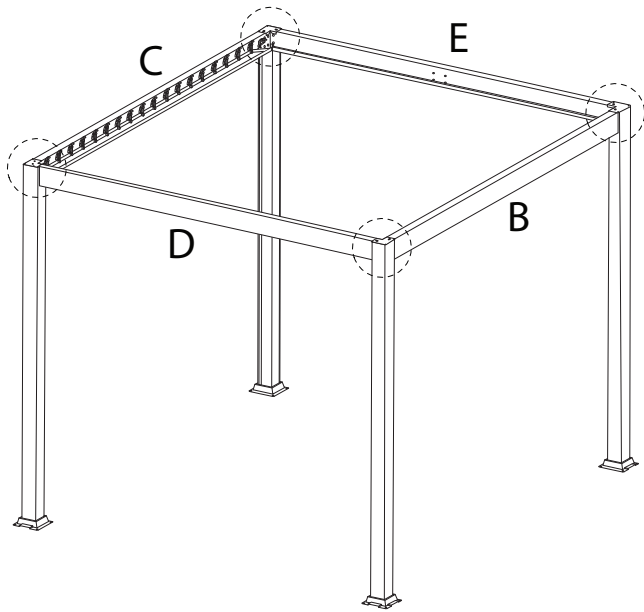


4




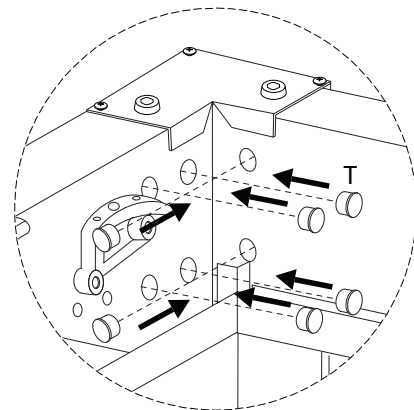
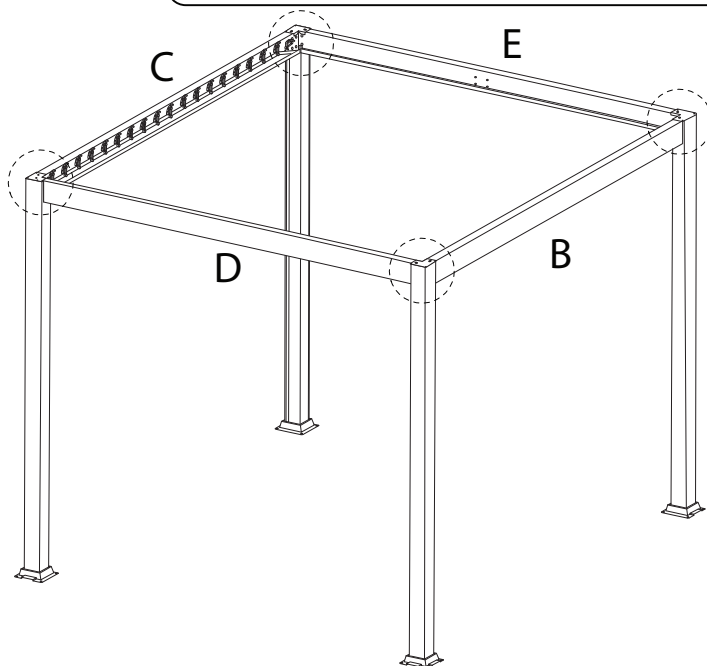
5

G  x 4	J  x 12	K  x 8	P  x 1	R  x 1
--	---	--	--	--

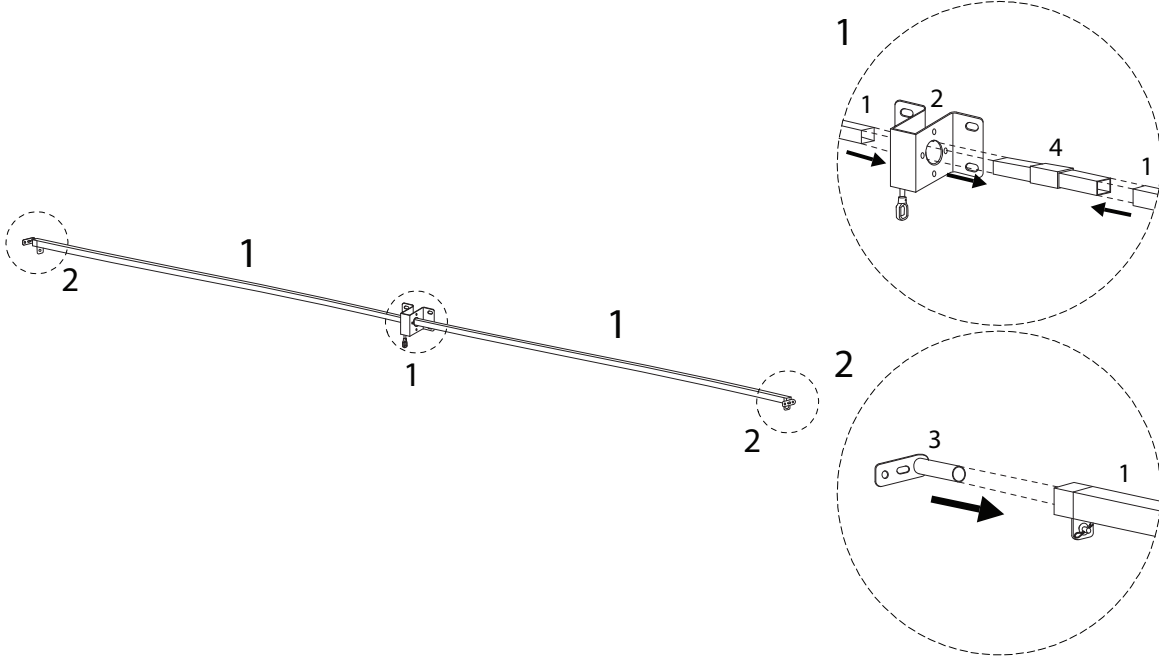
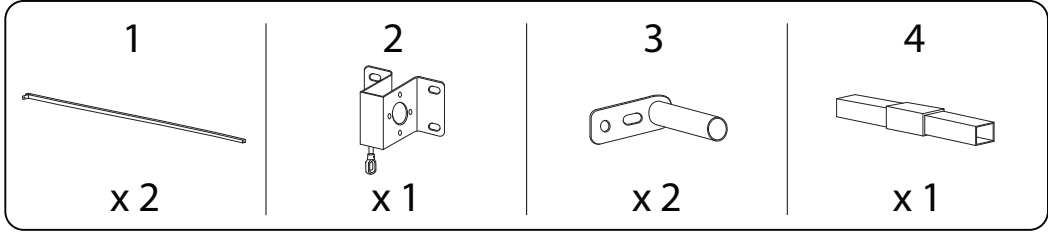


6

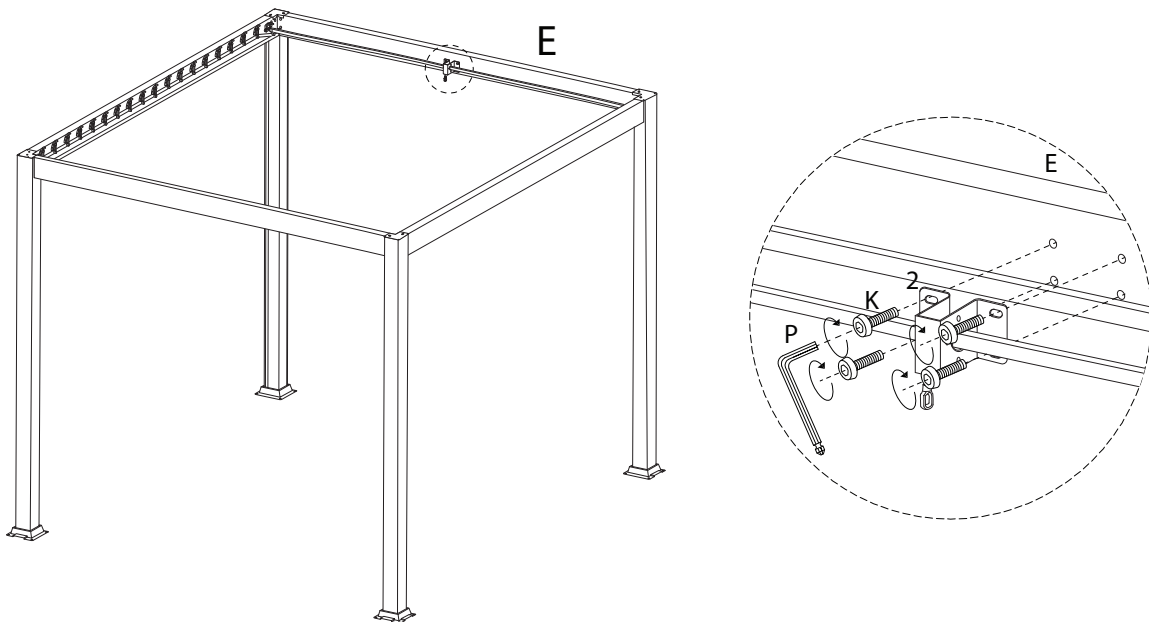
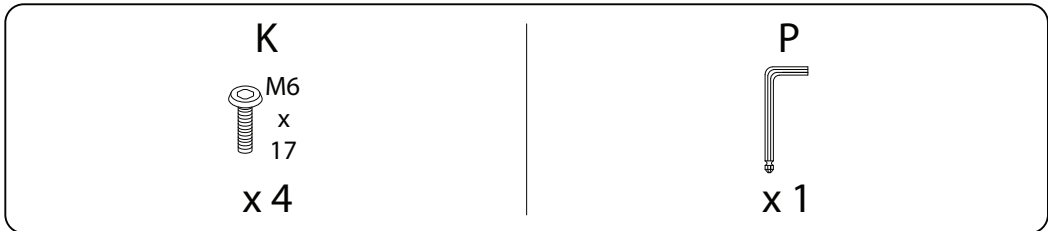
T  x 24



7



8



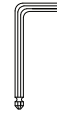
9

K

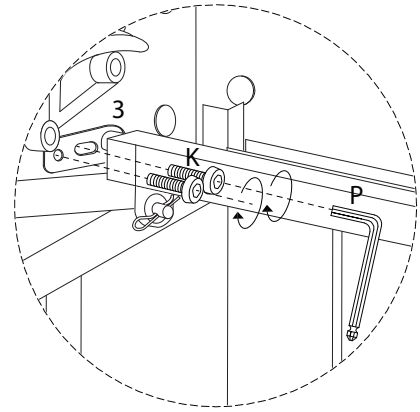
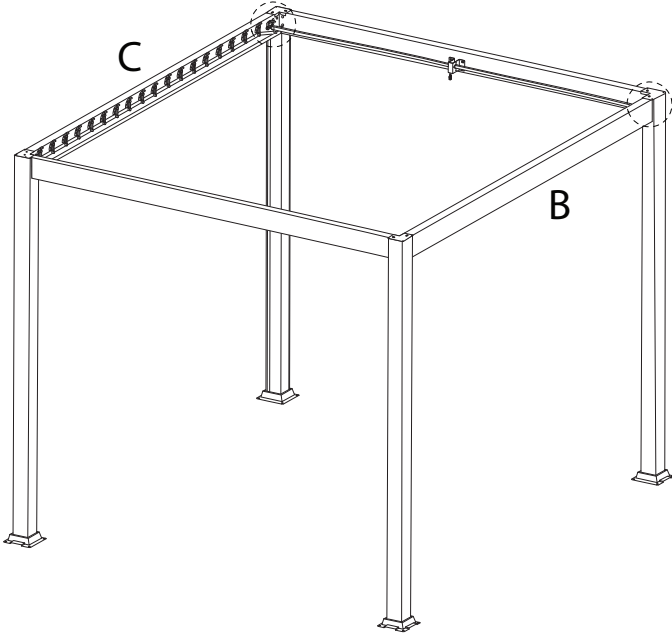


x 4

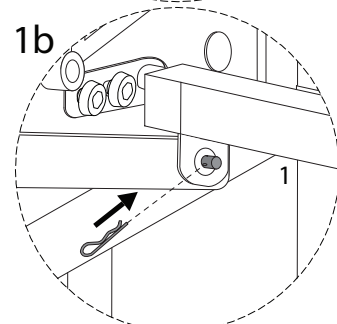
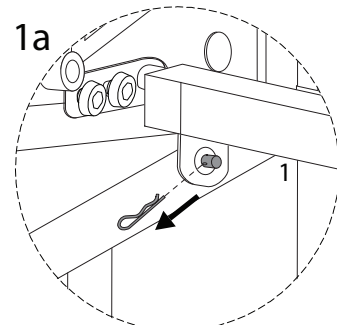
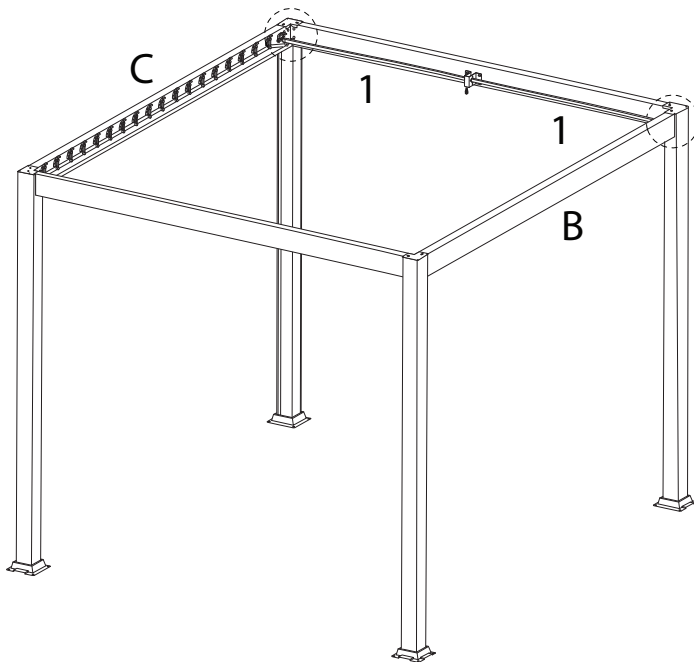
P



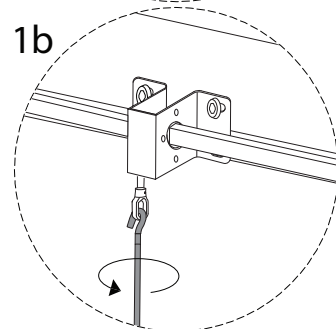
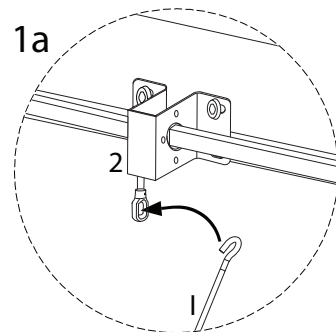
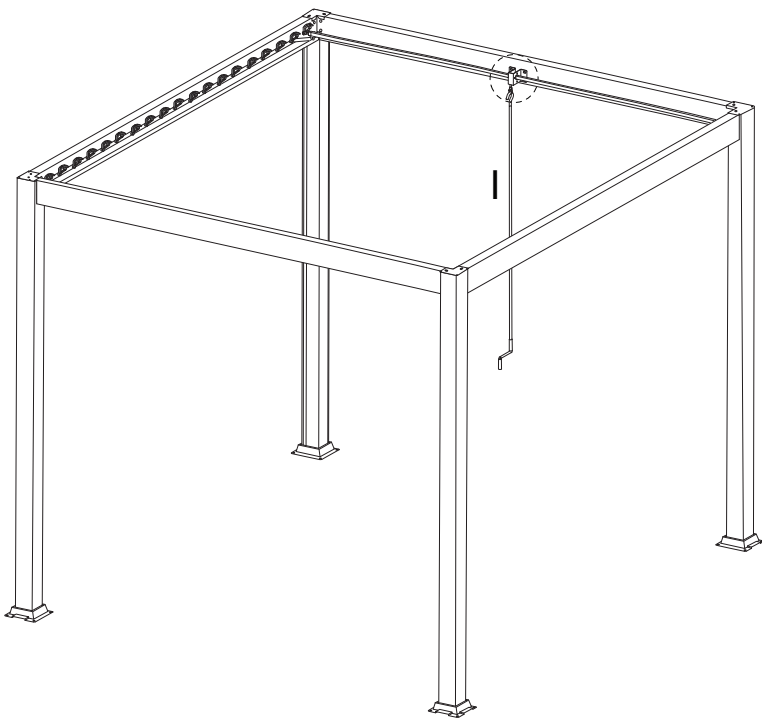
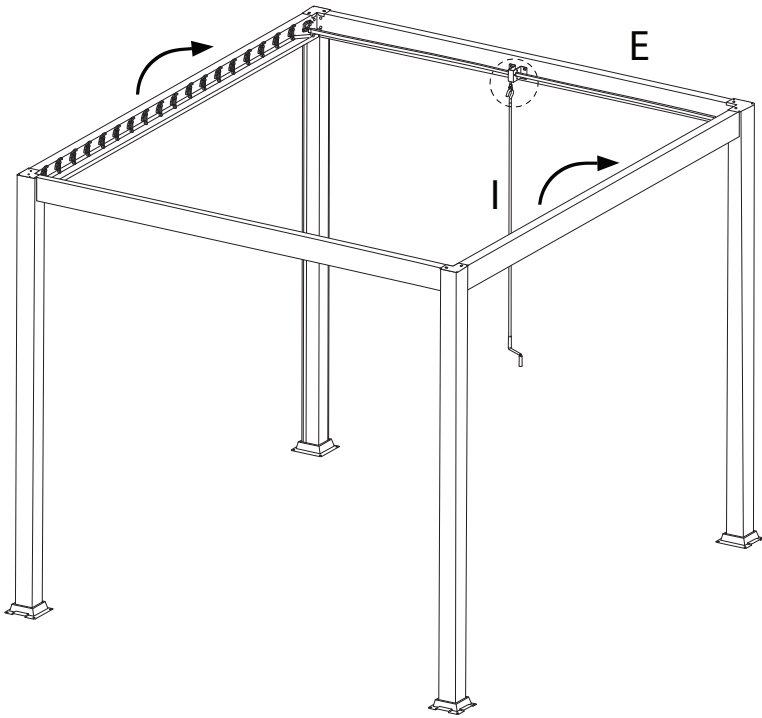
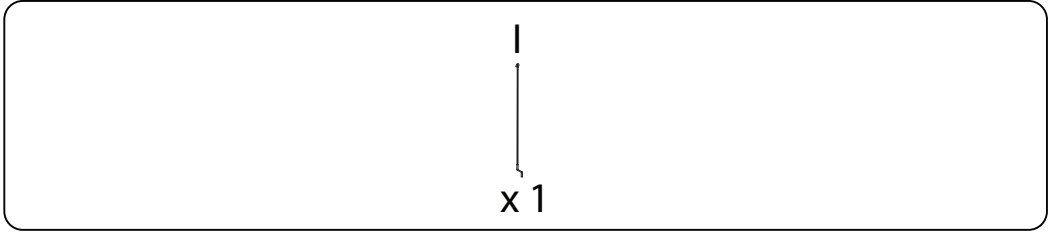
x 1



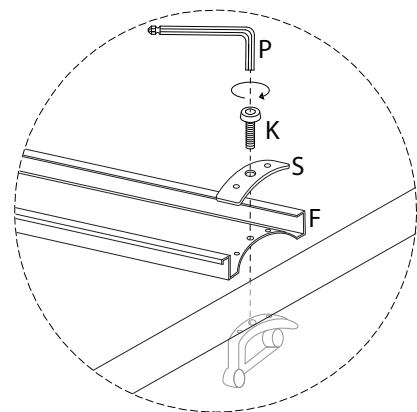
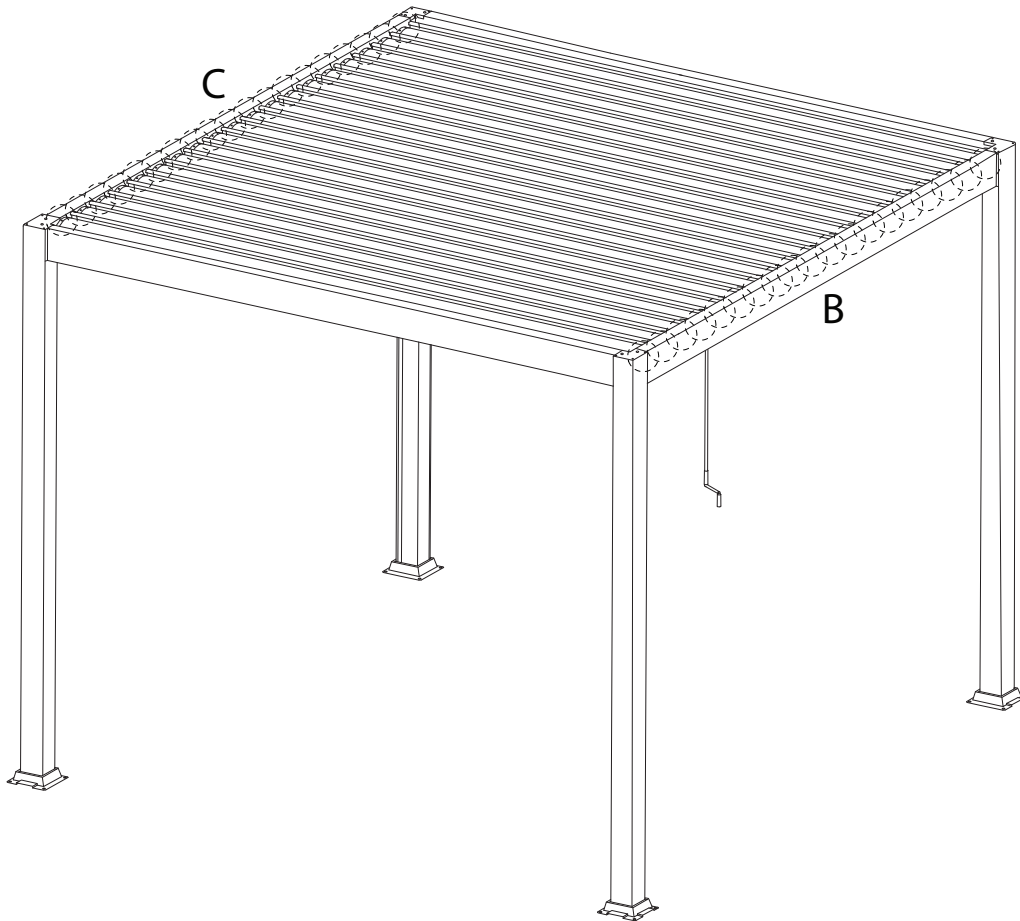
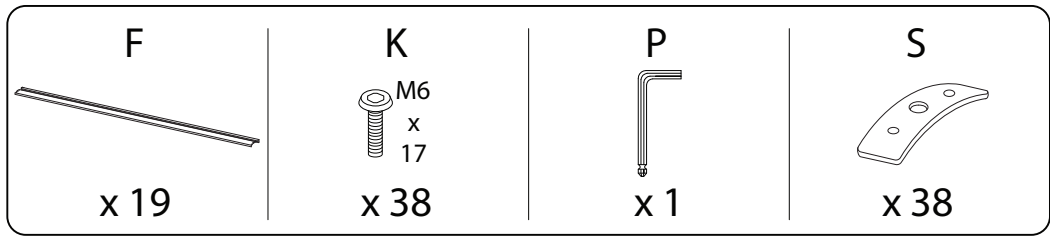
10



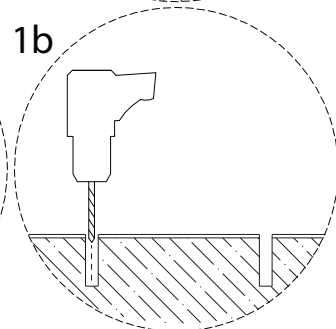
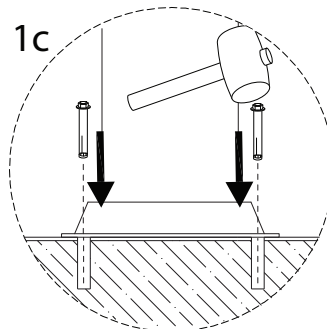
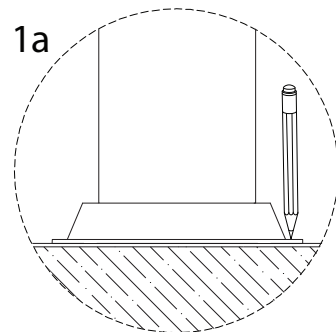
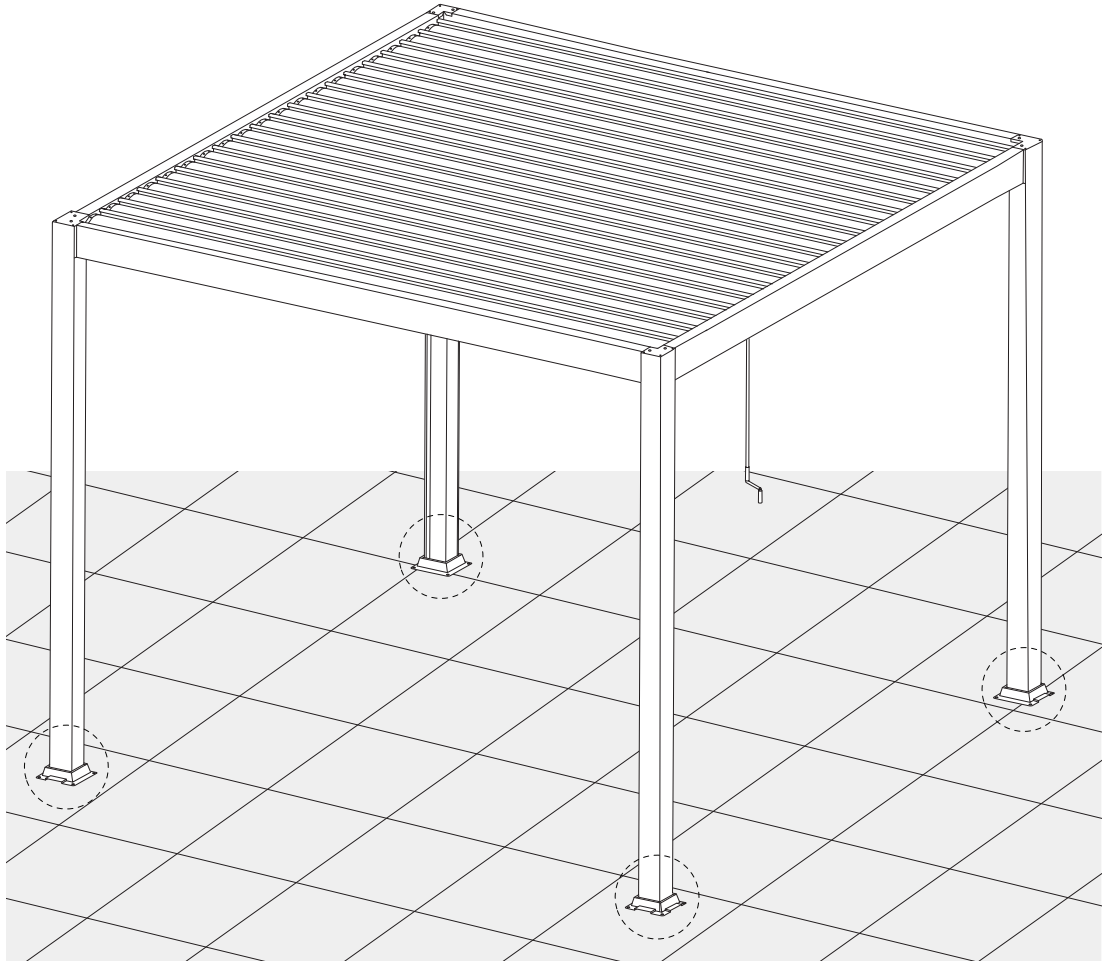
11



12



13



!

