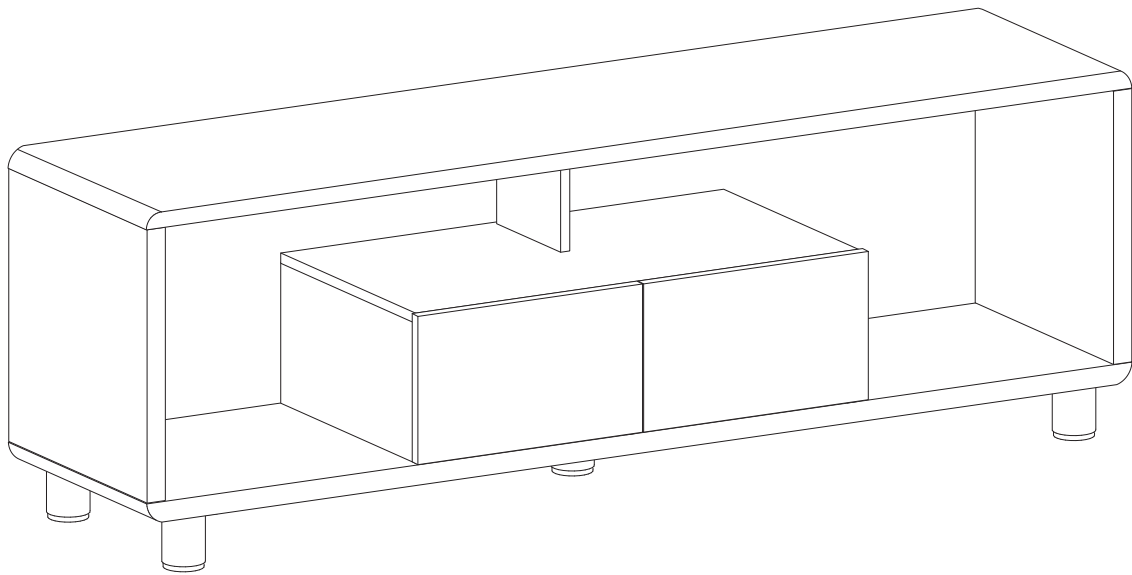
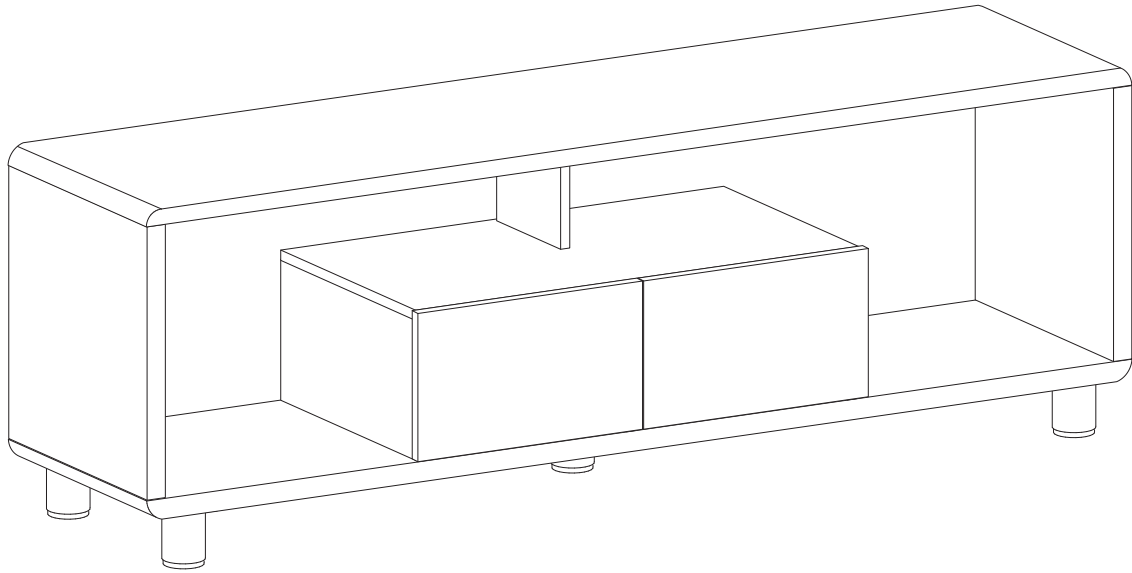
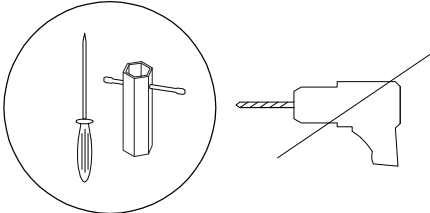

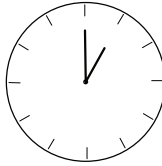
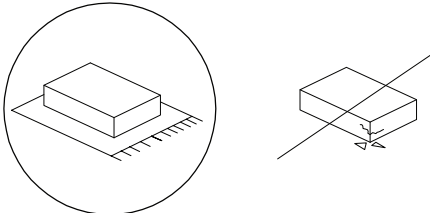


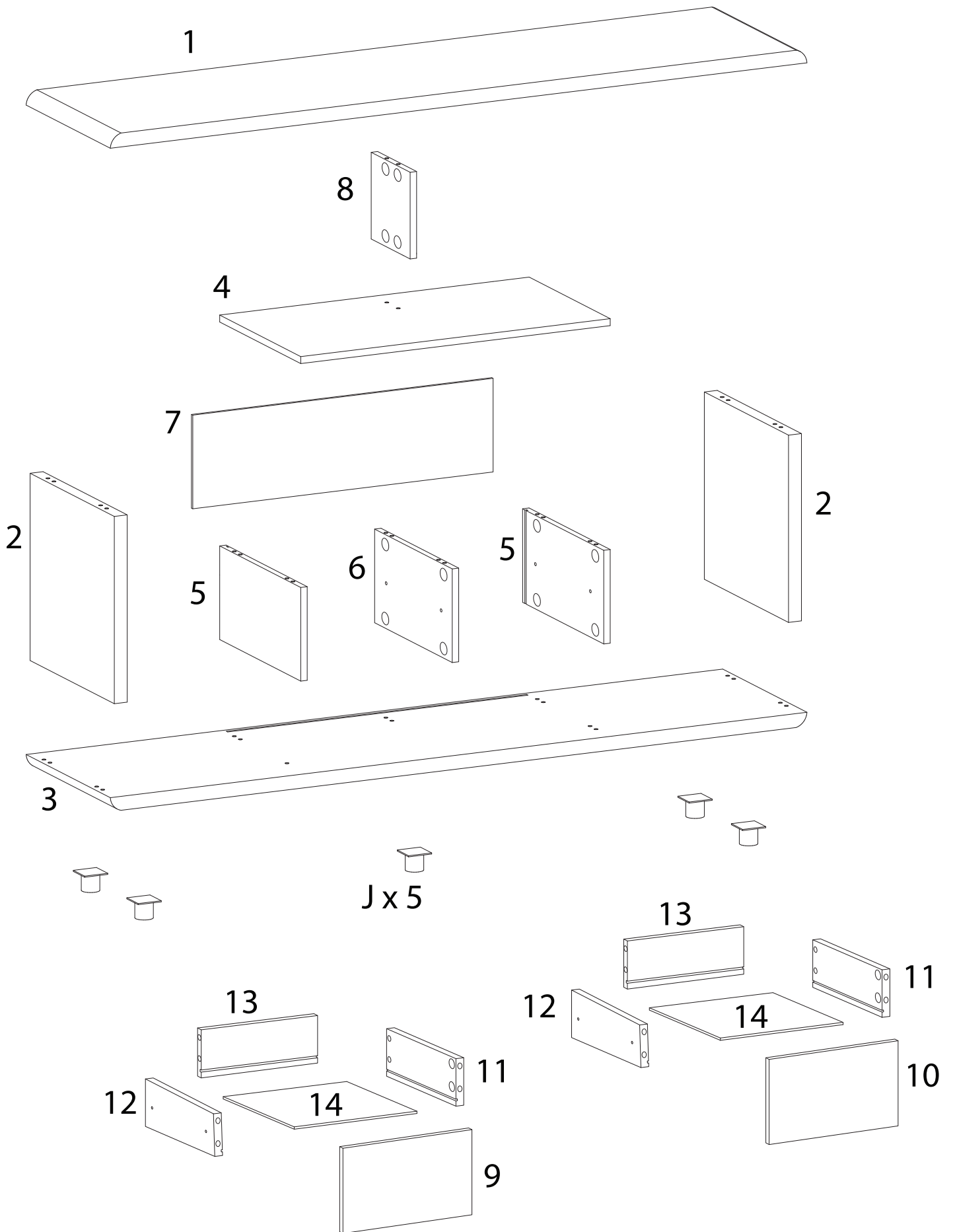


# KNOX

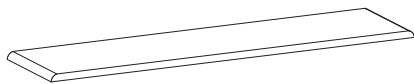




		
		<b>60'</b>
		
		<b>2</b>

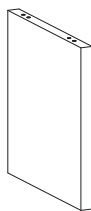


1



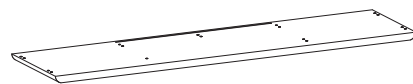
x 1

2



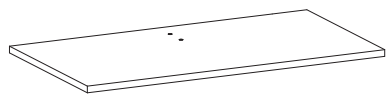
x 2

3



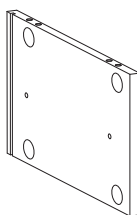
x 1

4



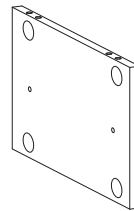
x 1

5



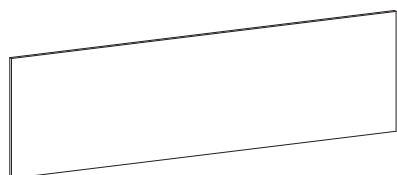
x 2

6



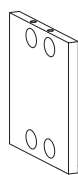
x 1

7



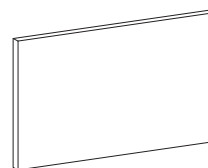
x 1

8



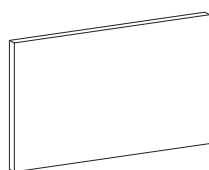
x 1

9



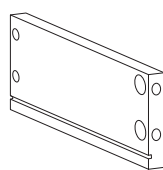
x 1

10



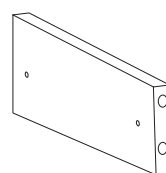
x 1

11



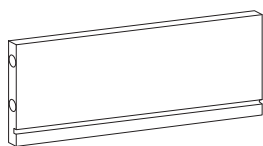
x 2

12



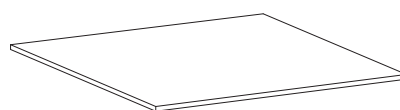
x 2

13



x 2

14



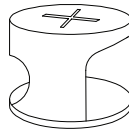
x 2

A1



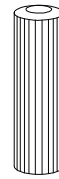
x 32

A2



x 32

B



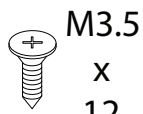
x 20

C



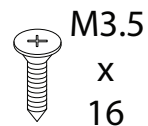
x 4

D



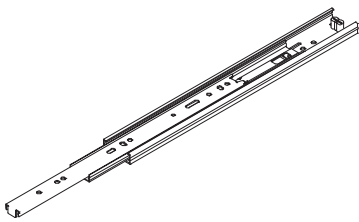
x 16

E



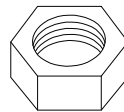
x 20

F



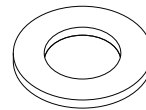
x 4

G



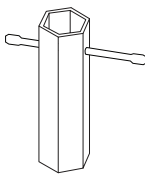
x 4

H



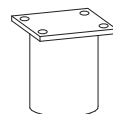
x 4

I



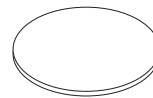
x 1

J



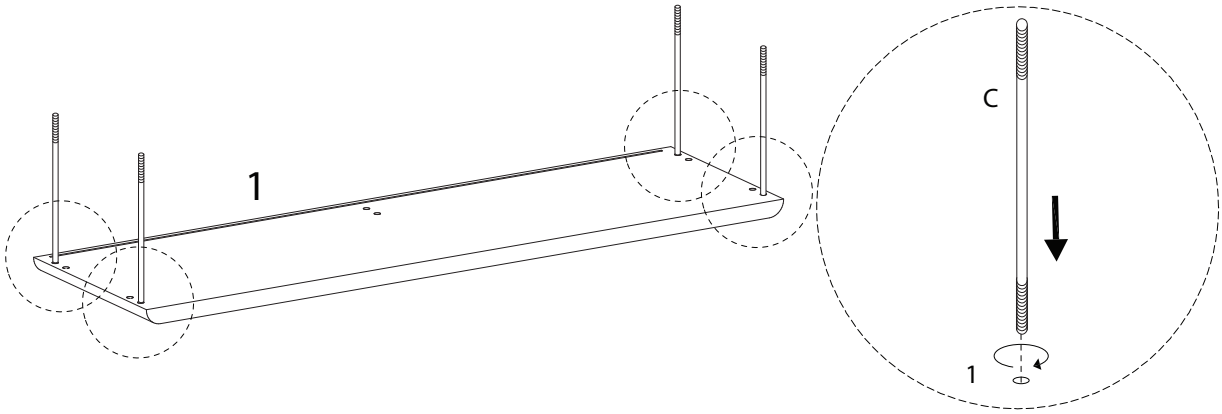
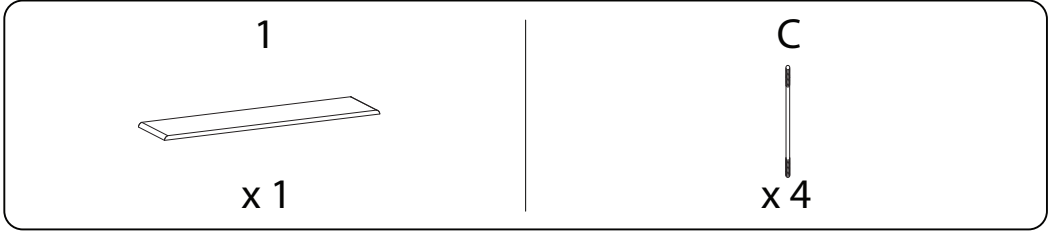
x 5

K

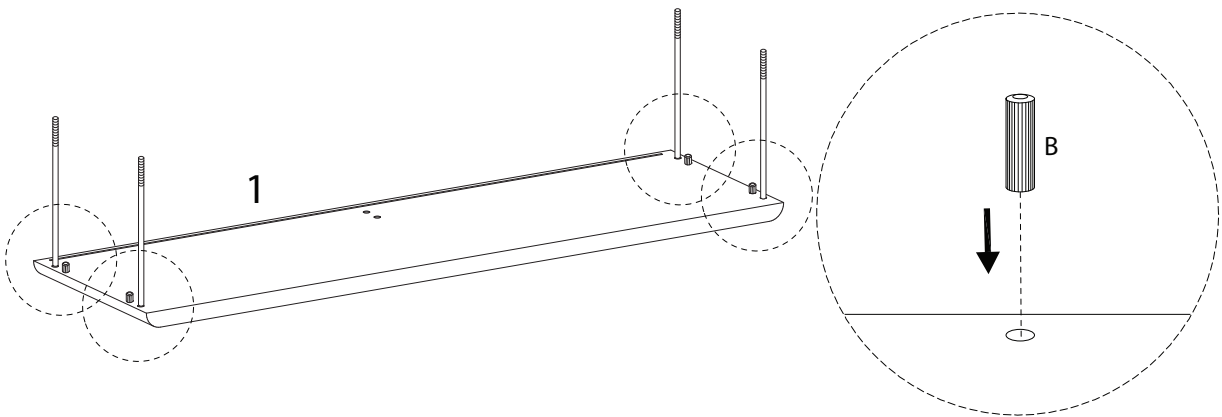
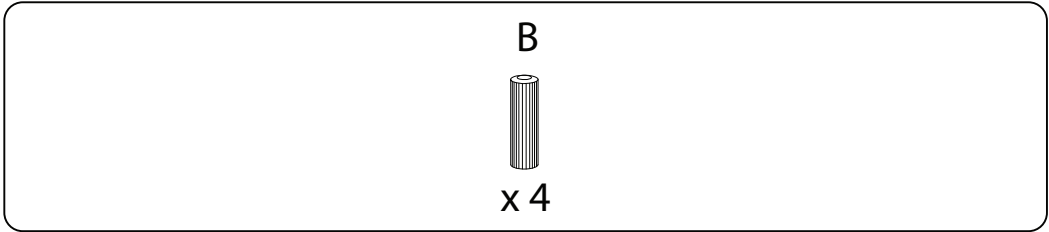


x 4

1



2

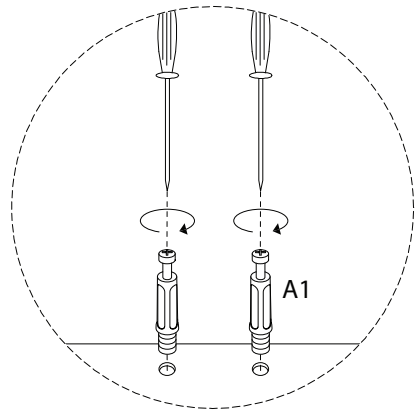
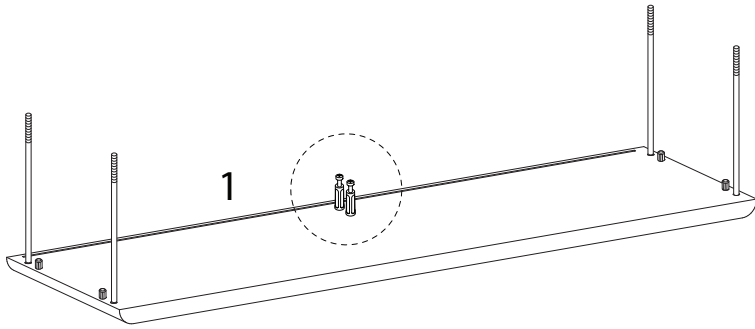


3

A1



x 2



4

3



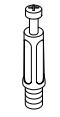
x 1

4



x 1

A1

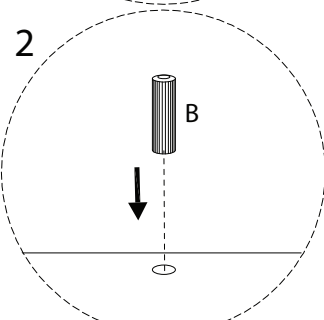
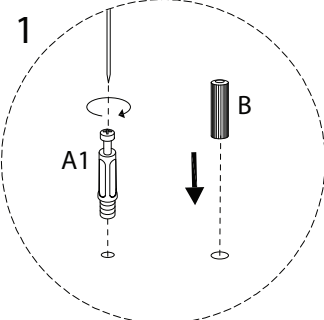
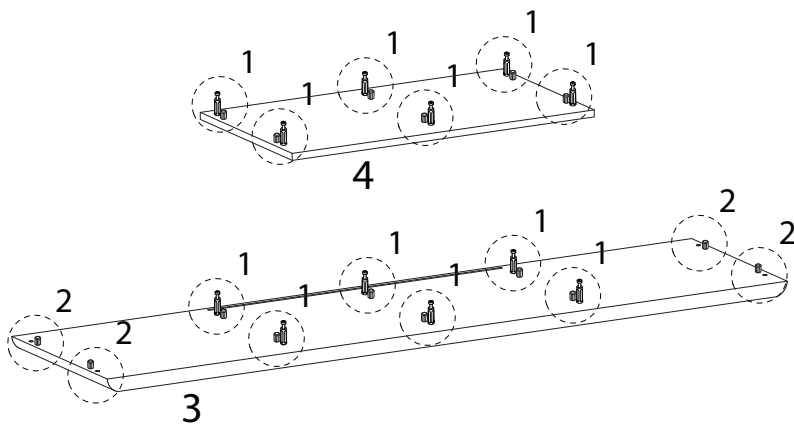


x 12

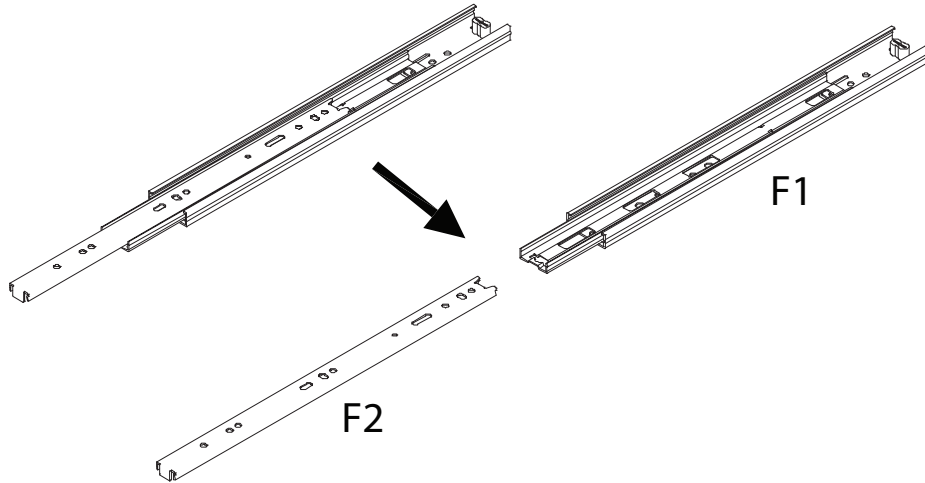
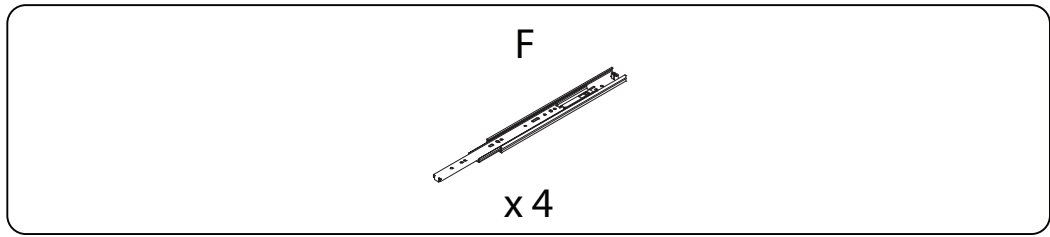
B



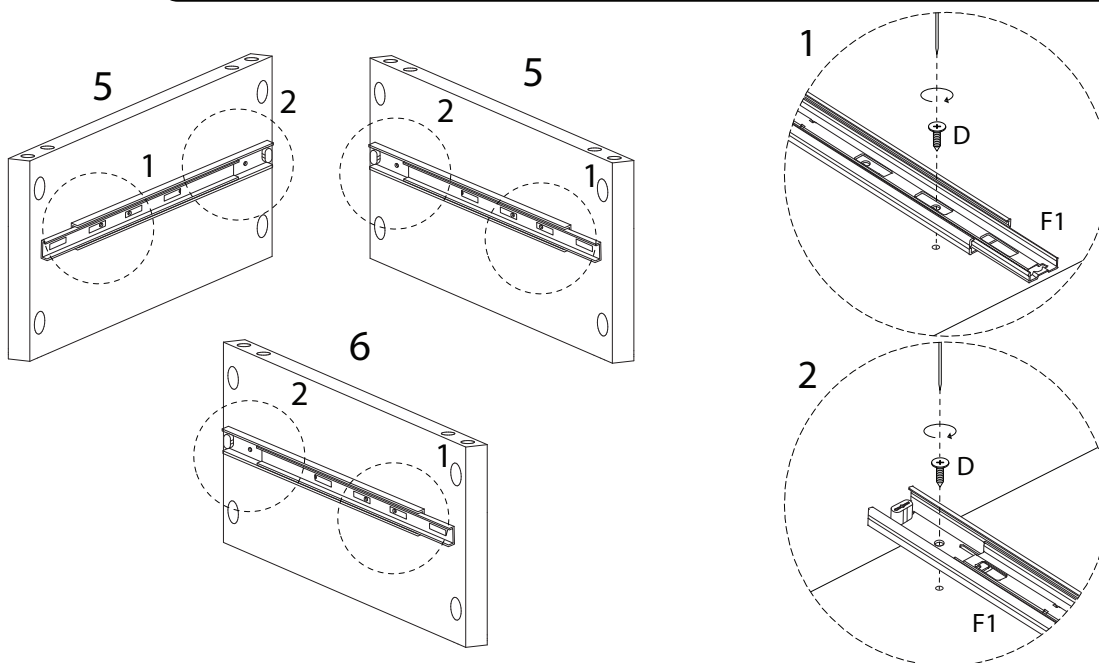
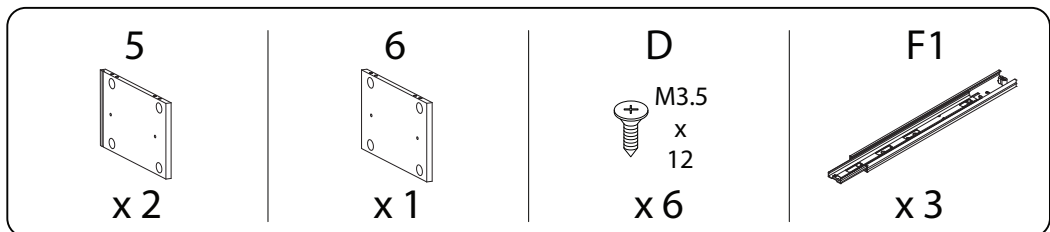
x 16



5



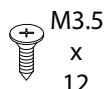
6





7

D

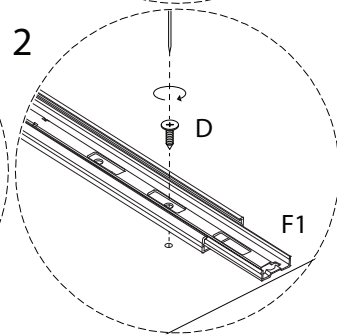
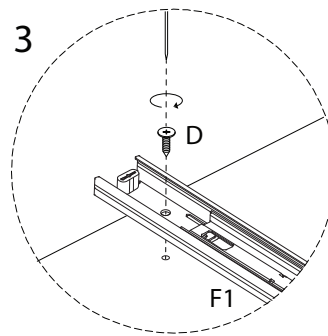
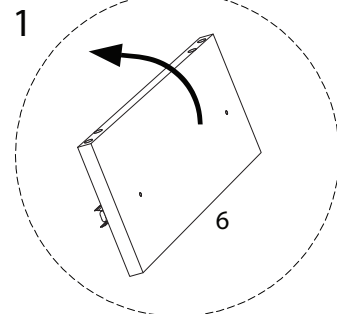
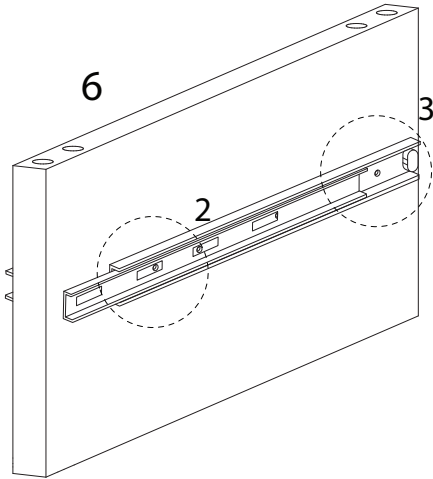


x 2

F1



x 1

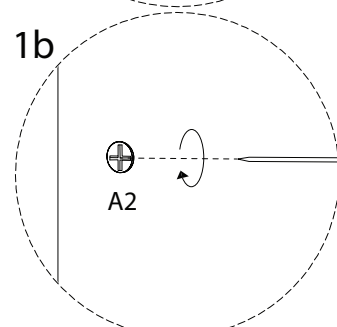
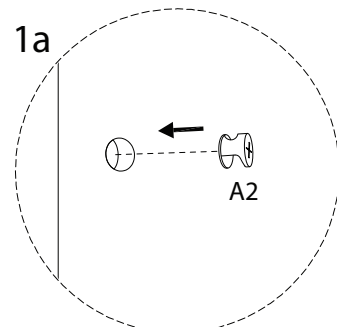
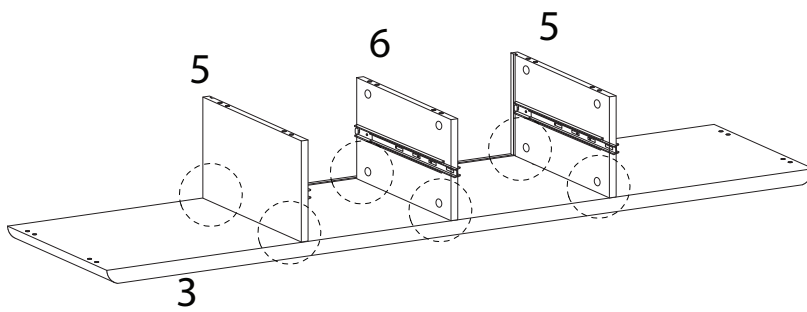


8

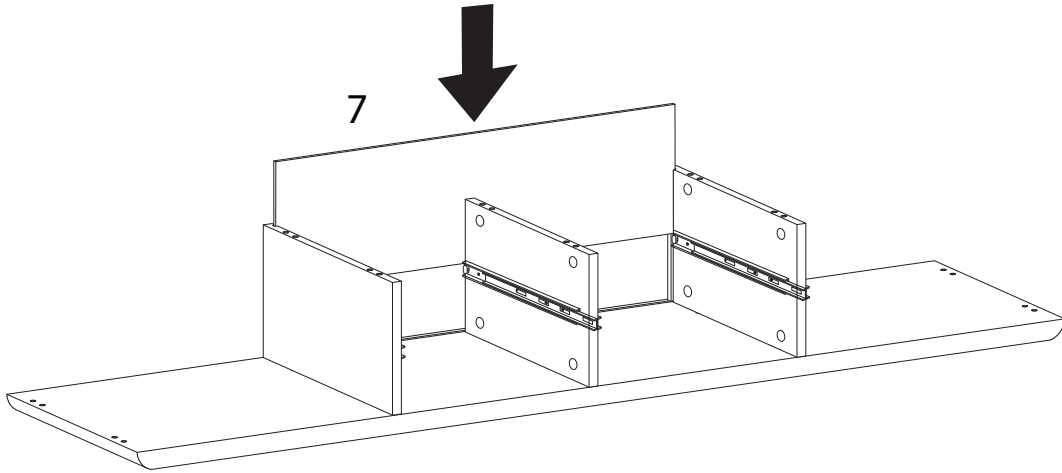
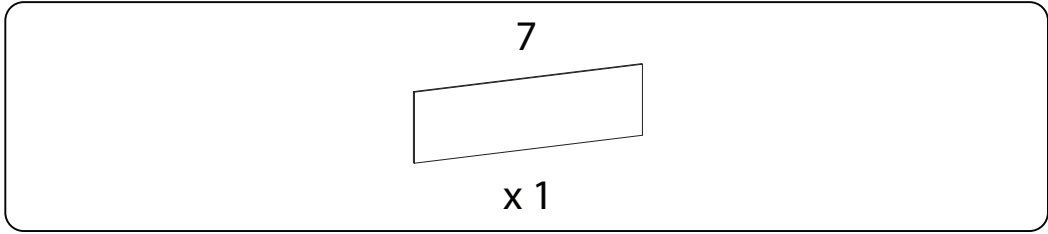
A2



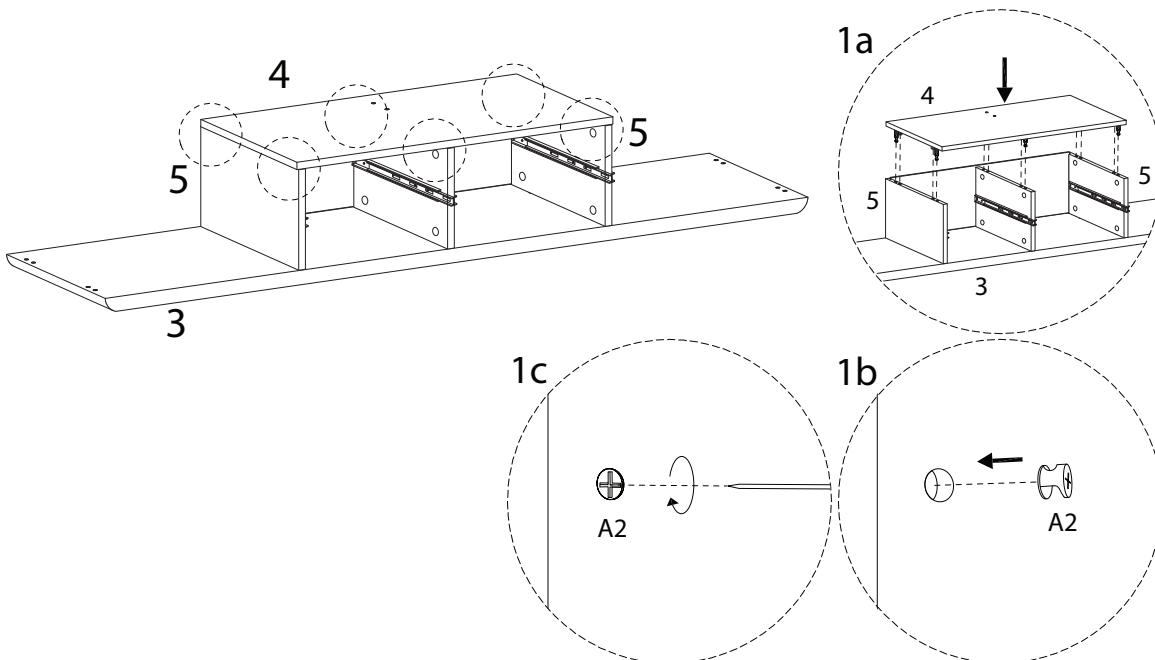
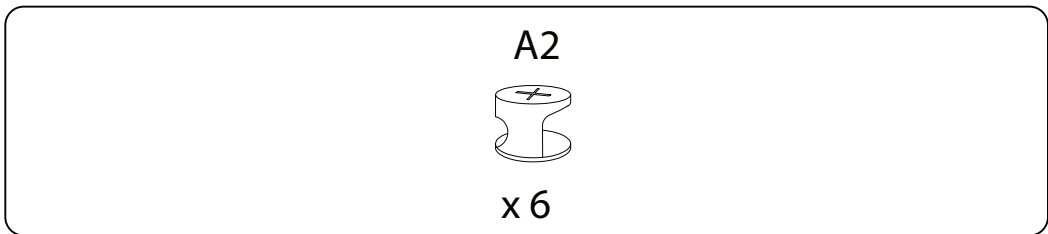
x 6



9

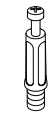


10

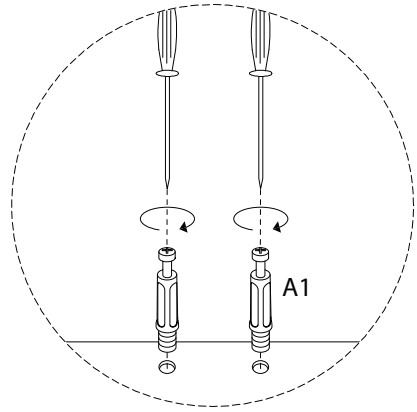
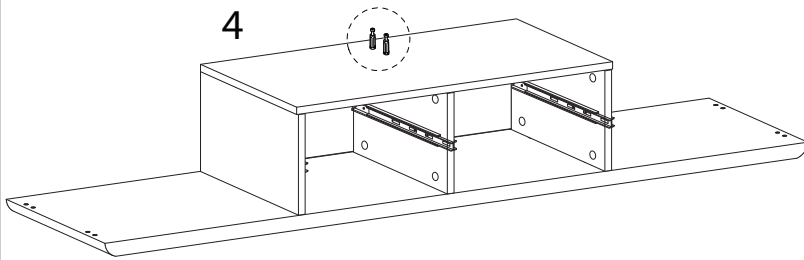


11

A1



x 2



12

2

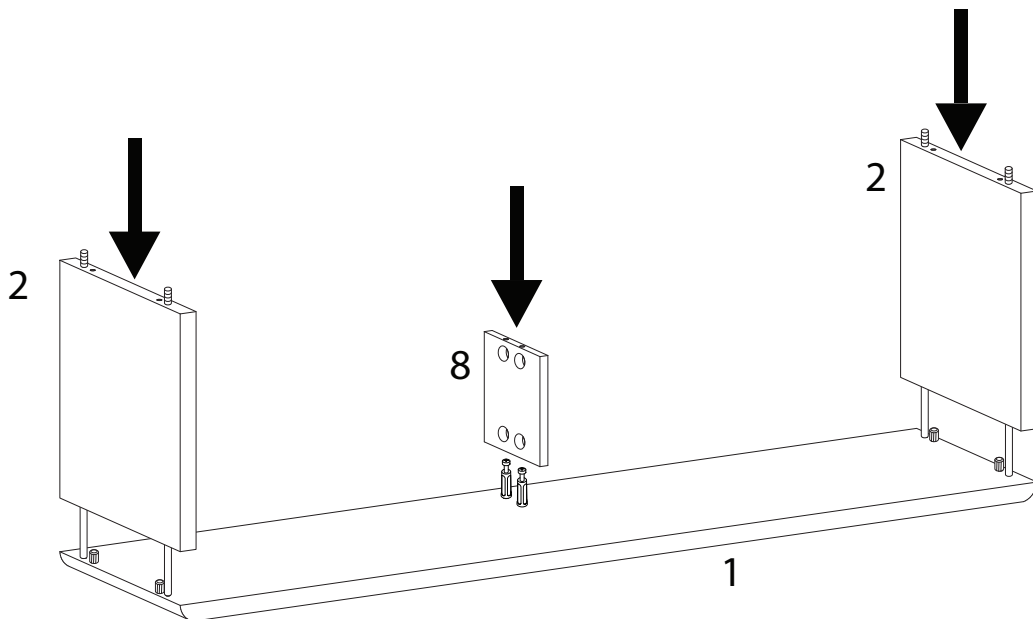


x 2

8



x 1

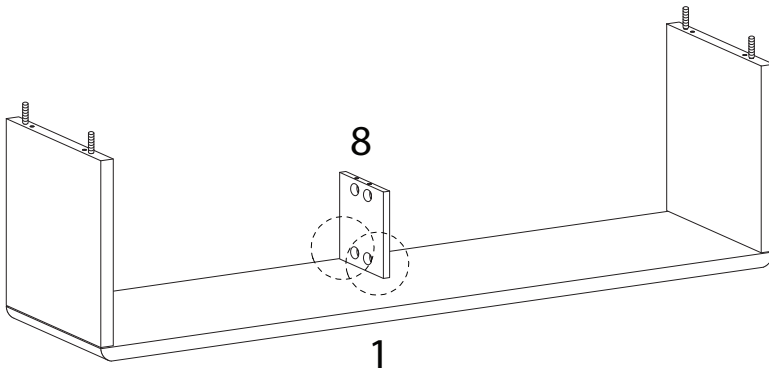


13

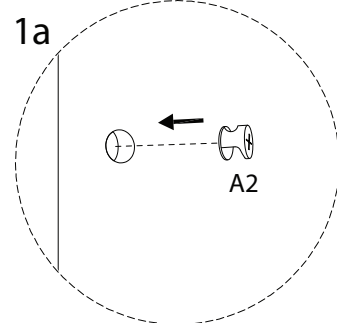
A2



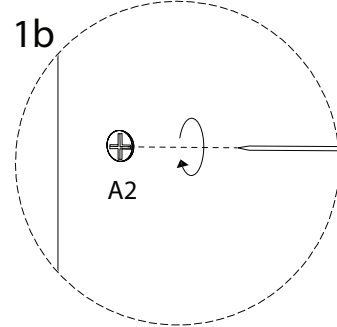
x 2



1a



1b



14

G



x 4

H

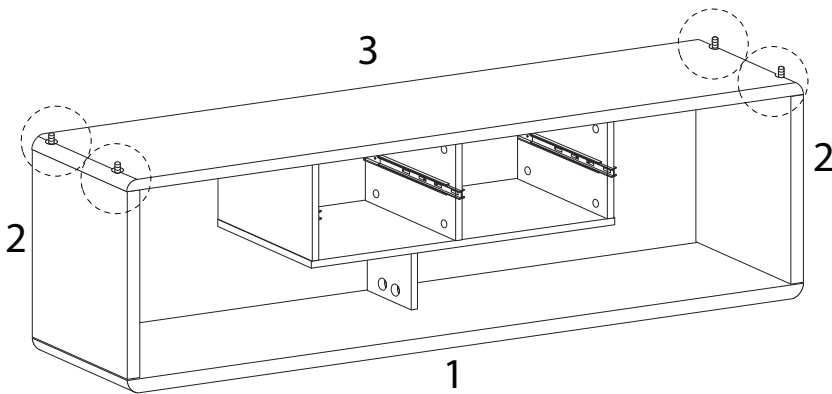


x 4

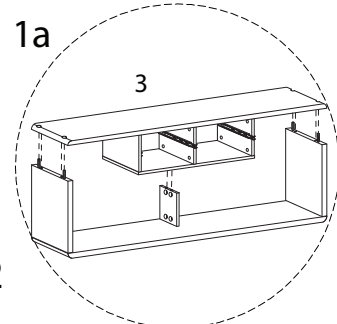
I



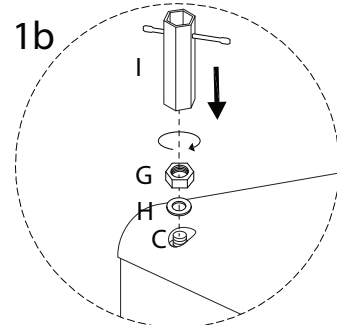
x 1



1a



1b

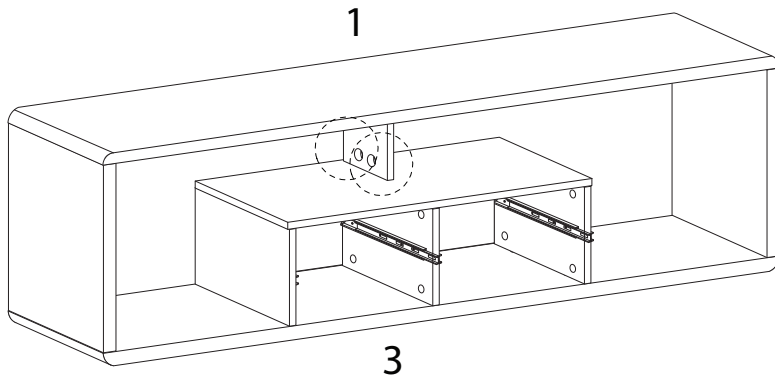


15

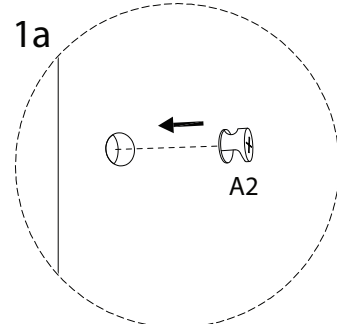
A2



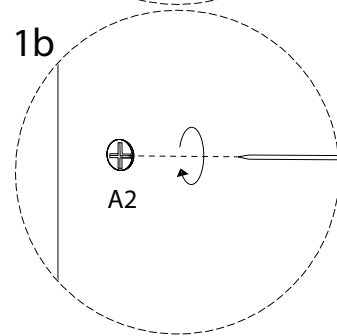
x 2



1a



1b

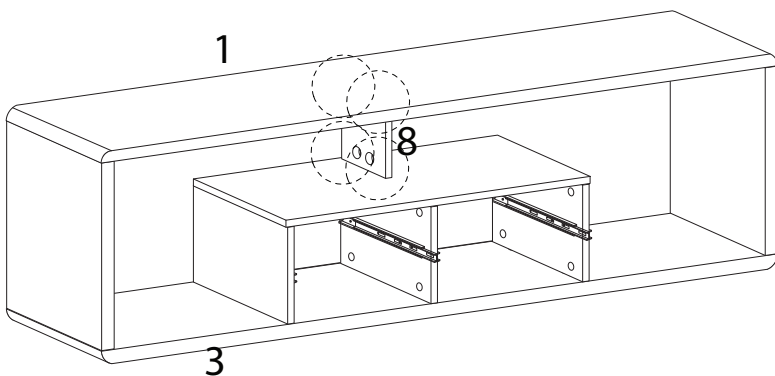


16

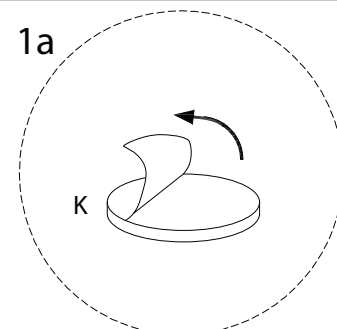
K



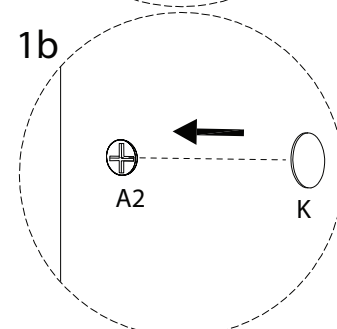
x 4



1a

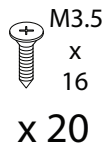


1b

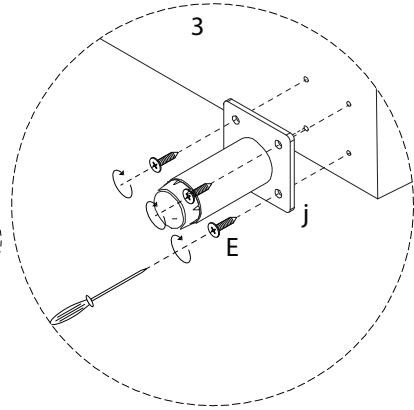
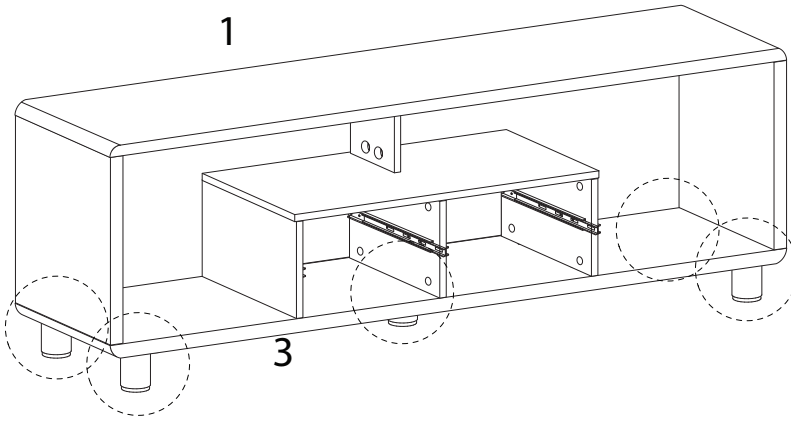


17

E

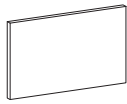


J



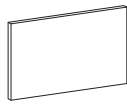
18

9



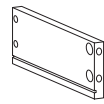
x 1

10



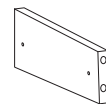
x 1

11



x 2

12

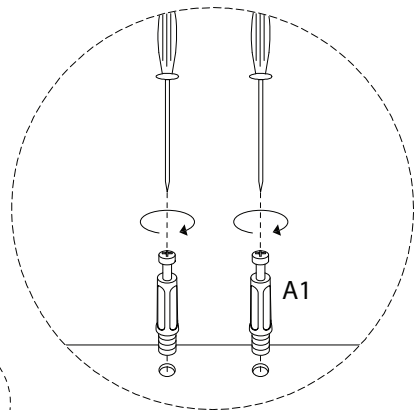
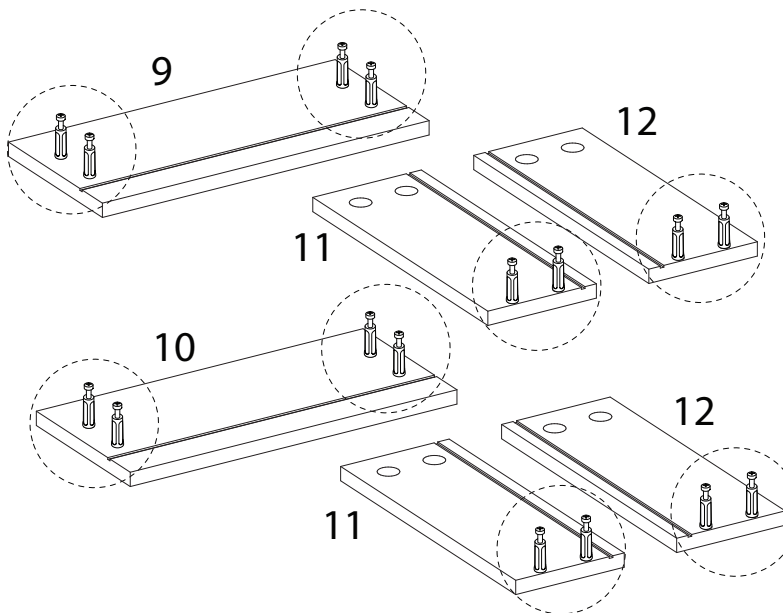


x 2

A1

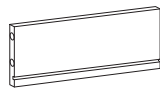


x 16



19 x 2

13

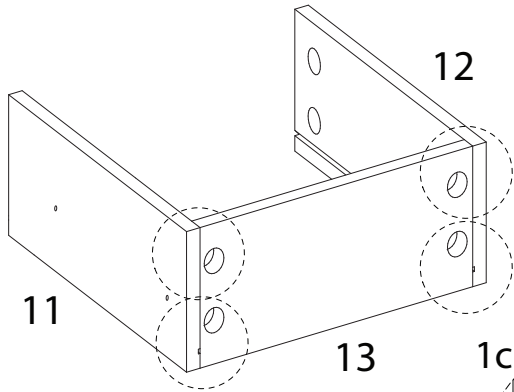


x 1

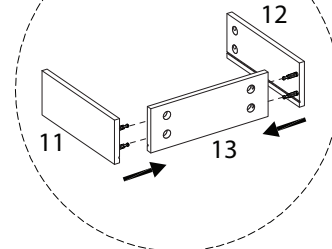
A2



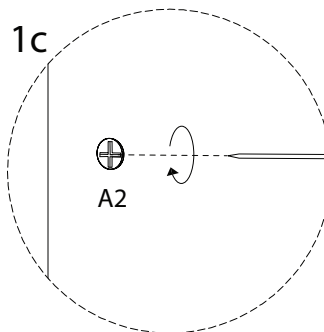
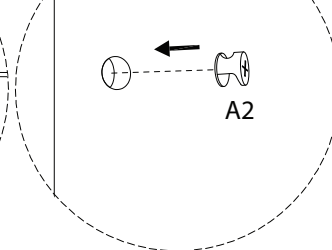
x 4



1a

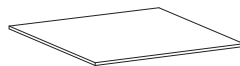


1b

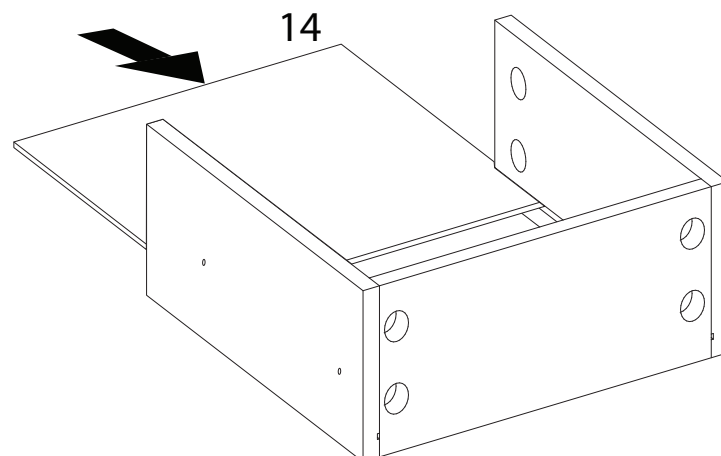


20 x 2

14



x 1

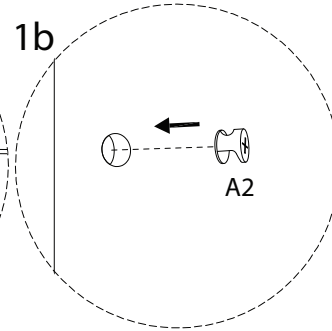
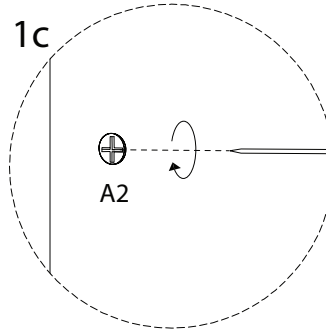
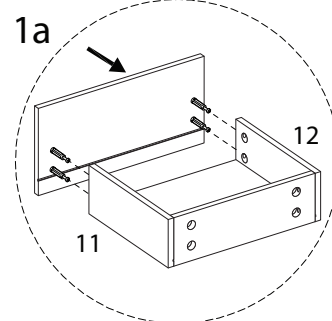
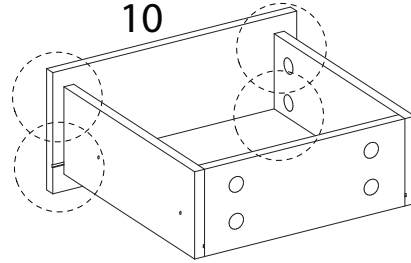
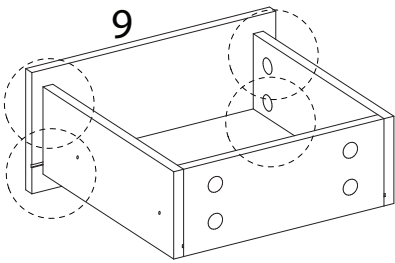


21

A2

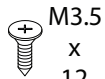


x 8



22 x 2

D



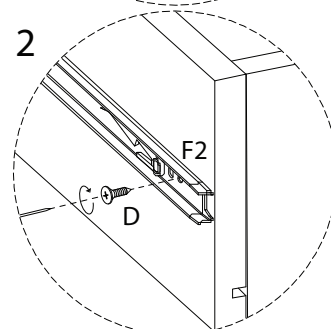
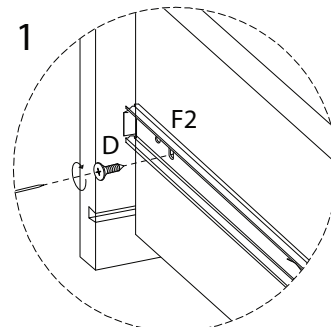
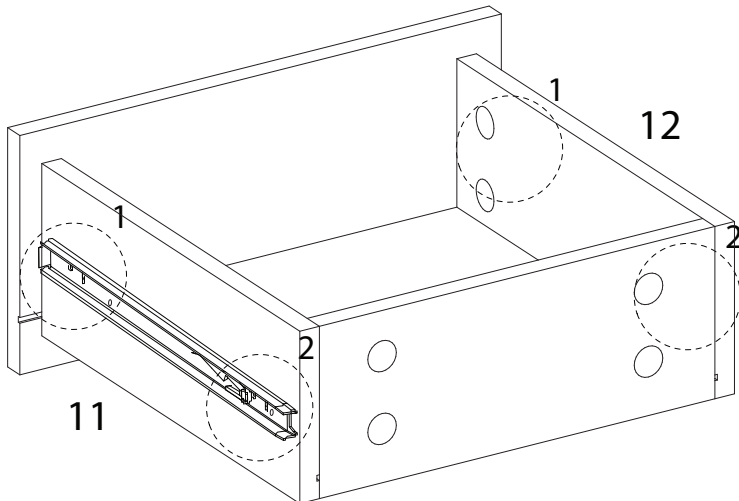
x 12

x 4

F2



x 2





23

