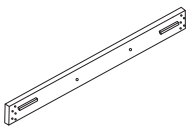
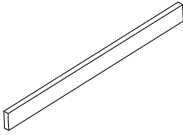
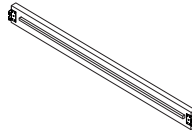
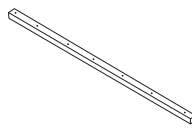


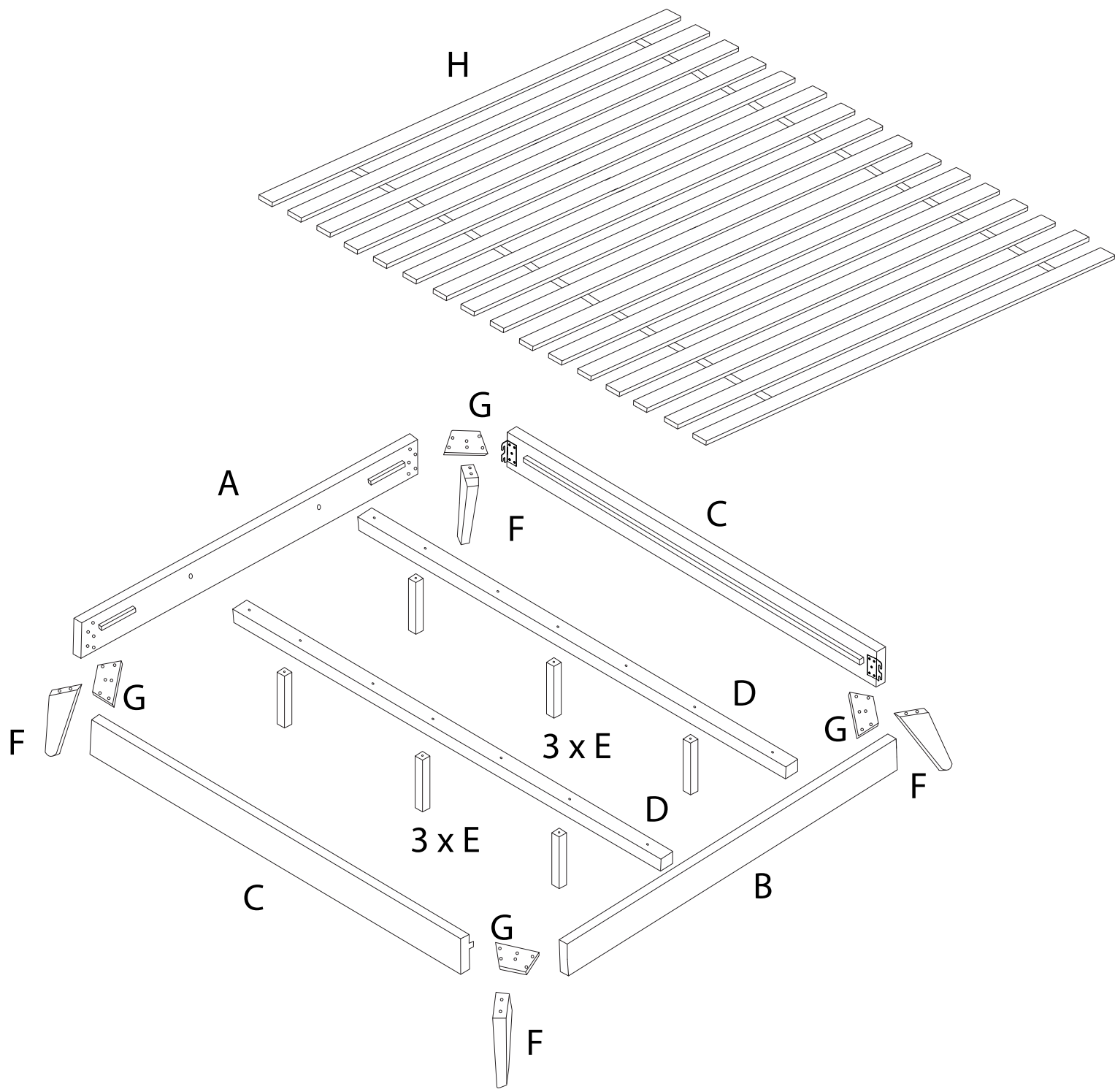
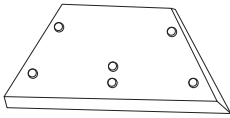
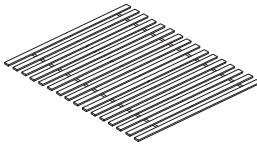
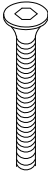
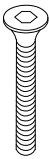
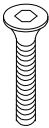
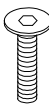

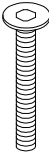
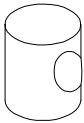
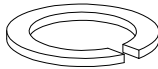
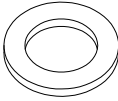
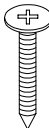
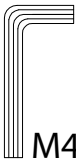

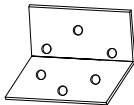
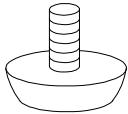


Diagram illustrating assembly steps and safety warnings:

- Step 1:** Shows an L-shaped metal bracket being inserted into a slot. A crossed-out power drill icon indicates that a drill should not be used for this step. A warning triangle with an exclamation mark is positioned to the right.
- Step 2:** Shows a rectangular block being placed on a surface. A crossed-out icon of the block being pushed down indicates that force should not be applied. A warning triangle with an exclamation mark is positioned to the right.
- Time:** A clock icon is shown next to the text "45'", indicating the estimated assembly time.
- Personnel:** An icon of a person is shown next to the number "2", indicating that two people are required for assembly.

A  x 1	B  x 1	C  x 2	D  x 2	E  x 6	F  x 4
---	---	---	---	---	---



<p>G</p>  <p>x 4</p>	<p>H</p>  <p>x 1</p>	<p>1</p>  <p>M6 x 100</p> <p>x 6</p>	<p>2</p>  <p>M6 x 50</p> <p>x 16</p>
<p>3</p>  <p>M6 x 40</p> <p>x 22</p>	<p>4</p>  <p>M6 x 20</p> <p>x 8</p>	<p>5</p>  <p>M6 x 15</p> <p>x 8</p>	<p>6</p>  <p>M8 x 50</p> <p>x 8</p>
<p>7</p>  <p>x 6</p>	<p>8</p>  <p>x 24</p>	<p>9</p>  <p>x 24</p>	<p>10</p>  <p>M4 x 32</p> <p>x 12</p>
<p>11</p>  <p>M4</p> <p>x 1</p>	<p>12</p>  <p>M5</p> <p>x 1</p>	<p>13</p>  <p>x 4</p>	<p>14</p>  <p>x 6</p>

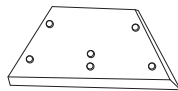
1 x 4

F



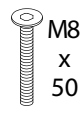
x 1

G



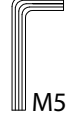
x 1

6

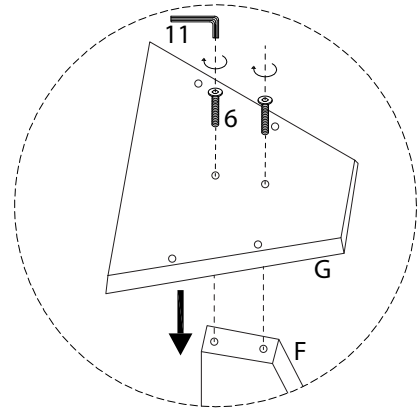
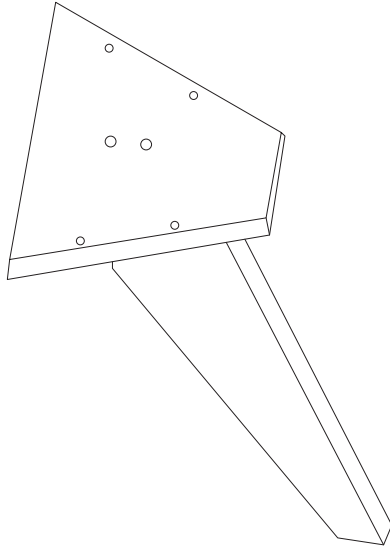


x 2

12

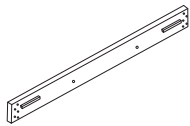


x 1



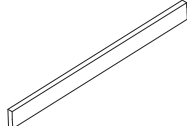
2

A



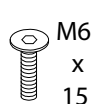
x 1

B



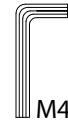
x 1

5



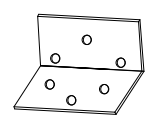
x 4

11

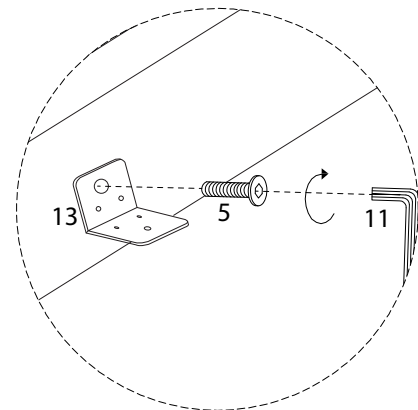
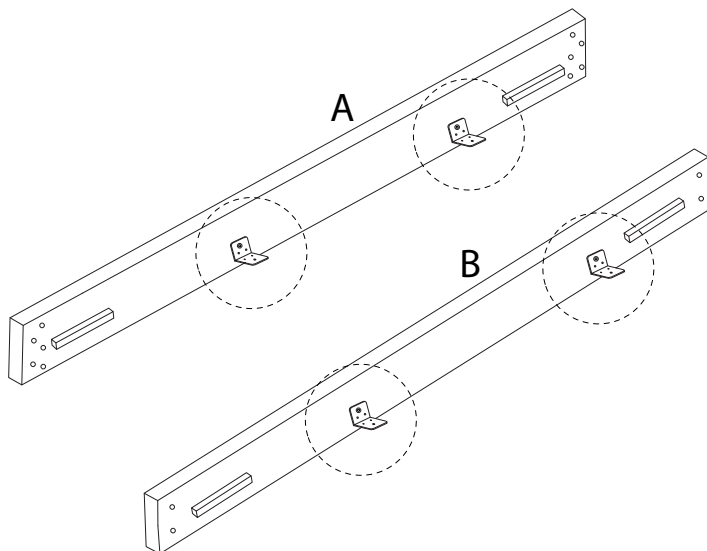


x 1

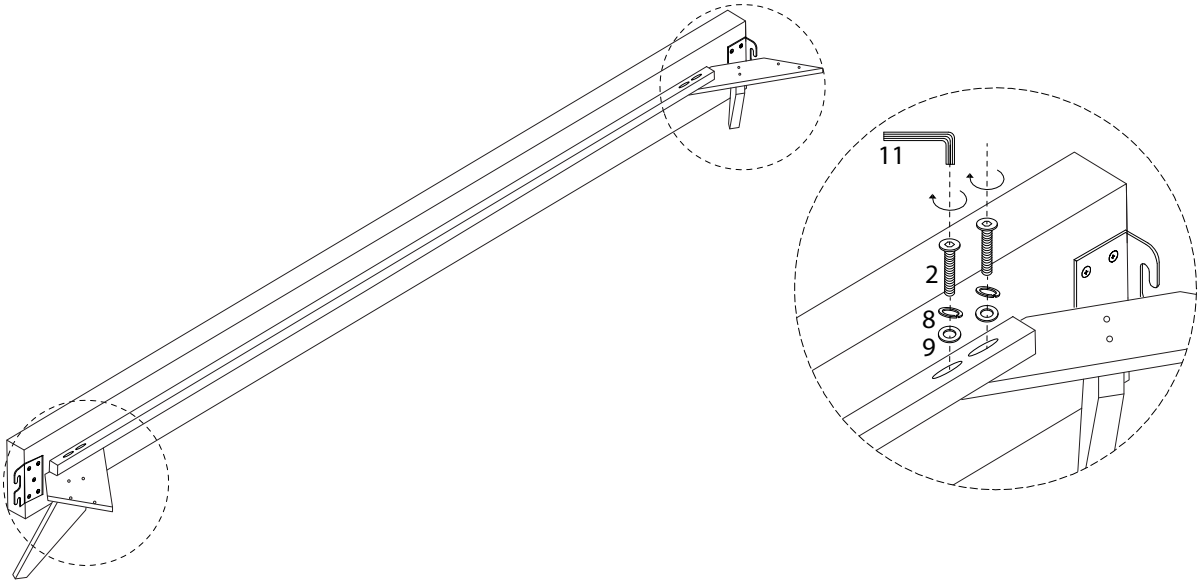
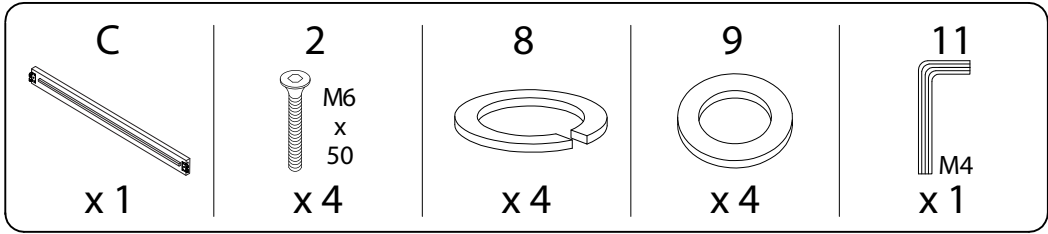
13



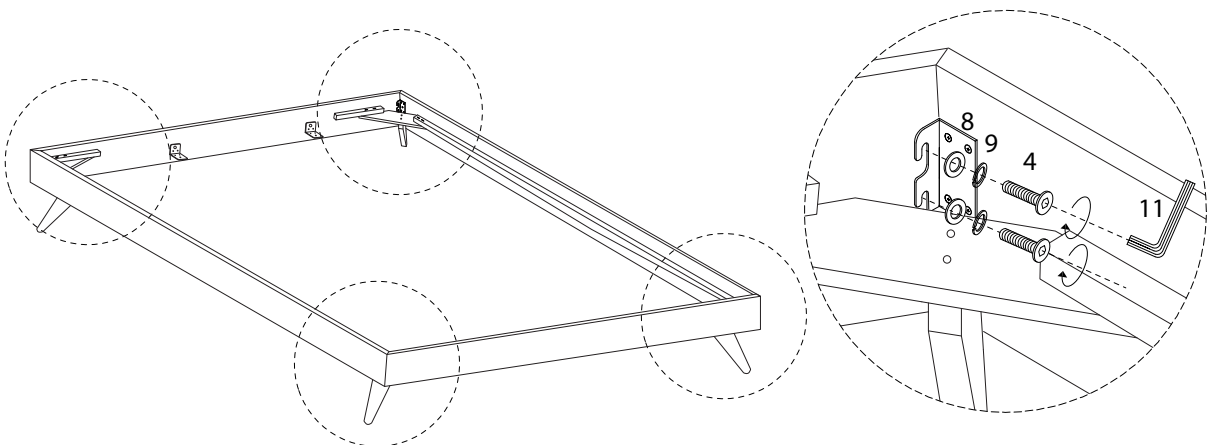
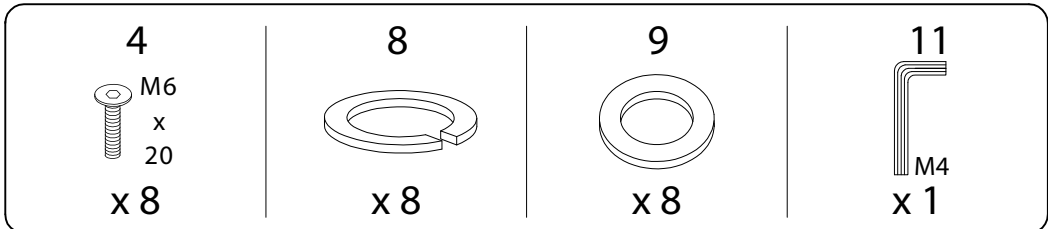
x 4



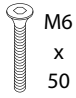
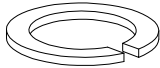


3 x 2

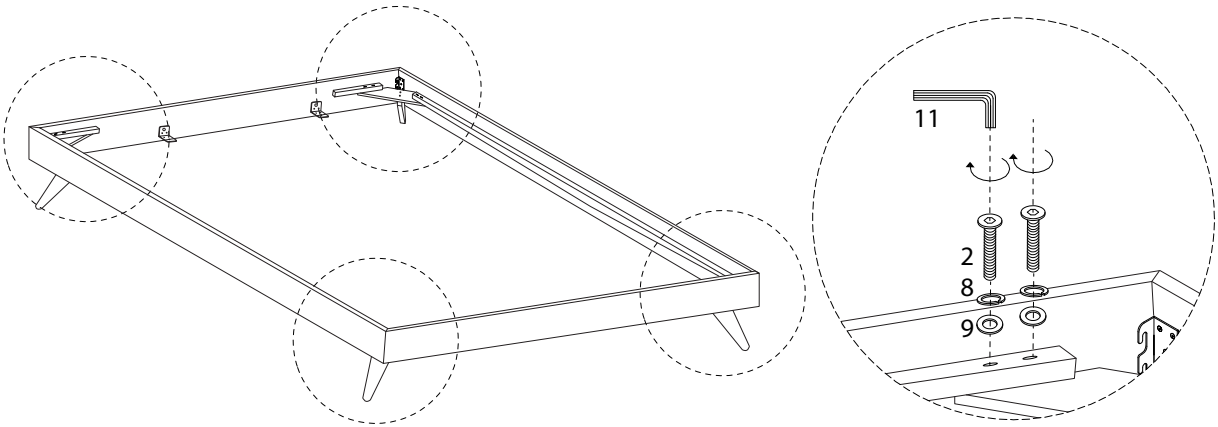


4

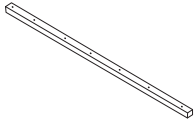




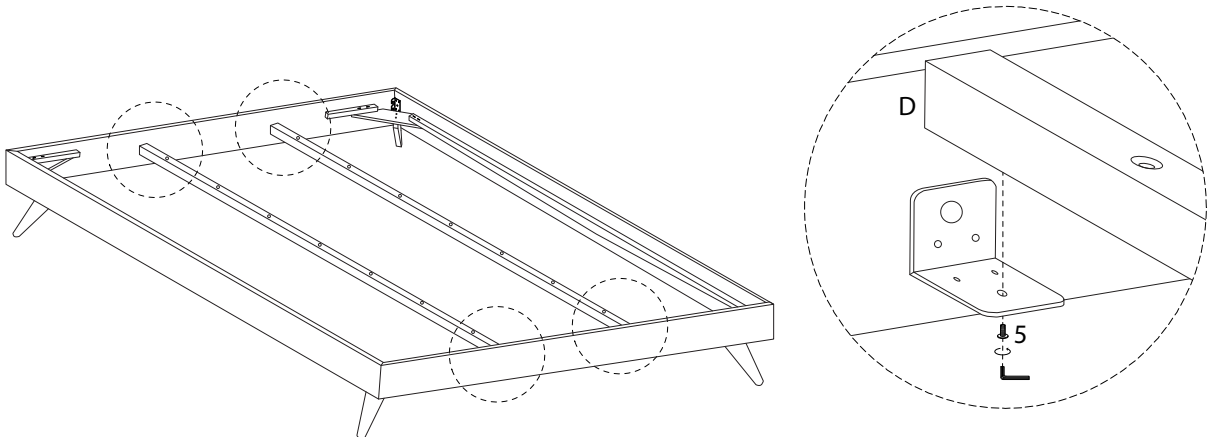
5

<p>2</p>  <p>M6 x 50</p> <p>x 8</p>	<p>8</p>  <p>x 8</p>	<p>9</p>  <p>x 8</p>	<p>11</p>  <p>M4</p> <p>x 1</p>
--	---	--	--



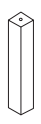
6

<p>D</p>  <p>x 2</p>	<p>5</p>  <p>M6 x 15</p> <p>x 4</p>	<p>11</p>  <p>M4</p> <p>x 1</p>
---	--	--



7 x 6

E

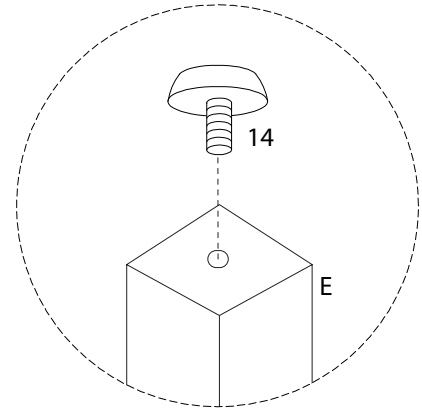
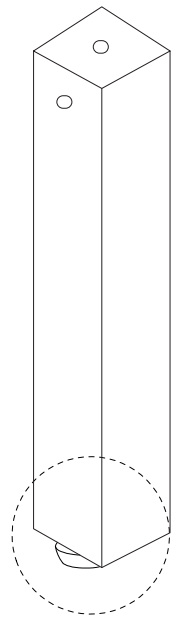


x 1

14

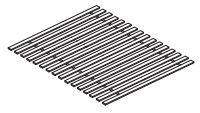


x 1



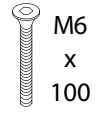
8

H



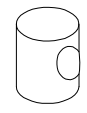
x 1

1

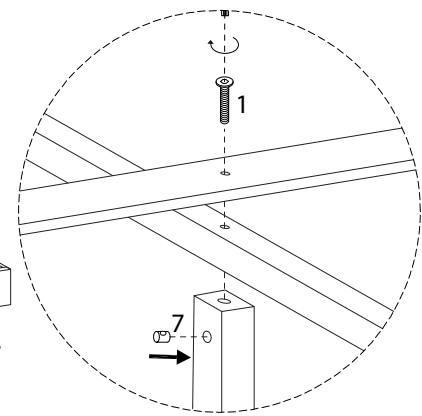
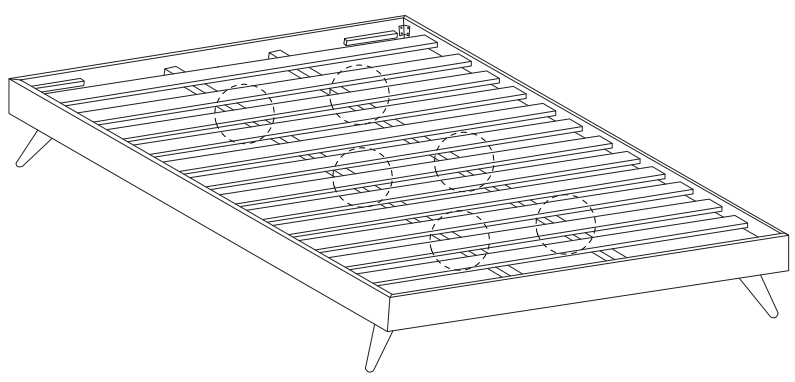


x 6

7



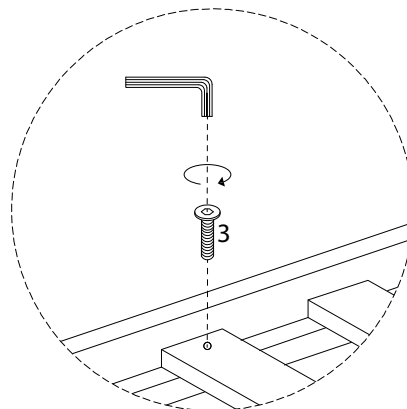
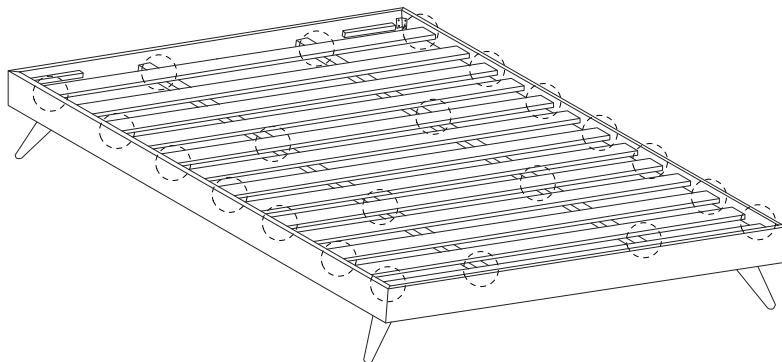
x 6



9

3

M6
x
40
x 22



10

10

M4
x
32
x 12

