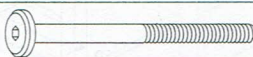

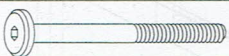



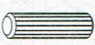

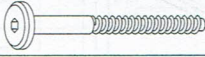

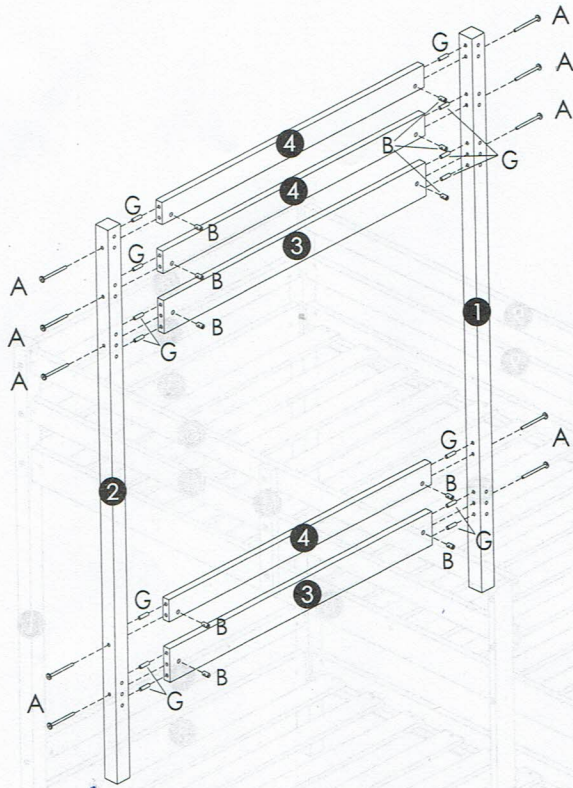





A		M6x80	42
B			42
C		M6x70	6
D		M6x25	6
E		Φ8x20	12

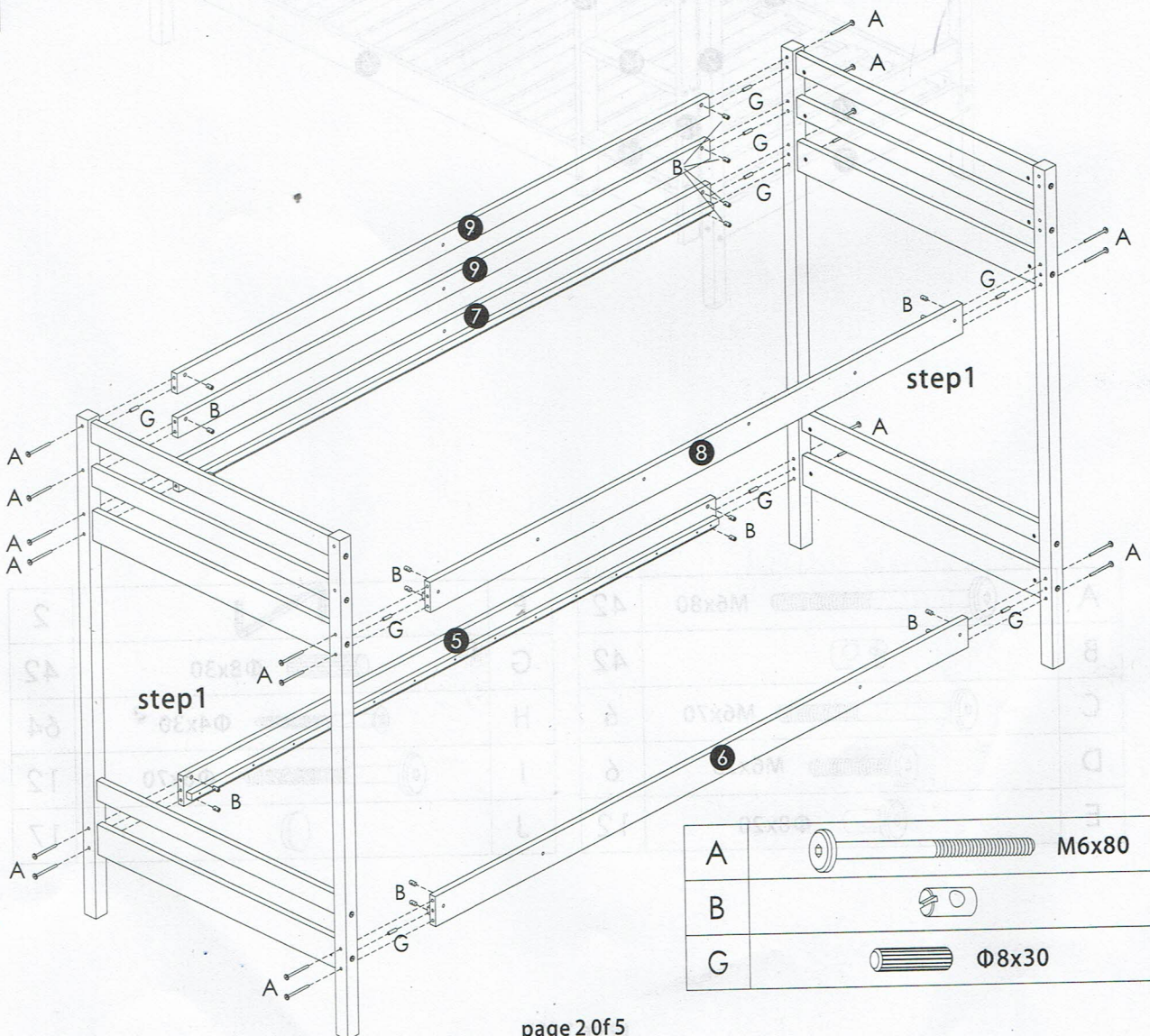
F			2
G		Φ8x30	42
H		Φ4x30	64
I		Φ6x70	12
J			17




step1 $\times 2$



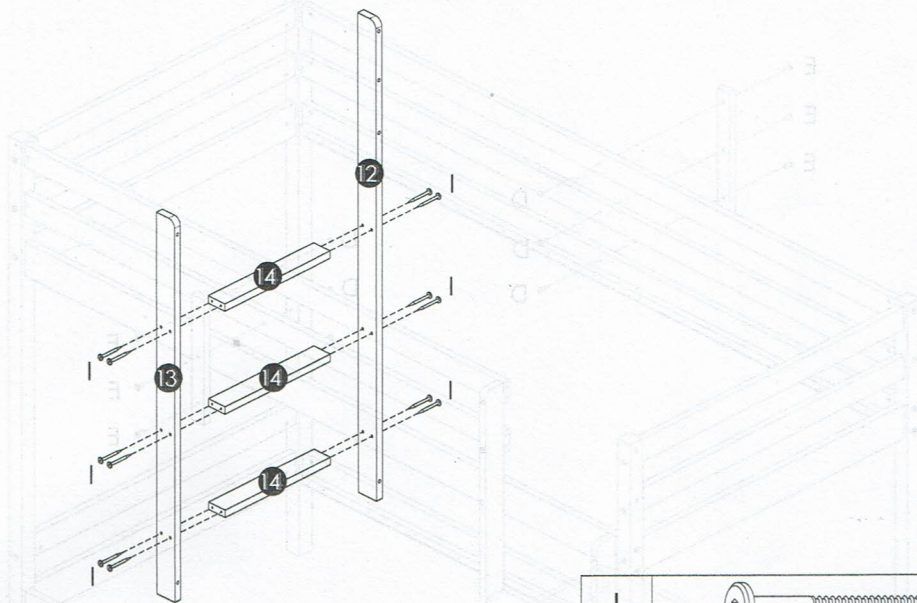
A		M6x80	10
B			10
G		$\Phi 8 \times 30$	14


step2



A		M6x80	20
B			20
G		$\Phi 8 \times 30$	12

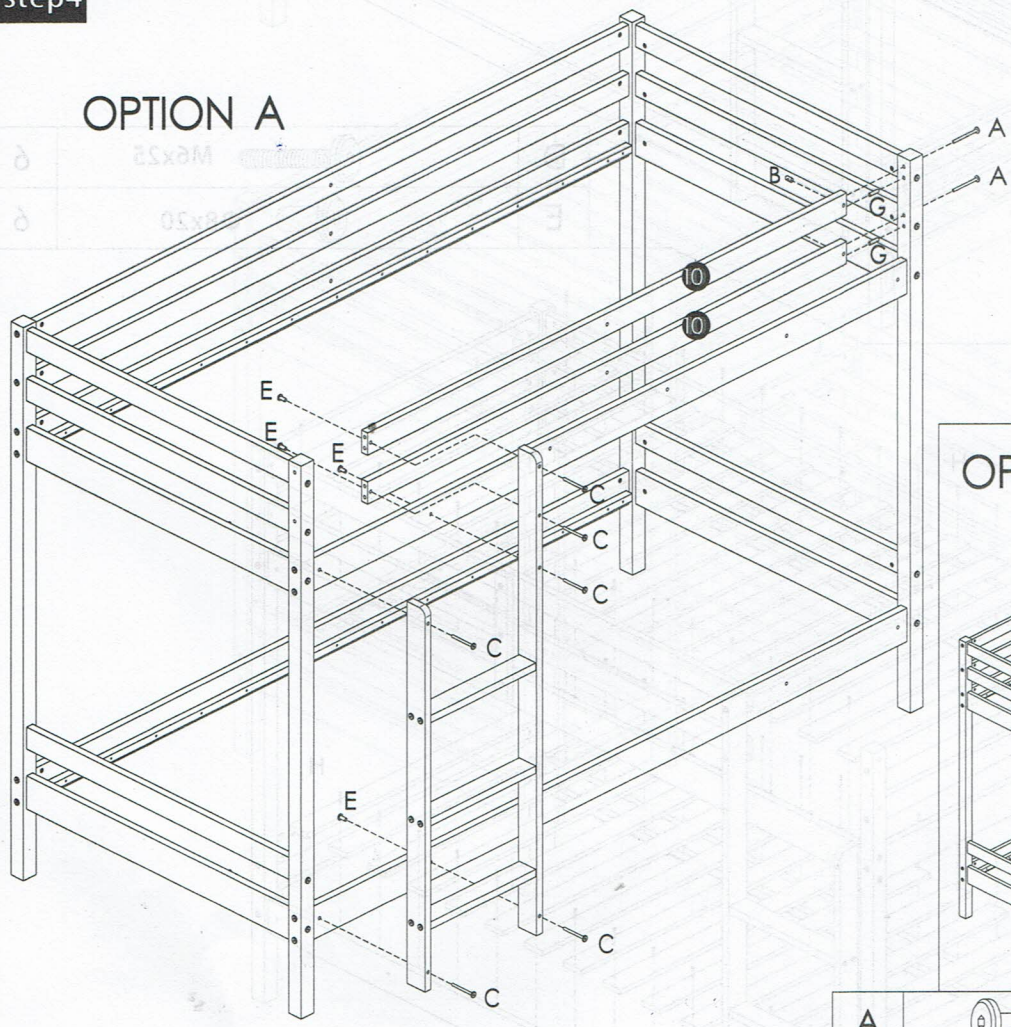
step3



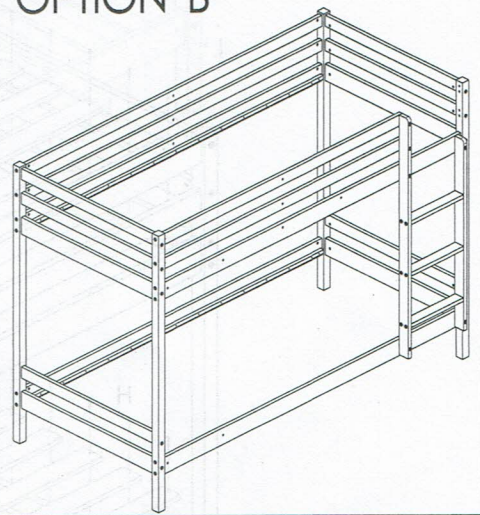
I		Φ6x70	12
---	---	-------	----



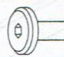


step4

OPTION A

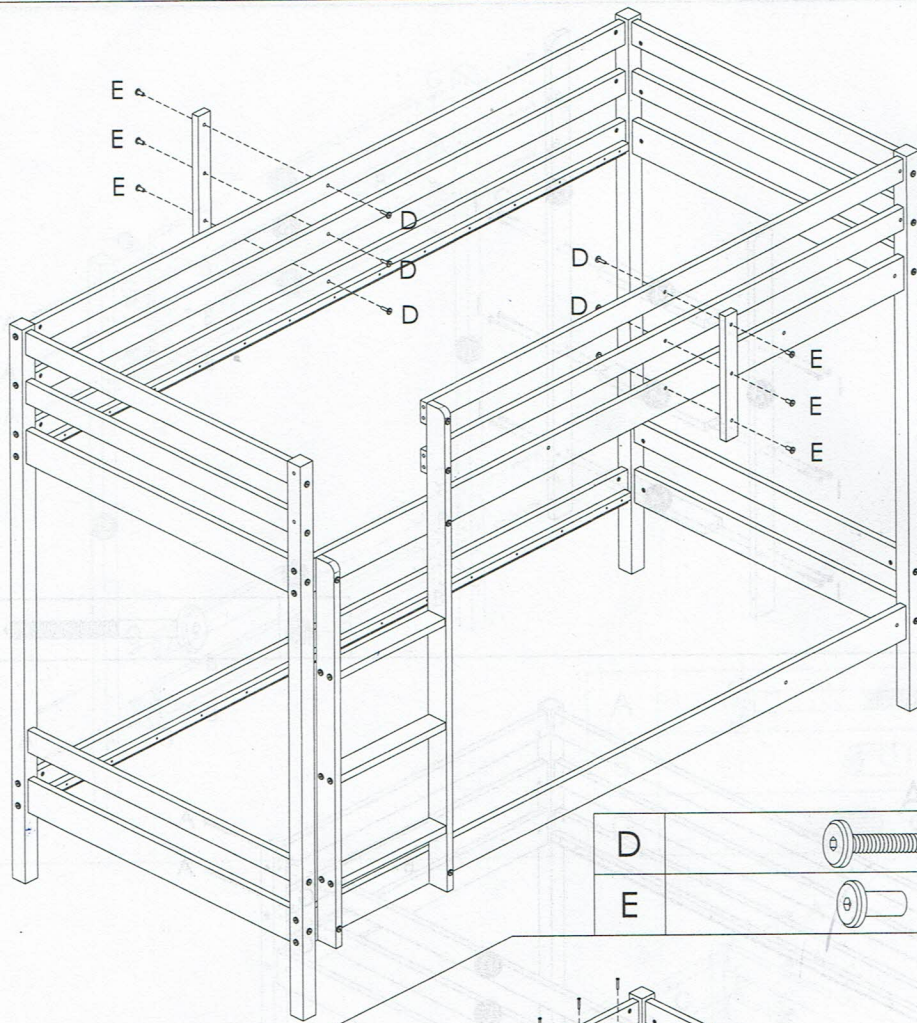



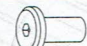
OPTION B



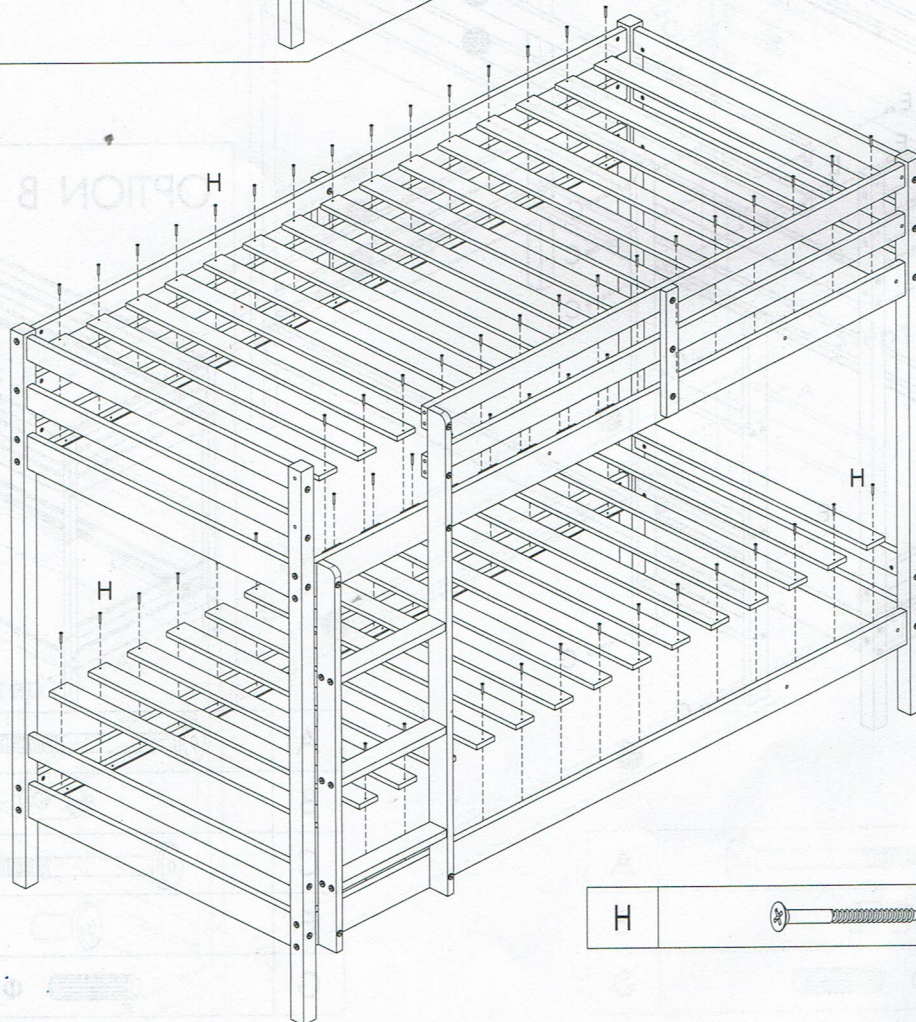
A		M6x80	2
B			2
C		M6x70	6
E		Φ8x20	6
G		Φ8x30	2

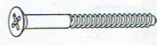
step5

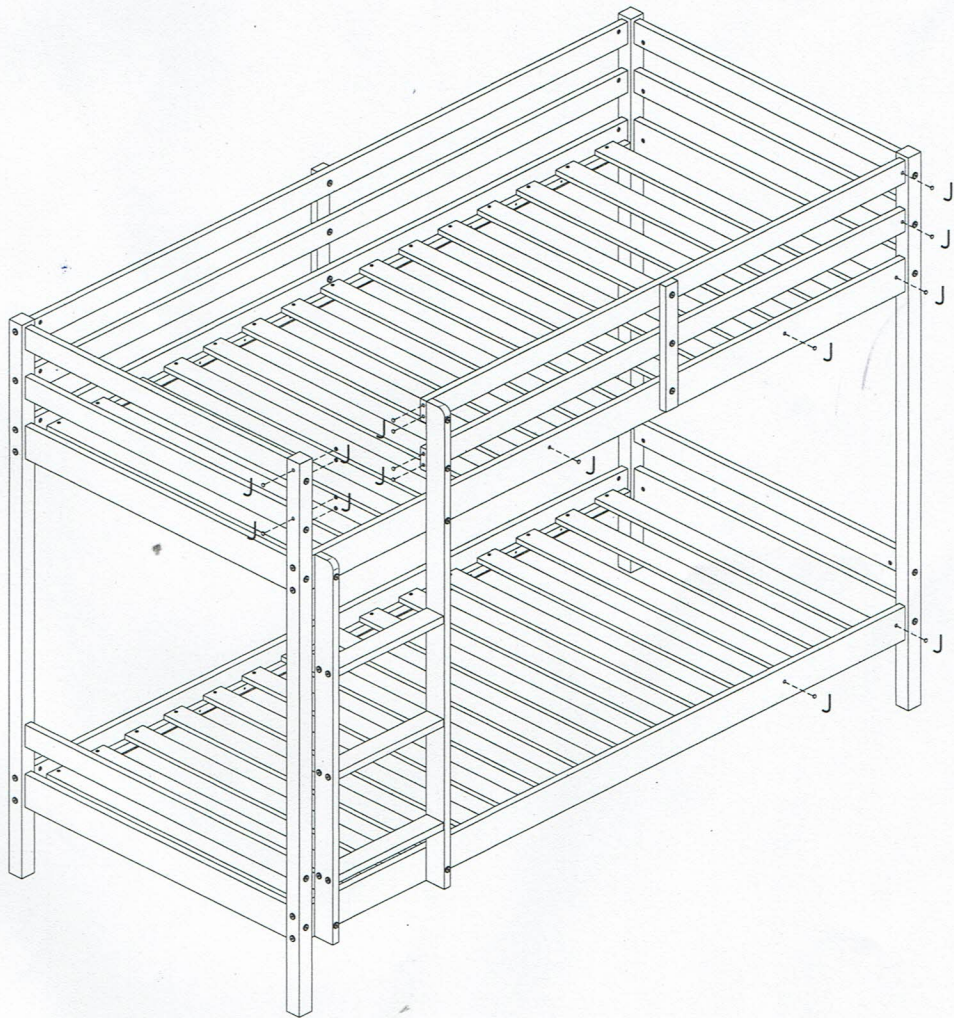


D		M6x25	6
E		Φ8x20	6

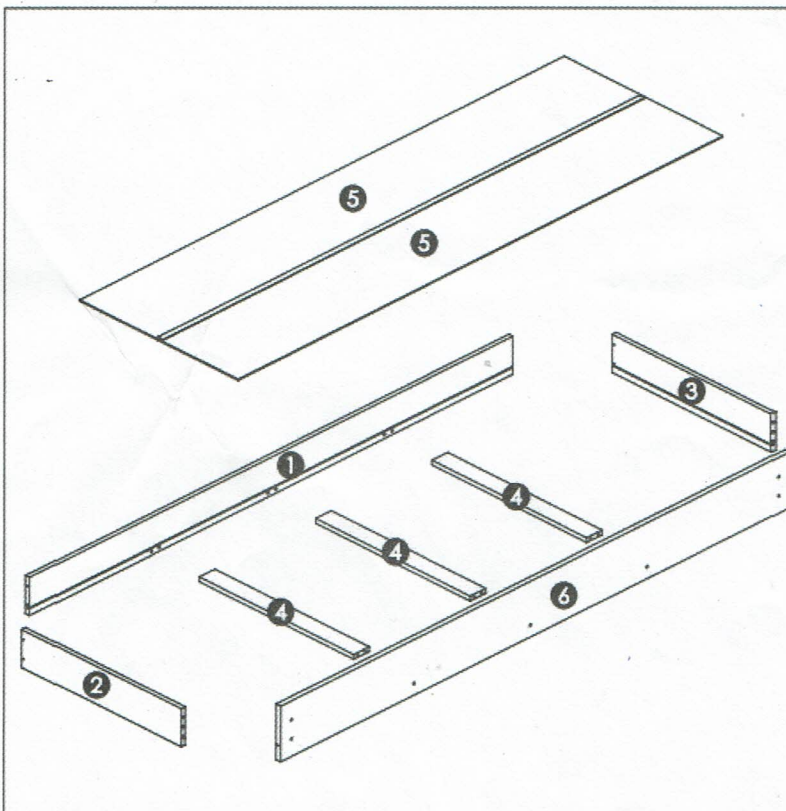
step6



H		Φ4x30	64
---	---	-------	----



J		17
---	--	----



A		4
B		8
C		10
D		4
E		8
F		1
G		1

