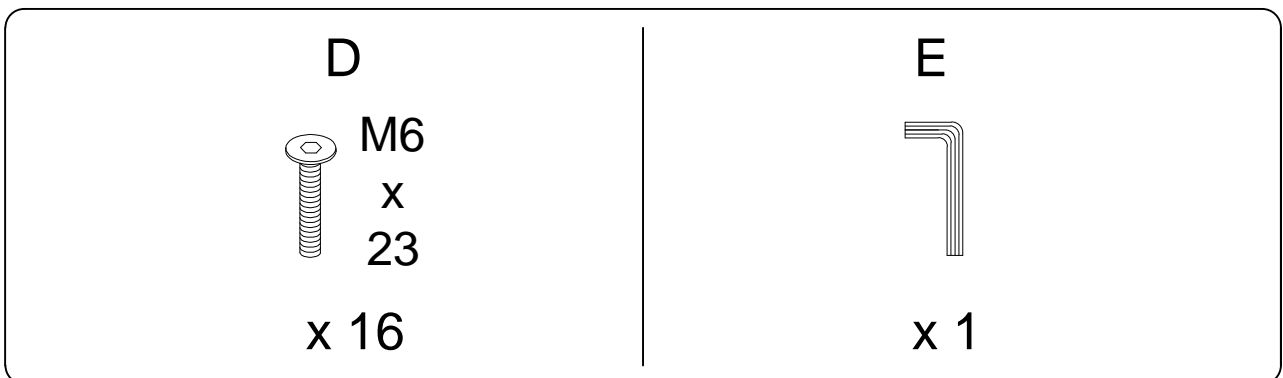
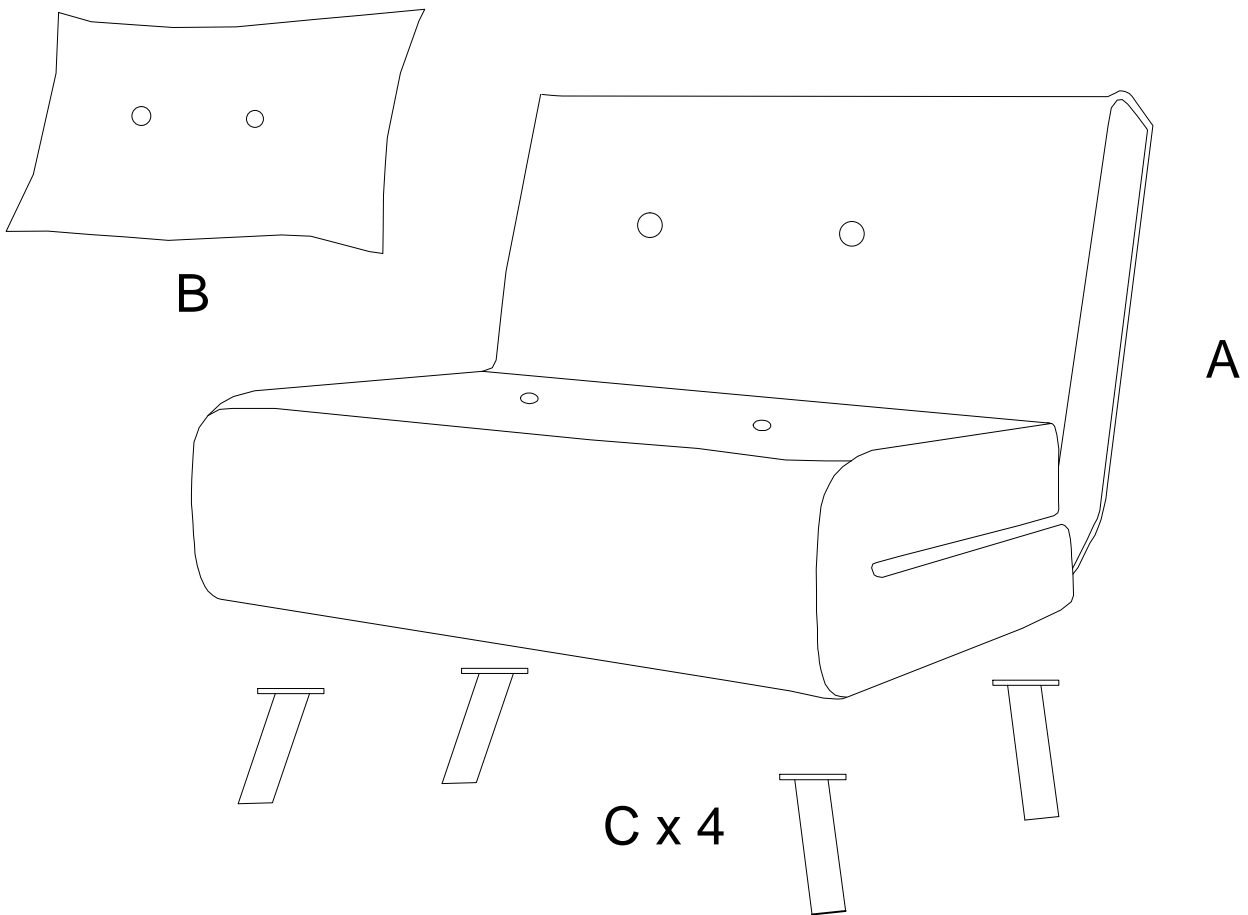
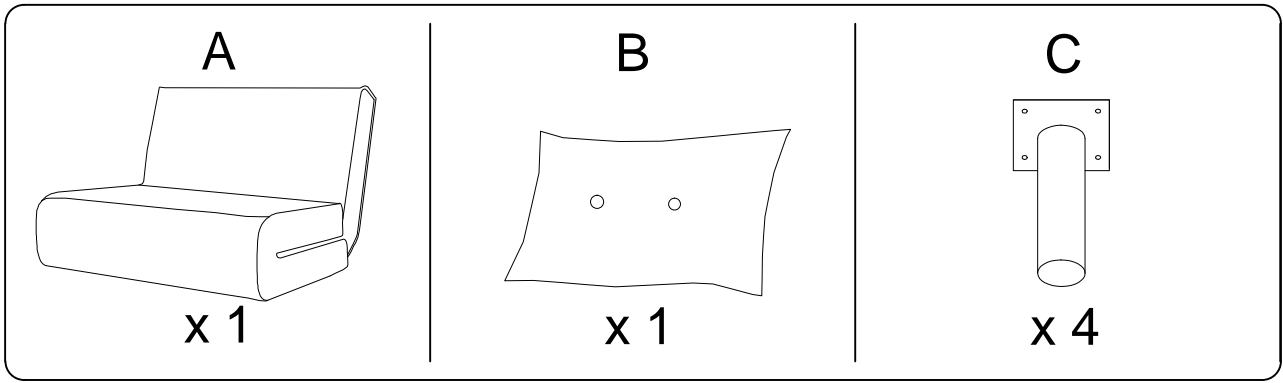



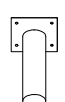

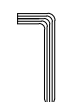
Assembly instructions for step 1/5:

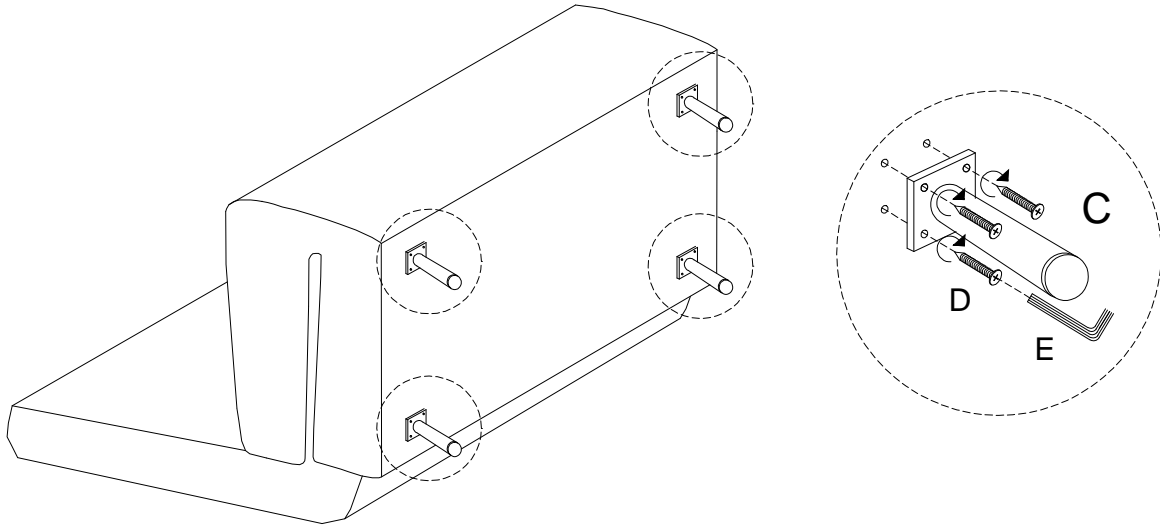
- Warning:** Do not use a power drill. Use an Allen key (shown in a circle) to tighten the screws.
- Warning:** Do not use a screwdriver. Use a block of wood (shown in a circle) to support the seat while tightening the screws.
- Time:** 15 minutes (indicated by a clock icon).
- Personnel:** 1 person (indicated by a person icon).

1/5

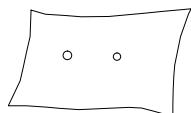


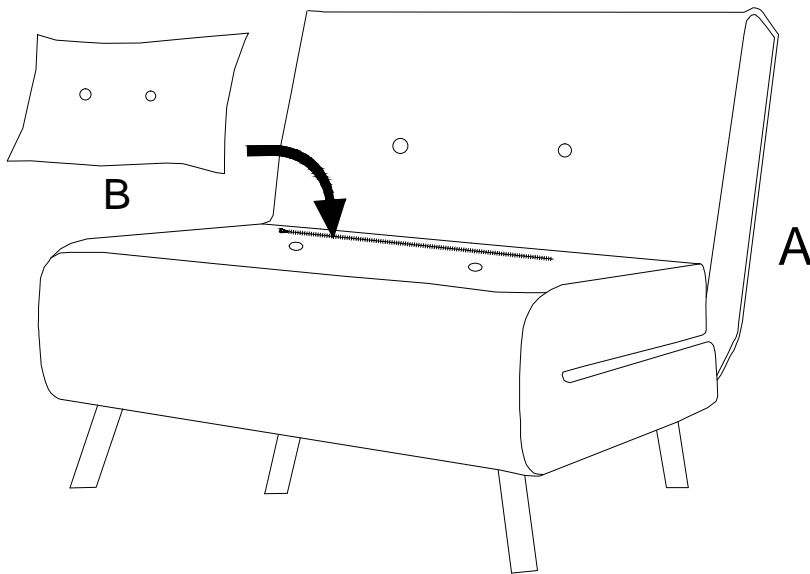
1

<p>A</p>  <p>x 1</p>	<p>C</p>  <p>x 4</p>	<p>D</p> <p>M6 x 23</p>  <p>x 16</p>	<p>E</p>  <p>x 1</p>
---	---	--	---

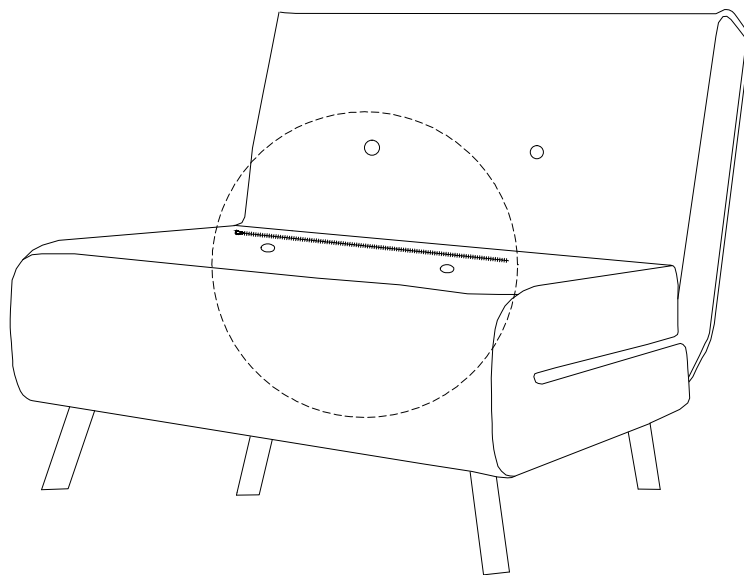
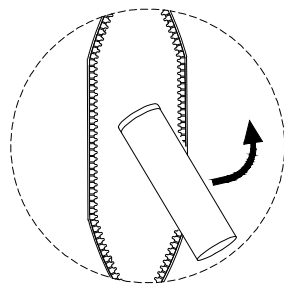
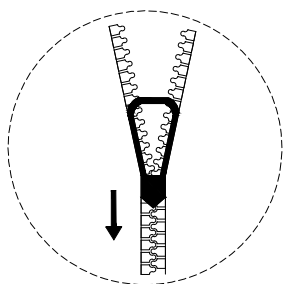


2

<p>B</p>  <p>x 1</p>



3



4

