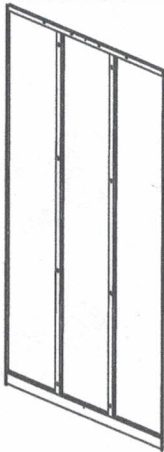
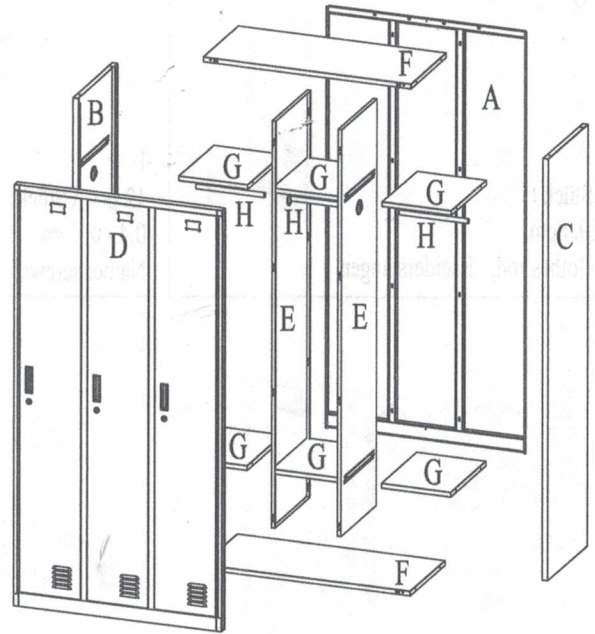
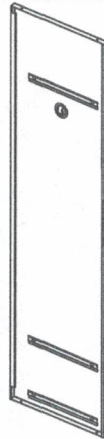


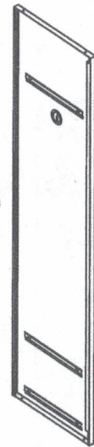
HDG-03 /Spind T829 3 Türen



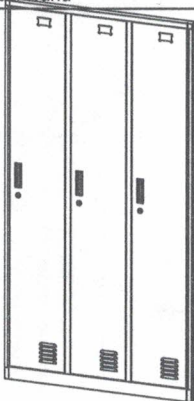
-A  
-1 pcs (Stück)  
-179.9×89.8cm  
-Name: back panel, Rückwand



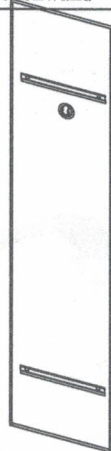
-B  
-1 pcs (Stück)  
-180.1×50cm  
-Name: left side, linke Seitenwand



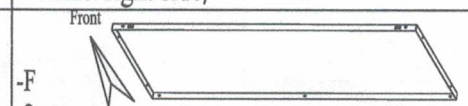
-C  
-1 pcs (Stück)  
-180.1×50cm  
-Name: right side, rechte Seitenwand



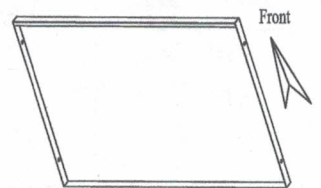
-D  
-1 pcs (Stück)  
-179.9×89.8cm  
-Name: doors, Tür



-E  
-2 pcs (Stück)  
-173.9×45.1cm  
-Name: vertical middle panel, Zwischenwände



-F  
-2 pcs  
-89.8×45.1cm  
-Name: top and bottom, Schrankdeckel und Schrankboden



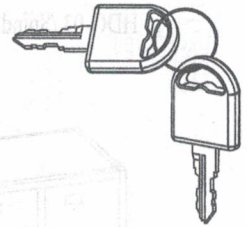
-G  
-6 pcs (Stück)  
-41.6×29.8cm  
-Name: horizontal middle panel, Ablagefach



-H  
 -3 pcs (Stück)  
 - $\text{Ø}1.9 \times 29.8\text{cm}$   
 -Name: clothes rod, Kleiderstangen



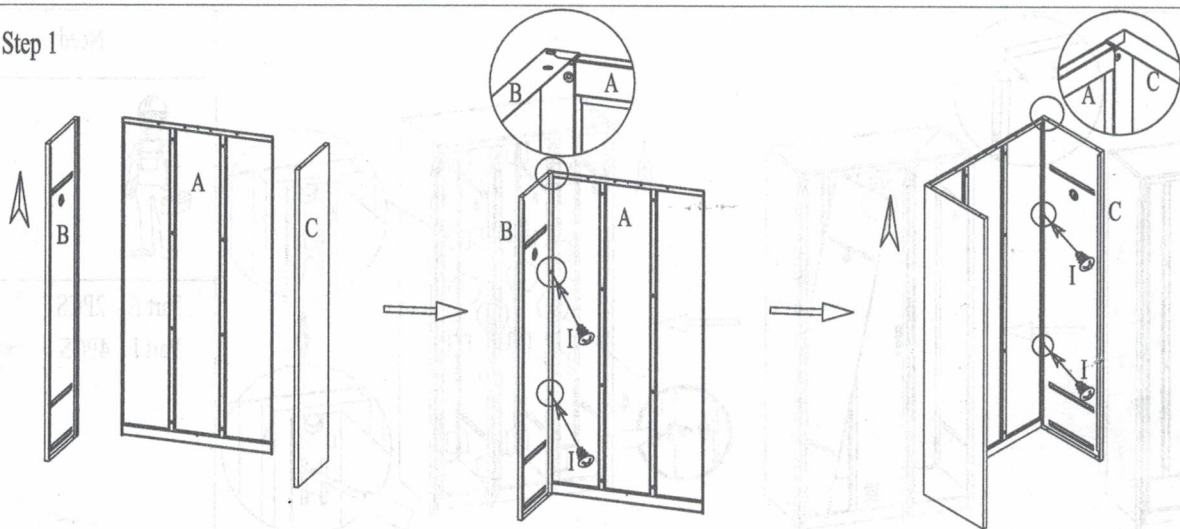
-I  
 -12 pcs (Stück)  
 - $0.4 \times 0.8\text{cm}$   
 -Name: screws, Schrauben



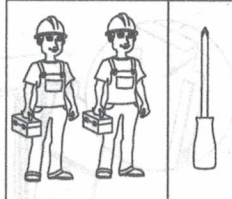
-J  
 -3x2 pcs (Stück)  
 -cm  
 -Name: keys, Schlüssel



Step 1

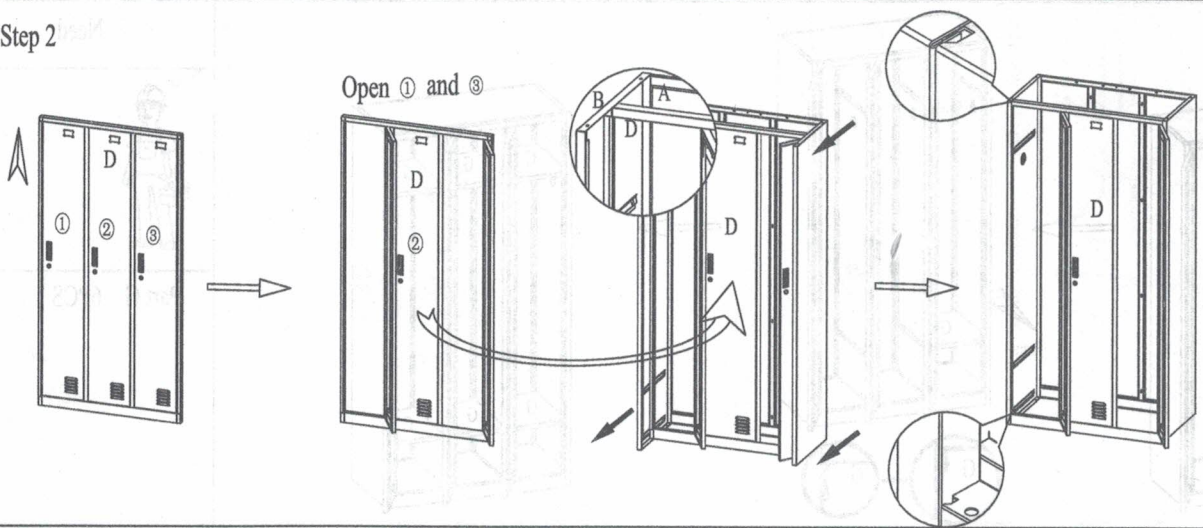


Need

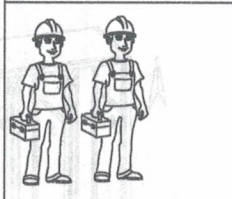


- Part A 1PCS
- Part B 1PCS
- Part C 1PCS
- Part I 4PCS

Step 2

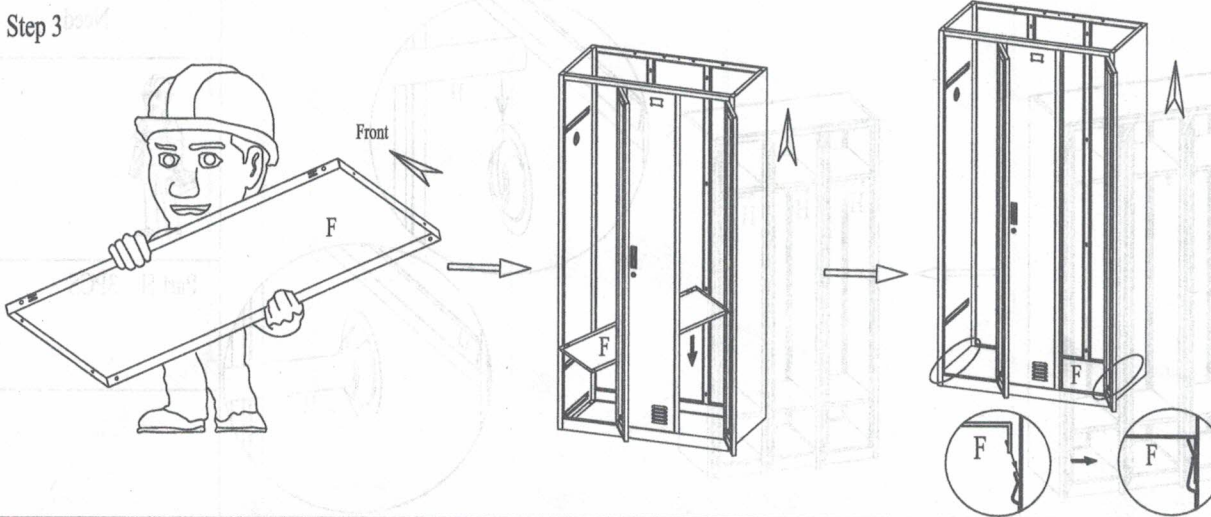


Need



- Part D 1PCS

Step 3

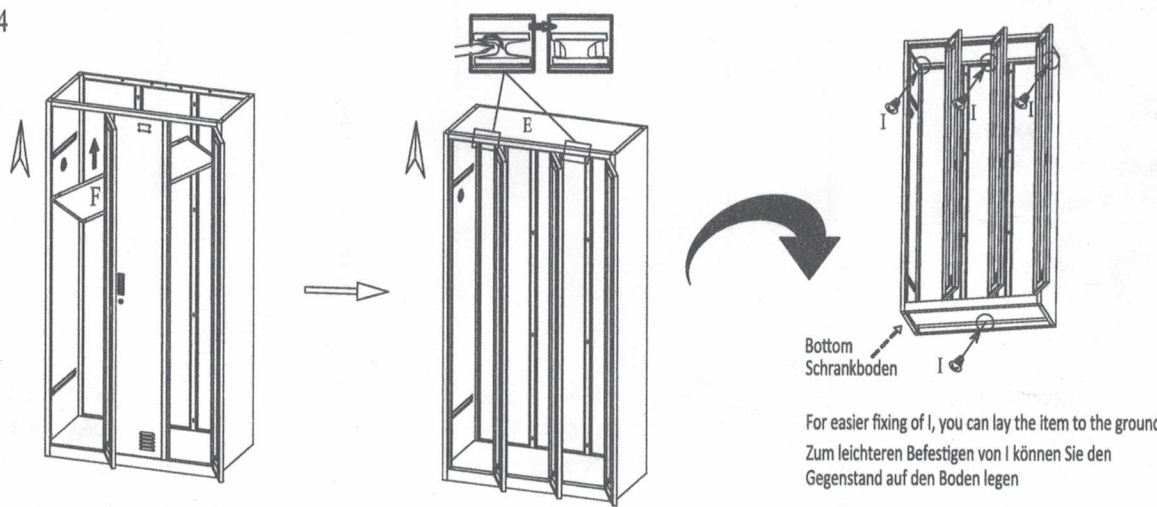


Need

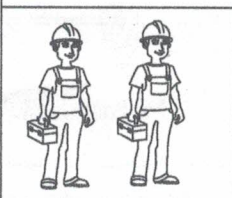


- Part F 1PCS

Step 4

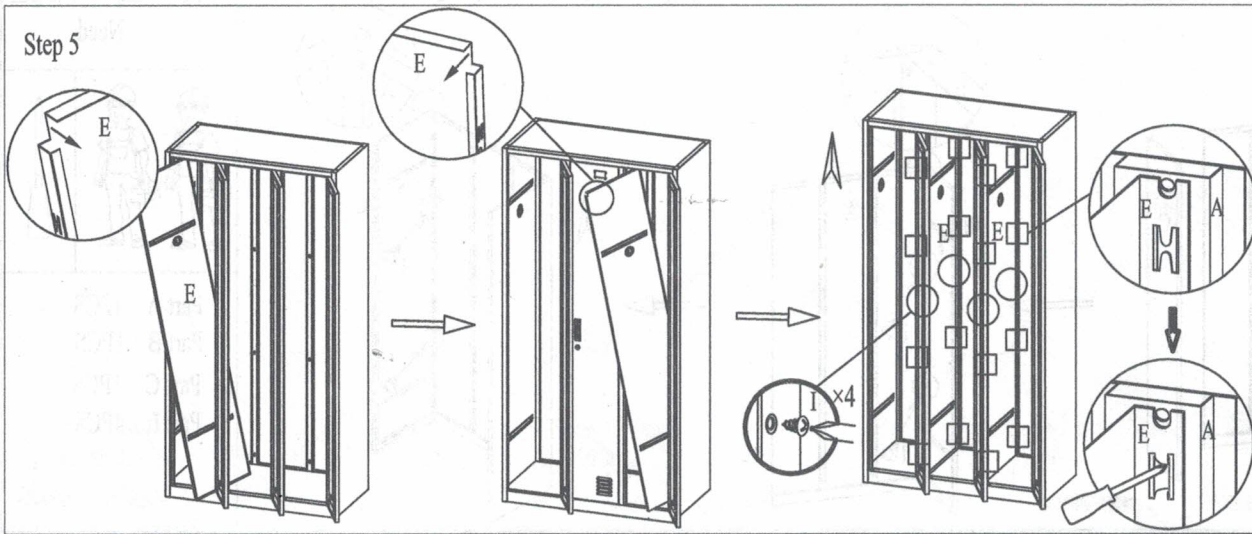


Need



- Part F 1PCS
- Part I 4PCS

Step 5

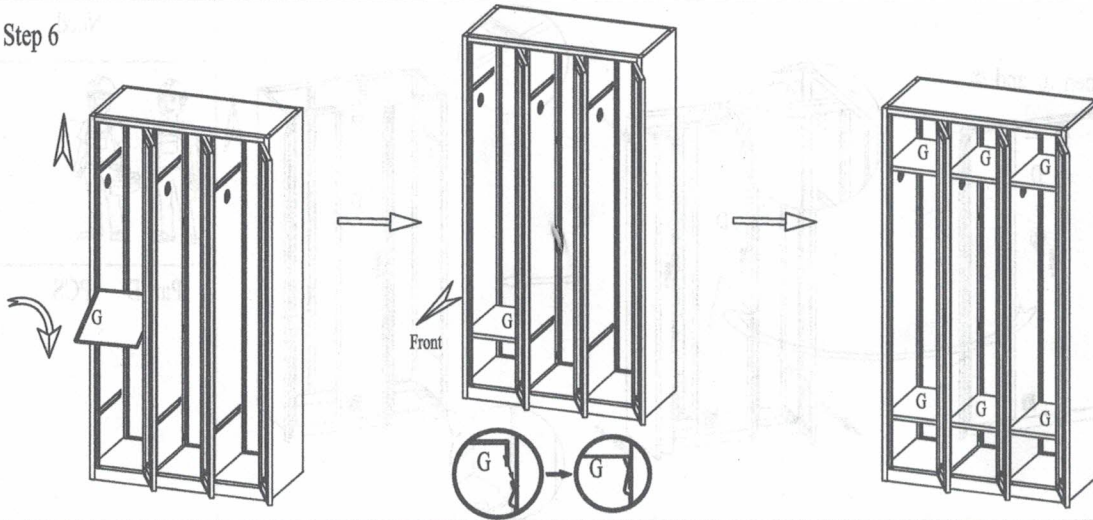


Need



Part E 2PCS  
Part I 4PCS

Step 6

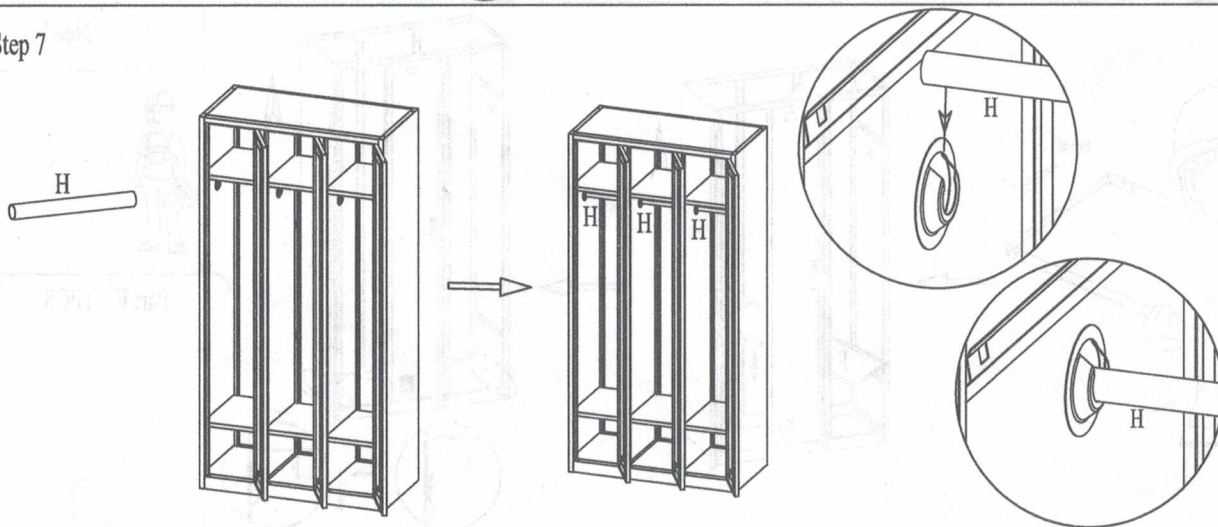


Need



Part G 6PCS

Step 7



Need



Part H 3PCS