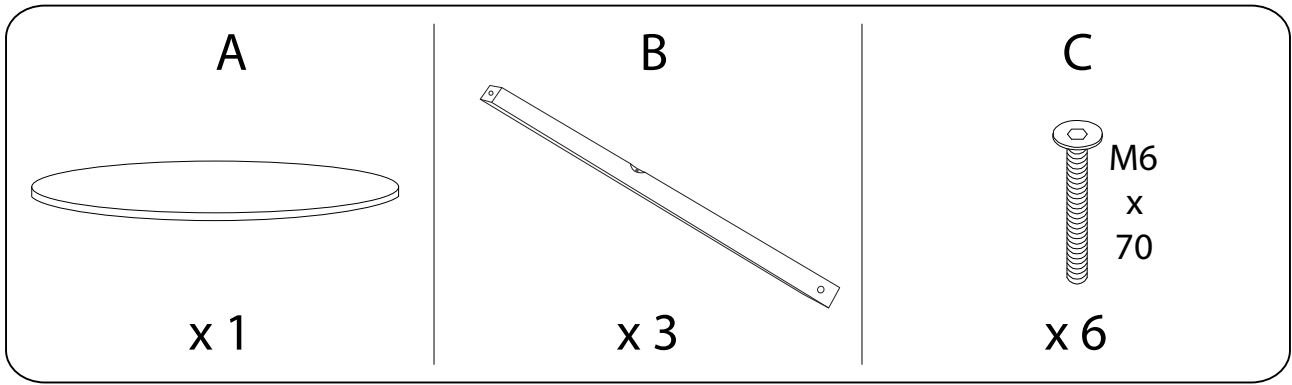
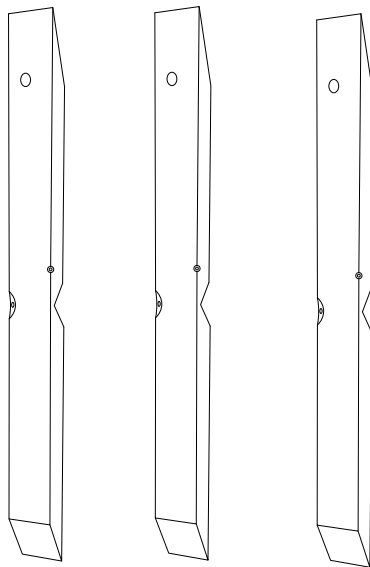
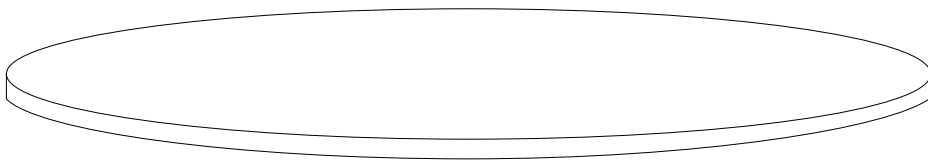


Diagram illustrating assembly steps and safety warnings:

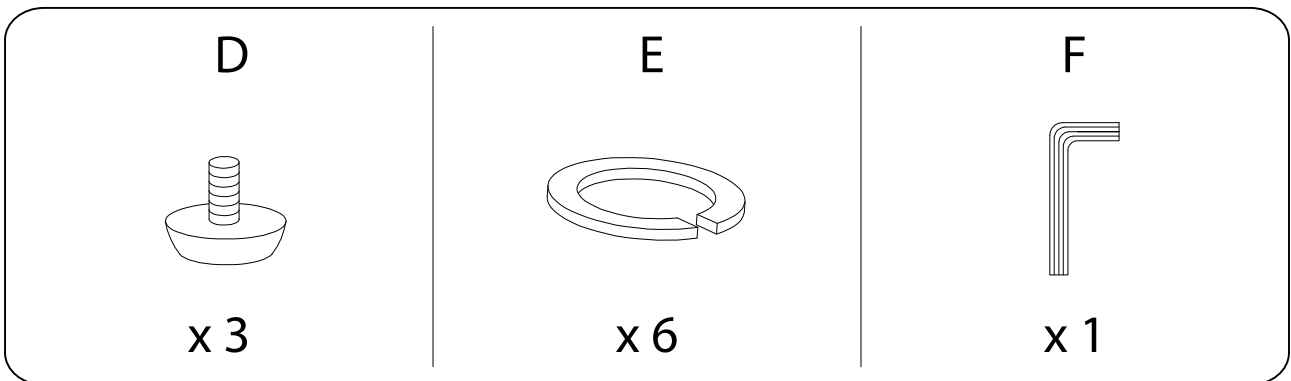
- Step 1:** Shows an L-shaped metal bracket being inserted into a hole in the table's base. A power drill is shown with a slash through it, indicating that a drill should not be used for this step. A warning triangle with an exclamation mark is positioned to the right.
- Step 2:** Shows a rectangular block being placed on a textured surface. A power drill is shown with a slash through it, indicating that a drill should not be used for this step. A warning triangle with an exclamation mark is positioned to the right.
- Time:** A clock icon is shown next to the text "20'", indicating a 20-minute assembly time.
- Person:** A person icon is shown next to the number "1", indicating that one person is required for assembly.



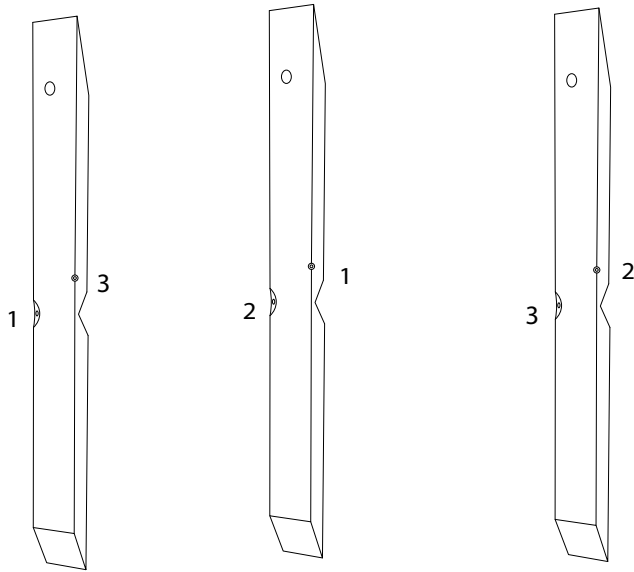
A x 1



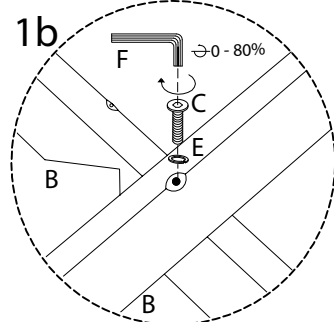
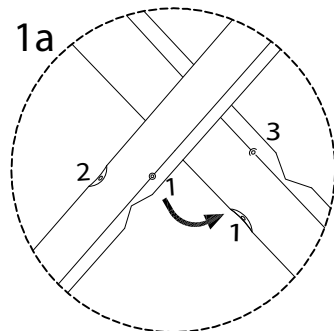
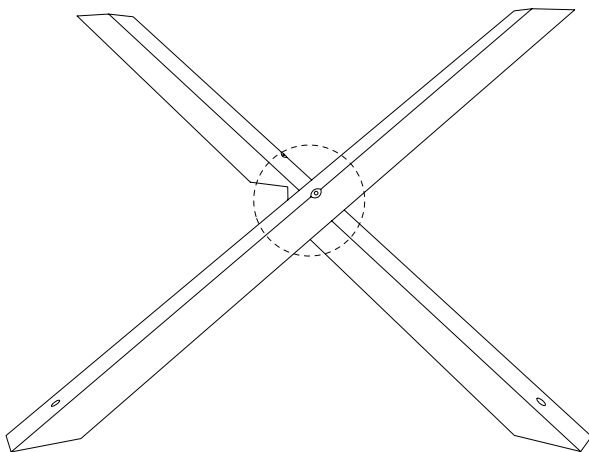
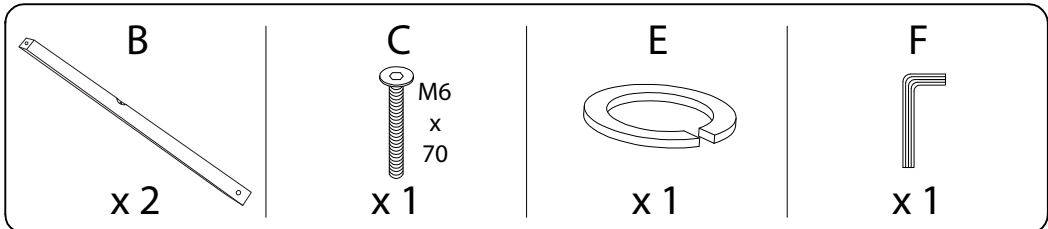
B x 3



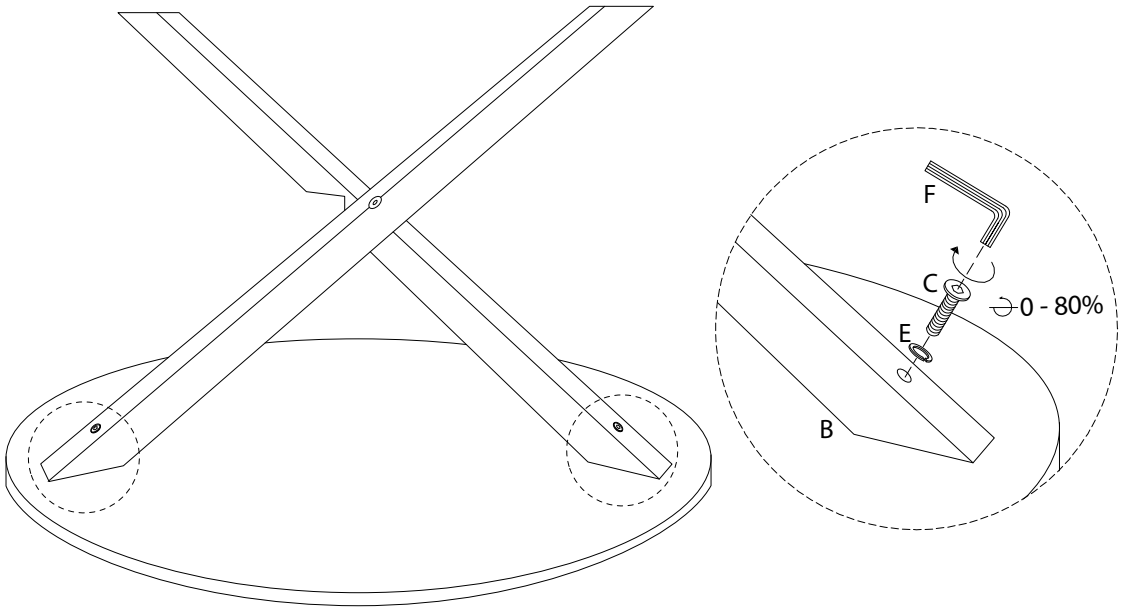
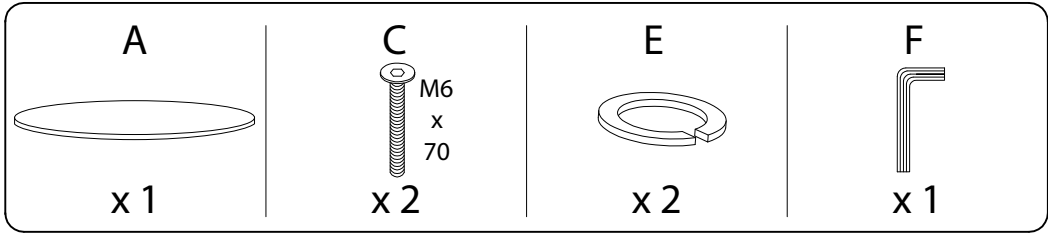
!



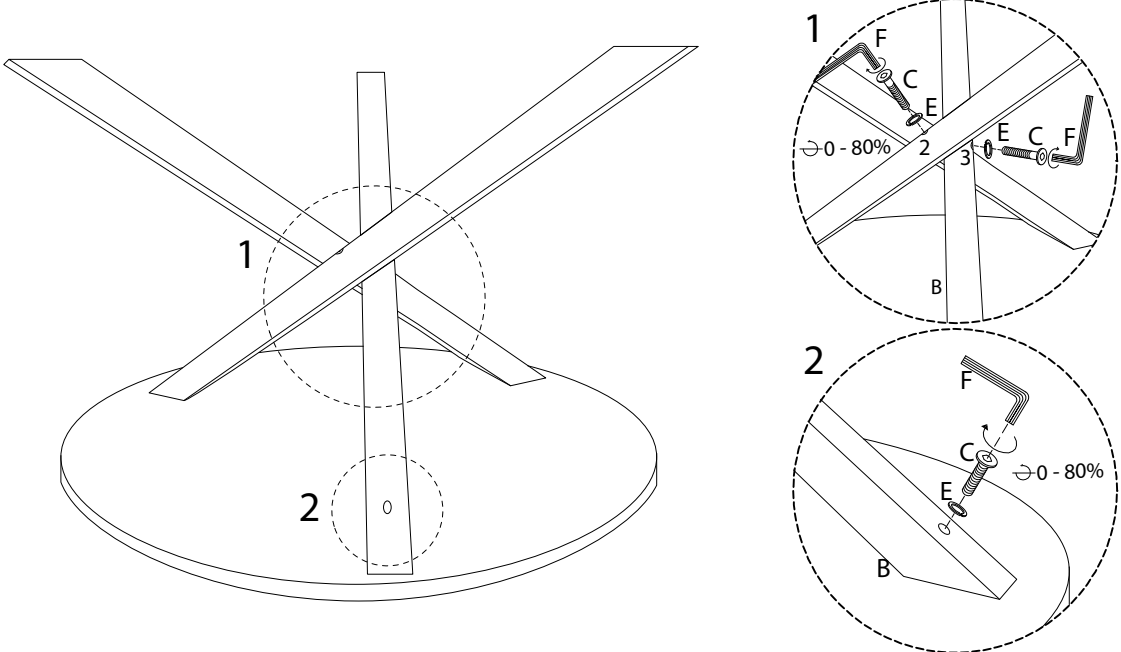
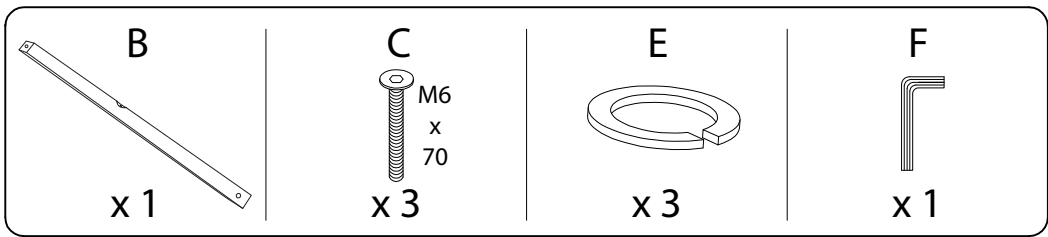
1



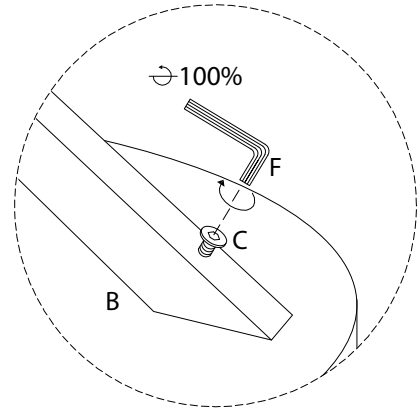
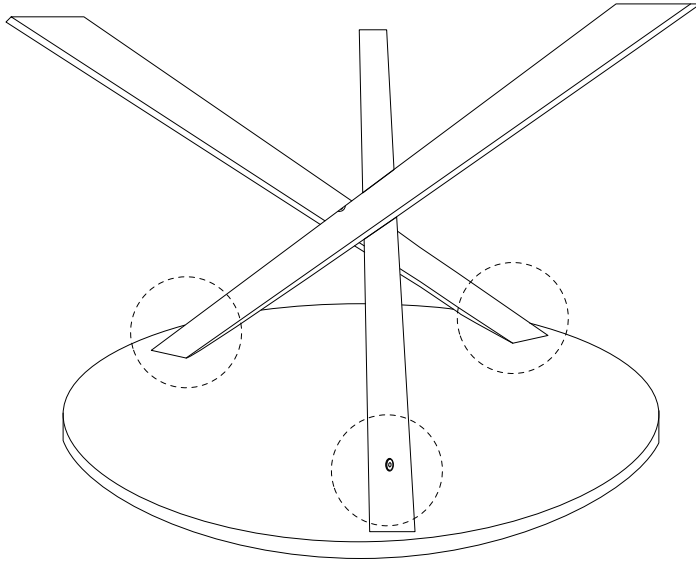
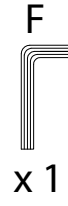
2



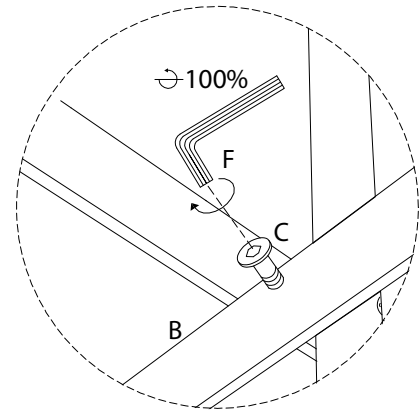
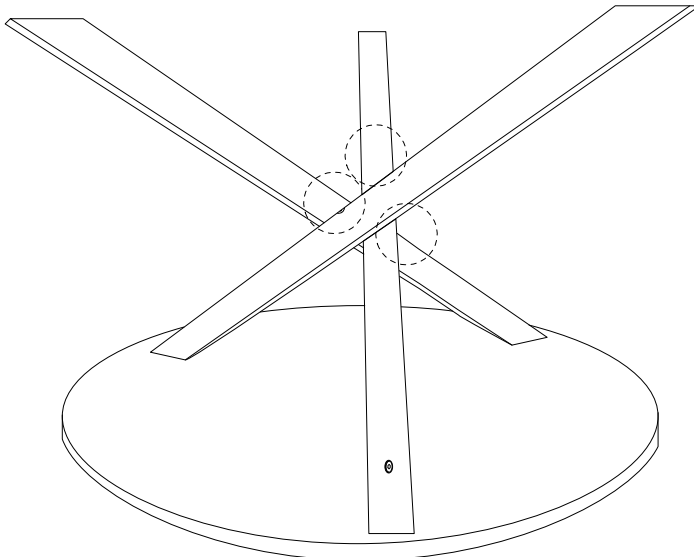
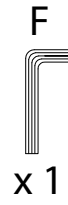
3



4



5



6

