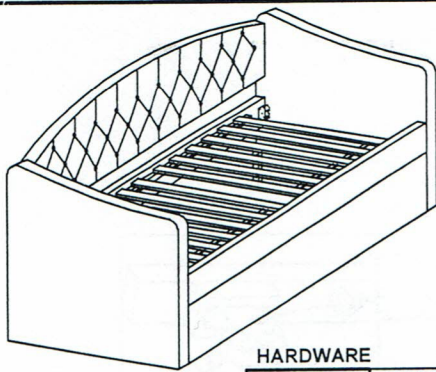
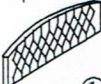











# ASSEMBLY INSTRUCTIONS



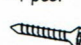






MODEL : BD235-FS ITEM CODE : 1924



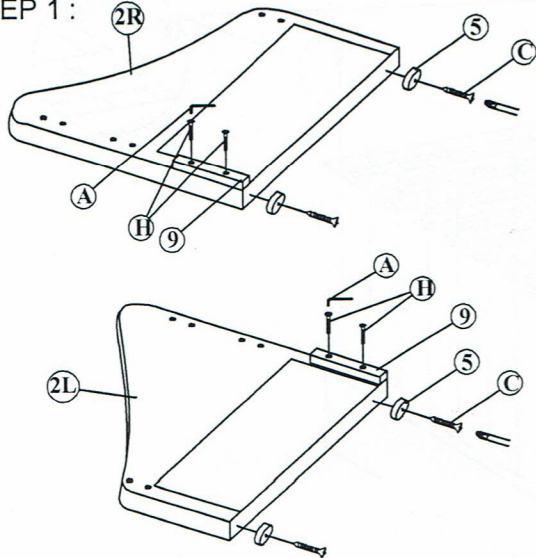
## COMPONENT

Back Rest - 1 pc 	Side Panel - 1 pcs 	Side Panel - 1 pcs 	Side Rail - 2 pcs 	Trundle Panel - 1 pc 	Bed Leg - 4 pcs 	Bed Slats - 1set(12pcs) 
Trundle Slats - 1set(13 pcs) 	Trundle LVL - 1 pc 	Trundle Block- 2 pcs 				

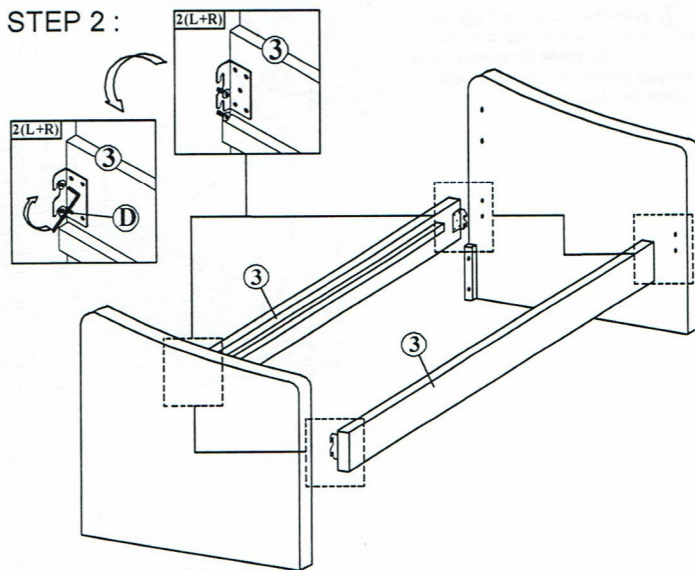
## HARDWARE

Allen Key M4 - 1 pc. 	JCBC Bolt M6 x 25mm - 6 pcs. 	Wood Screw M4 x 35mm - 4 pcs. 	Allen Key M5 - 1 pc. 	JCBC Bolt M6 x 45mm - 4 pcs. 	Wood Screw M3.5 x 16mm - 24 pcs. 	Castor Wheel - 6 pcs. 	JCBC Bolt M6 x 35mm - 4 pcs. 	Wood Screw M4 x 25mm - 44 pcs. 
--	---	--	--	---	--	---	---	---

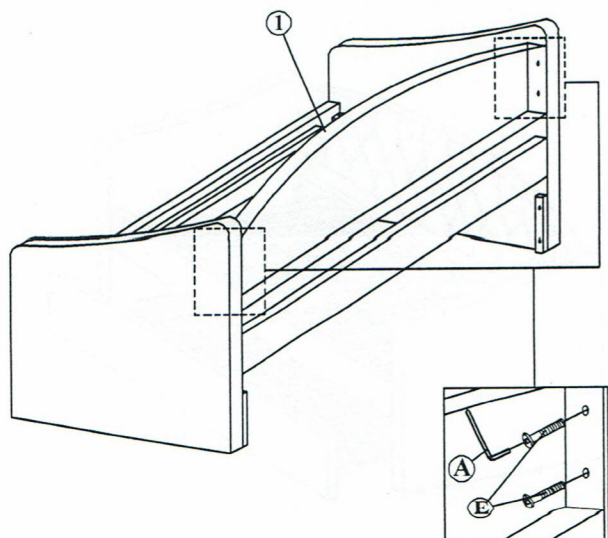
### STEP 1 :



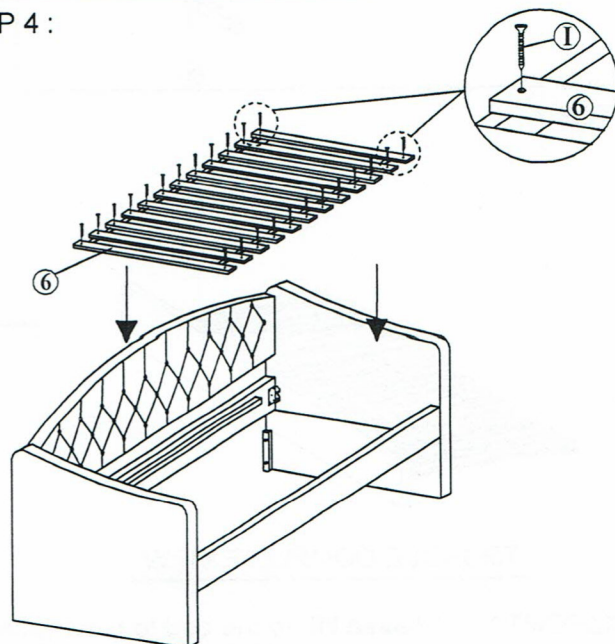
### STEP 2 :



### STEP 3 : BACK VIEW



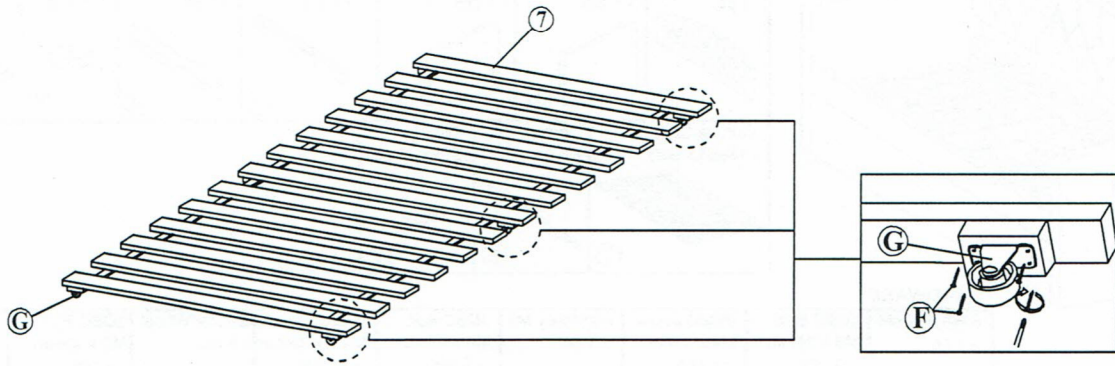
### STEP 4 :



# ASSEMBLY INSTRUCTIONS

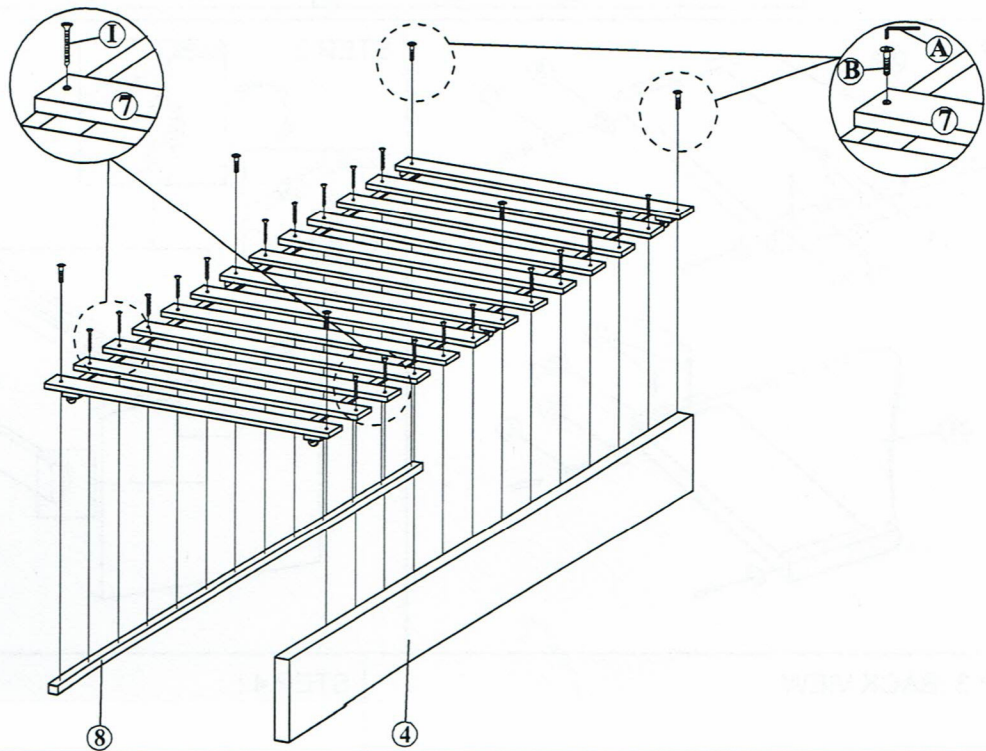
MODEL : BD235-FS

## STEP 5 :

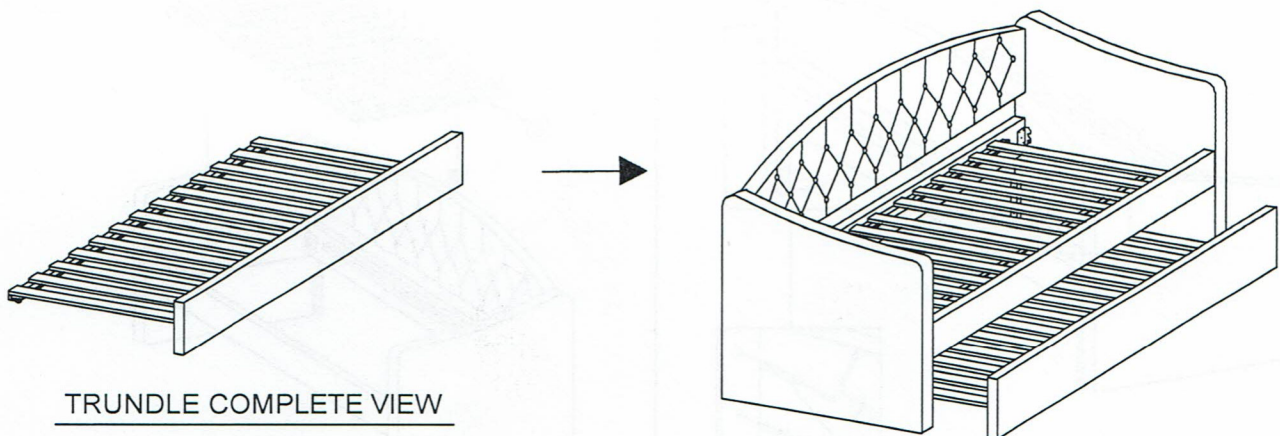


## STEP 6 :

Attach (7) to the trundle rail and (8) by unrolling and securing with 10pcs wood screw (I) and JCBC screw (B) per each side. Tighten wood screws using phillips head screw driver (not included).



## STEP 7 :



TRUNDLE COMPLETE VIEW

**\*IMPORTANT\***Please lift up the bed to move with 2 or more people.**DO NOT DRAG THE BED!**