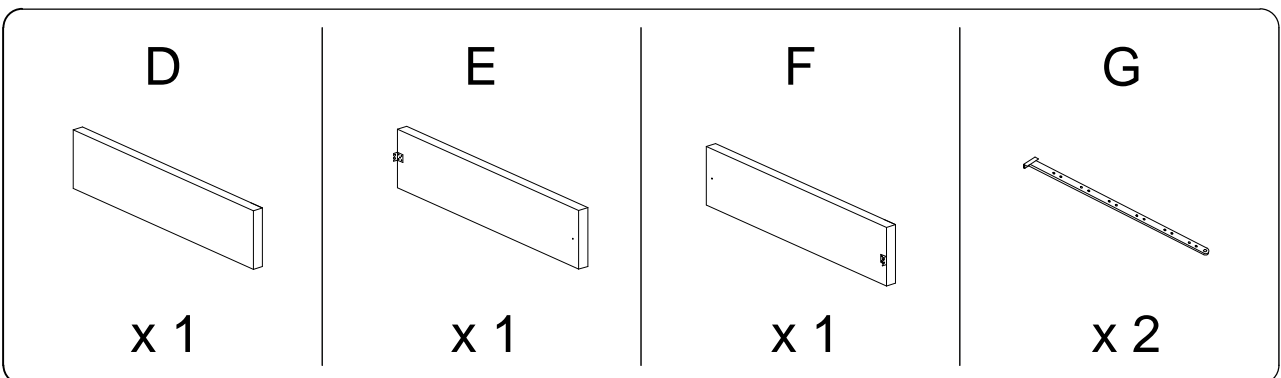
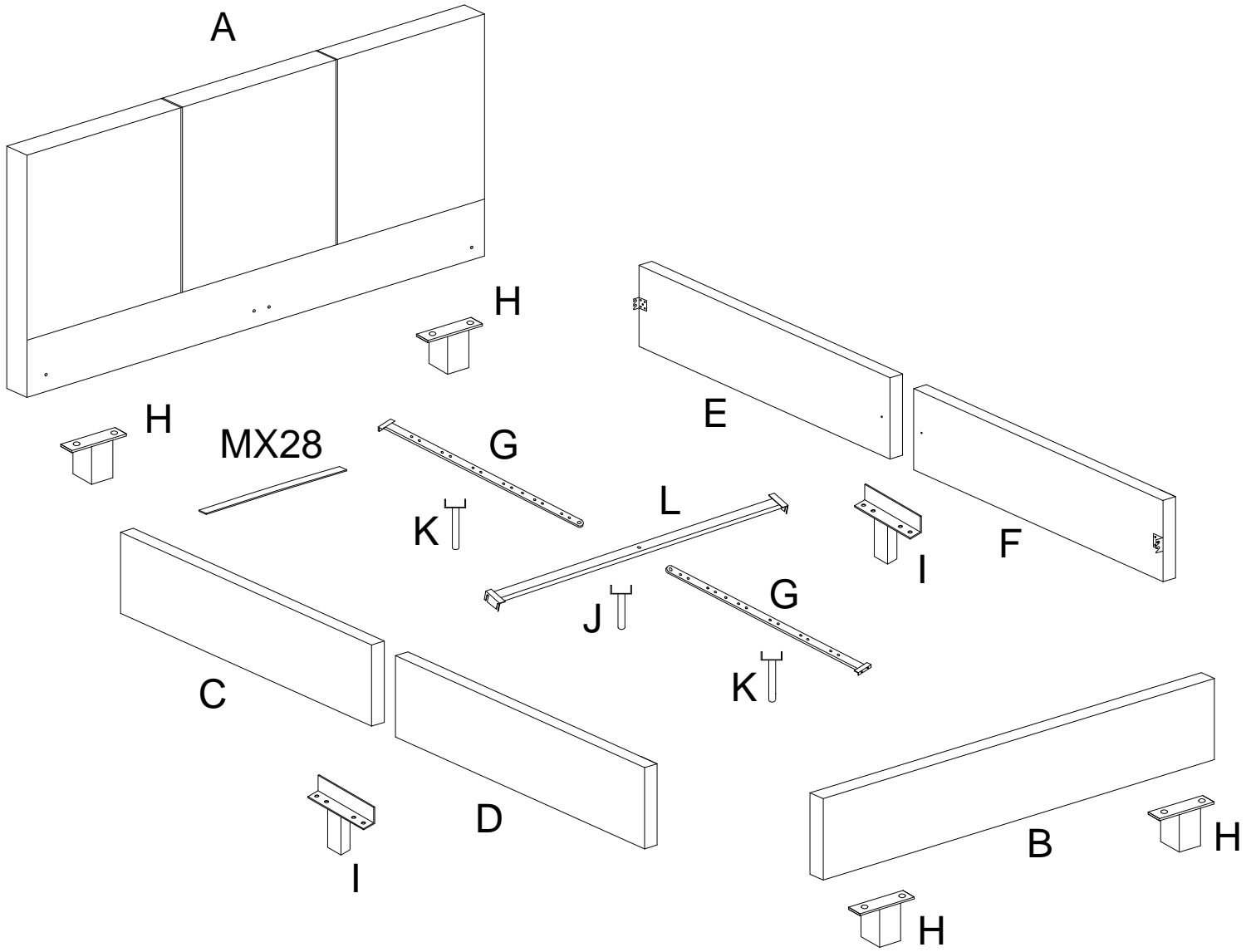
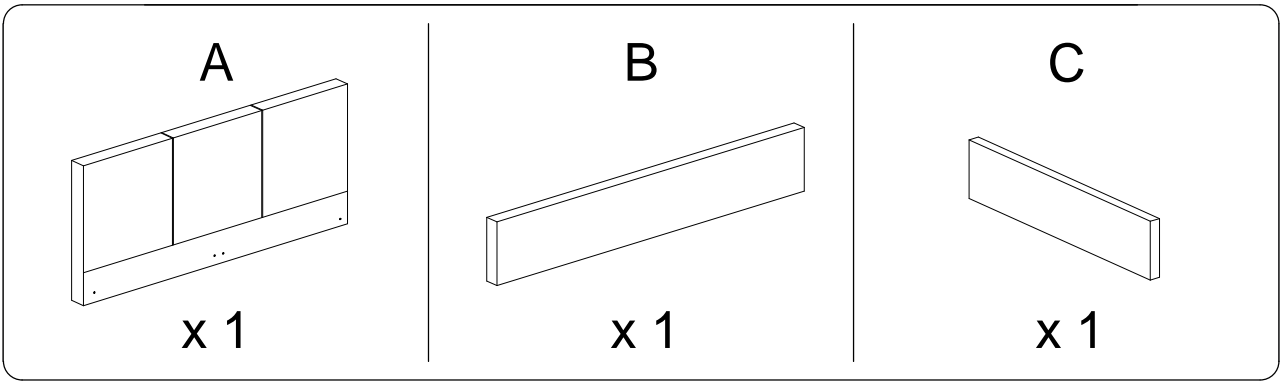


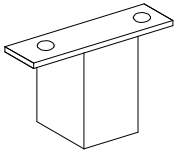
Assembly instructions for step 1/6:

- Tools:** A circle containing an Allen key and a wrench, and a crossed-out power drill icon.
- Warning:** A triangle with an exclamation mark.
- Time:** A clock icon with the text "60'".
- Personnel:** A stick figure icon with the number "2".

1/6

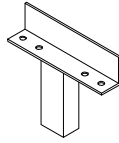


H



x 4

I



x 2

J



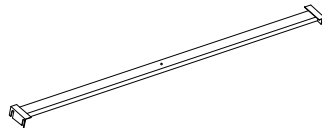
x 1

K



x 2

L



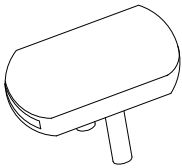
x 1

M



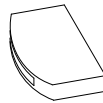
x 28

N



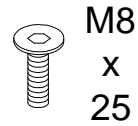
x 14

O



x 28

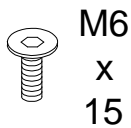
P



M8
x
25

x 8

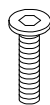
R



M6
x
15

x 24

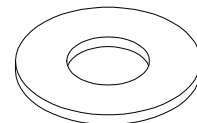
S



M6
x
30

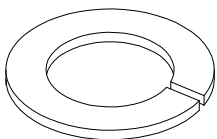
x 3

T



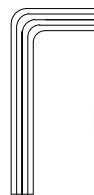
x 8

U



x 8

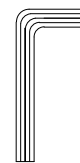
W



M5

x 1

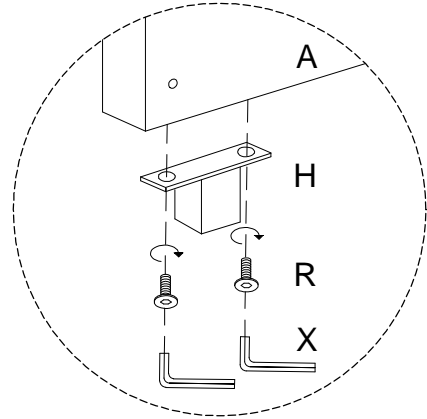
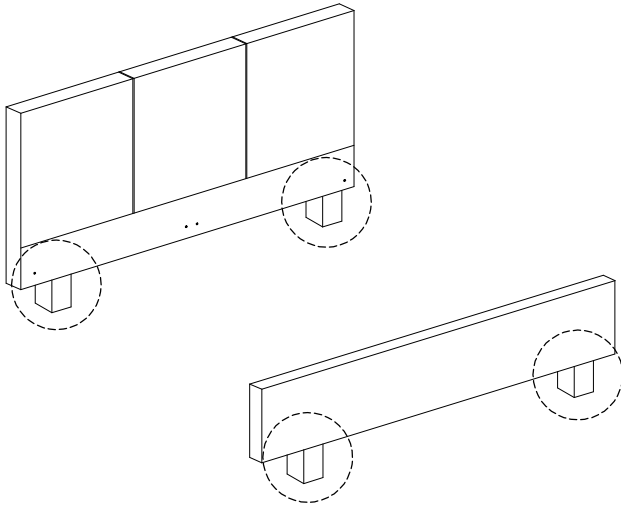
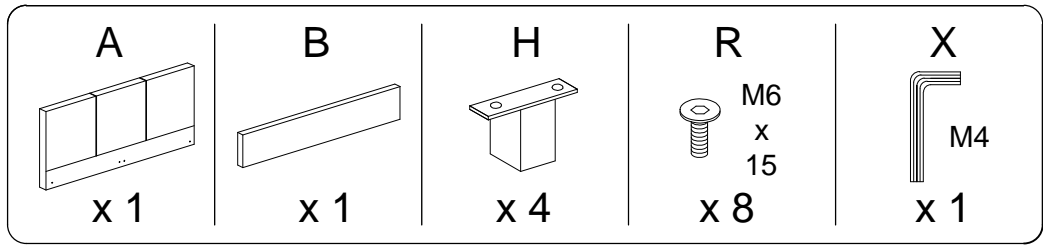
X



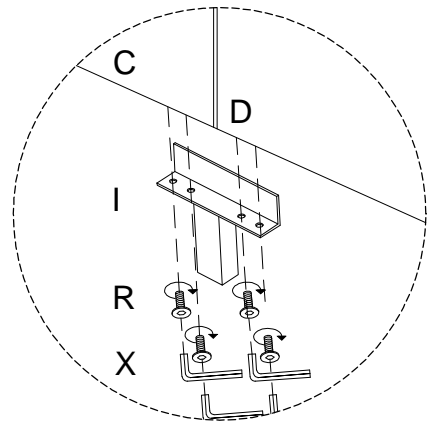
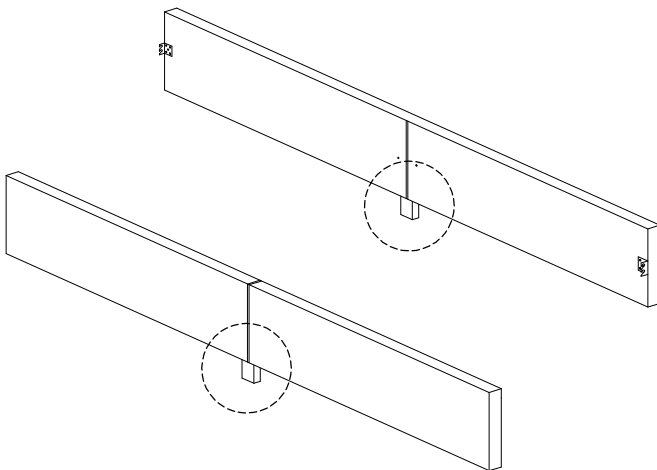
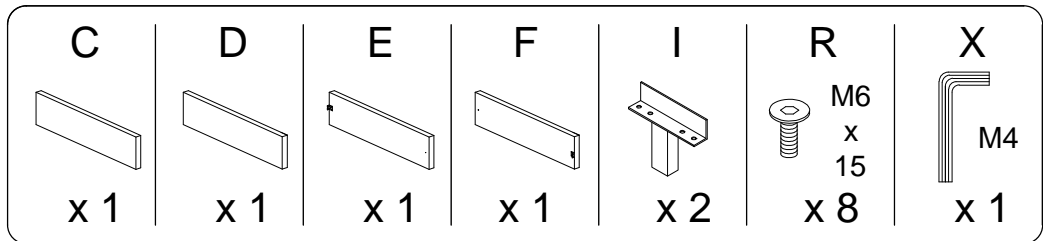
M4

x 1



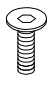
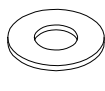
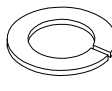


1

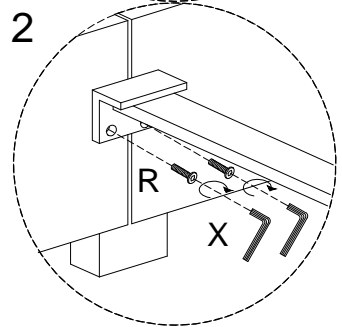
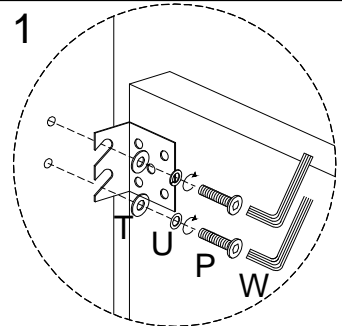
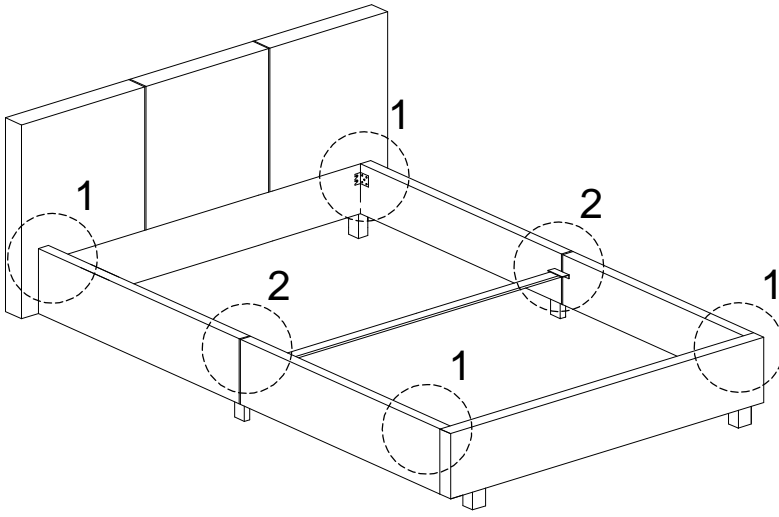


2

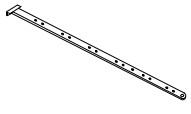
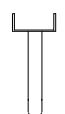
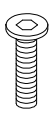



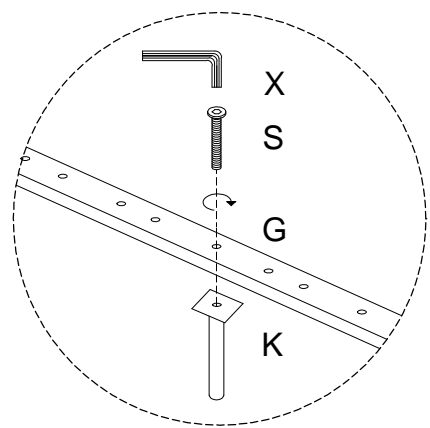
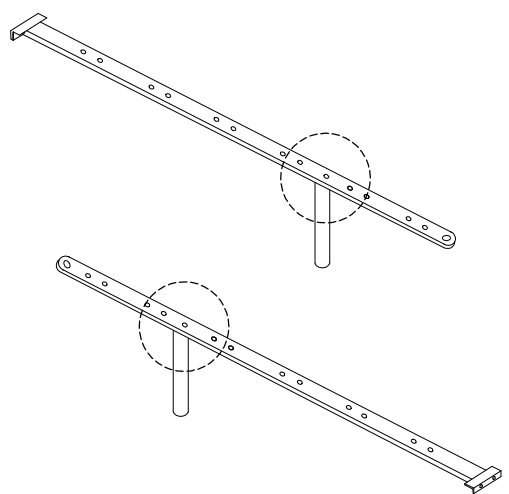
3

L  x 1	R  M6 x 15 x 4	P  M8 x 25 x 8	T  x 8	U  x 8	W  M5 x 1	X  M4 x 1
--	---	---	--	---	--	--



4

G  x 2	K  x 2	S  M6 x 30 x 2	X  M4 x 1
--	--	--	--



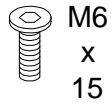
5

J



x 1

R



x 4

S

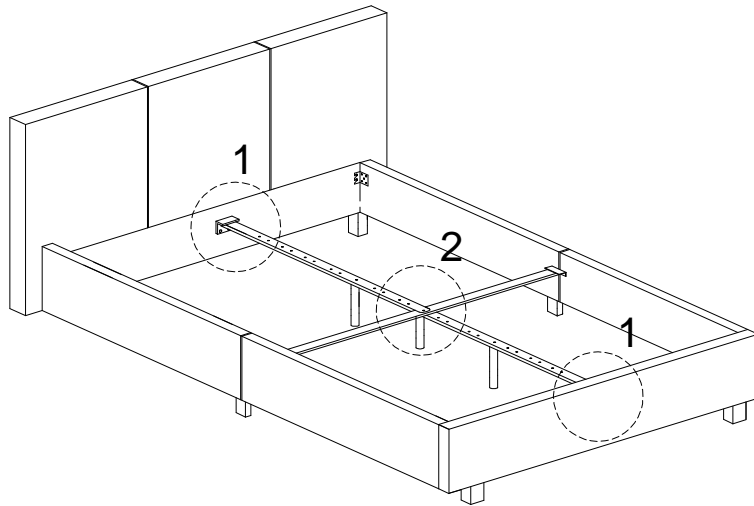


x 1

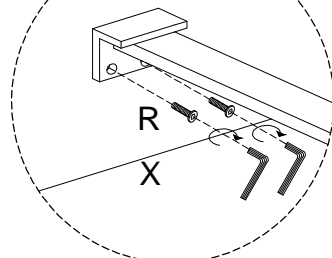
X



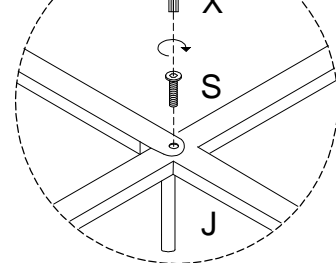
x 1



1



2



6

M



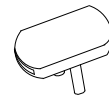
x 28

O

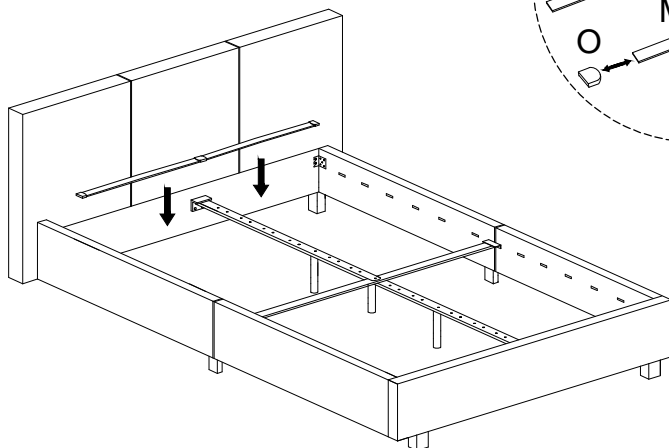


x 28

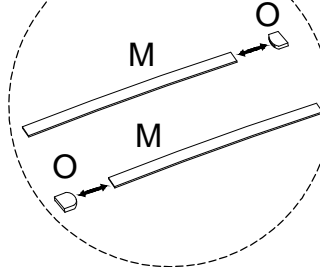
N



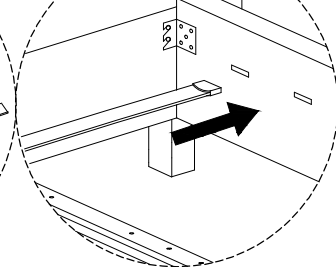
x 14



1



2



3

