





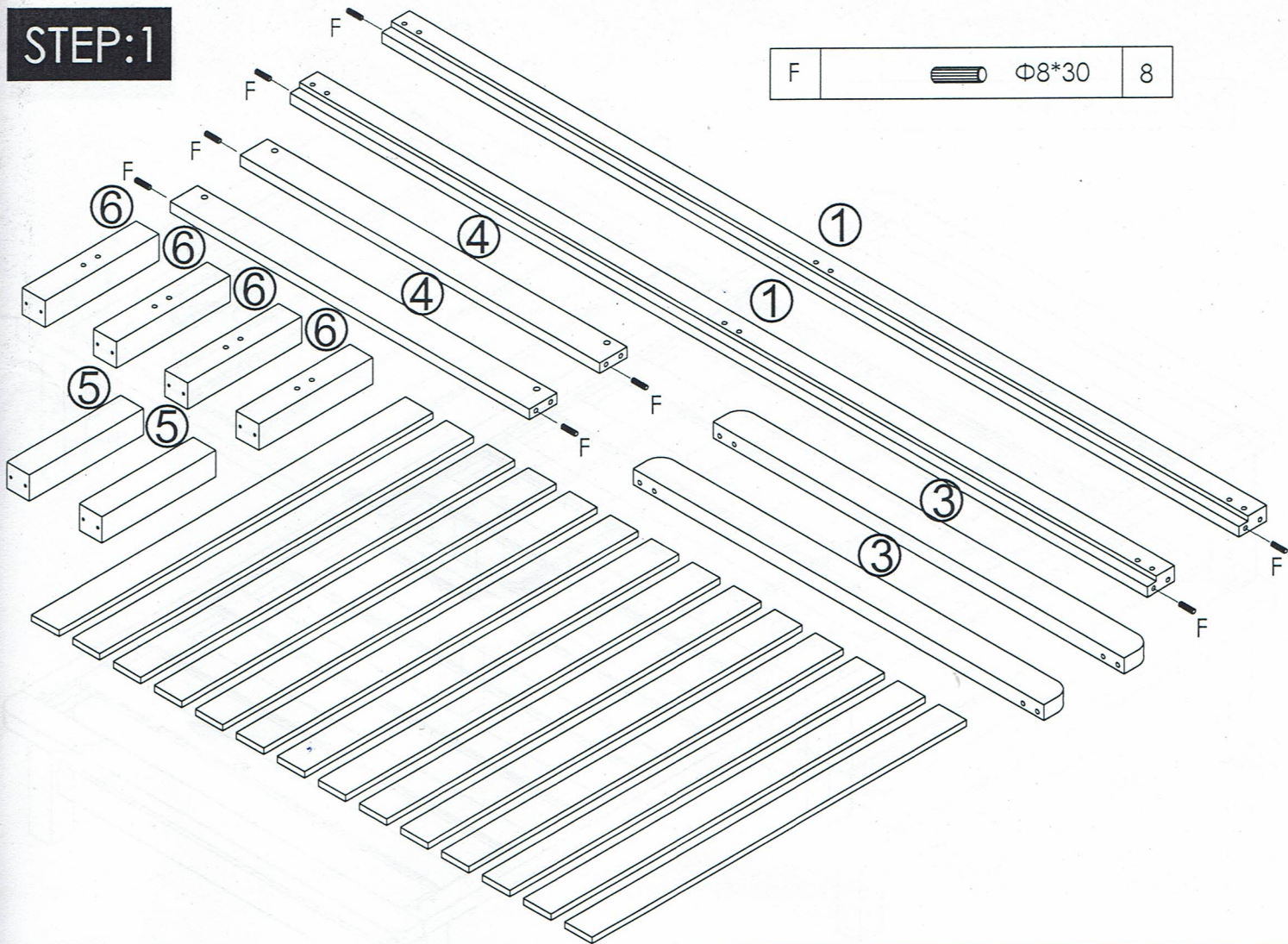
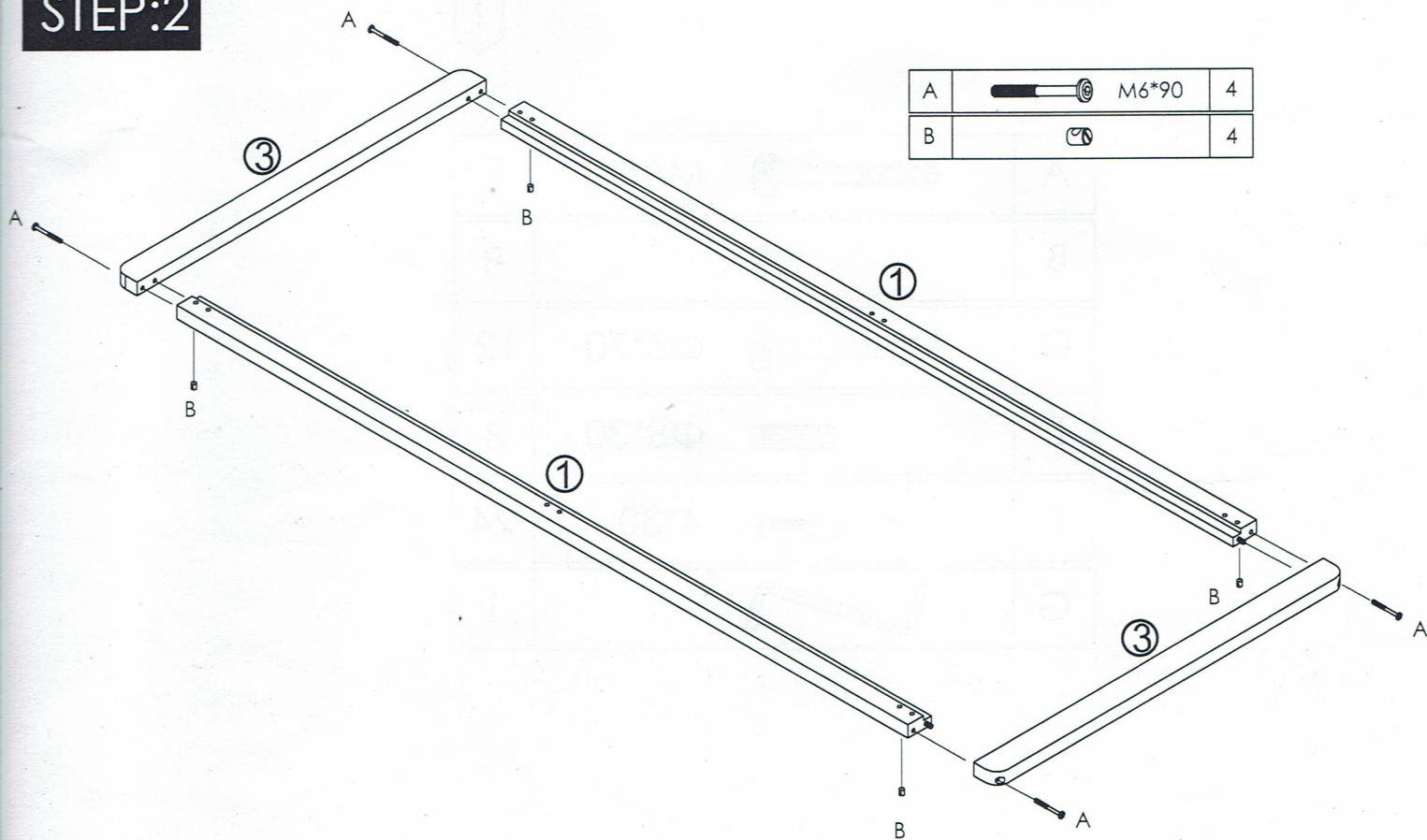


A		M6*90	8
B			8
C		Φ6*70	12
E		Φ8*30	8
F		4*30	24
G			1

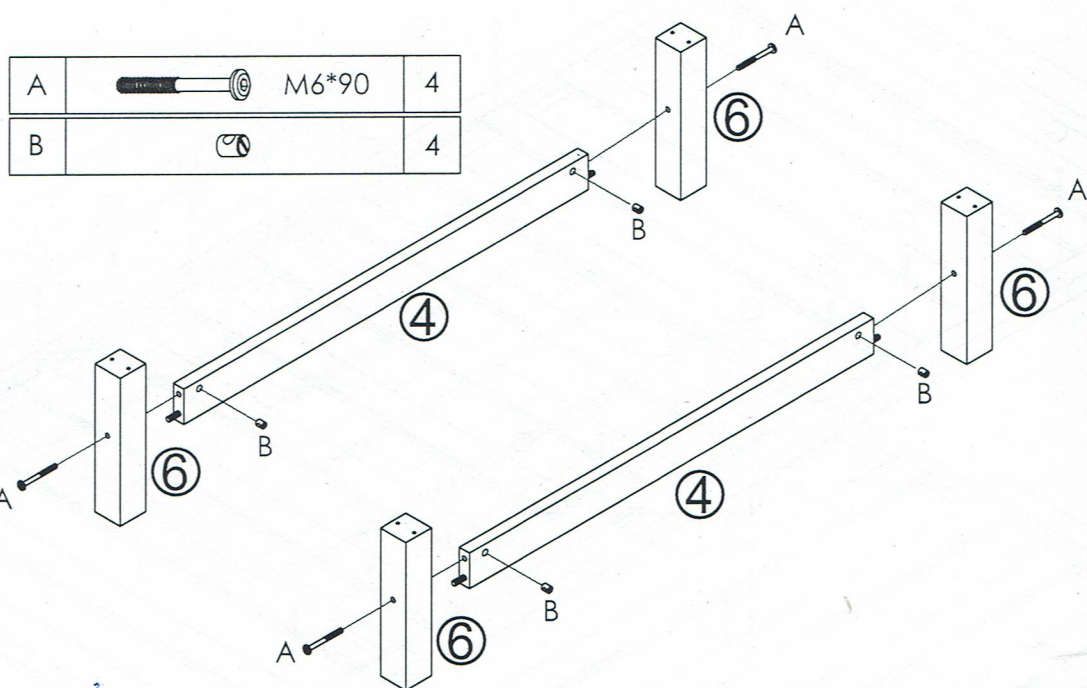
STEP:1



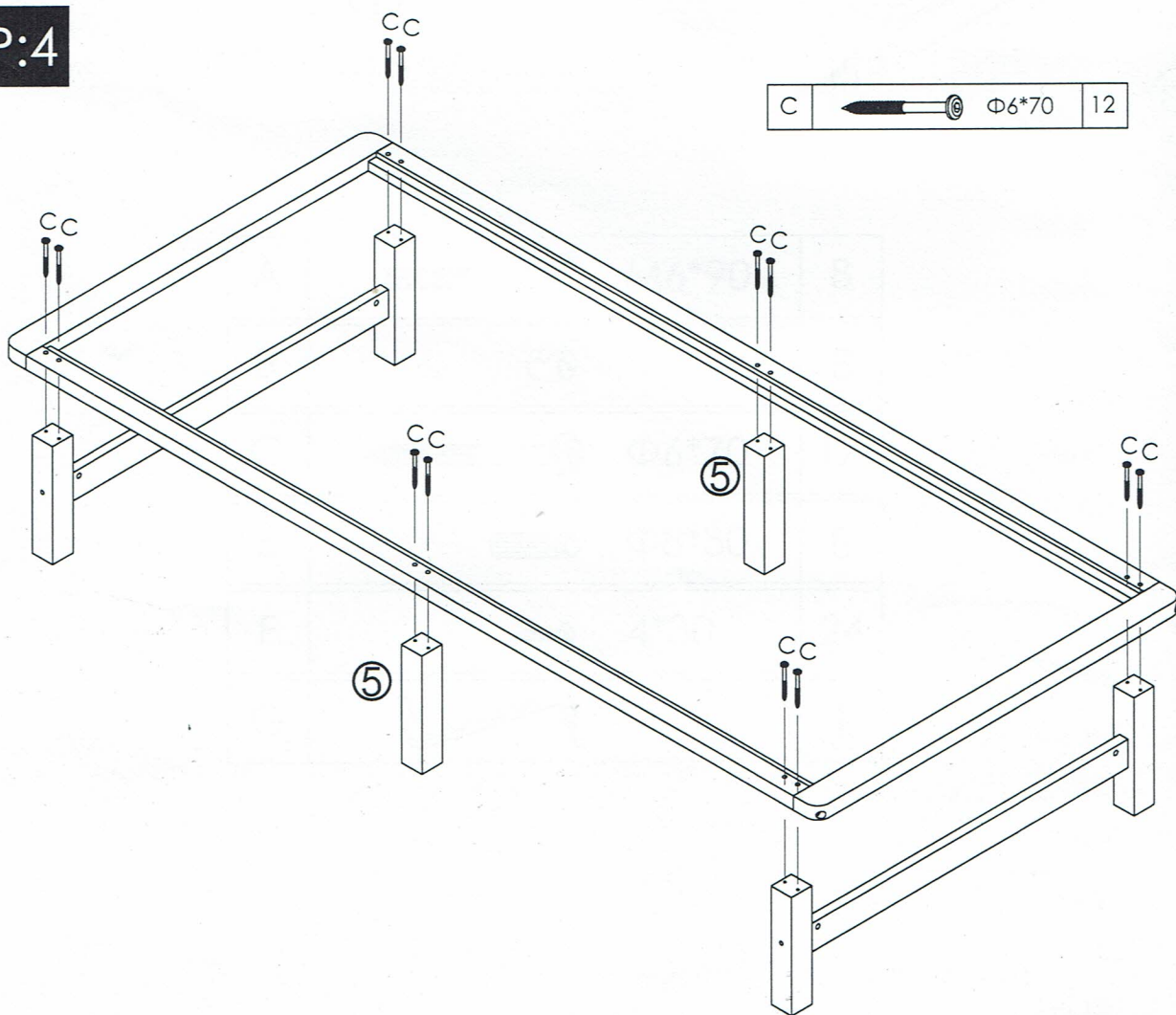
STEP:2




STEP:3

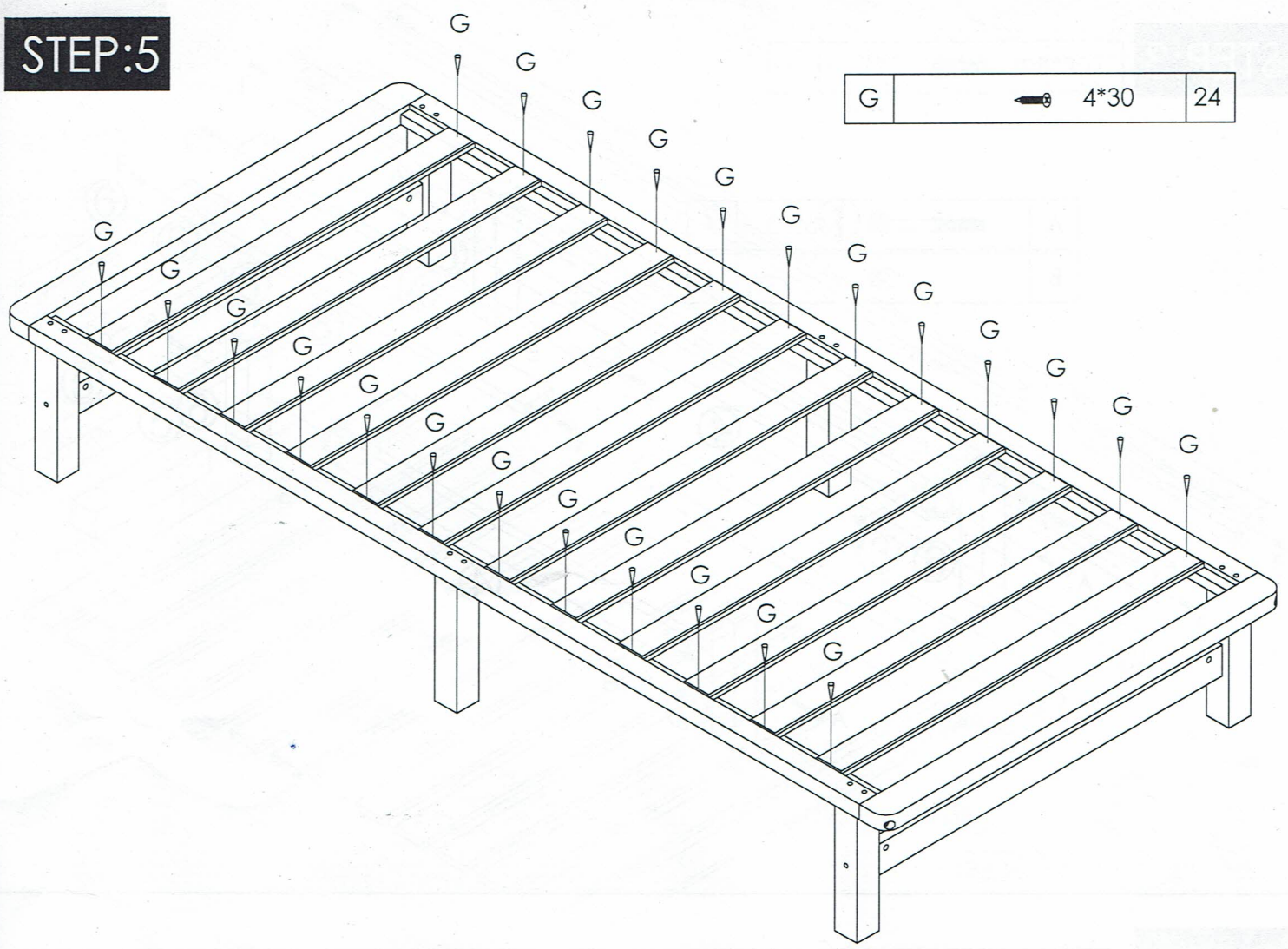


STEP:4

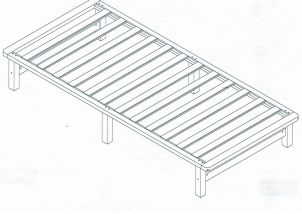


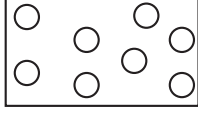
STEP:5

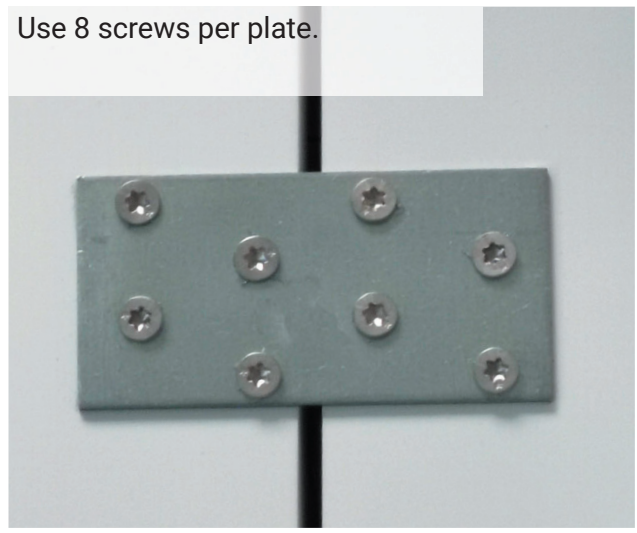
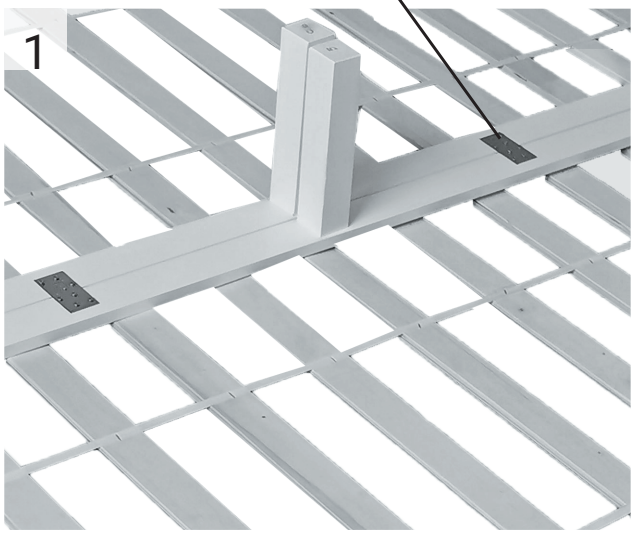
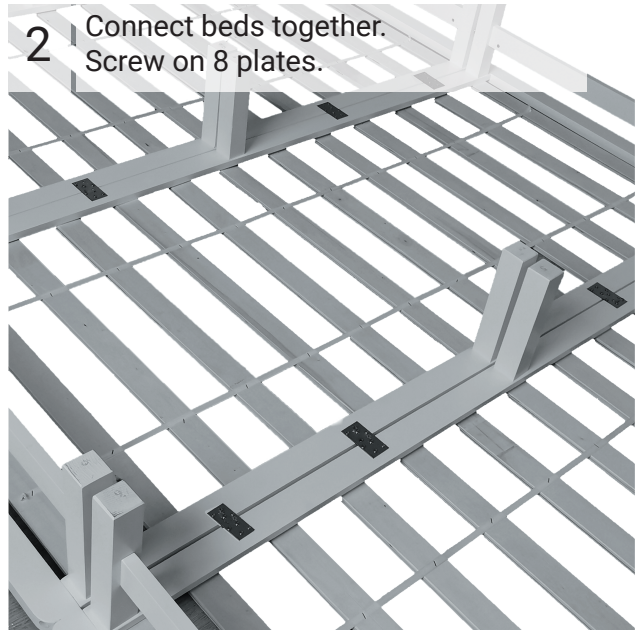
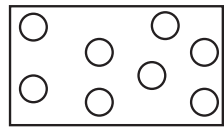
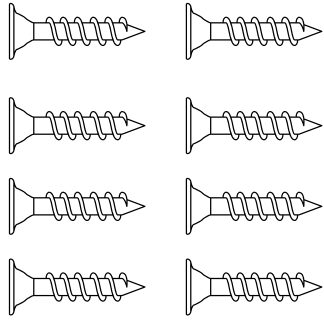
G		4*30	24
---	-------------------------------------------------------------------------------------	------	----



64x 

3x 

8x 



3

