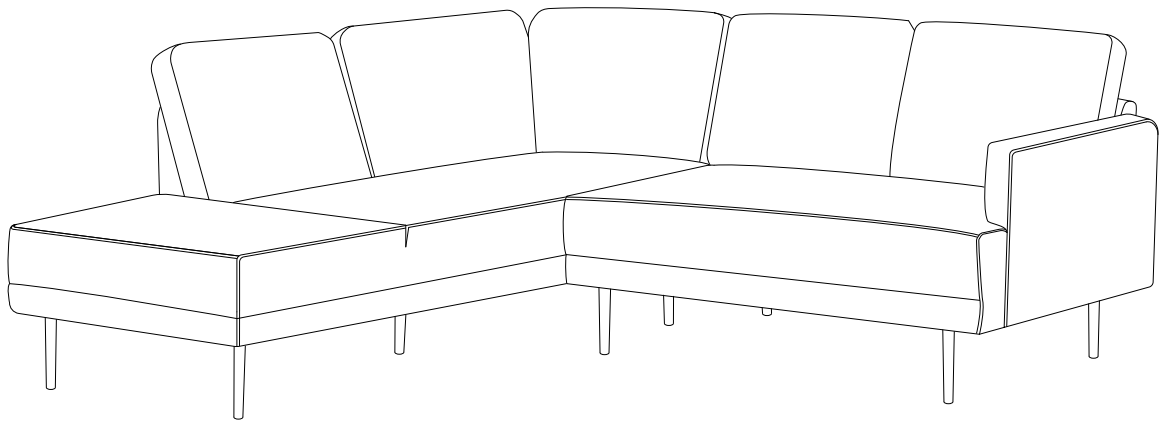
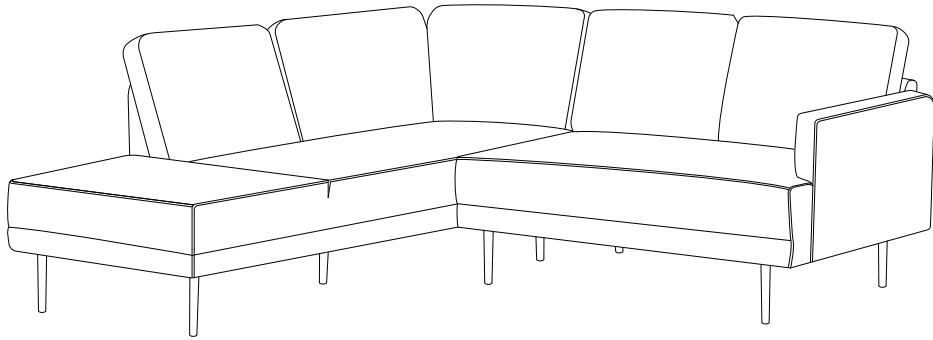


BREDA BIG





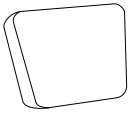
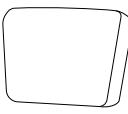
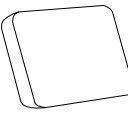
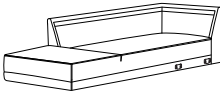
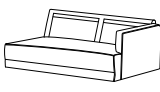
Assembly instructions for the sofa, including safety warnings and requirements.

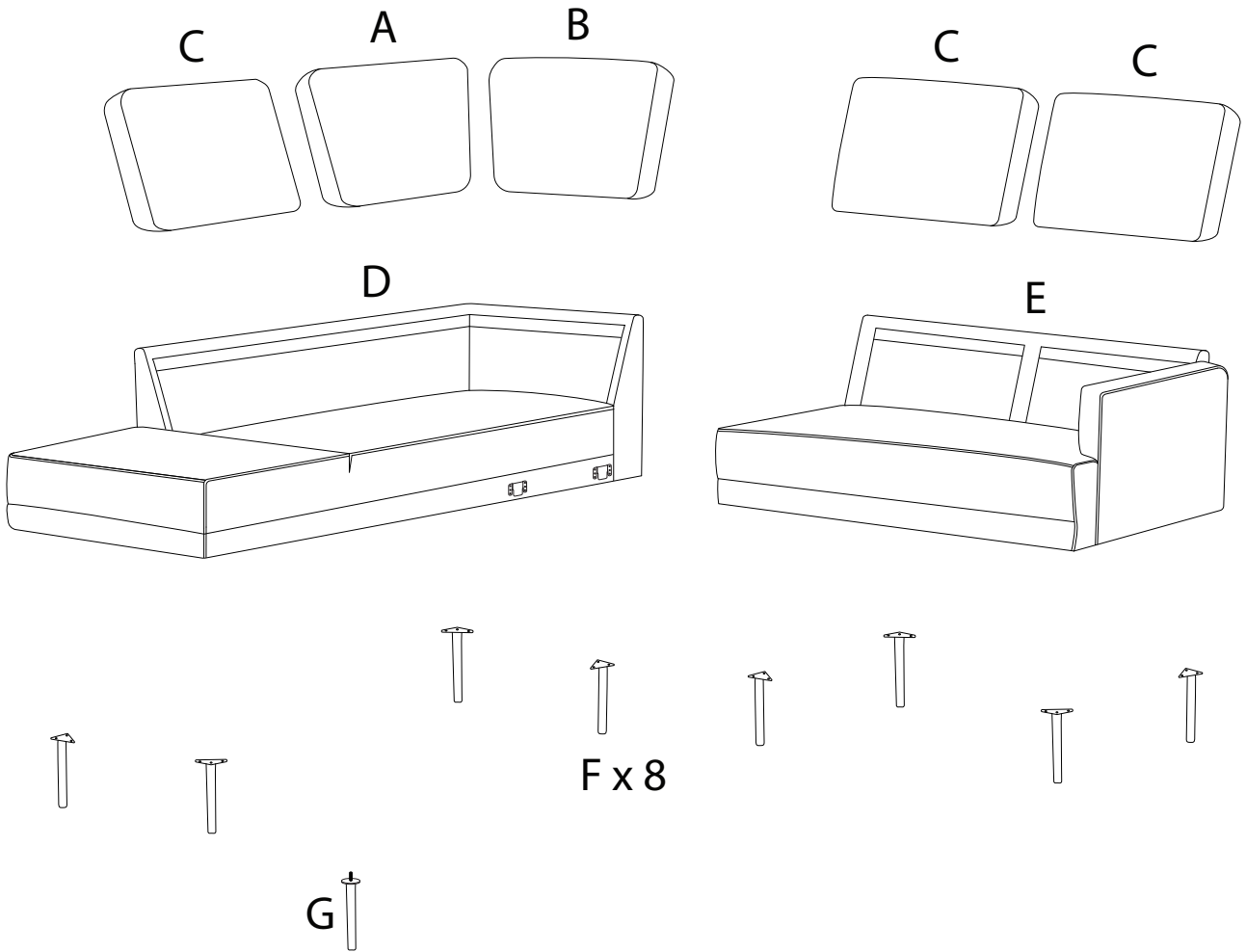
Warning 1: Do not use a power drill to tighten the L-shaped corner brackets. A warning triangle with an exclamation mark is shown next to a crossed-out power drill icon.

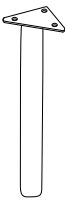

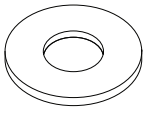
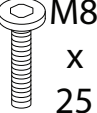

Warning 2: Do not place the sofa on a soft surface like a rug. A warning triangle with an exclamation mark is shown next to a crossed-out icon of a sofa on a rug.

Time: 30' (30 minutes)

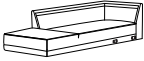
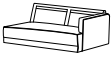



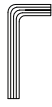
Personnel: 2 (Two people required)

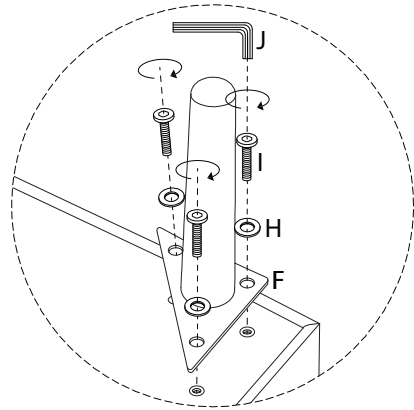
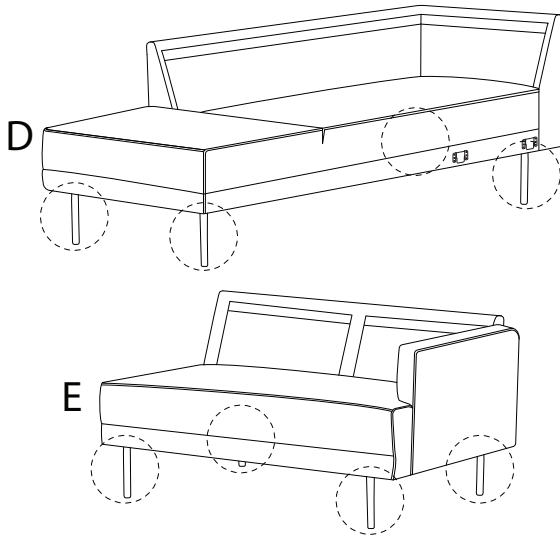
A	B	C	D	E
				
x 1	x 1	x 3	x 1	x 1



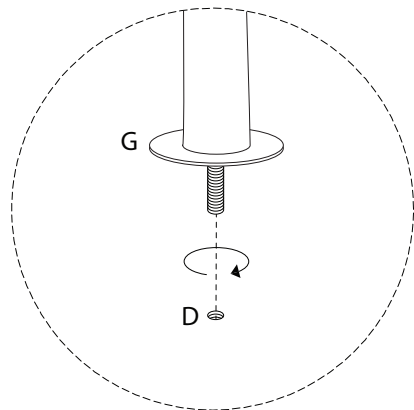
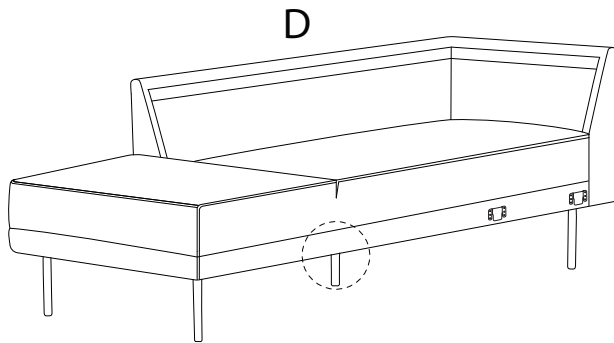
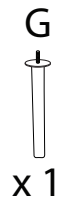
F	G	H	I	J
			 M8 x 25	
x 8	x 1	x 24	x 24	x 1

1

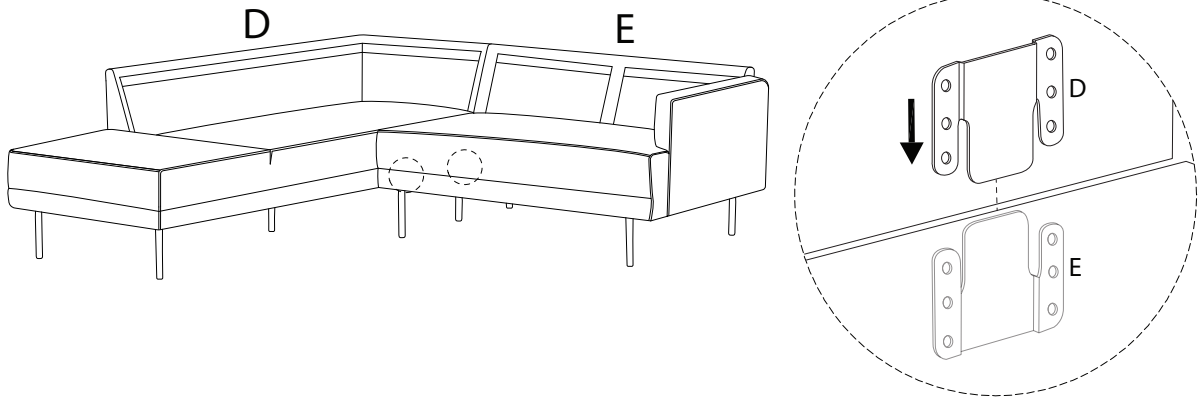
D  x 1	E  x 1	F  x 8	H  x 24	I  M8 x 25 x 24	J  x 1
--	--	--	--	---	--



2



3



4

