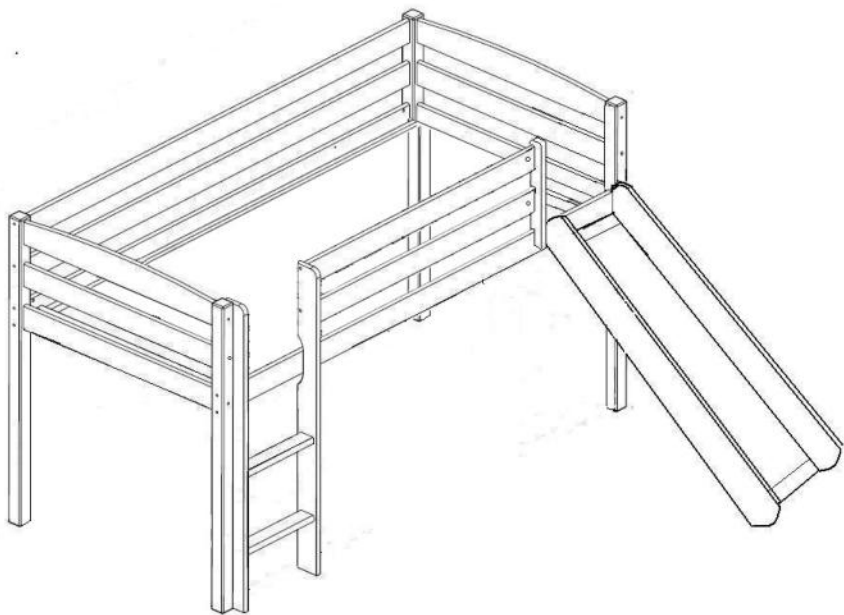
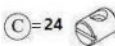
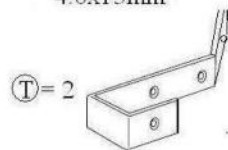
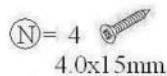
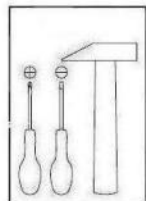
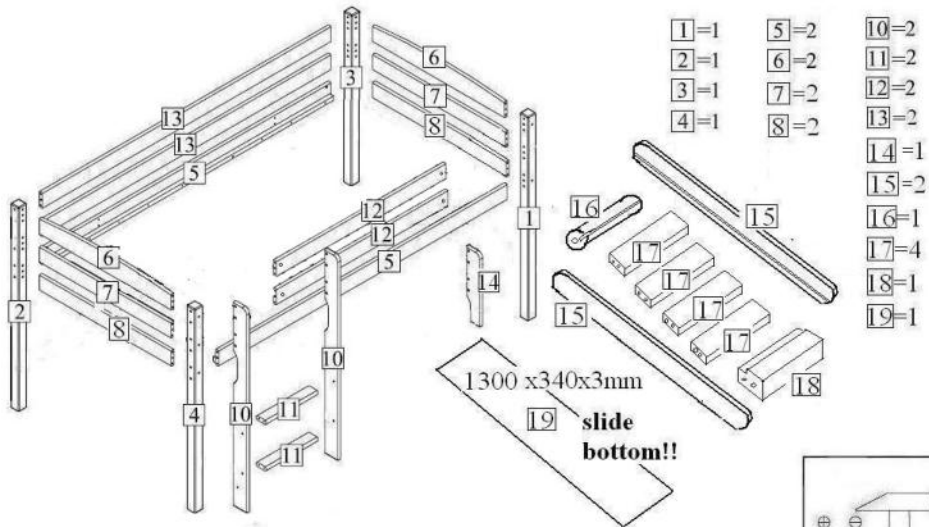
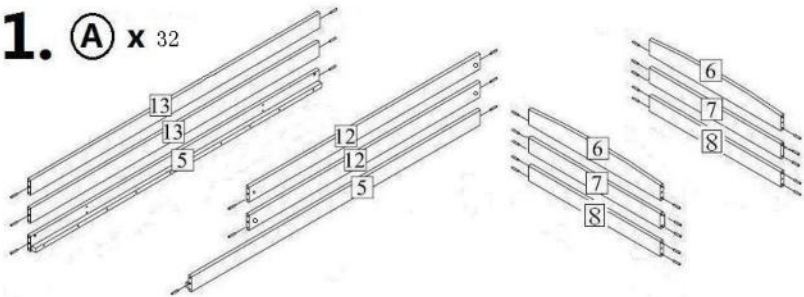


200\*90cm

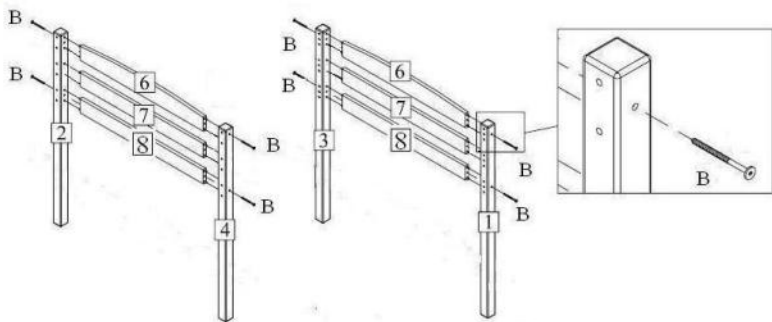




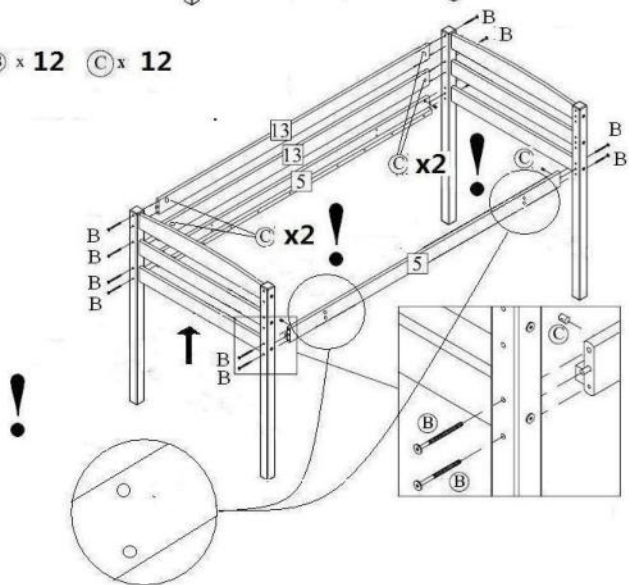
1. **(A)** x 32



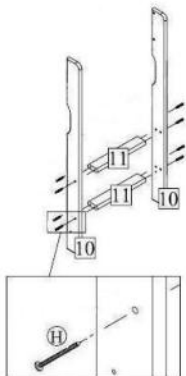
2. **(B)** x 8 **(C)** x 8



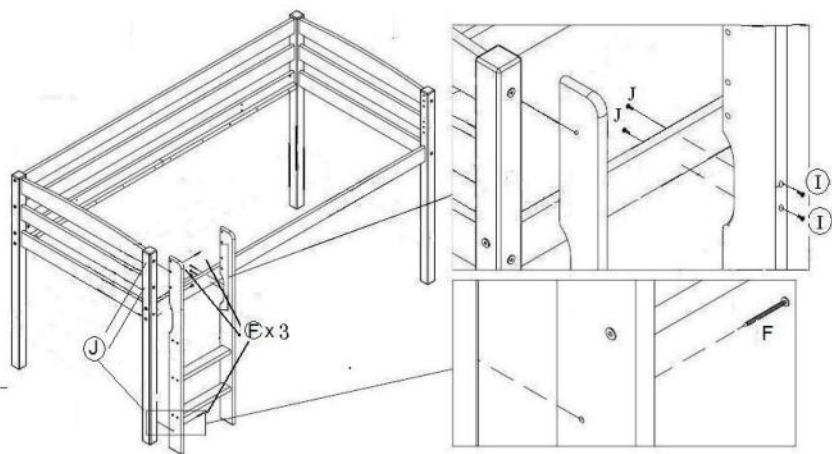
3. **(B)** x 12 **(C)** x 12



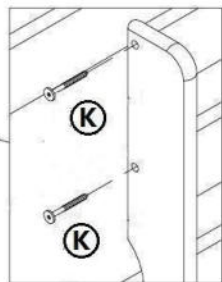
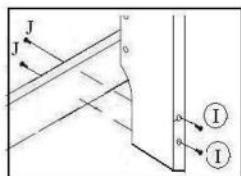
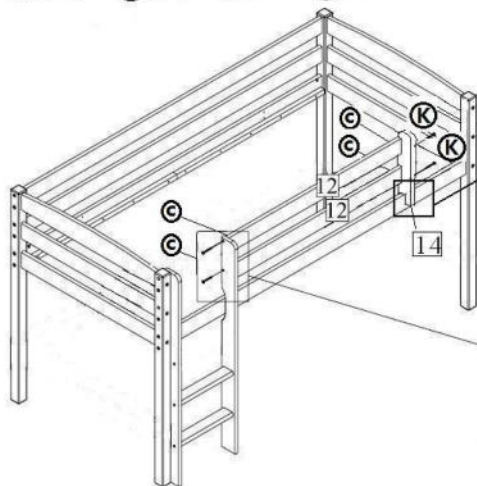
4. (H) x 8



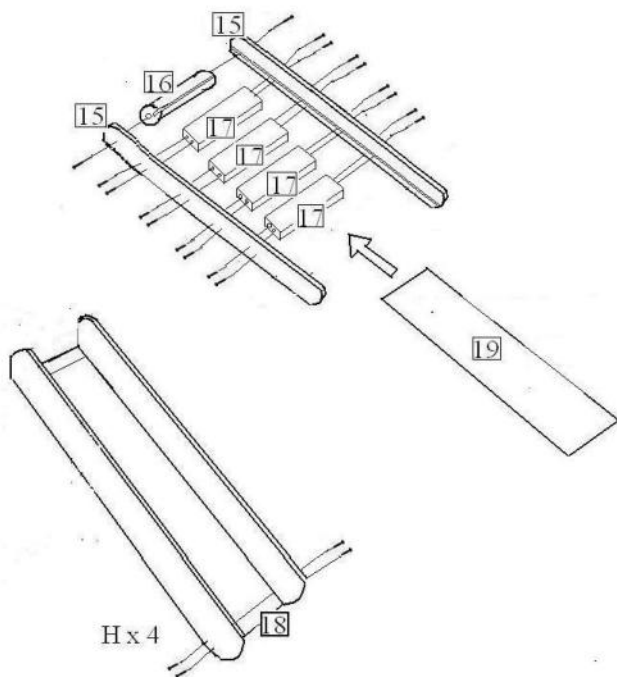
5. (J) x 5 (F) x 3 (I) x 2



**6.** (K) x 4 (C) x 4 (I) x 2 (J) x 2

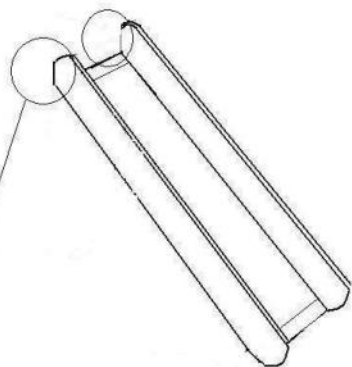
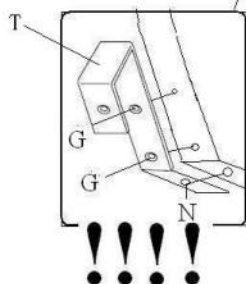


**7.** (H) x 22

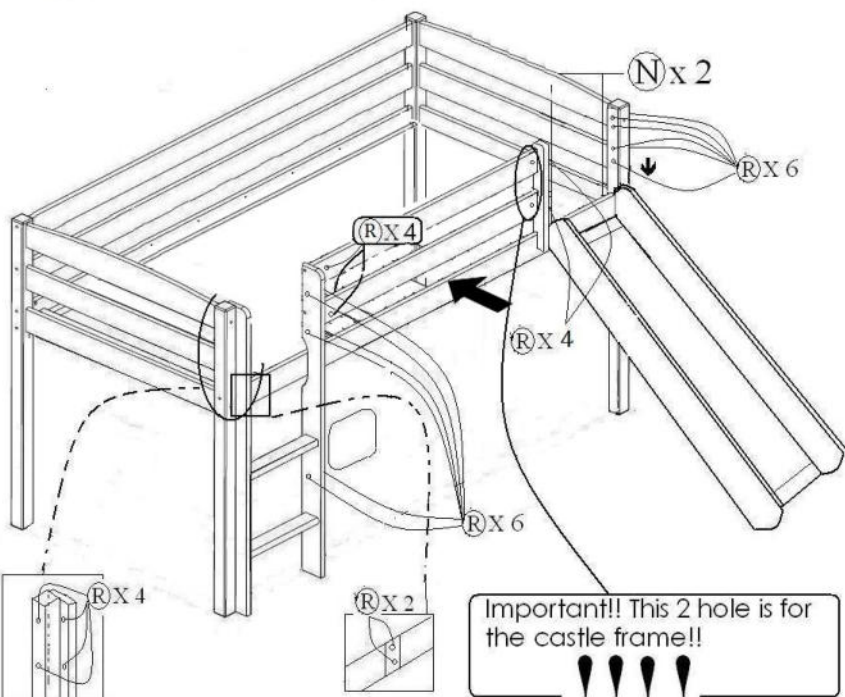


**8.**  $\textcircled{G} \times 4$   $\textcircled{T} \times 2$   $\textcircled{N} \times 2$

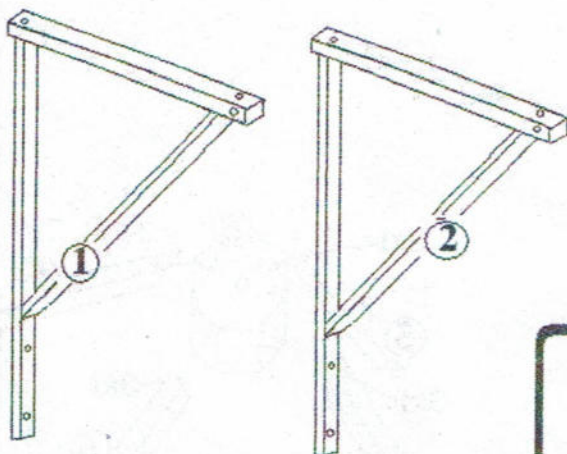
Important!! Pay attention to this hook assembly! G for upper assembly, and N for low



**9.**  $\textcircled{N} \times 2$   $\textcircled{R} \times 26$   $\textcircled{G} \times 32$

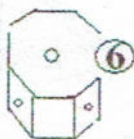
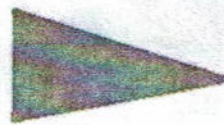
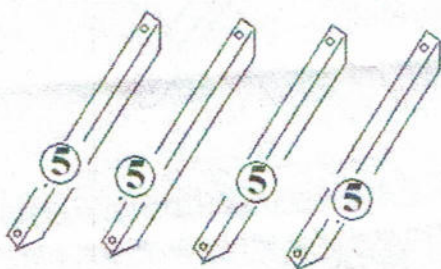




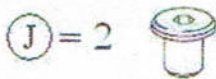
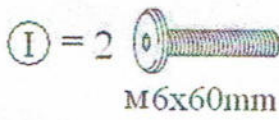
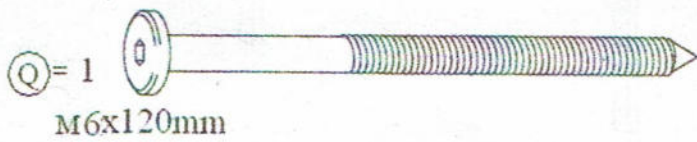
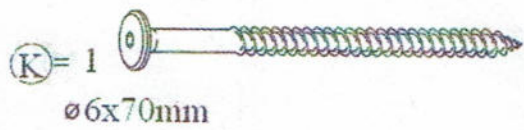
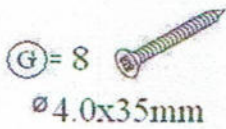
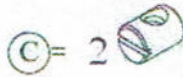
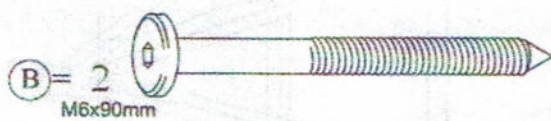


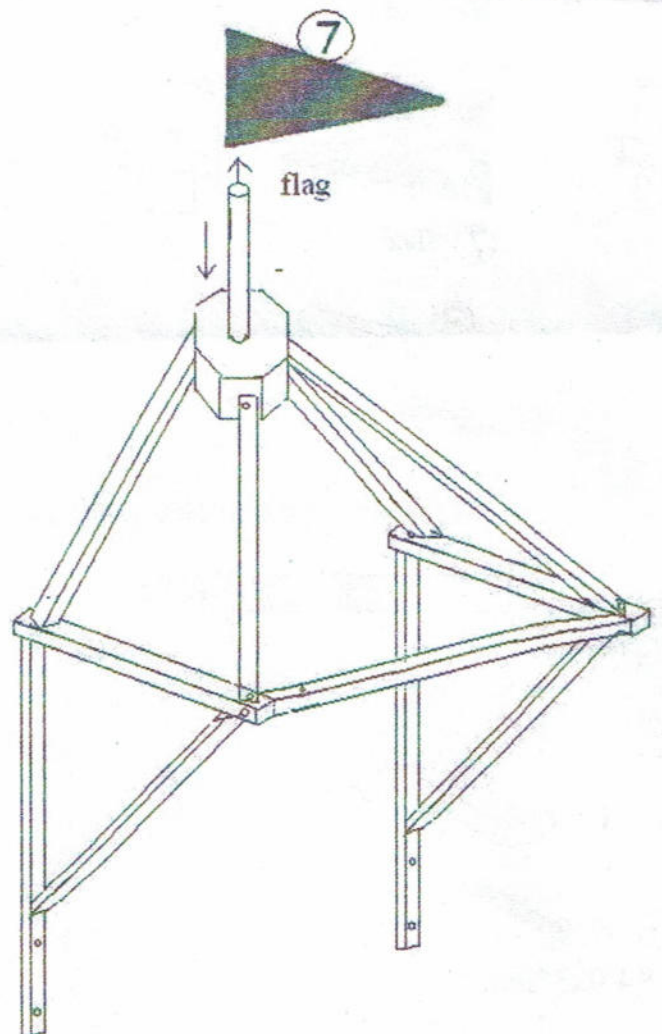
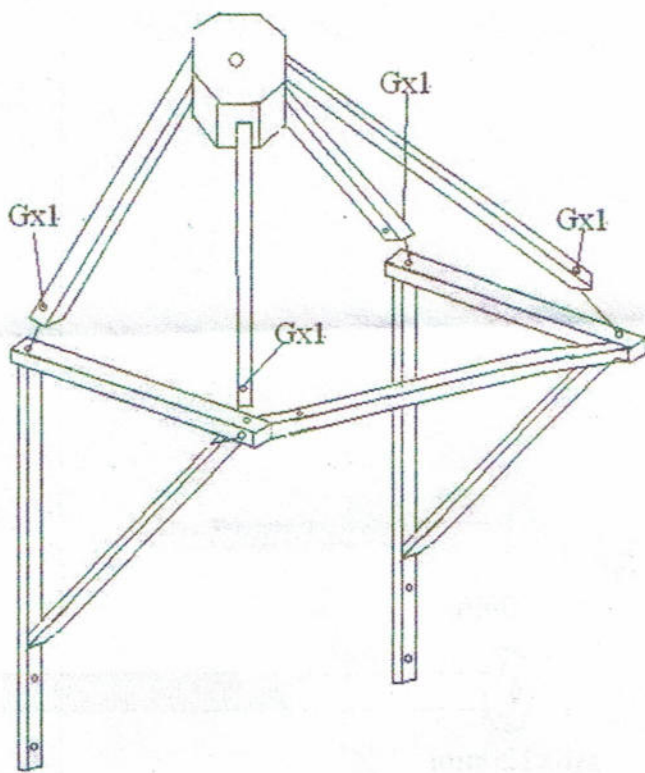
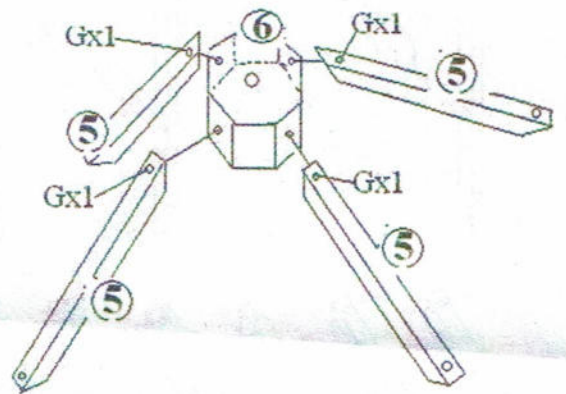
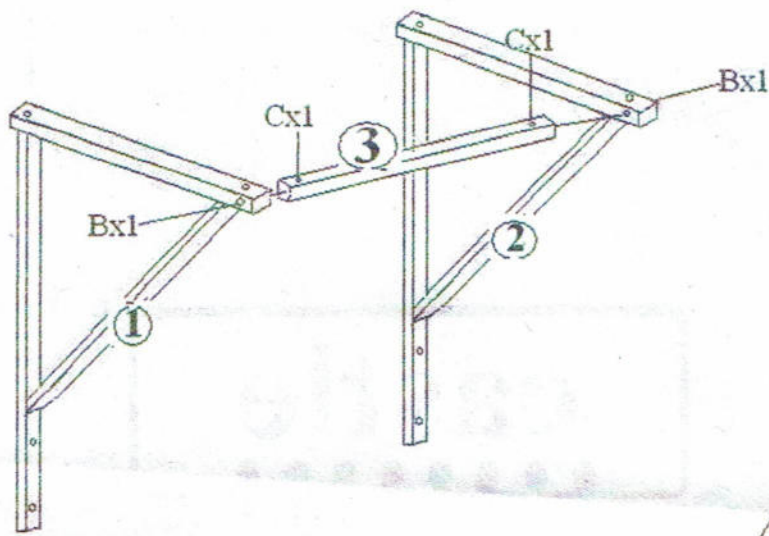
# castle

!!!



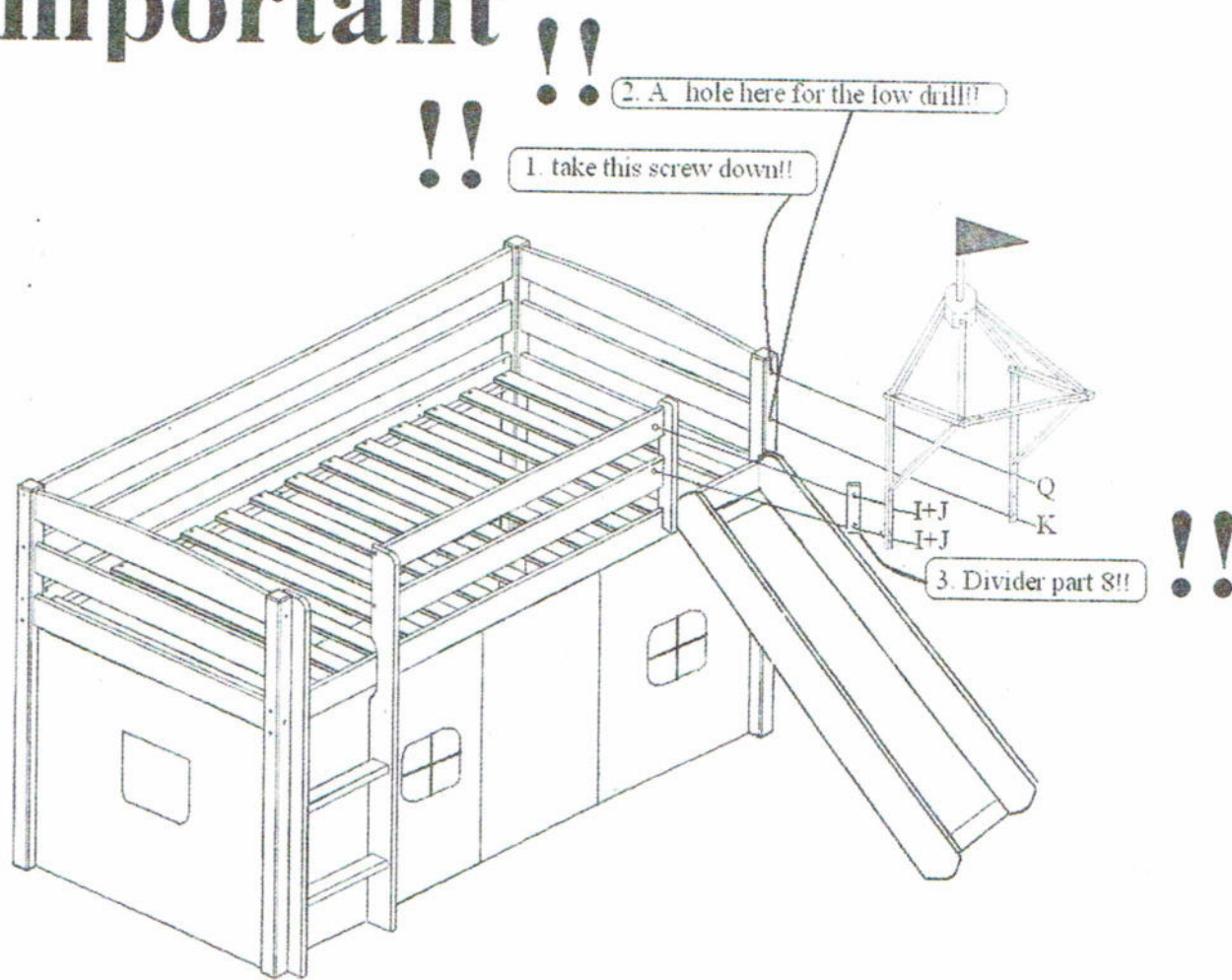
7 flag



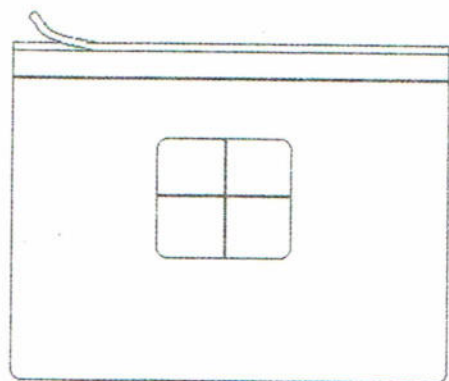




# important



Step 1: take the cover paper on the velcro away!  
Step 2: stick the male side onto inside of the bed frame!  
Step 3: attach the tent!



Note:  
1. attach tent 1 and 5 onto inside of endrail! Tent 2,3,4 onto inside of front side rail!!  
2. Tent washable!

NOTE: Finally put the textile castle onto the support frame!!

