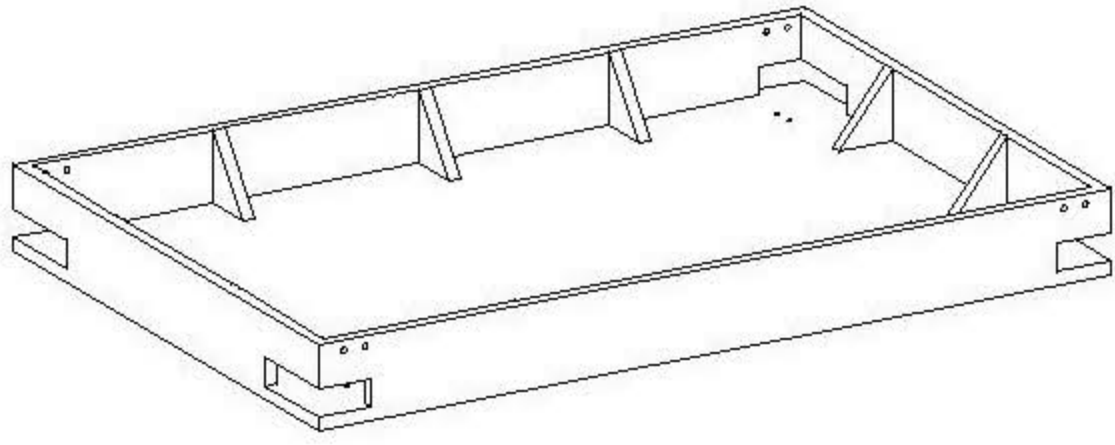


# ASSEMBLY INSTRUCTION

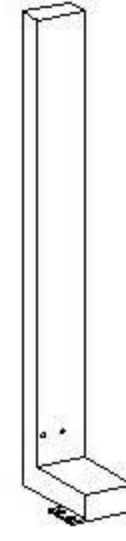
## DINING TABLE

### QJ-360 DT

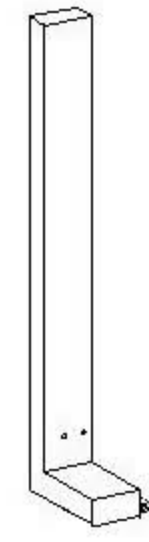
1-1x



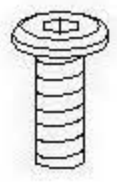
2-2x



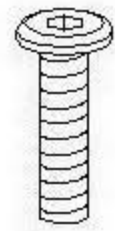
3-2x



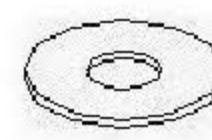
A-8x



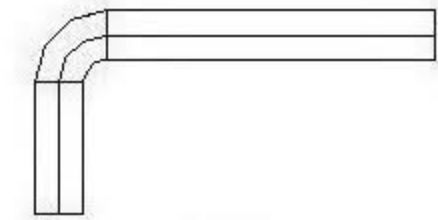
B-8x



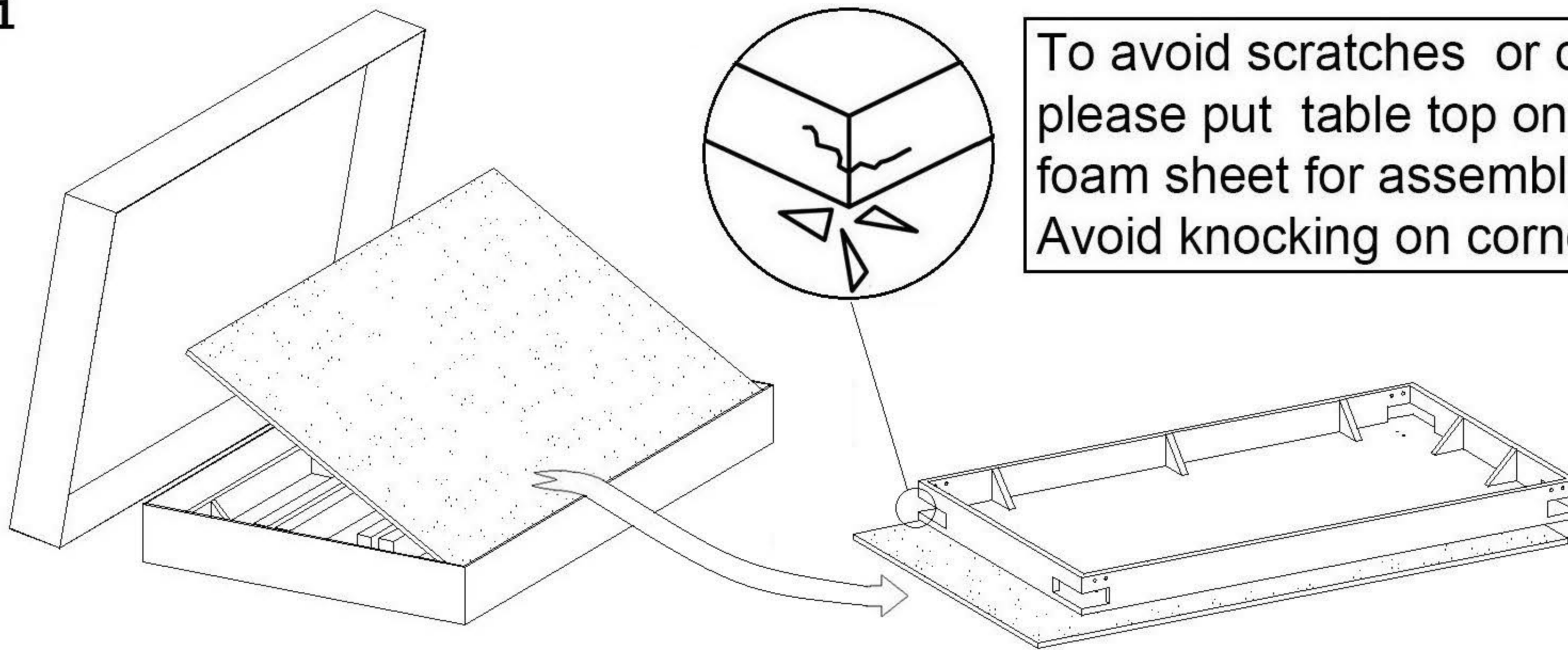
C-16x



D-1x

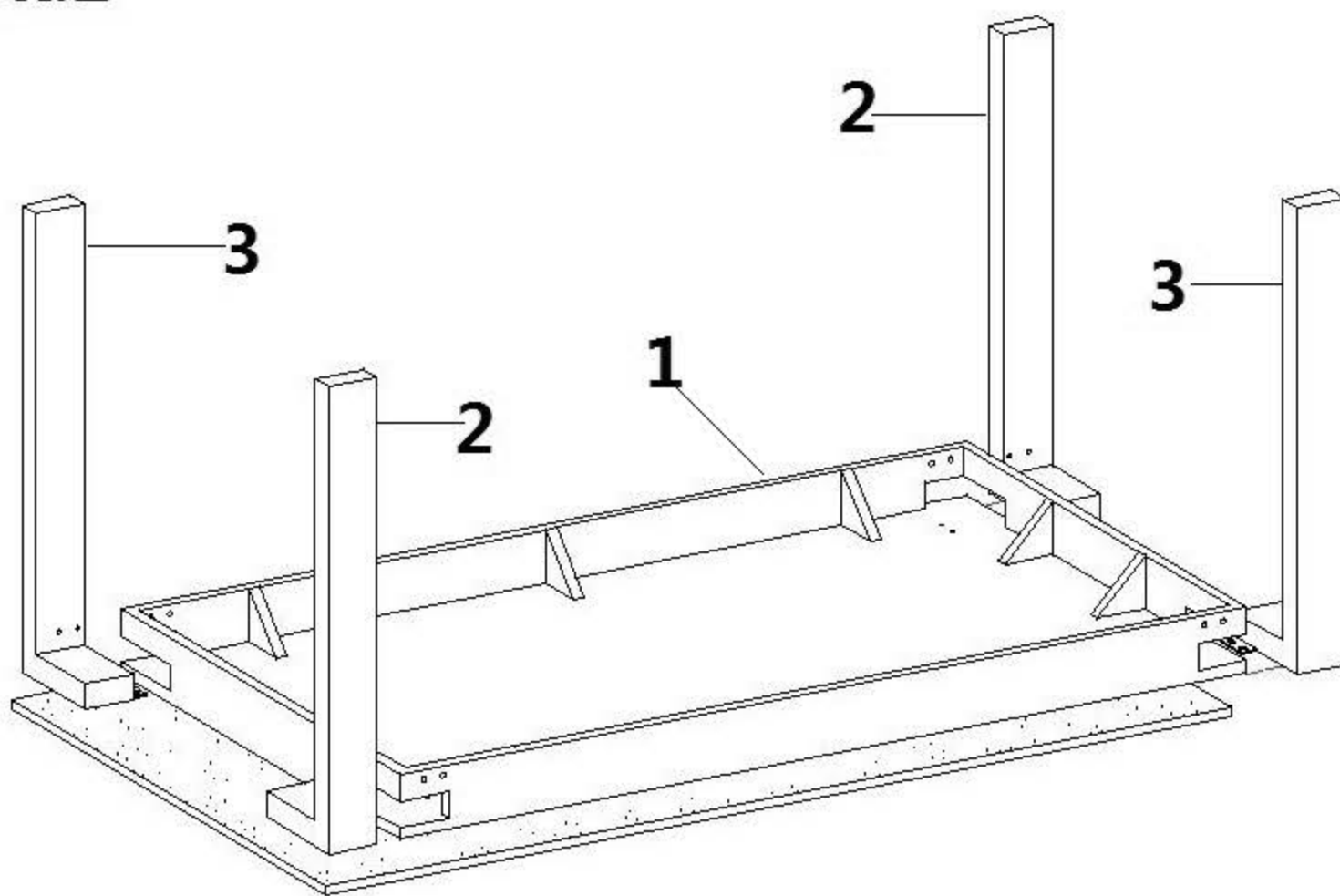


**Krok:1**

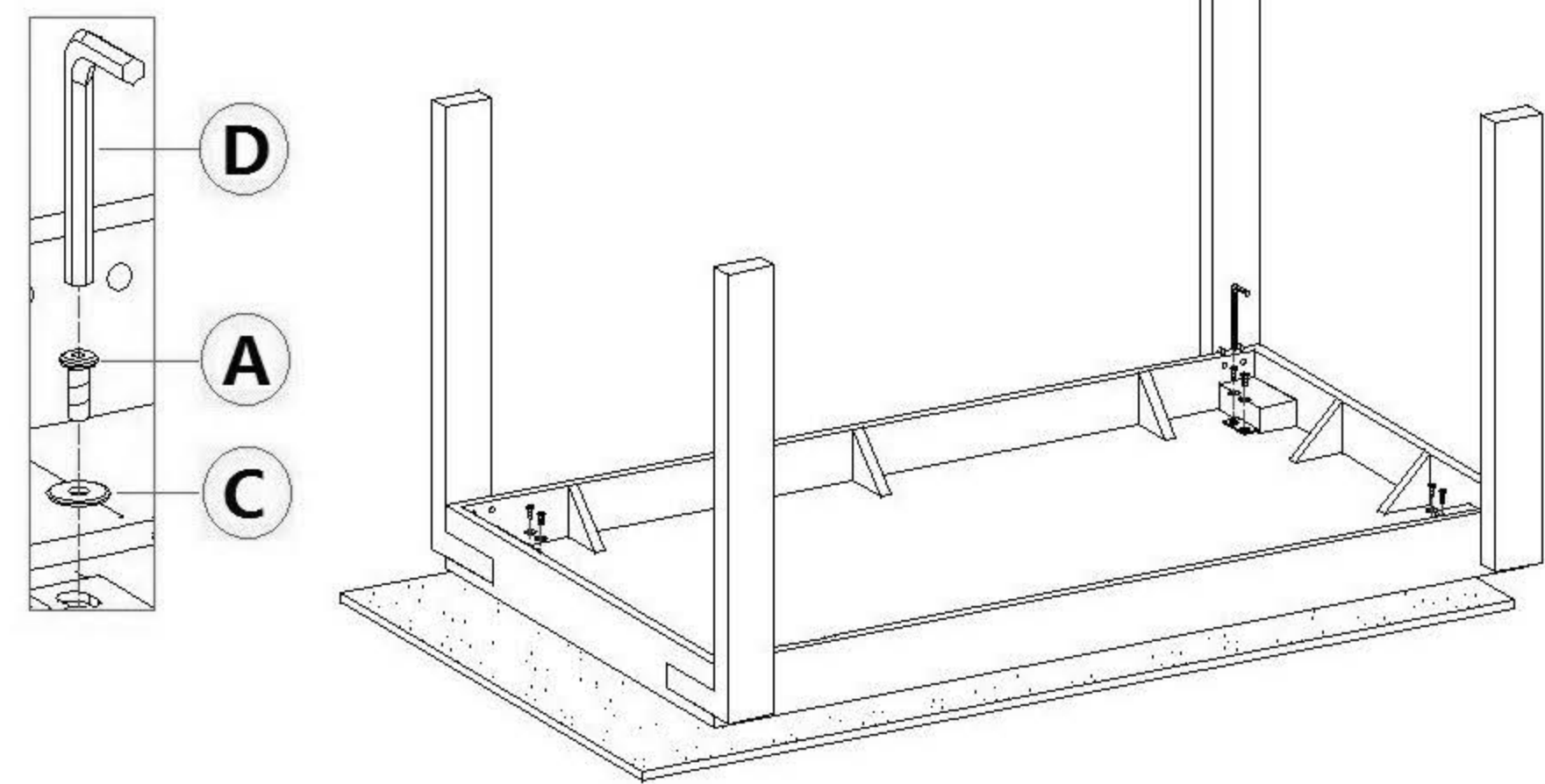


To avoid scratches or damages, please put table top on the white foam sheet for assembly works. Avoid knocking on corners or edges.

**Krok:2**



**Krok:3**



**Krok:4**

Please keep all screws loose and tighten TOGETHER after all parts are assembled to the correct positions.

