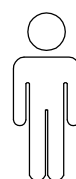
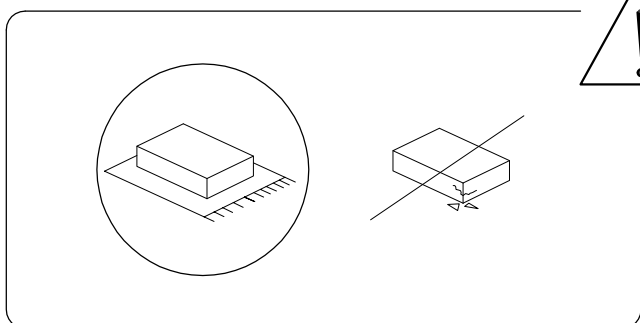
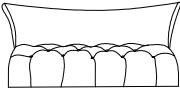

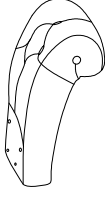

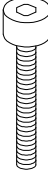


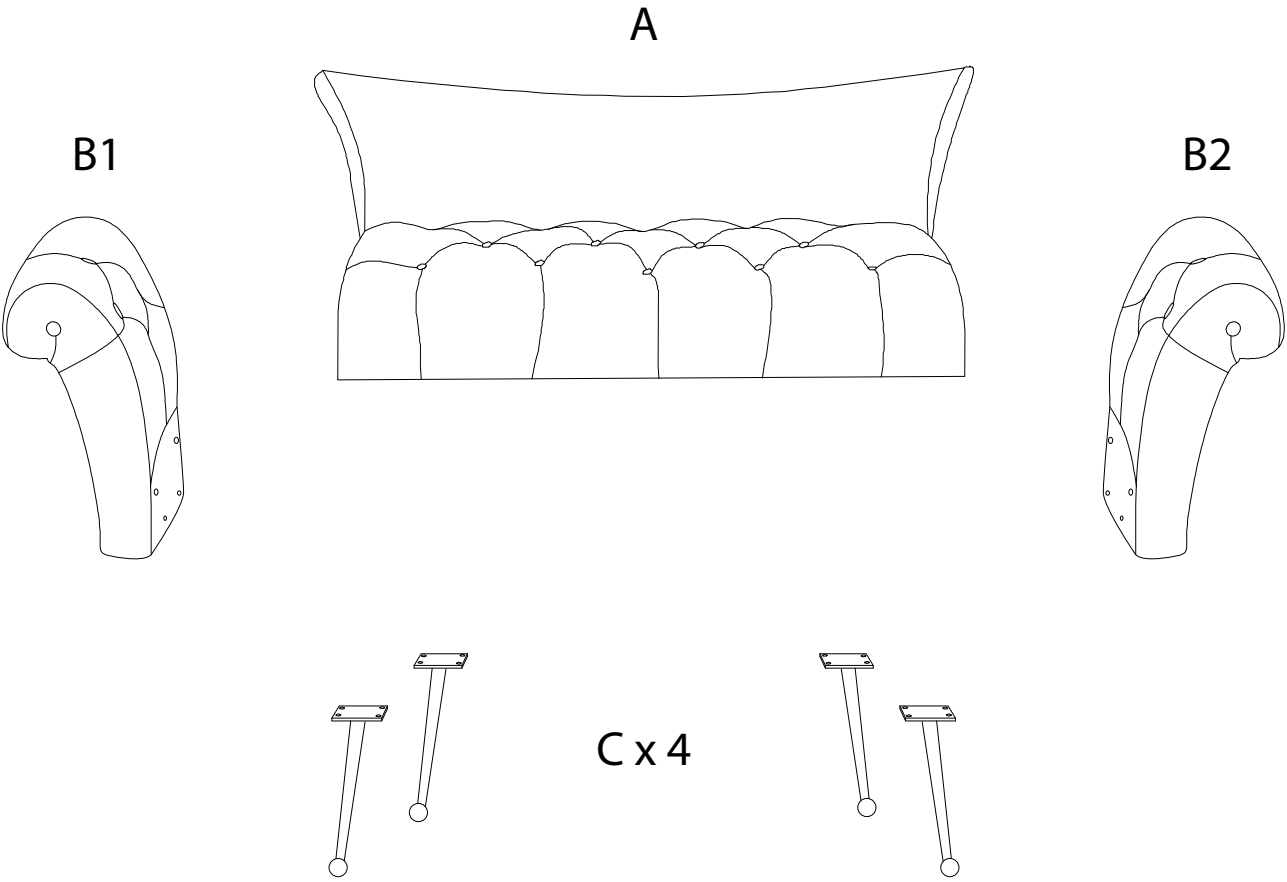
45'


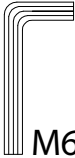


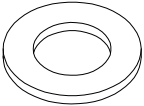


2

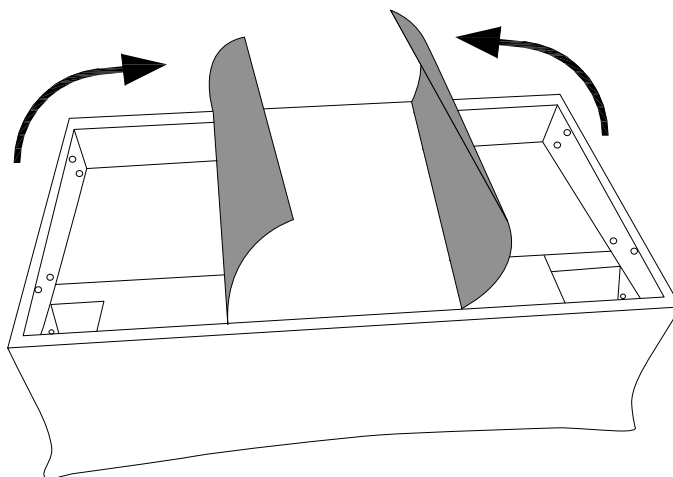
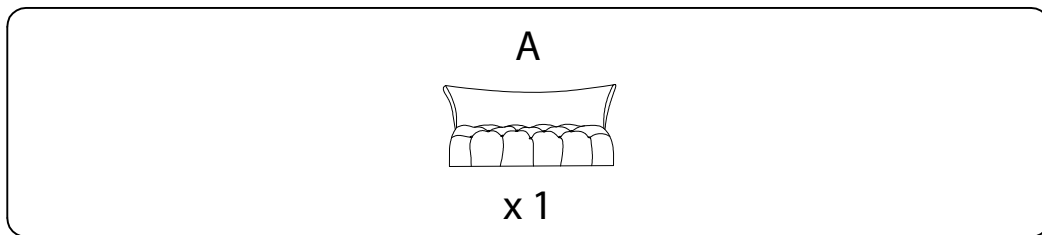
1/5

A	B1	B2	C	D
				
x 1	x 1	x 1	x 4	x 10

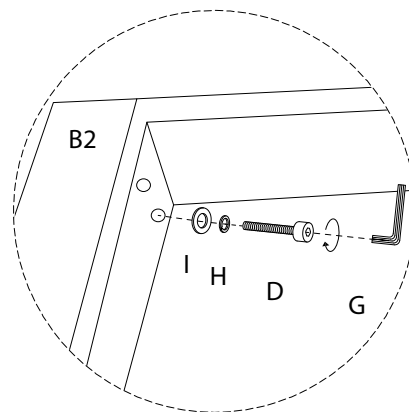
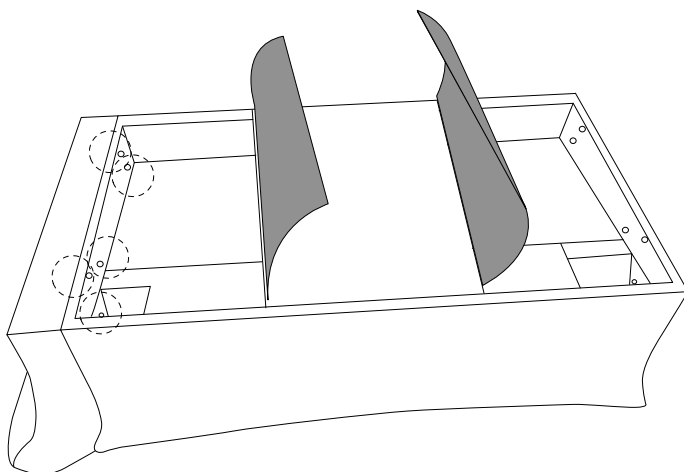
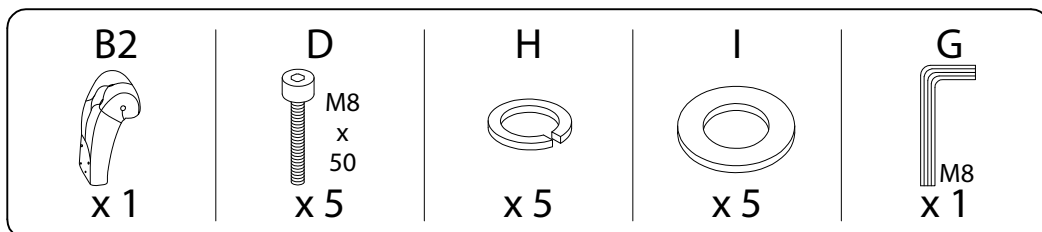


E	F	G	H	I
				
x 16	x 1	x 1	x 10	x 10

1



2



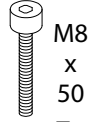
3

B1



x 1

D



x 5

H



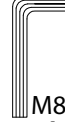
x 5

I

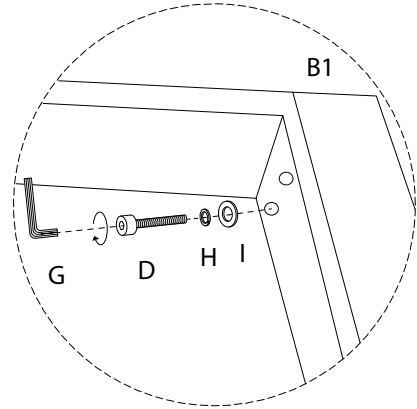
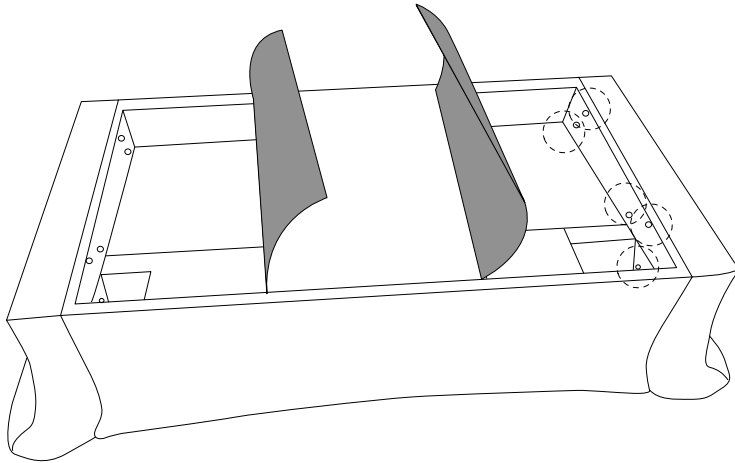


x 5

G



x 1



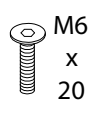
4

C



x 4

E

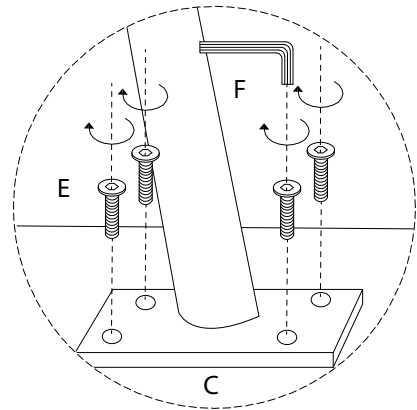
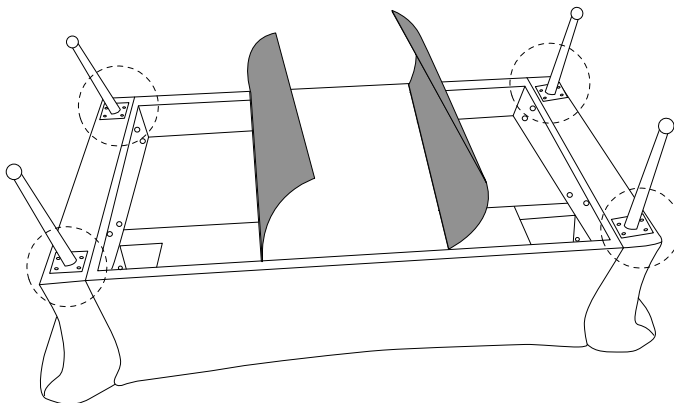


x 16

F



x 1



5

