




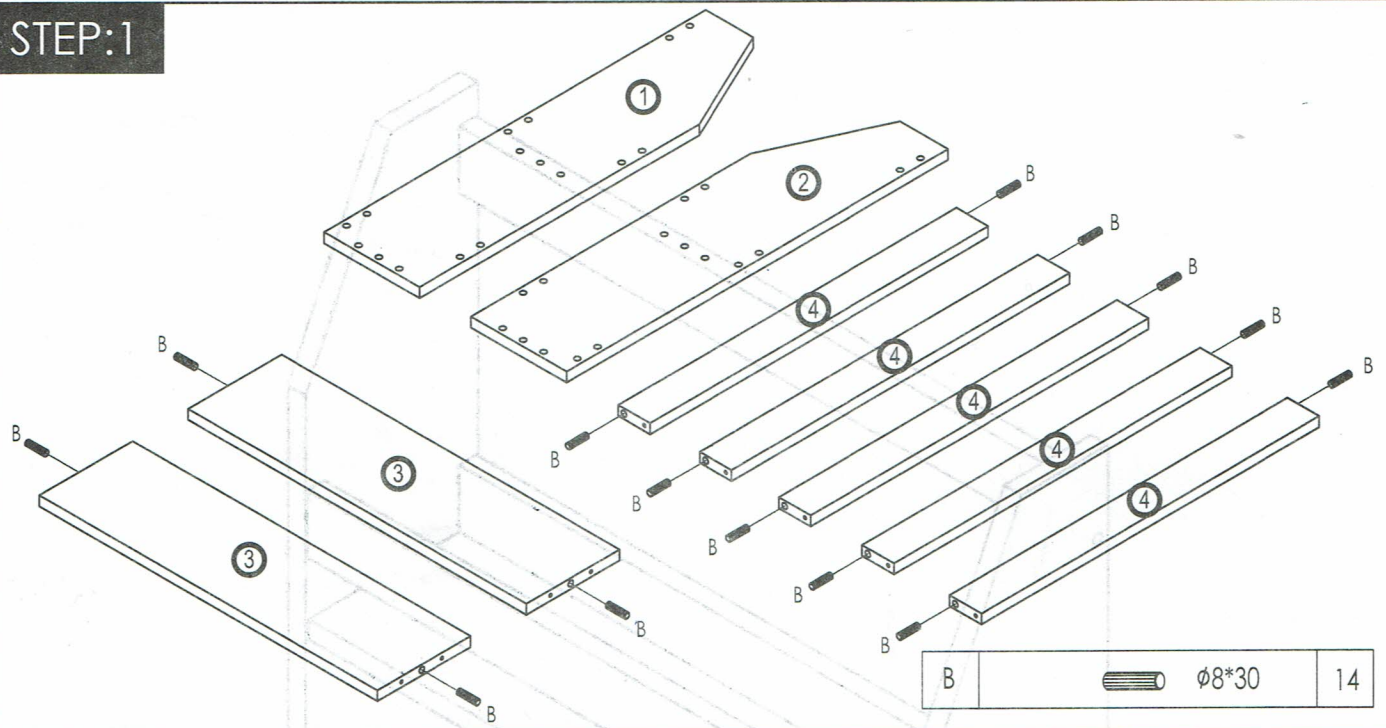



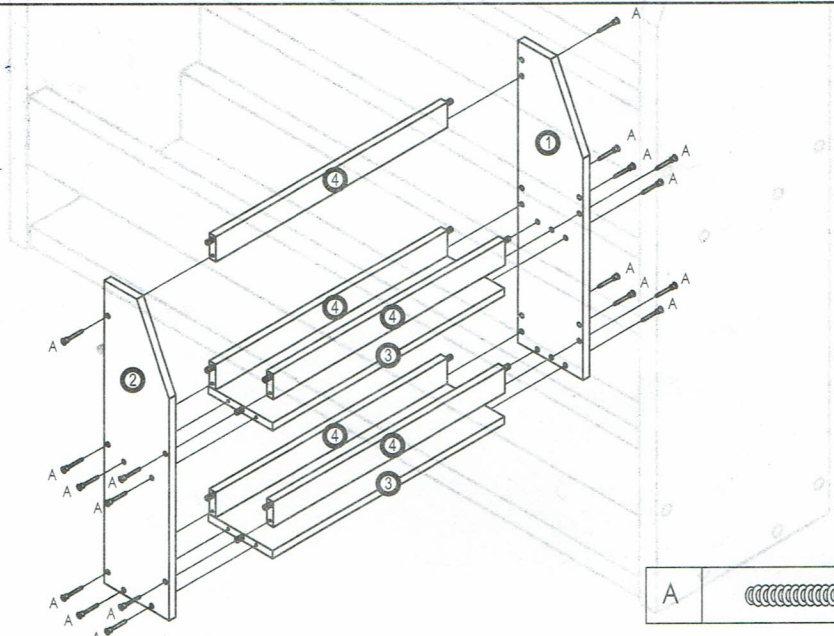
A		$\phi 7*50$	18
B		$\phi 8*30$	14
C			2
D		$3.5*16$	4
E			1


STEP:1



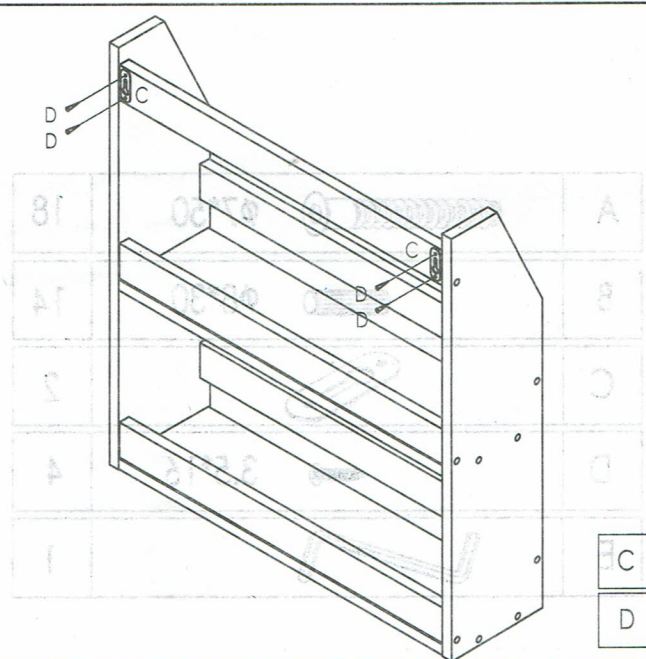
B		Ø8*30	14
---	---	-------	----



STEP:2



A		Ø7*50	18
---	---	-------	----

STEP:3



C			2
D		3.5*16	4