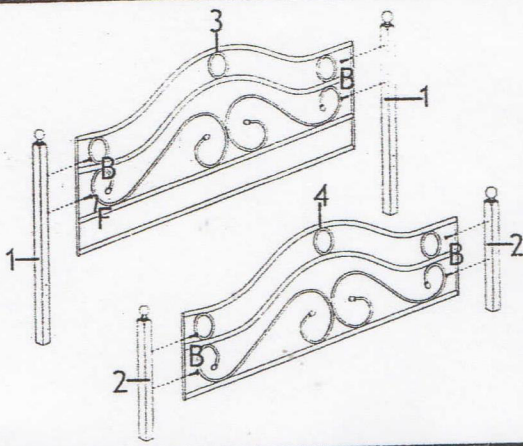


ASSEMBLY INSTRUCTION

MODEL : HOME 803-1 DOUBLE BED (Bentwood Slat) - 4 Support Legs
 Before you begin, please follow Assembly Instnction carefully. Follow them step by step.

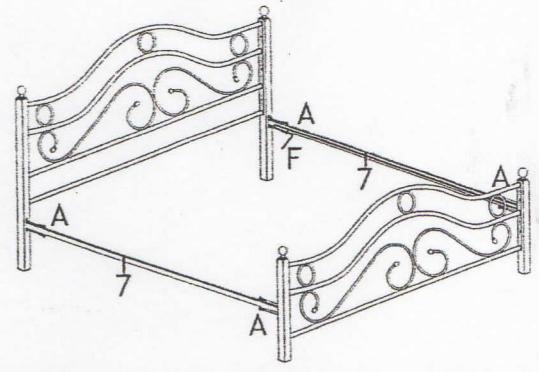
STEP 1

- (B) M6 X 20MM JCBC SCREW - 8 PCS
- (F) M4 ALLEN KEY - 1 PC



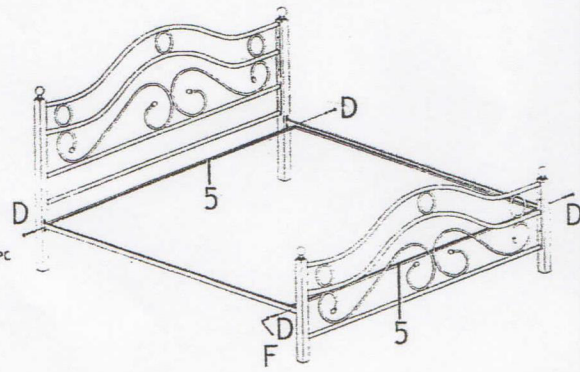
STEP 2

- (A) M6 X 20MM JCBB SCREW - 8 PCS
- (F) M4 ALLEN KEY - 1 PC



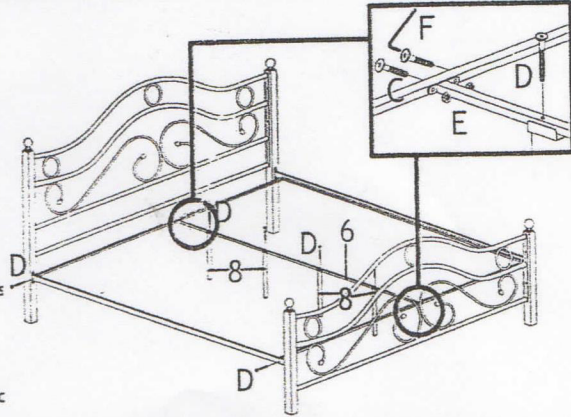
STEP 3

- (D) M6 X 50MM JCBC SCREW - 4 PCS
- (F) M4 ALLEN KEY - 1 PC



STEP 4

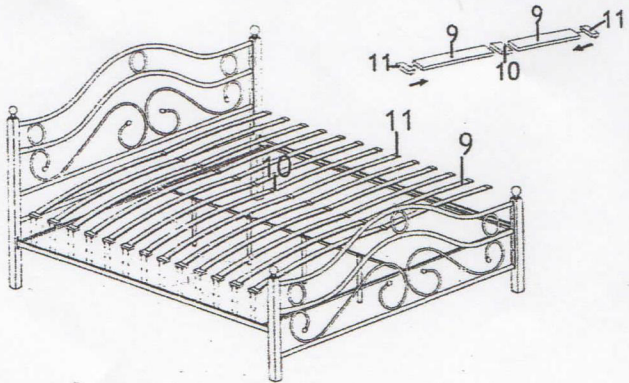
- (C) M6 X 35MM JCBC SCREW - 4 PCS
- (D) M6 X 50MM JCBC SCREW - 4 PCS
- (E) M6 HEX NUTS - 4 PCS
- (F) M4 ALLEN KEY - 1 PC



ASSEMBLY INSTRUCTION

MODEL : HOME 803 -1 DOUBLE BED (Bentwood Slat) - 4 Support Legs
 Before you begin, please foliow Assembly Instnction carefully. Follow them step by step.

STEP 5



FULL SETUP

PART LIST

1 HEAD POST X 2 PCS	2 FOOT POST X 2 PCS	7 METAL SIDE RAIL X 2 PCS
3 HEADBOARD X 1 PC	4 FOOTBOARD X 1 PC	8 CENTER SUPPORT LEGS X 4 PCS
5 MIDDLE RAIL X 2 PCS	9 BENTWOOD X 26 PCS	10 DOUBLE SLAT HOLDER X 13 PCS
6 CENTER RAIL X 1 PC	11 SINGLE SLAT HOLDER X 26 PCS	

HARDWARE LIST

(A) M6 X 20MM JCBB SCREW - 8 PCS	(D) M6 X 50MM JCBC SCREW - 8 PCS
(B) M6 X 20MM JCBC SCREW - 8 PCS	(E) M6 HEX NUTS - 4 PCS
(C) M6 X 35MM JCBC SCREW - 4 PCS	(F) M4 ALLEN KEY - 1 PC