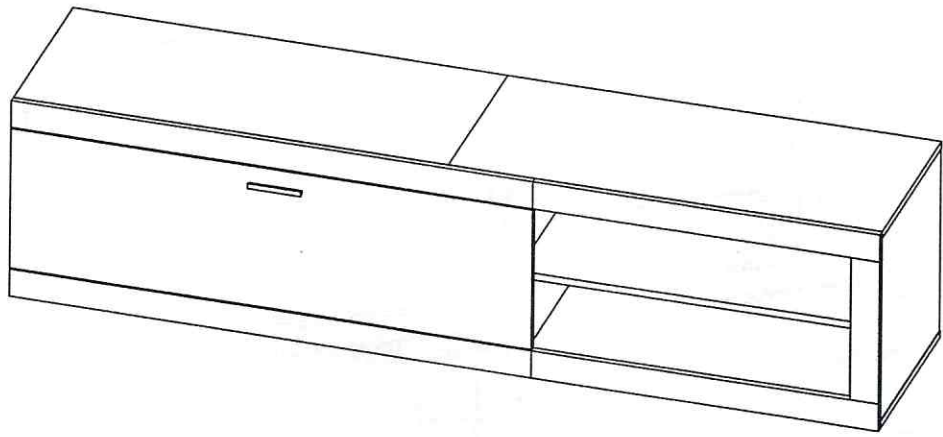

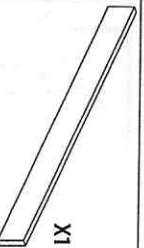
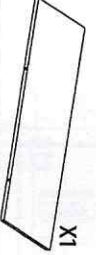
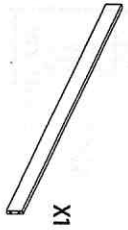

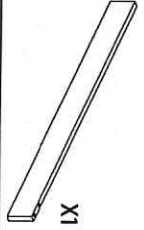

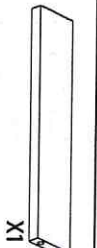
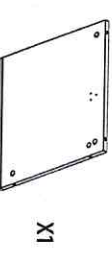
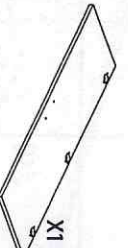
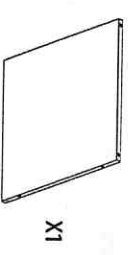
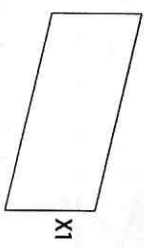
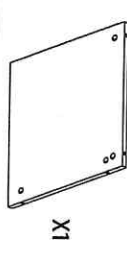
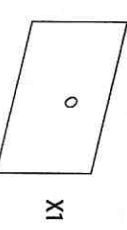
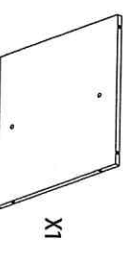
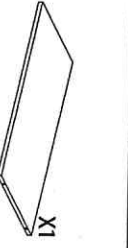
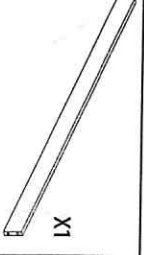


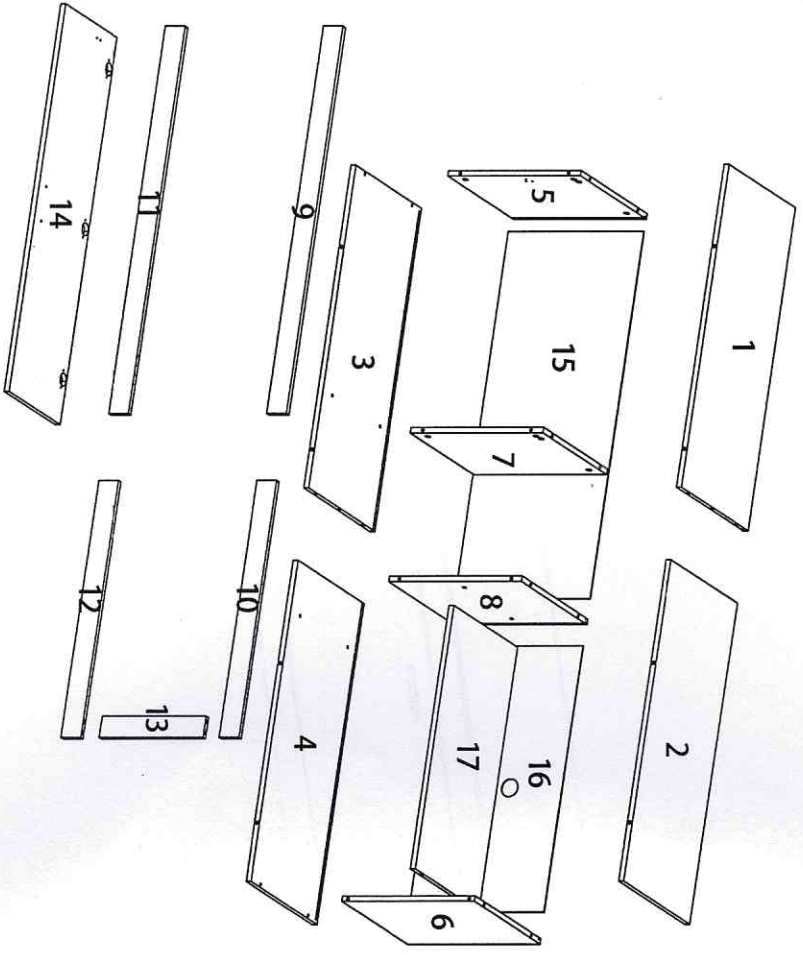
# Assembly Instruction



Unit: (mm)









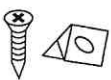



PARTS LIST

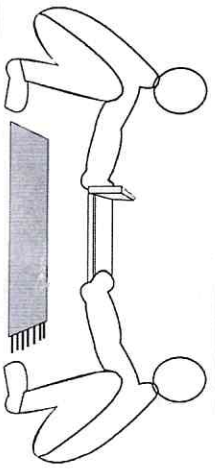
1		X1	900x400	2/2	10		X1	721x62	1/2
2		X1	900x400	2/2	11		X1	1080x62	1/2
3		X1	900x400	1/2	12		X1	721x62	1/2
4		X1	900x400	1/2	13		X1	302x62	1/2
5		X1	395x400	2/2	14		X1	1080x296	1/2
6		X1	395x400	2/2	15		X1	1024x404	1/2
7		X1	395x386	2/2	16		X1	747x404	1/2
8		X1	395x400	2/2	17		X1	738x385	2/2
9		X1	1080x62	1/2					



Unit: (mm)

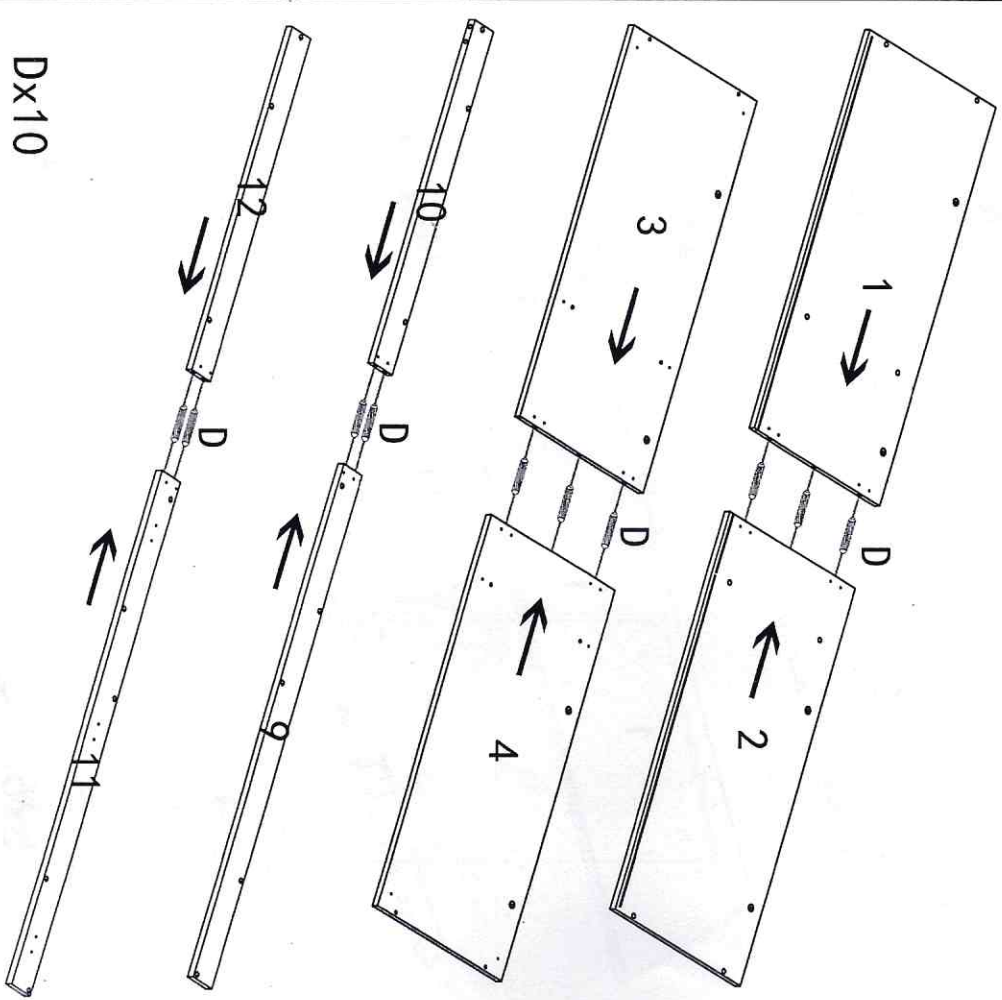
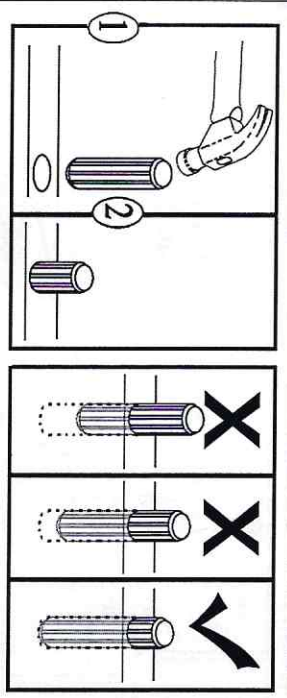
# ACCESSORIES LIST

A		X28	6x40	2/2	B		X28	15x11	2/2
C		X1	pull rod	2/2	D		X14	8x40	2/2
E		X55	M3.5x14	2/2	F		X8 X1	M5x40/#3	2/2
G		X8	10x40	2/2	H		X3	Hinge	2/2
J		X10 X10	M3x14	2/2	K		X1 X2	96/M4x18	2/2
L		X6	37x37	2/2			X12	21mm	2/2



4

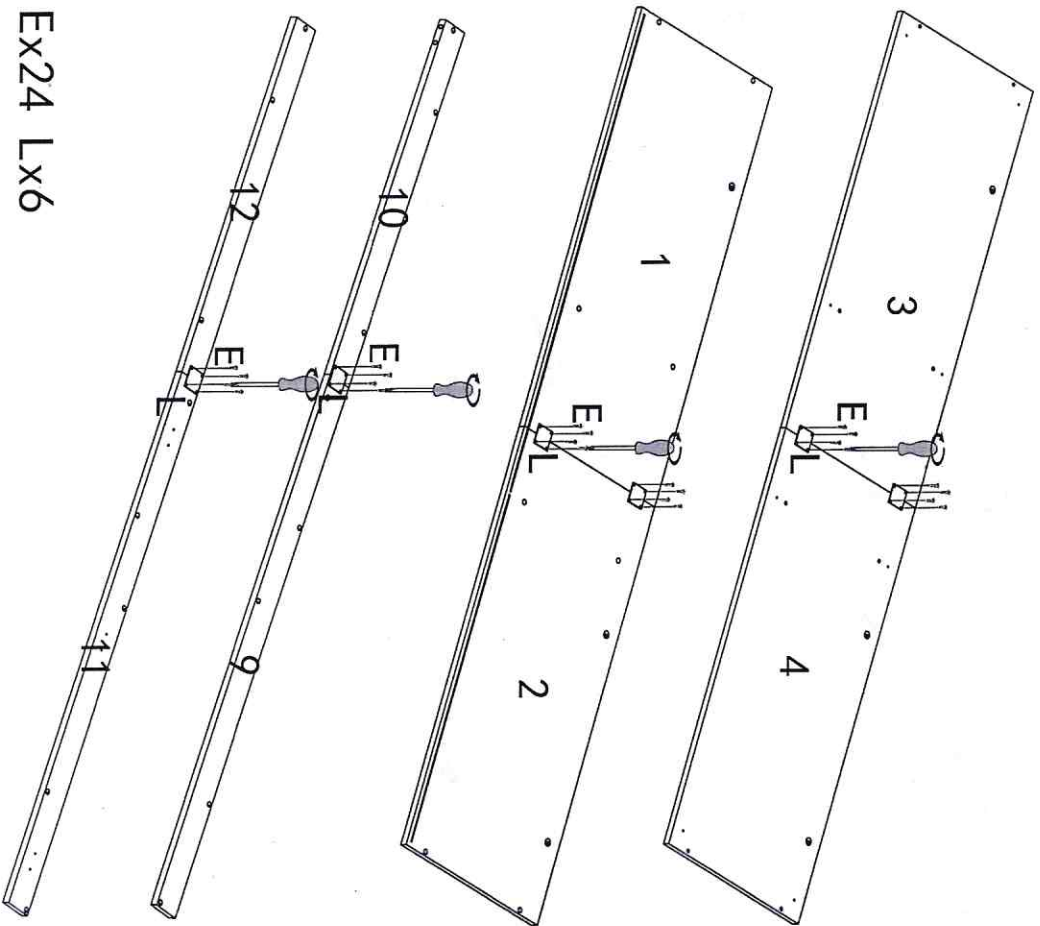
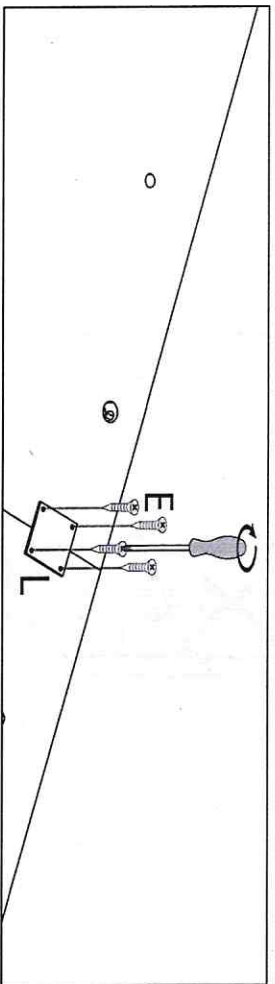
## Step 1



Dx10

5

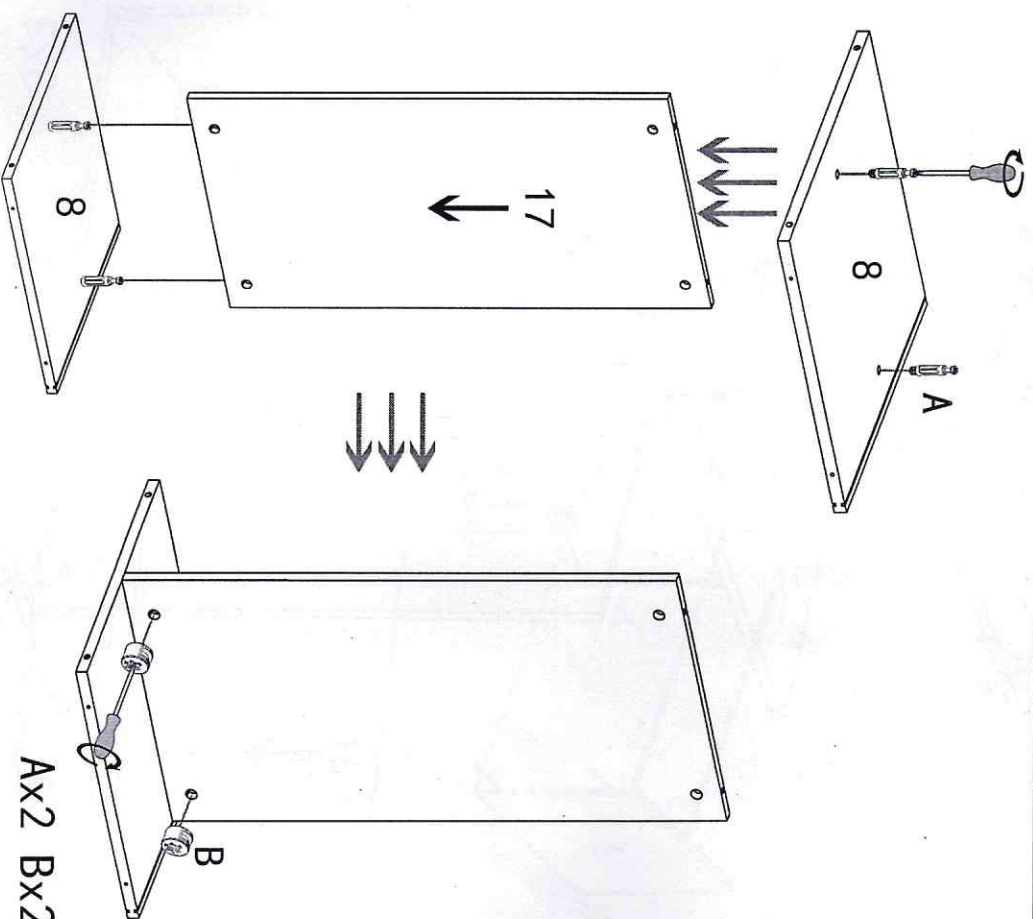
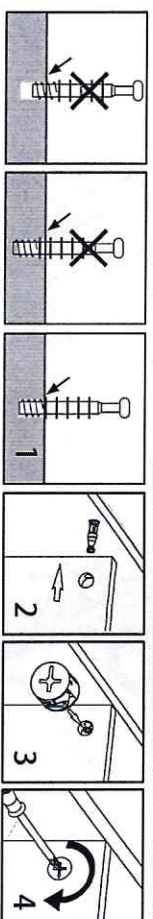
### Step 2



6

### Step 3

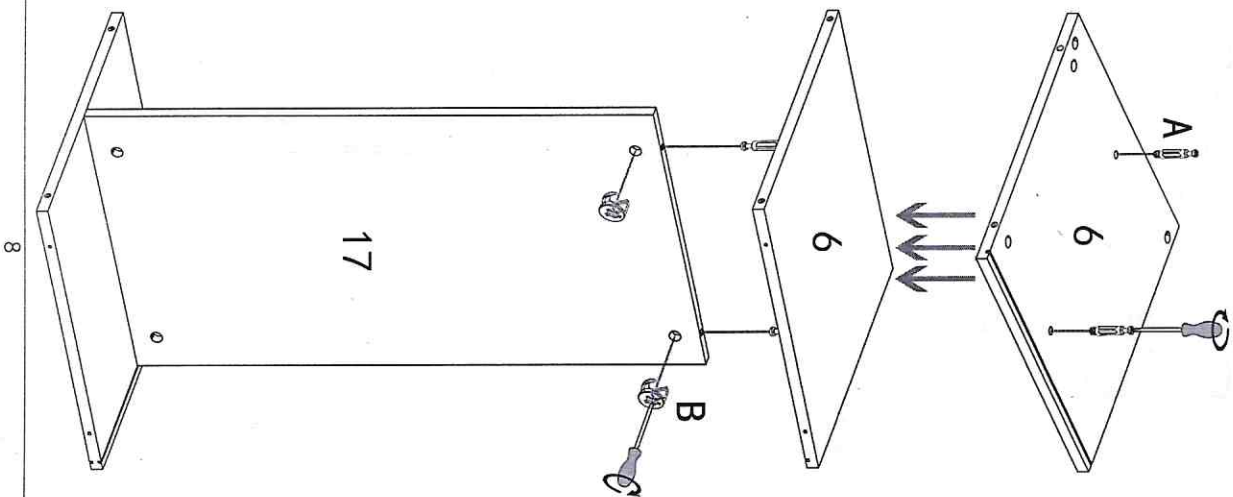
Installation method of three in one rod and buckle



7

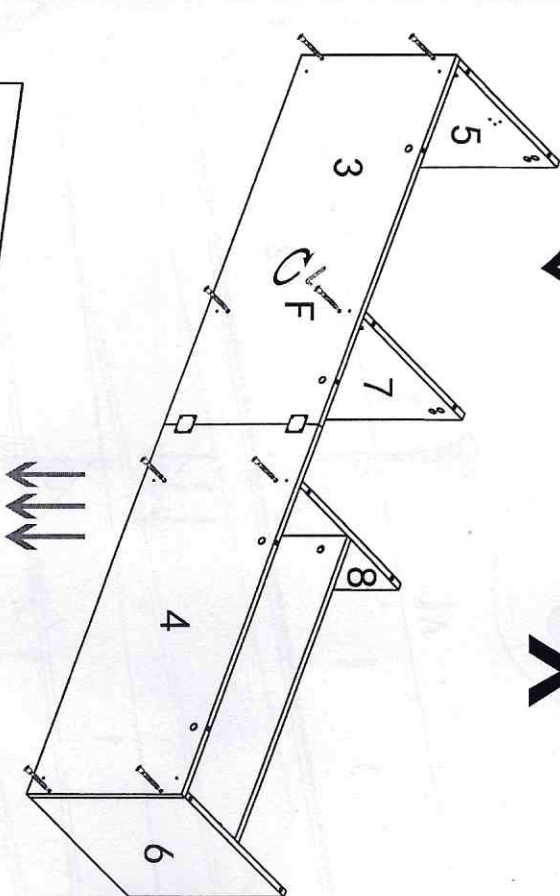
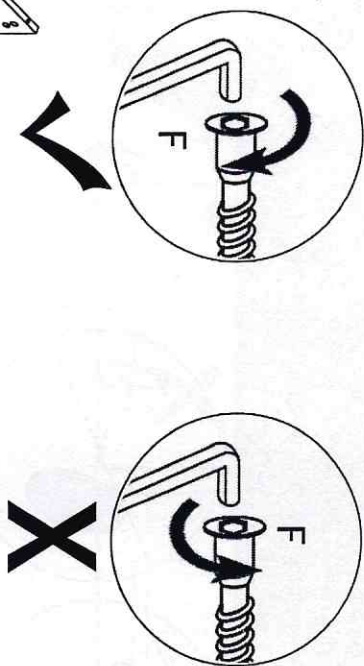
### Step 4

When installing accessories A and B, please refer to the installation method of the same accessories in step 3

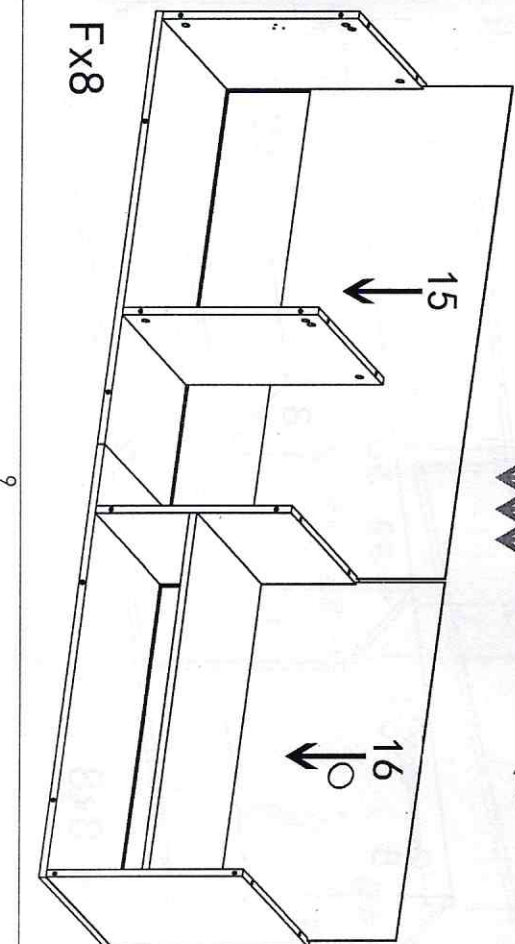


Ax2 Bx2

### Step 5

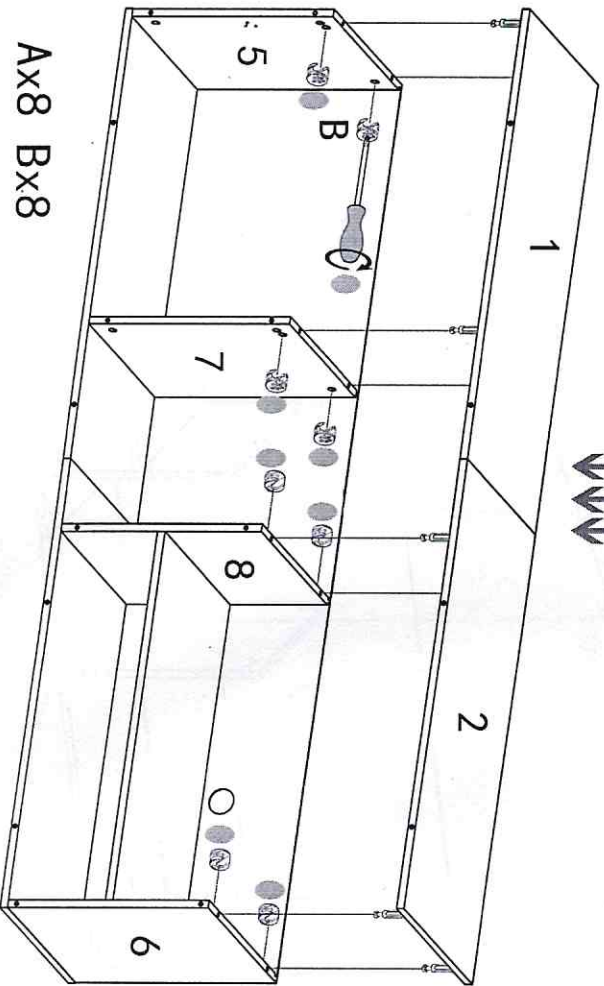
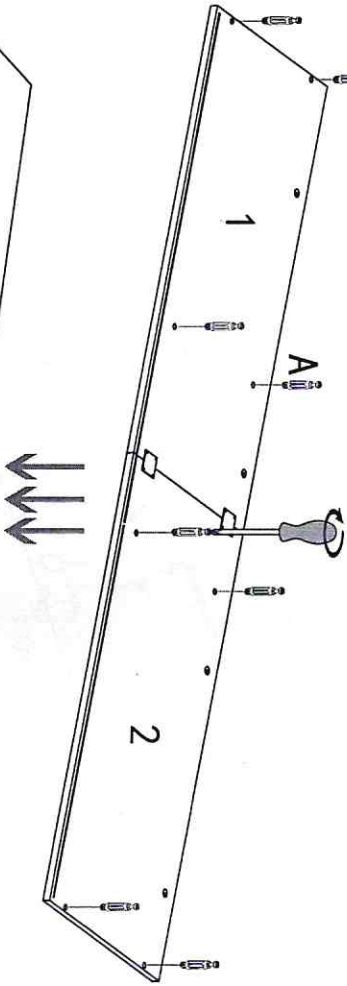
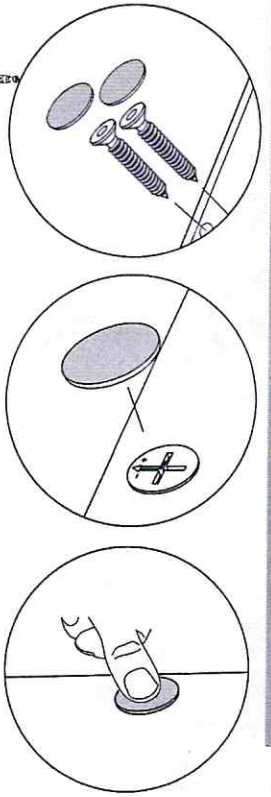


Fx8



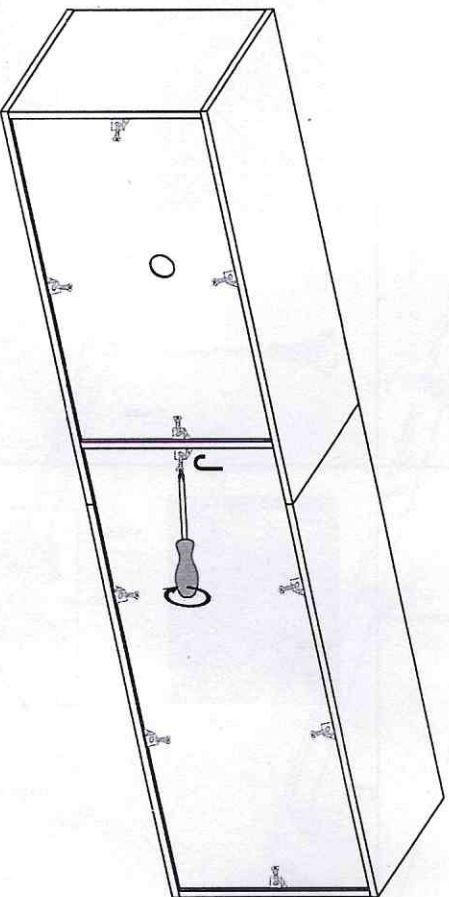
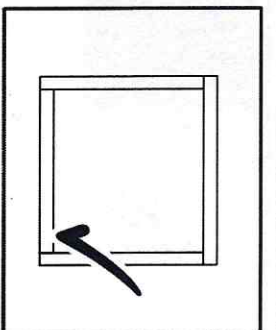
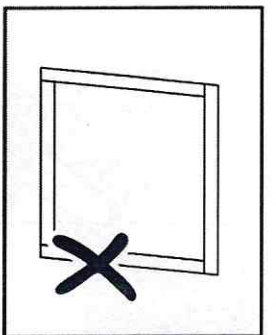
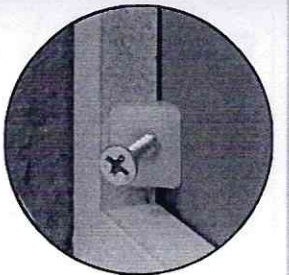
9

When installing accessories A and B, please refer to the installation method of the same accessories in step 3



Ax8 Bx8

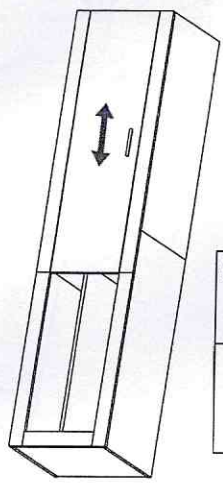
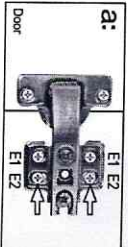
10



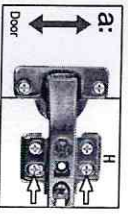
Jx10

11

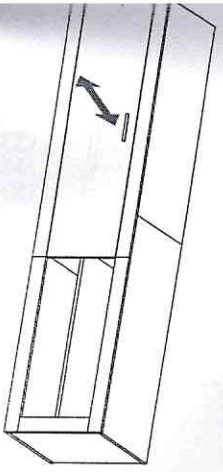
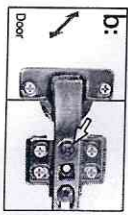
**Hinge adjustment**  
 To facilitate the adjustment, install the E2 screw first, and then install the E1 screw.



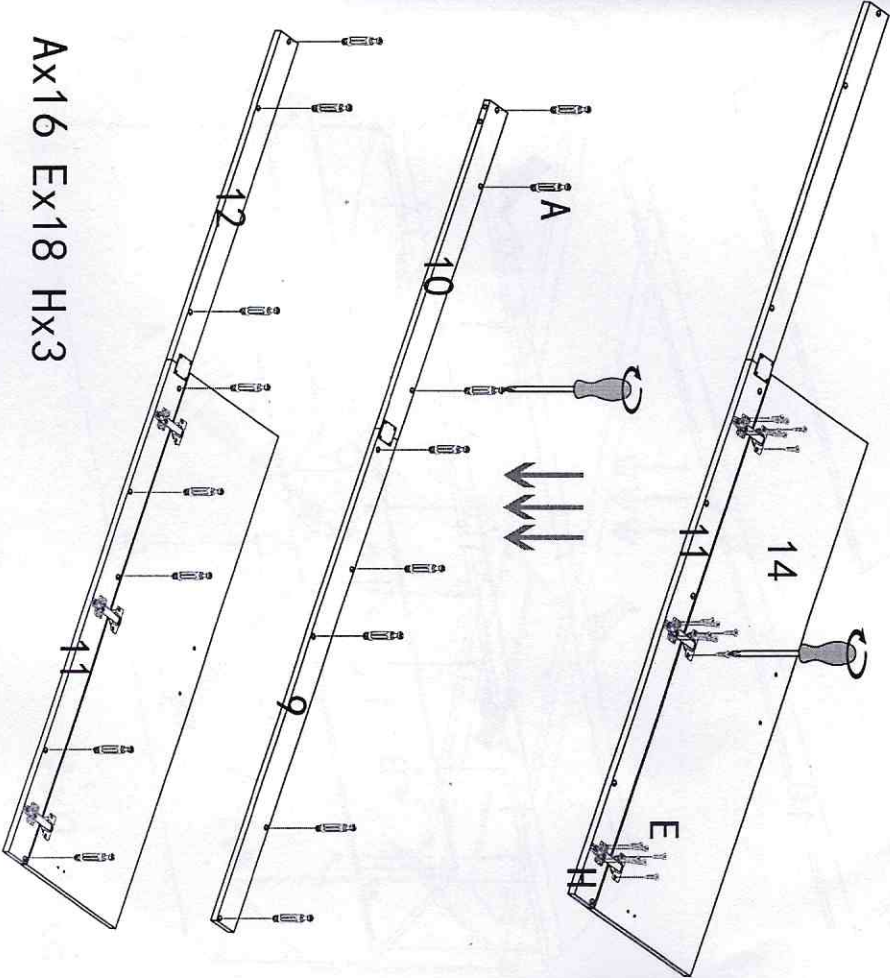
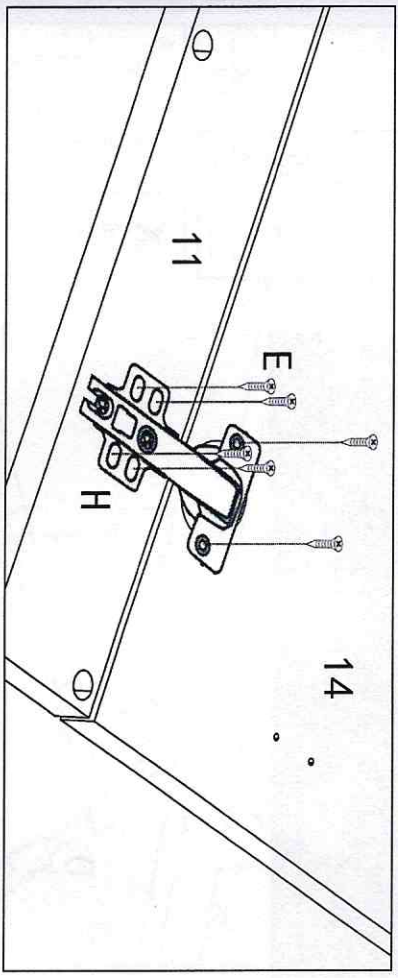
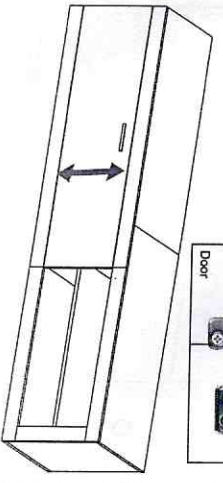
**Hinge adjustment**  
 a. To move doors up or down: loosen screws shown and move doors to suit.  
 Once doors are aligned, re-tighten Screws H.



**Hinge adjustment**  
 b. To move doors in or out: loosen screw shown and move doors to suit.  
 Re-tighten screws.



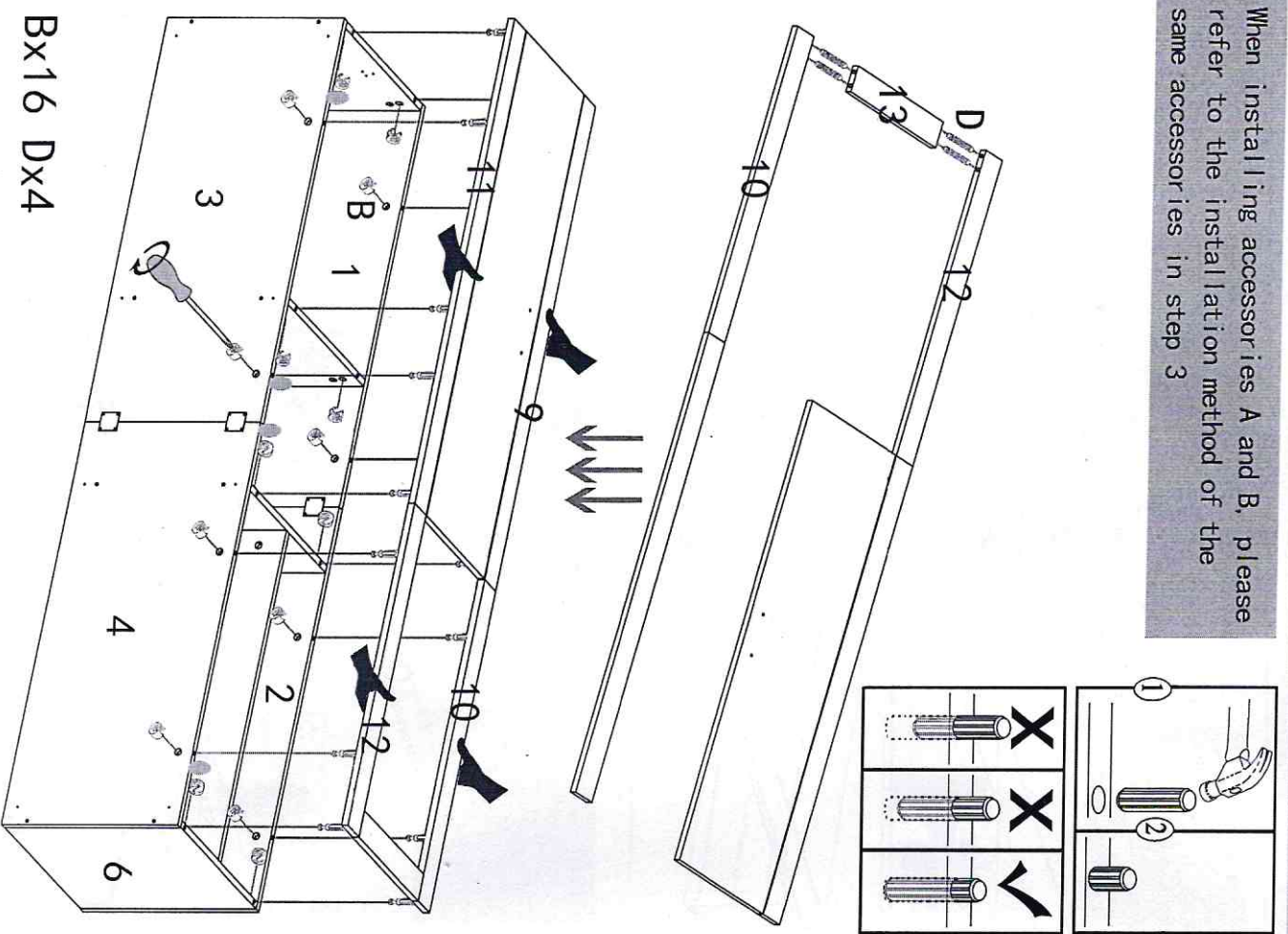
**Hinge adjustment**  
 c. To move doors left or right: loosen screw shown and move doors to suit.  
 Re-tighten screws.



Ax16 Ex18 Hx3

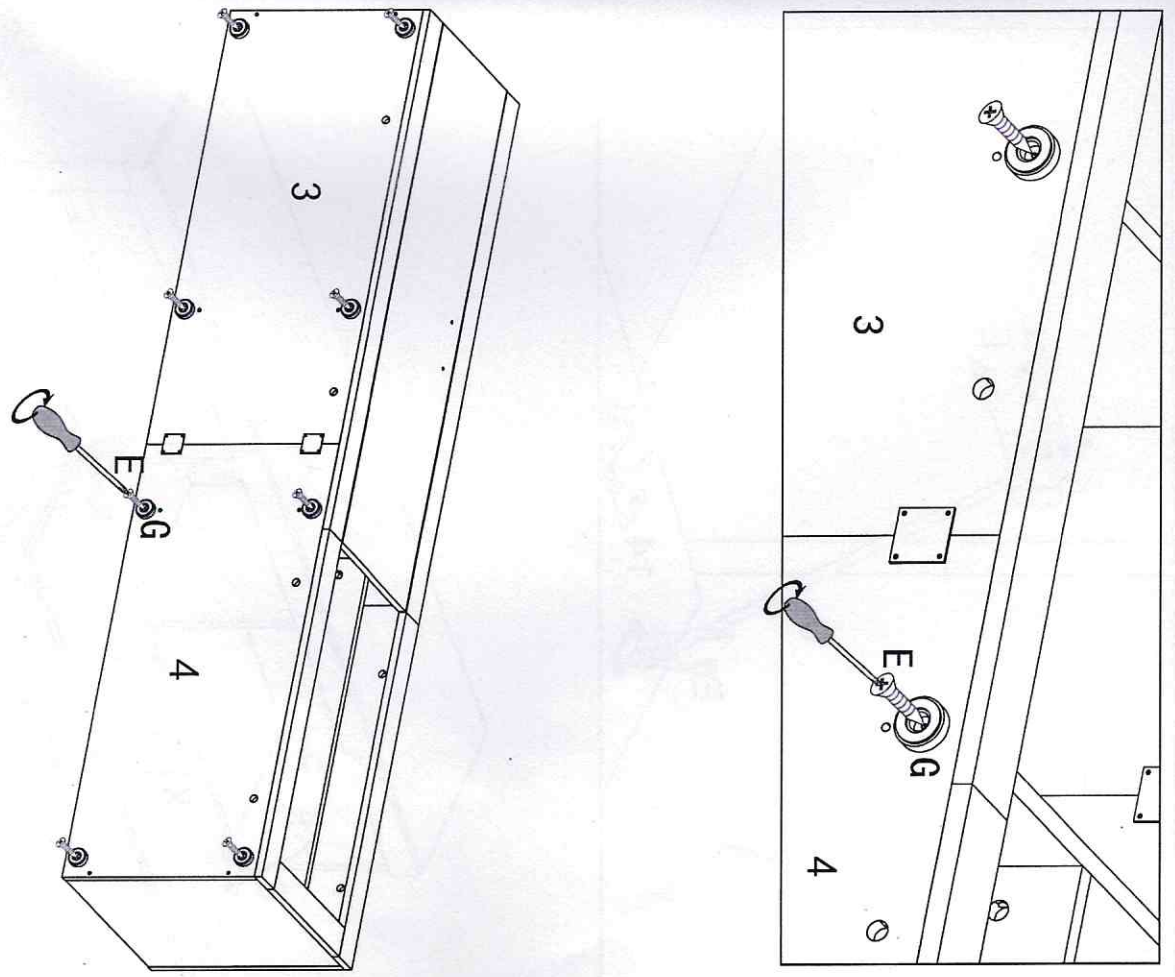
# Step10

When installing accessories A and B, please refer to the installation method of the same accessories in step 3



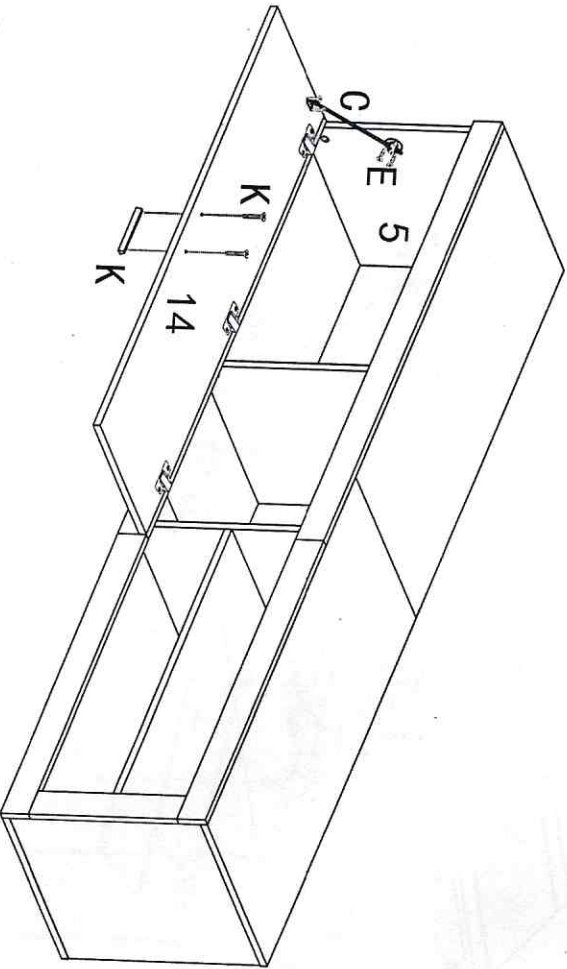
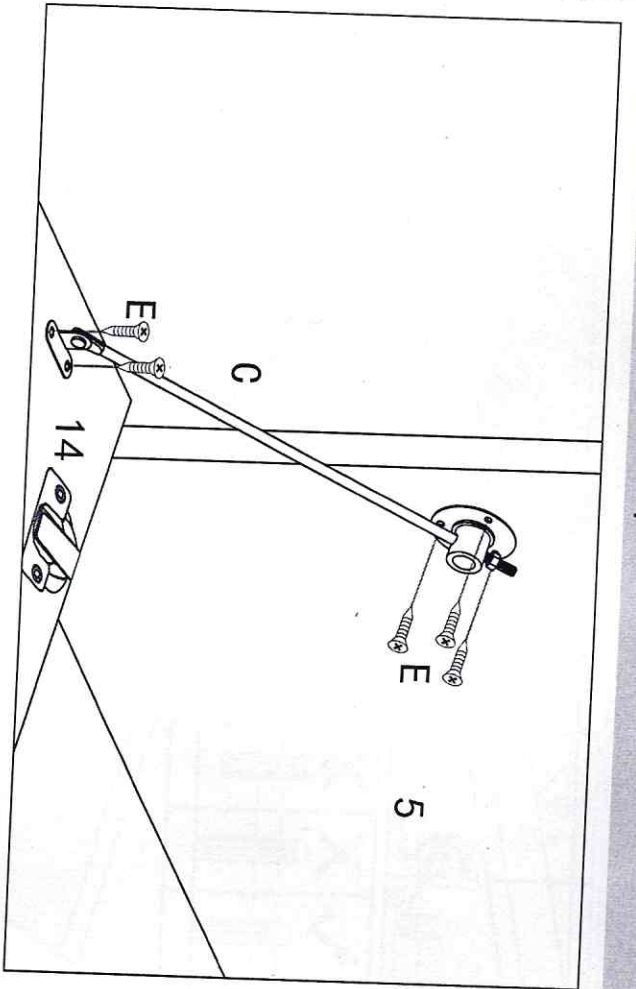
Bx16 Dx4

# Step11



Ex8 Gx8





Gx1 Ex5 Kx1