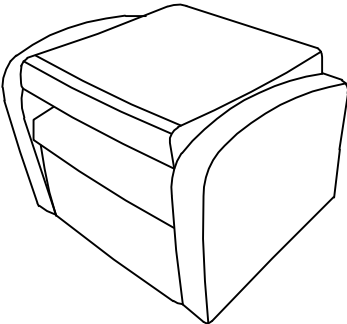
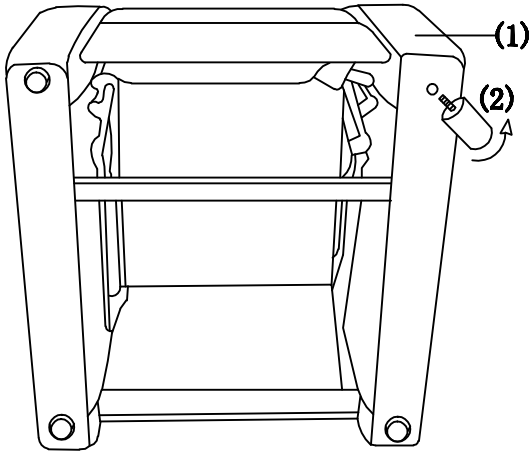


ASSEMBLY INSTRUCTION

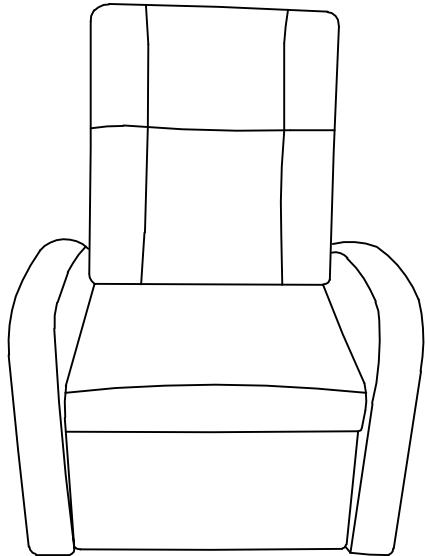
(1)X1



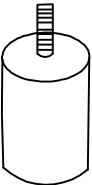
①



②



(2)X4



③

