







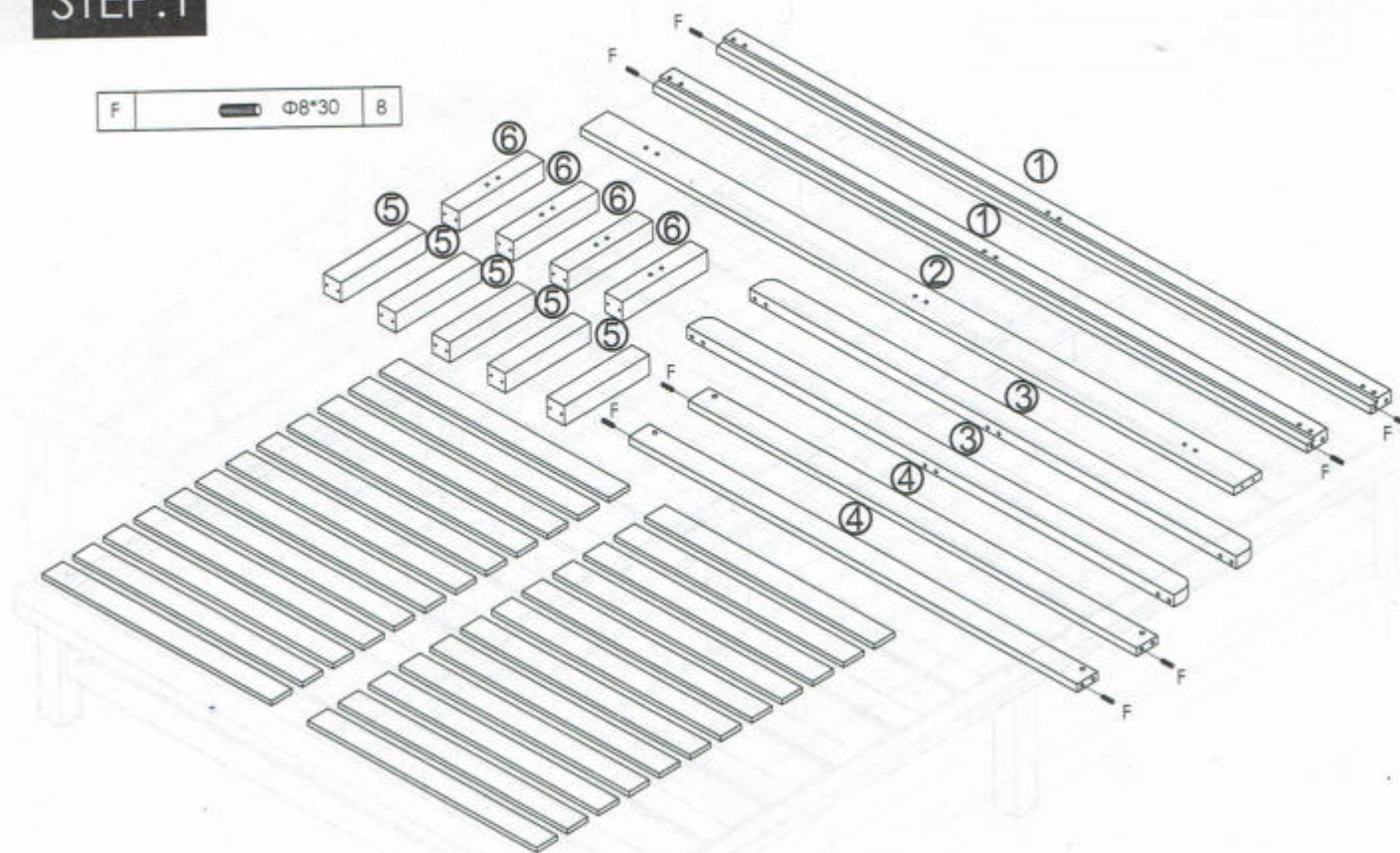





A		M6*90	8
B			8
C		Φ6*70	12
D		Φ6*90	4
E		Φ7*60	6
F		Φ8*30	8
G		4*30	52
H			1

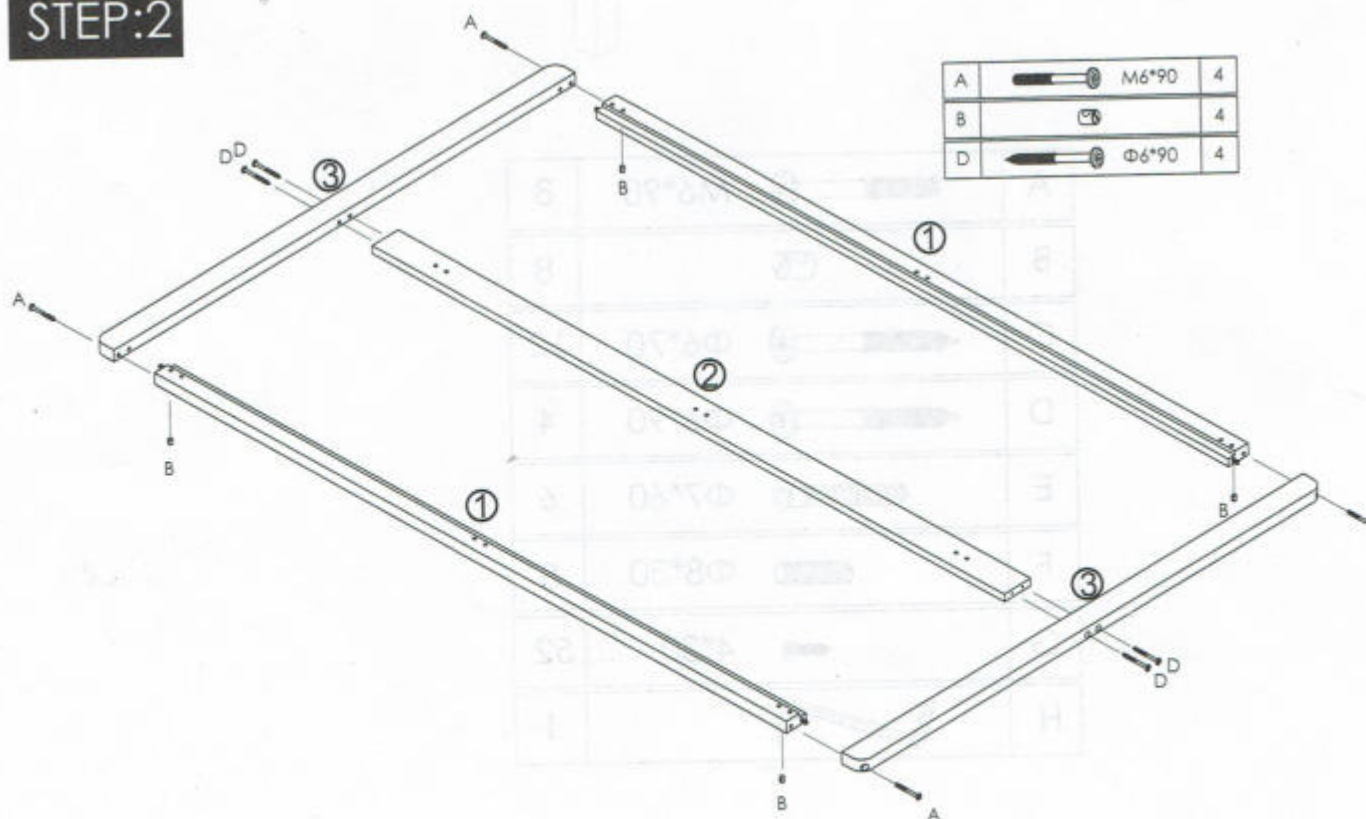
STEP:1

F		Φ8*30	8
---	---	-------	---





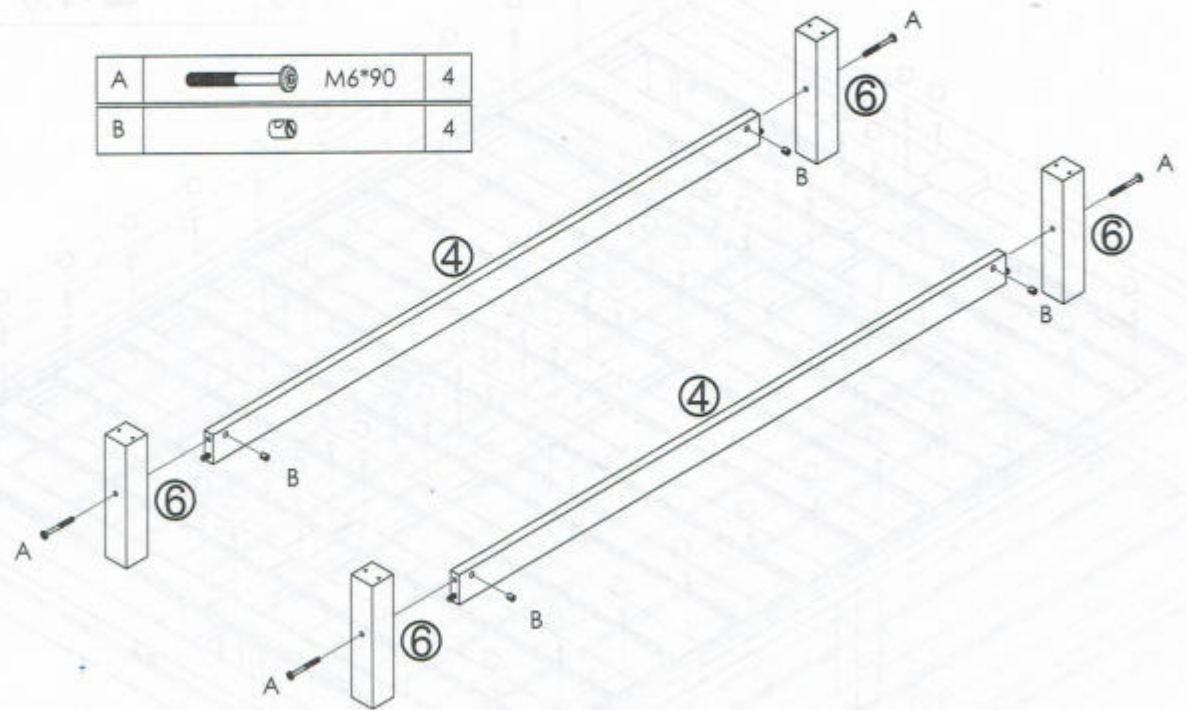
STEP:2

A		M6*90	4
B			4
D		Φ6*90	4



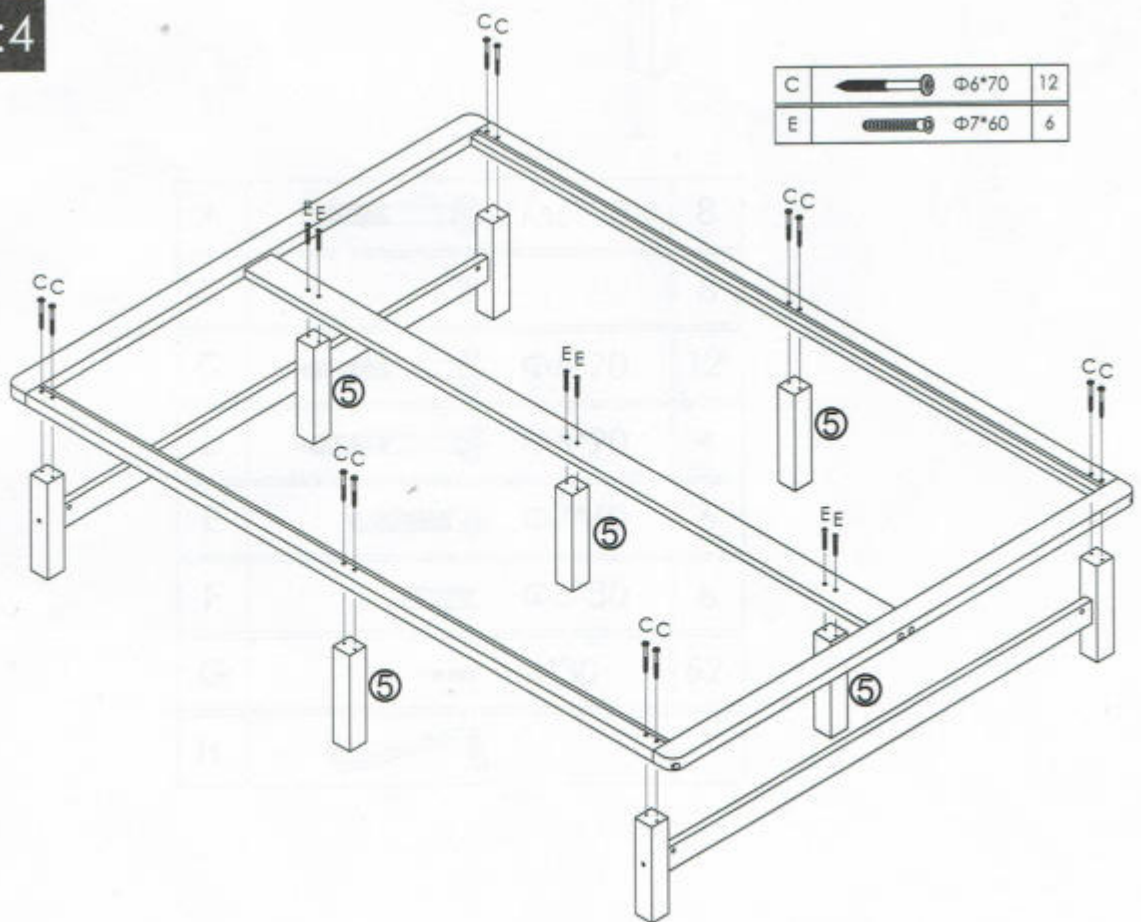
STEP:3

A		M6*90	4
B			4



STEP:4

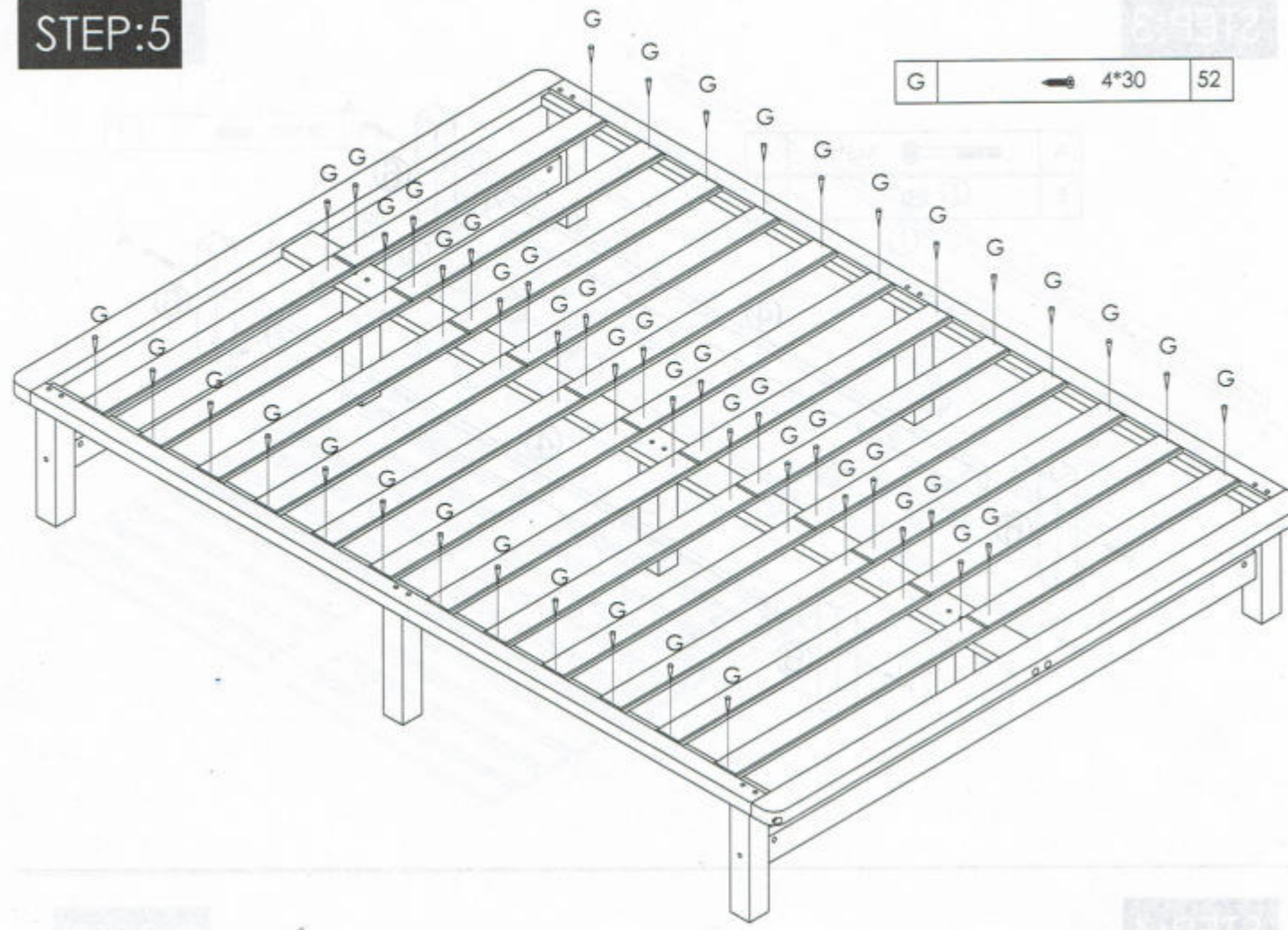
C		Φ6*70	12
E		Φ7*60	6



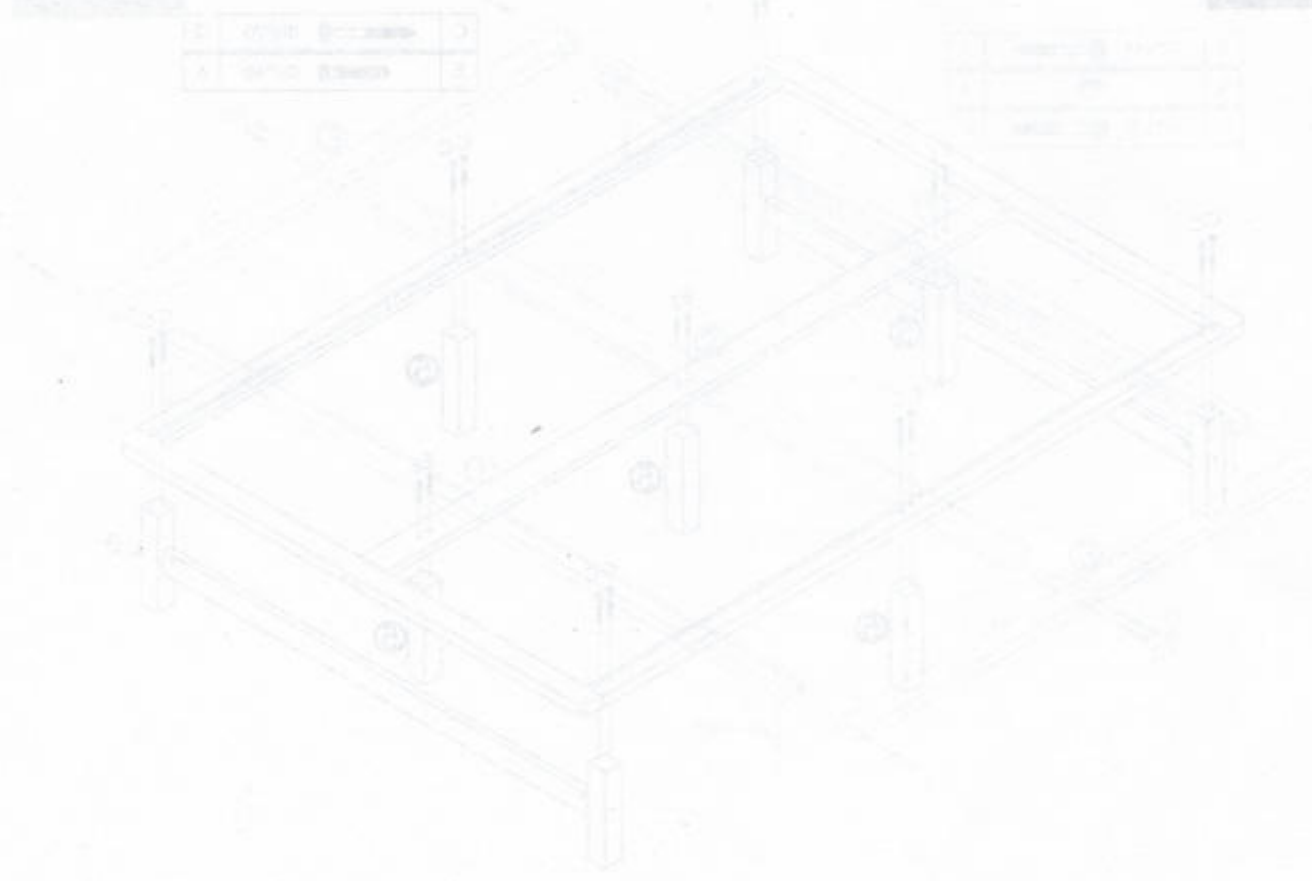
STEP:5

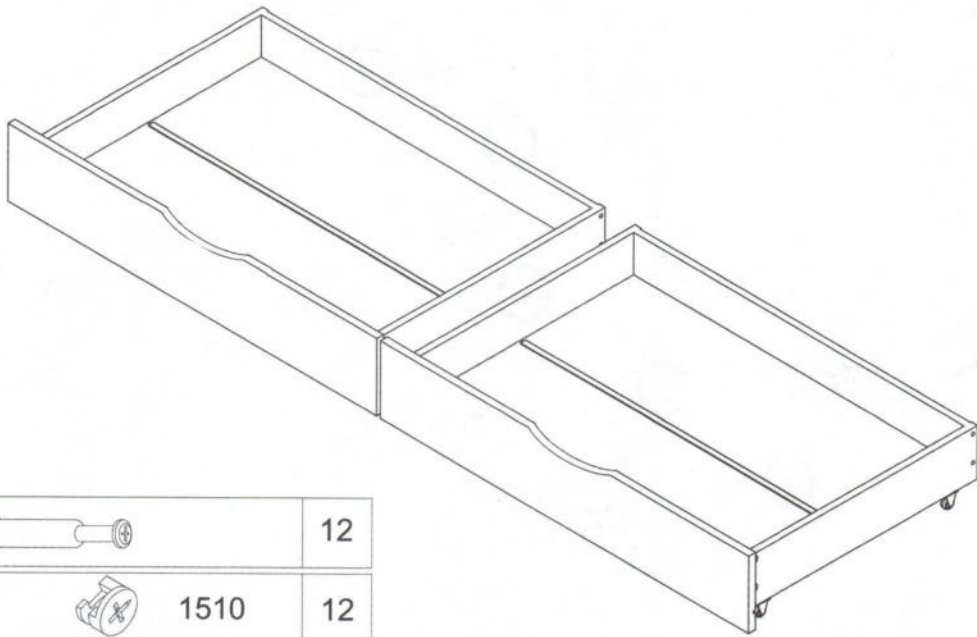
879312









G		4*30	52
---	---	------	----



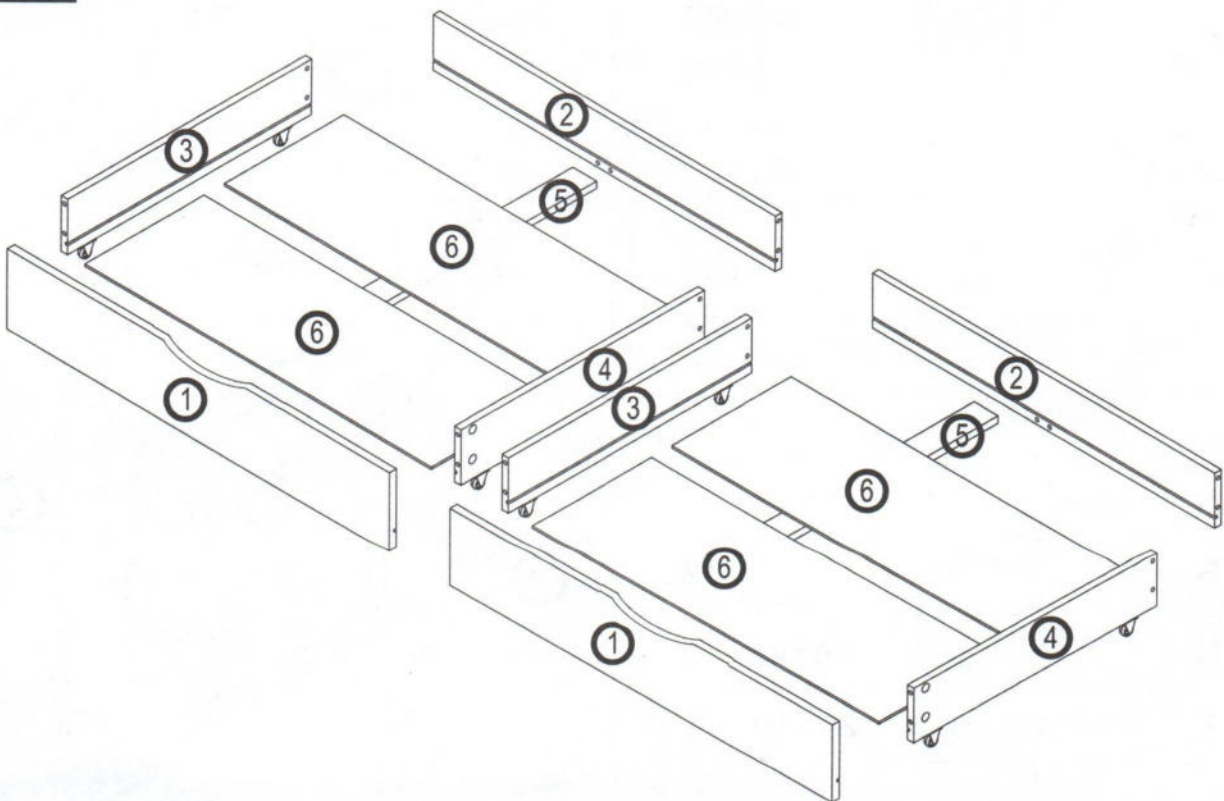
879312



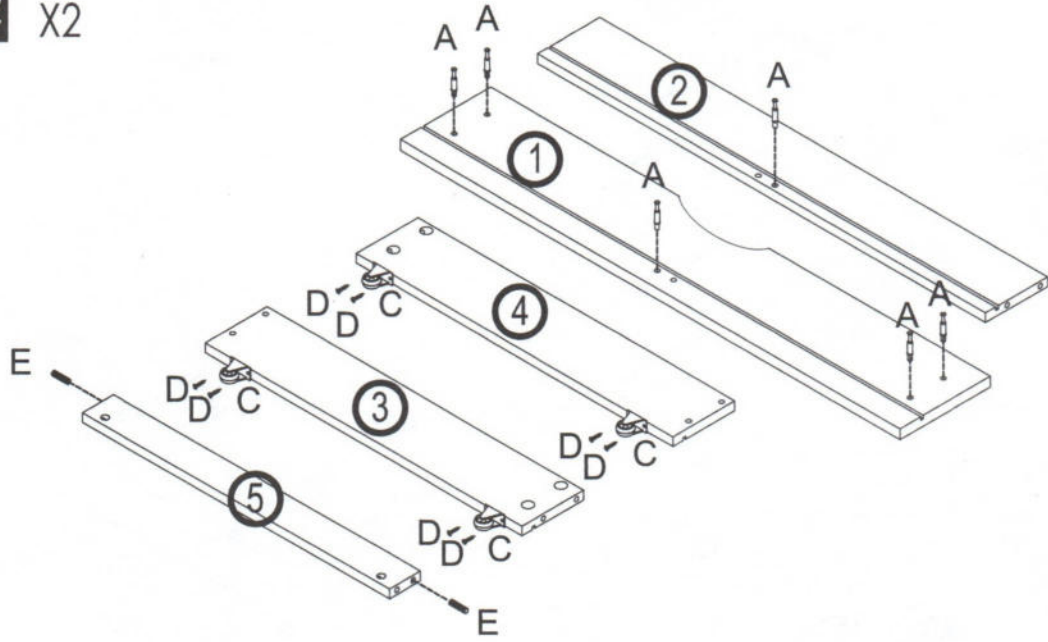


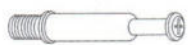



A			12
B		1510	12
C		35 mm	8
D		3 x 16	16
E		Ø8 x 30	4
F		Ø7 x 50	8
N		700mm	2
J		4 mm	1

STEP:1

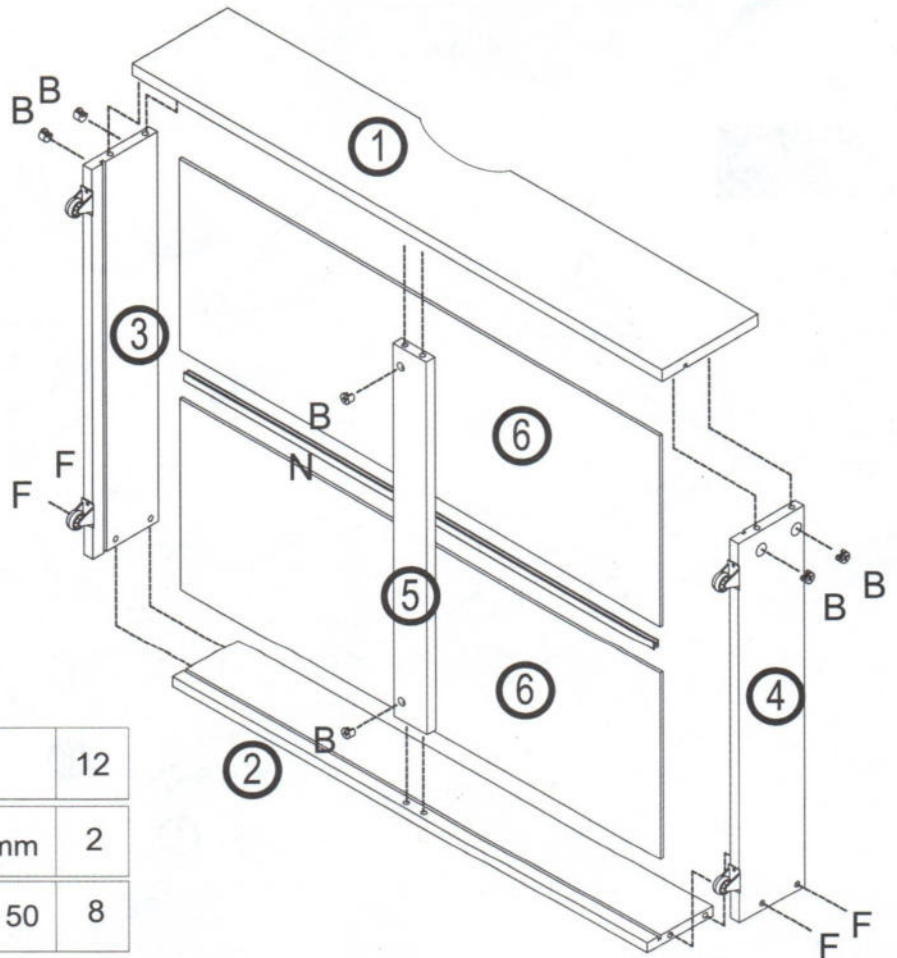



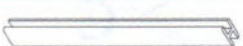

STEP:2 X2



A			12
C		35 mm	8
D		3 x 16	16
E		Ø8 x 30	4

STEP:3 X2



B			12
N		700 mm	2
F		Ø7 x 50	8