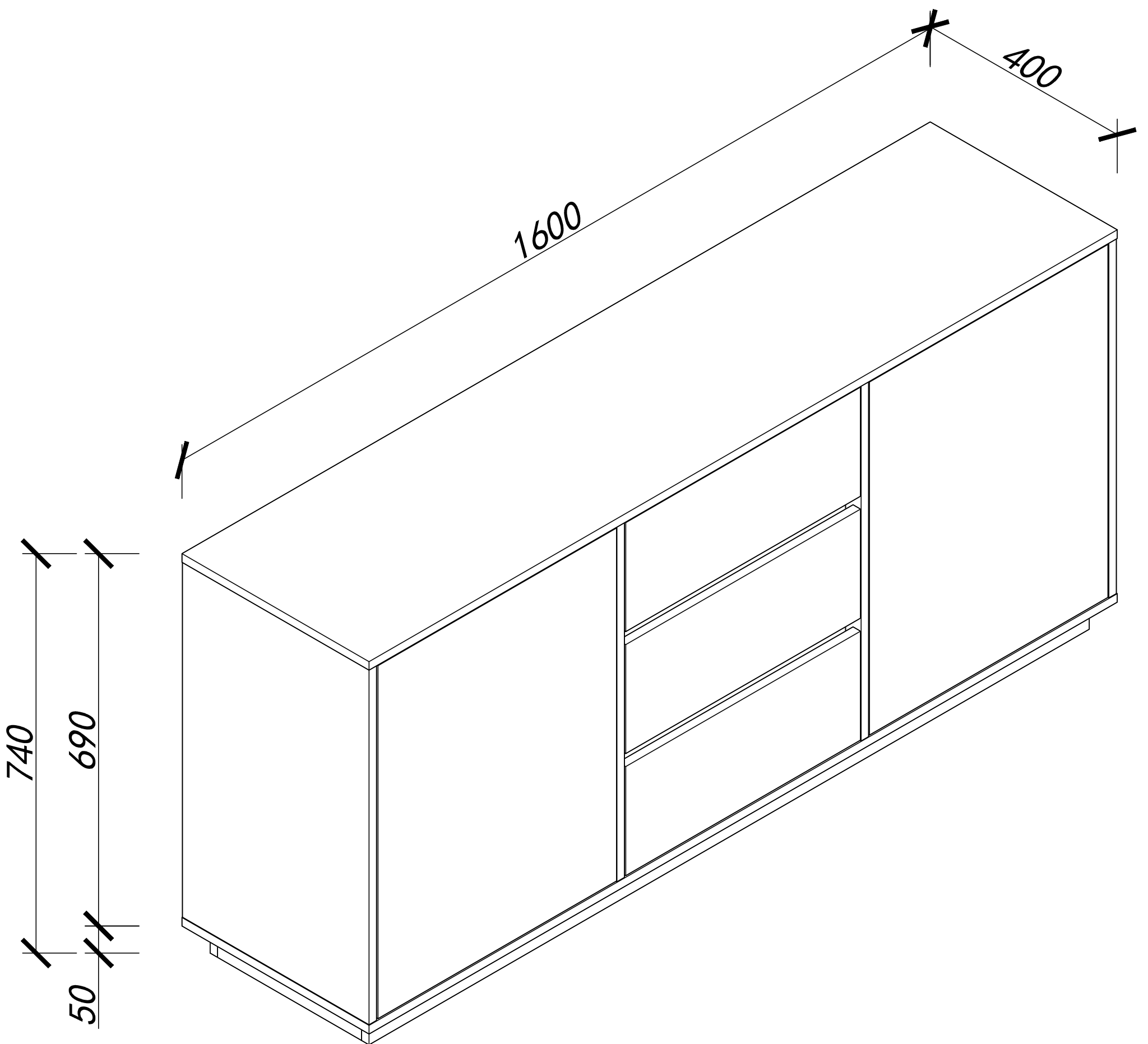
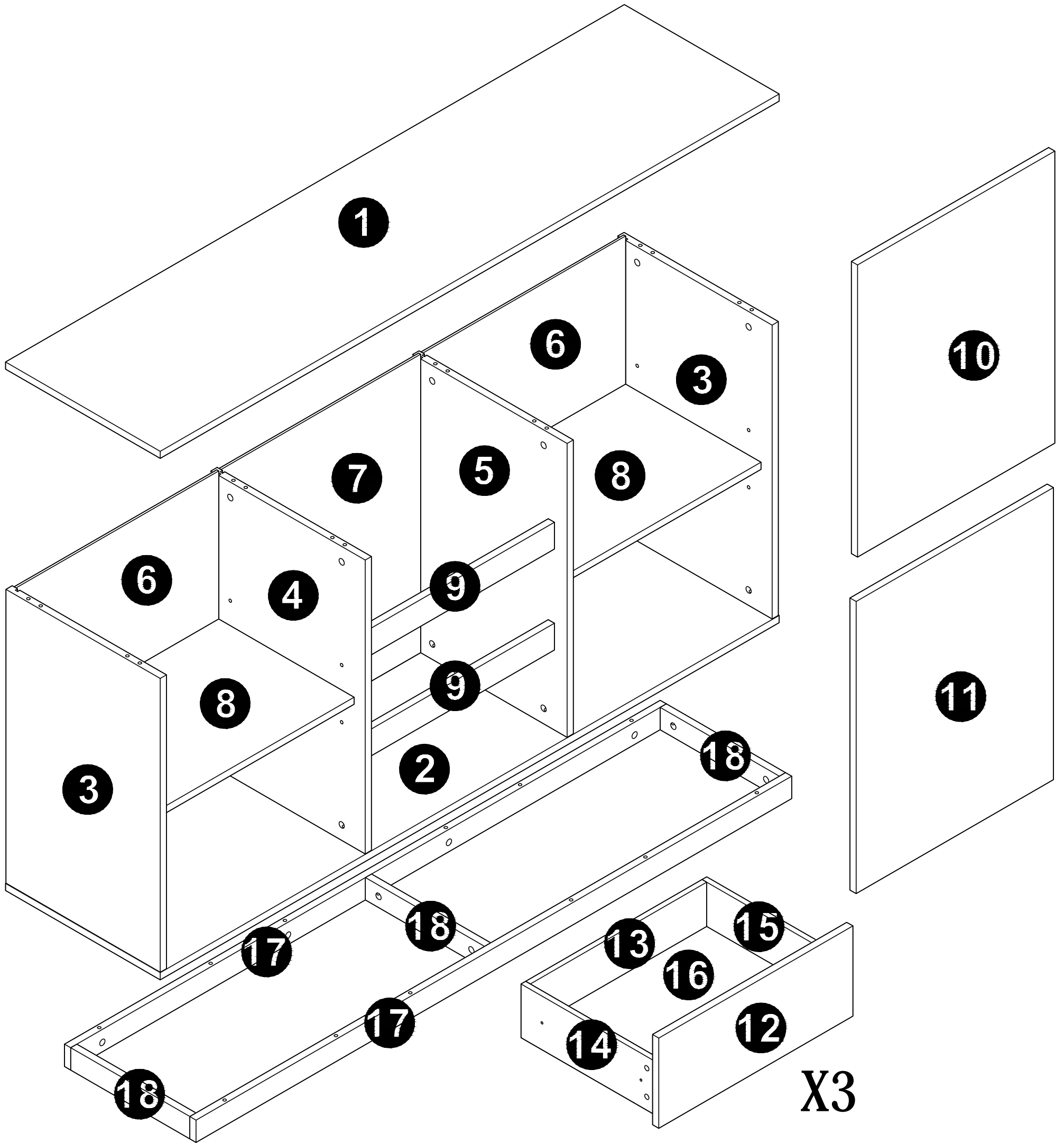


Assembly Instructions

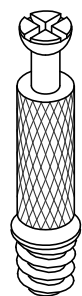


Panel No	Panel Sizes	Quantity
1	1600*400*16	1
2	1600*400*16	1
3	658*399*16	2
4	658*399*16	1
5	658*399*16	1
6	668*524*5	2
7	668*516*5	1
8	511*350*16	2
9	506*60*16	2

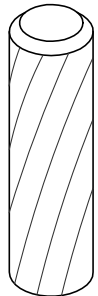
Panel No	Panel Sizes	Quantity
10	654*510*16	1
11	654*510*16	1
12	502*202*16	3
13	456*120*12	3
14	350*120*12	3
15	350*120*12	3
16	466*348*5	3
17	1540*50*16	2
18	308*50*16	3



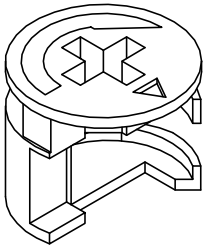
Fittings



A=37



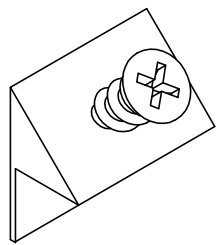
B=24



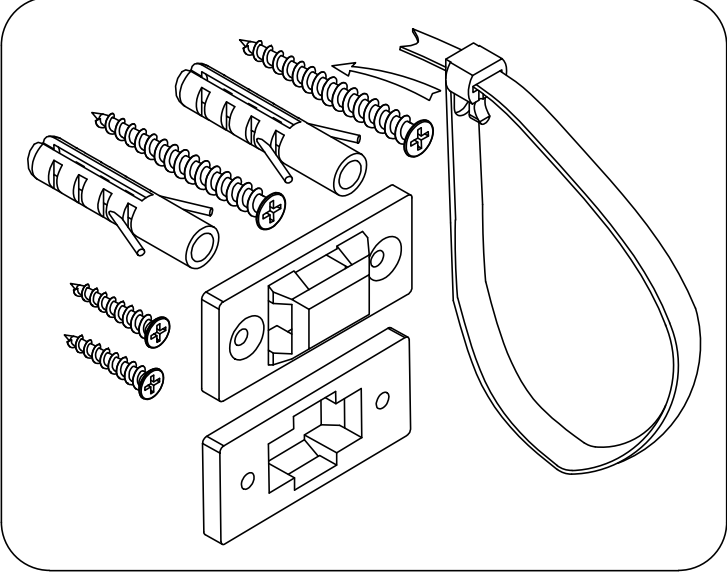
C=37



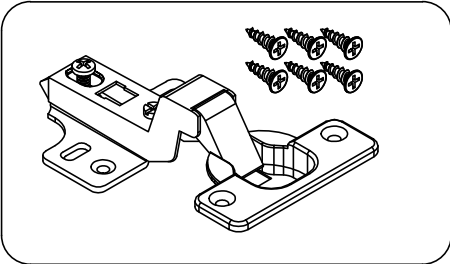
D=61



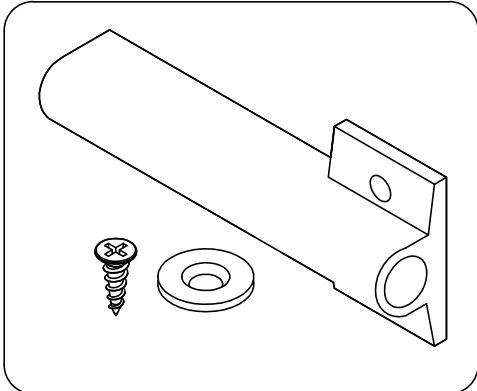
E=12



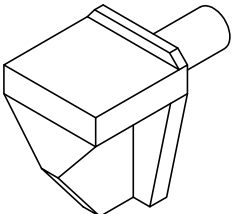
F=1



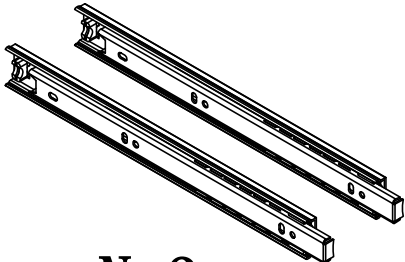
I3=4



K=2



L=8



N=3



O=24



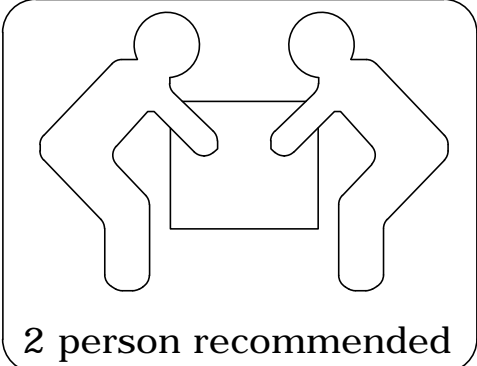
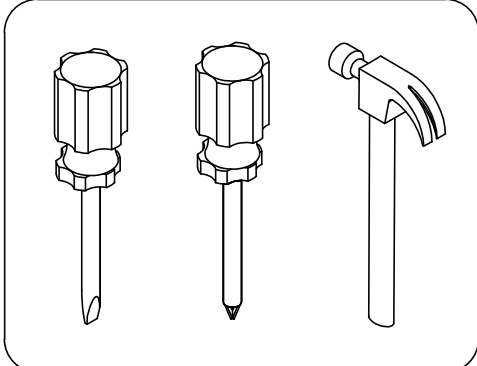
P=24



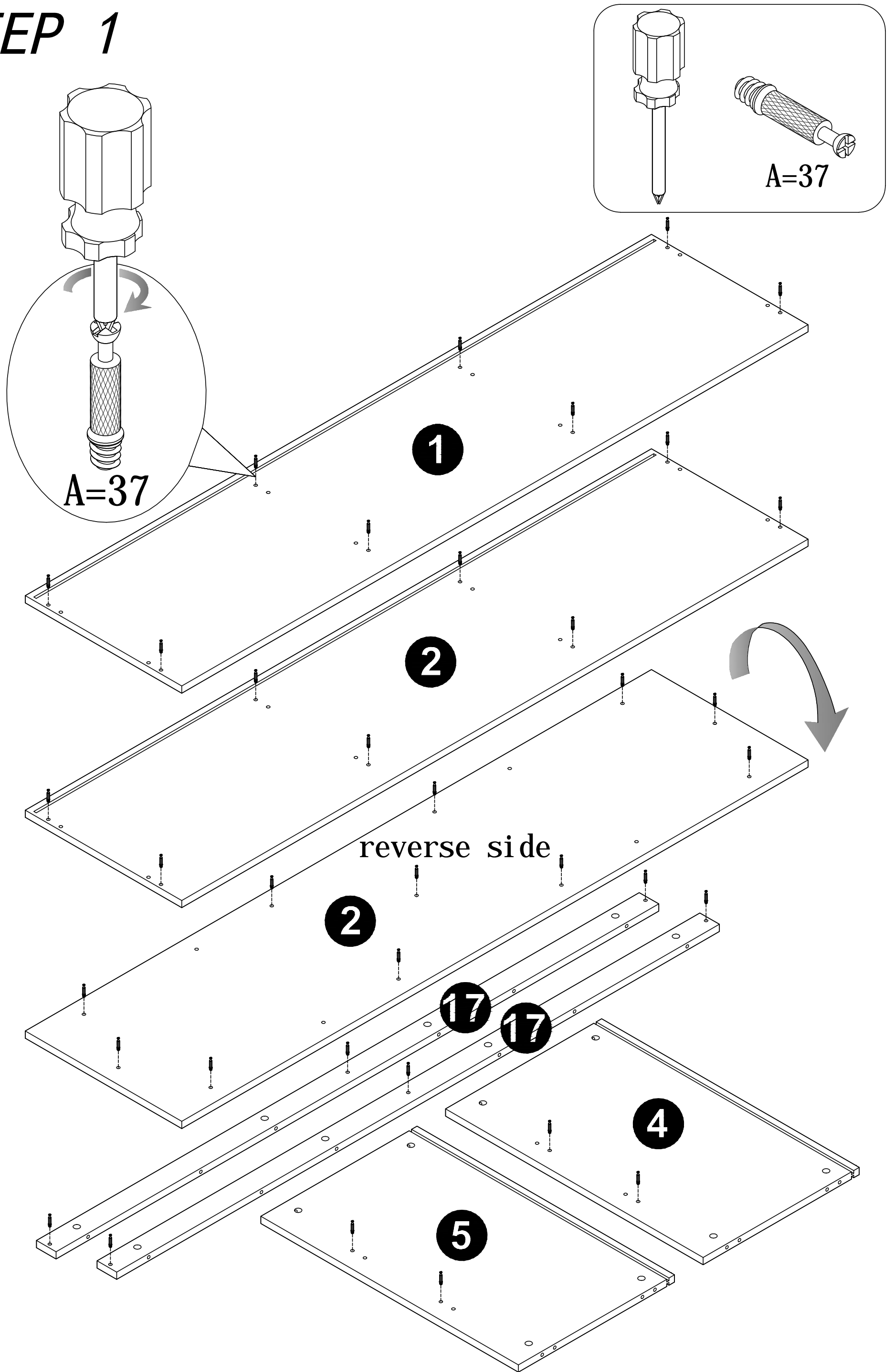
MB. 5*12

V1=28

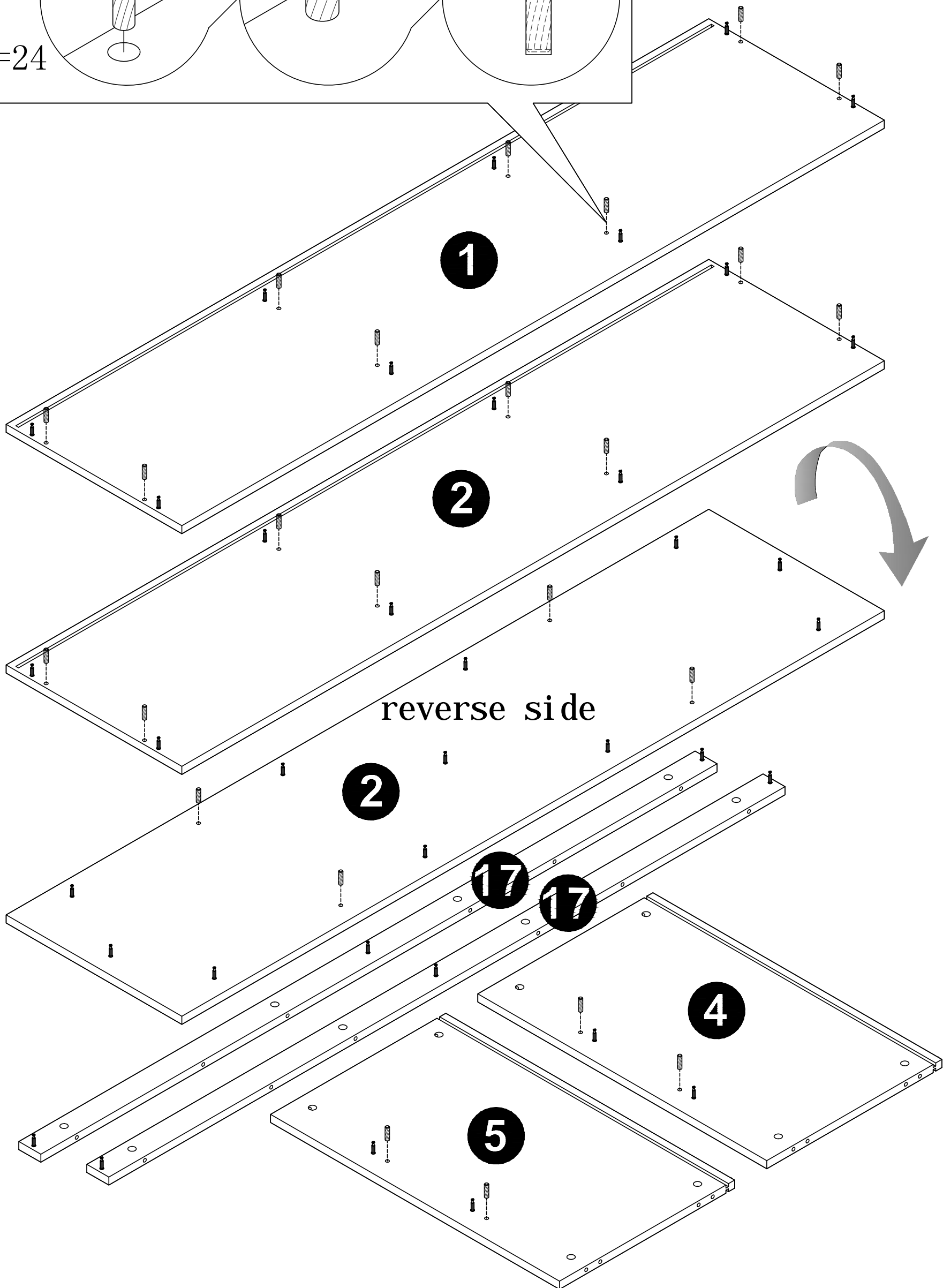
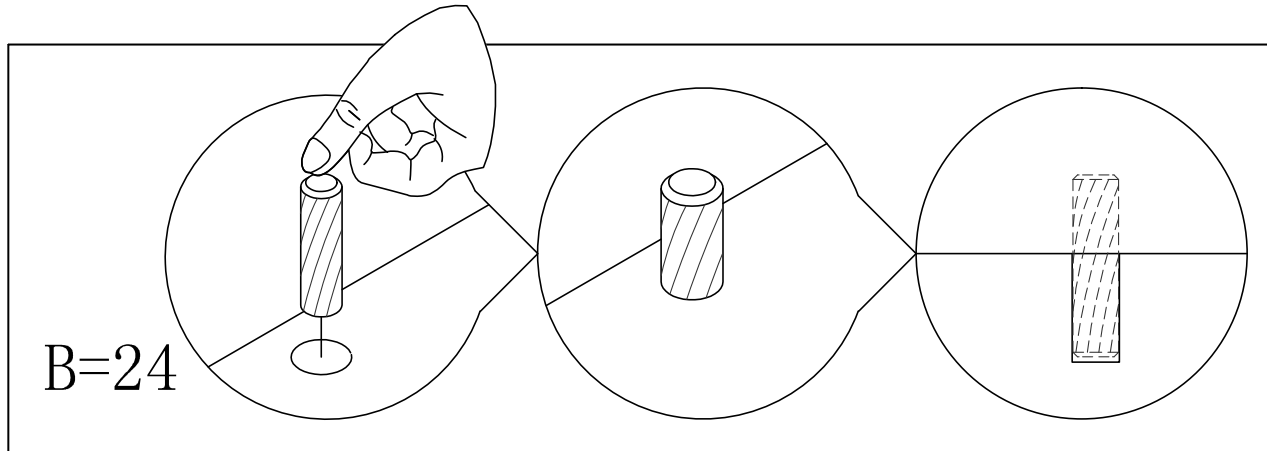
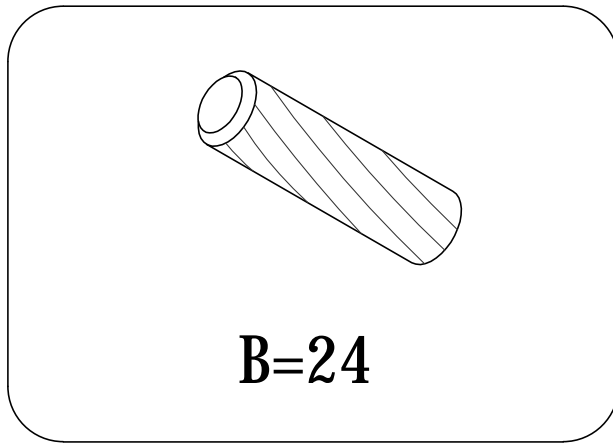
Tools Needed



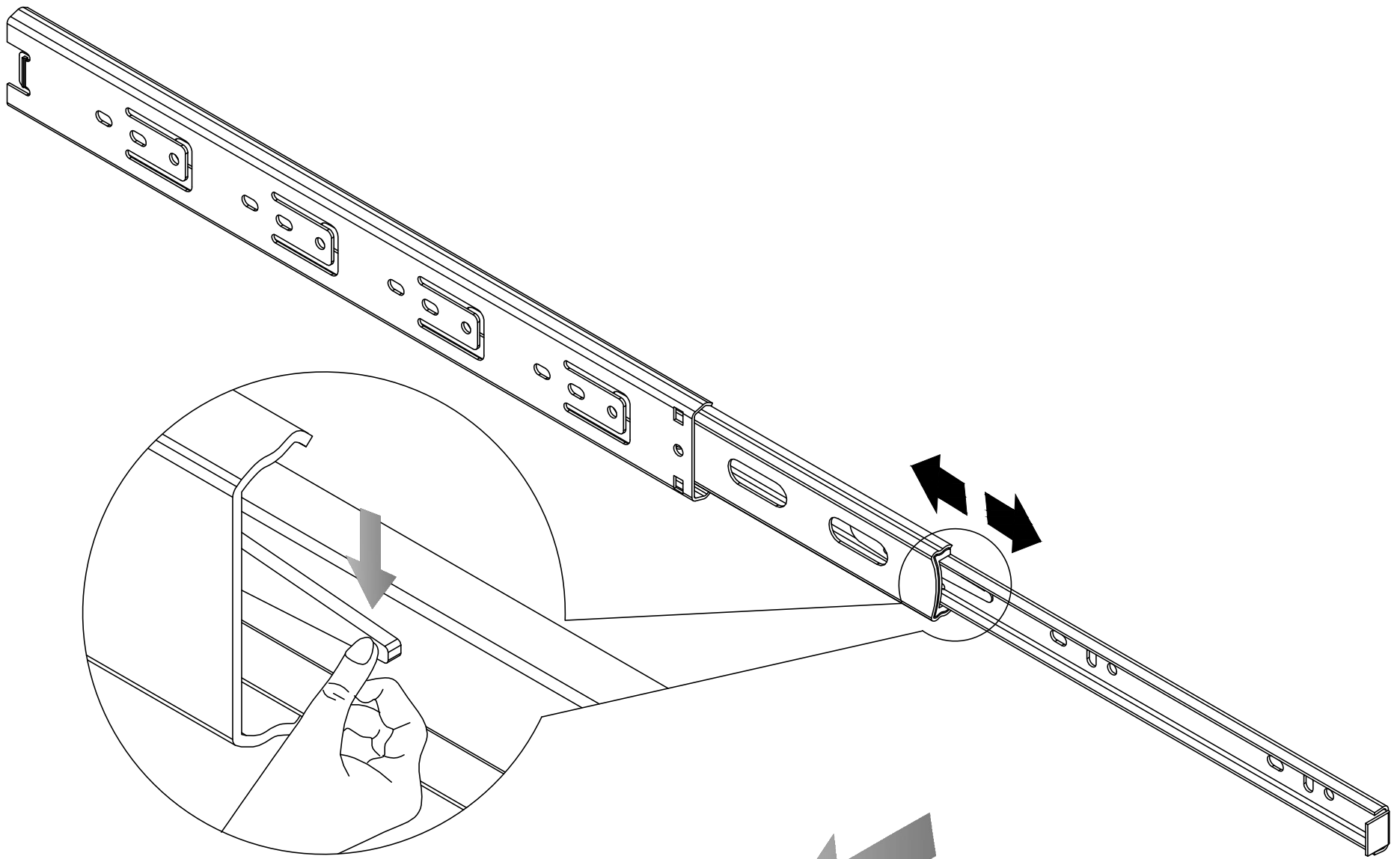
STEP 1



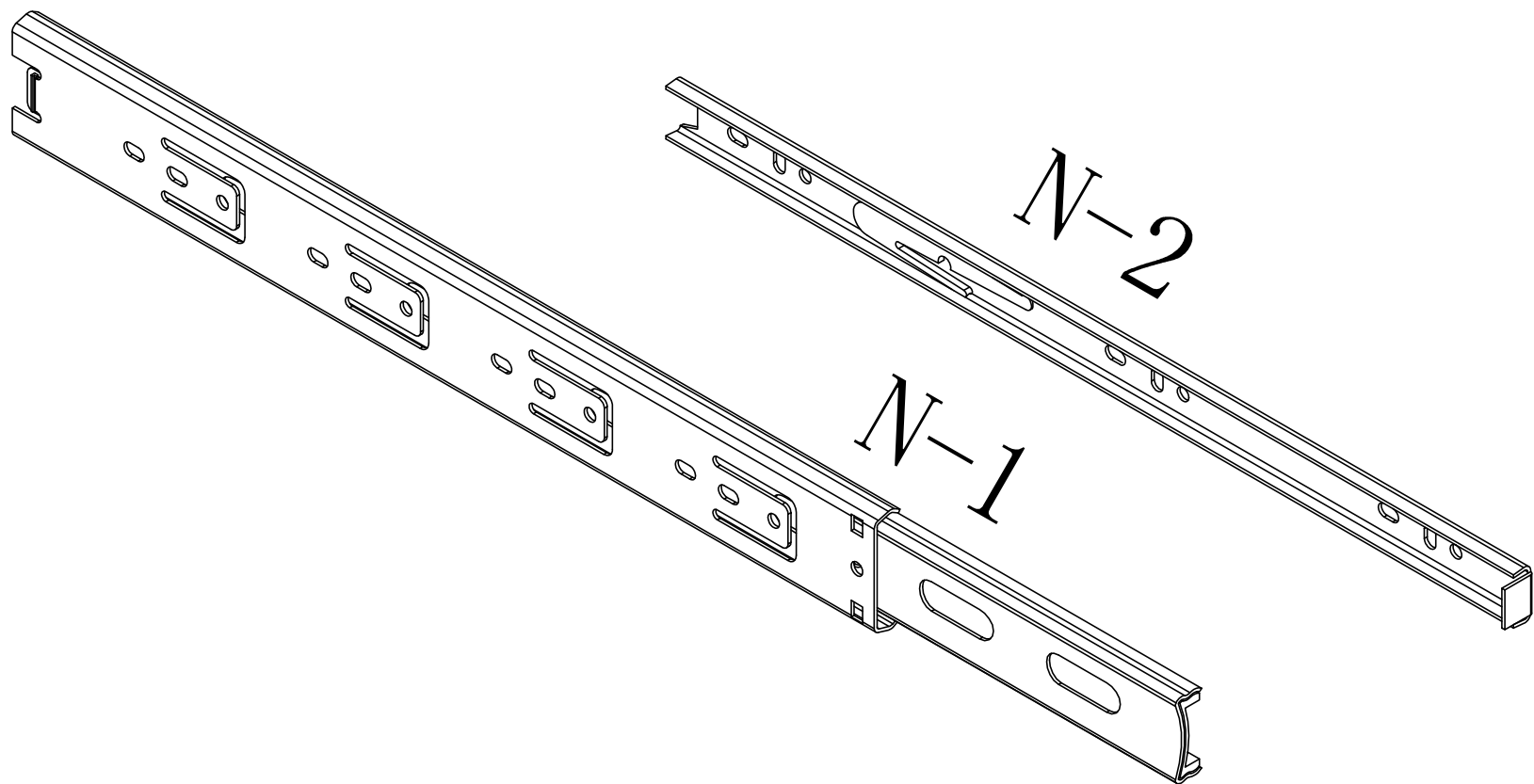
STEP 2



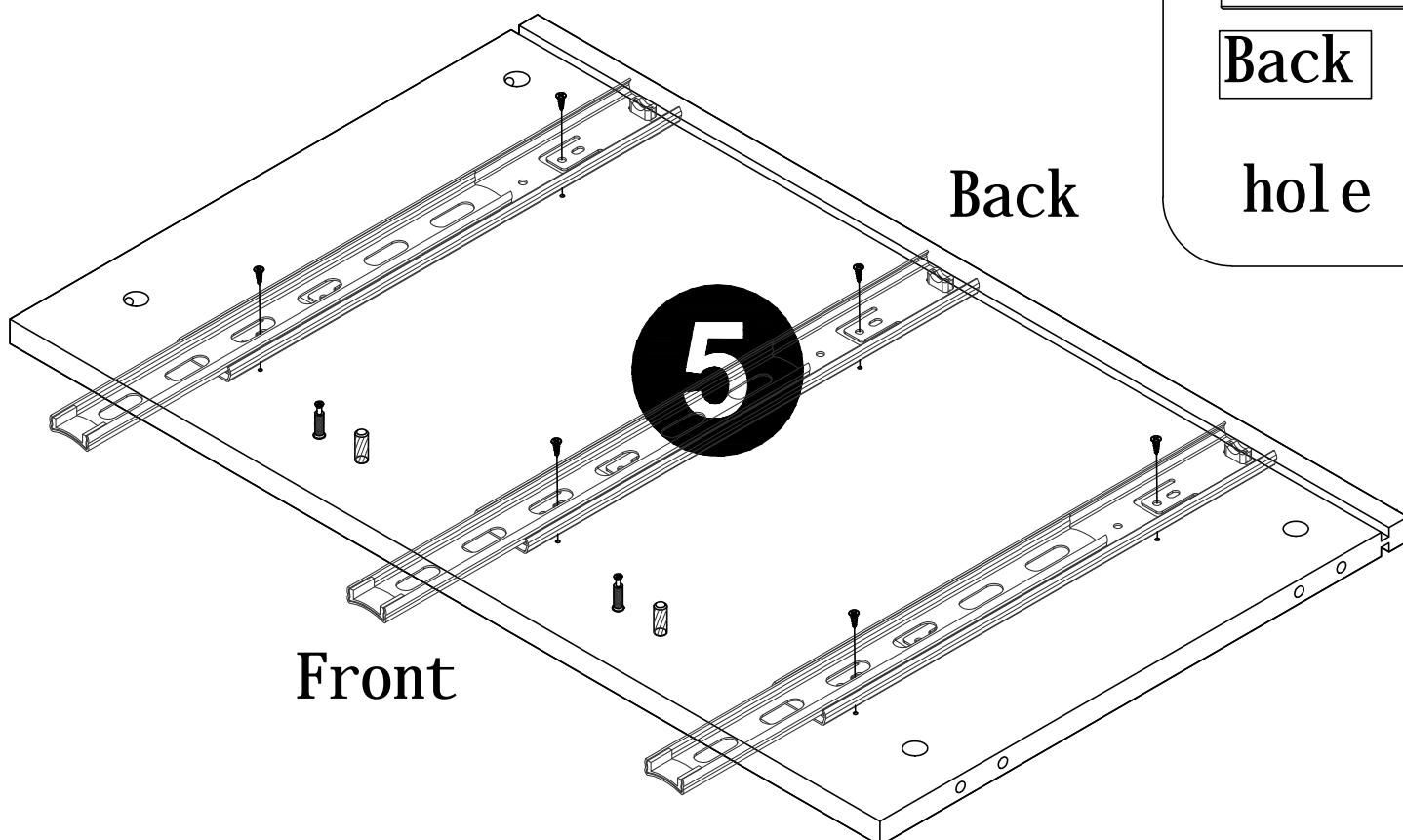
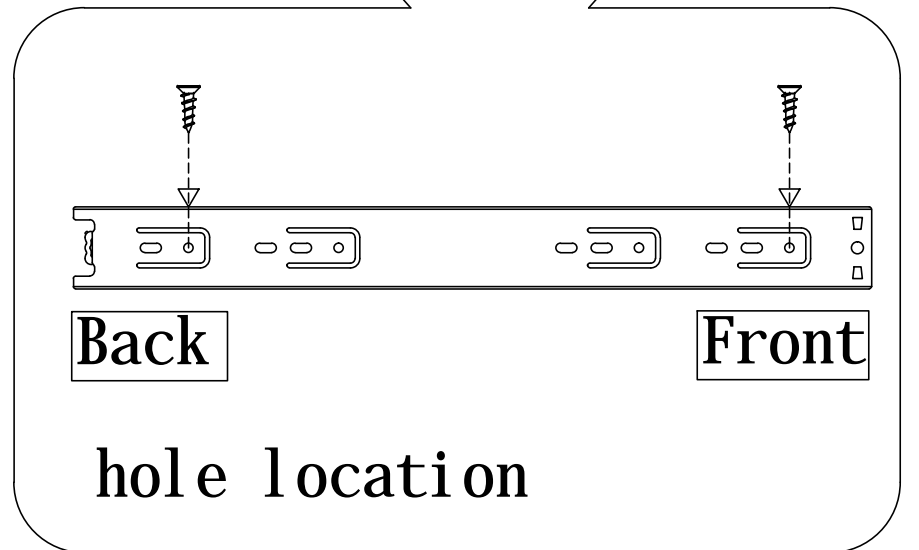
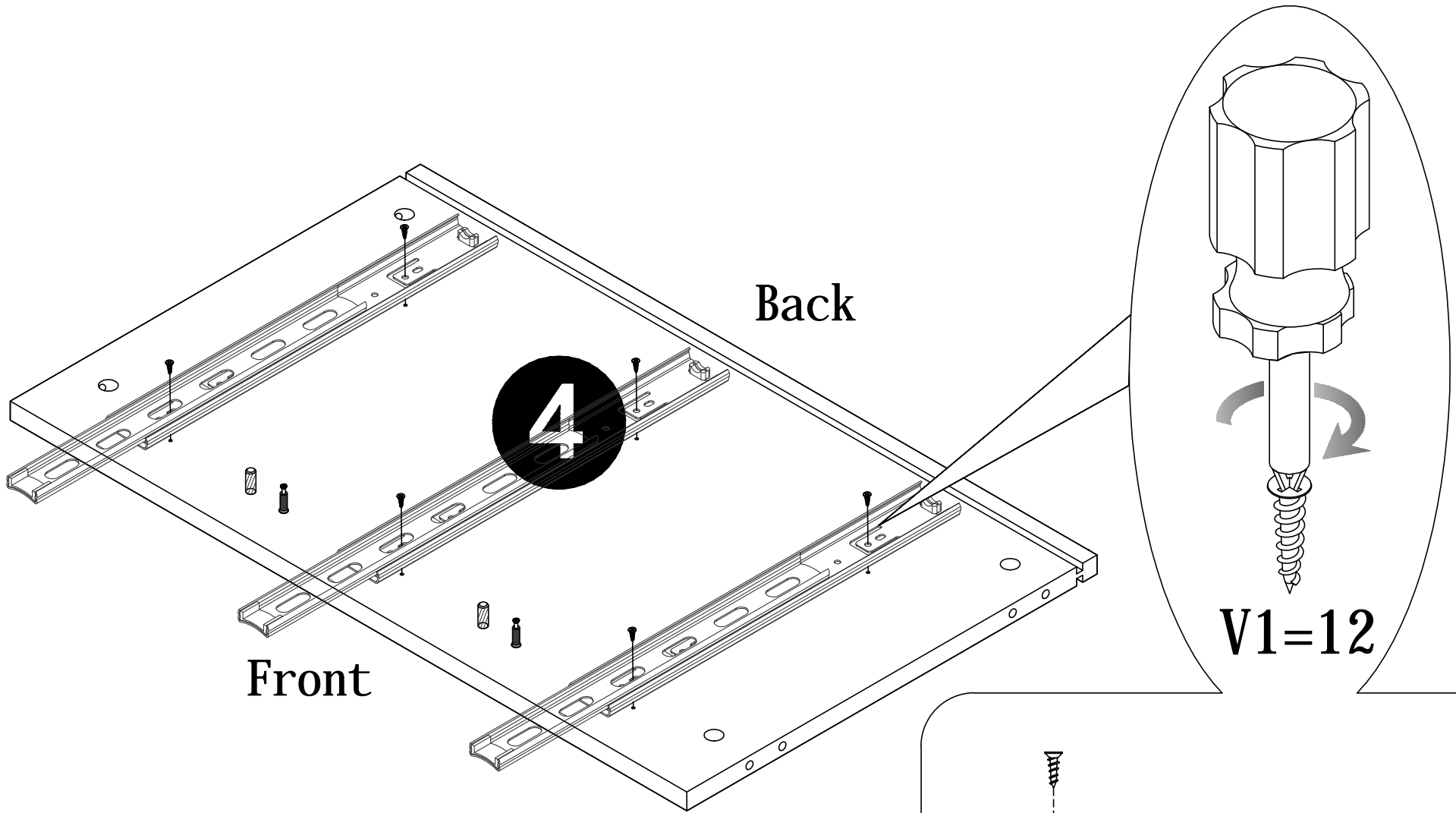
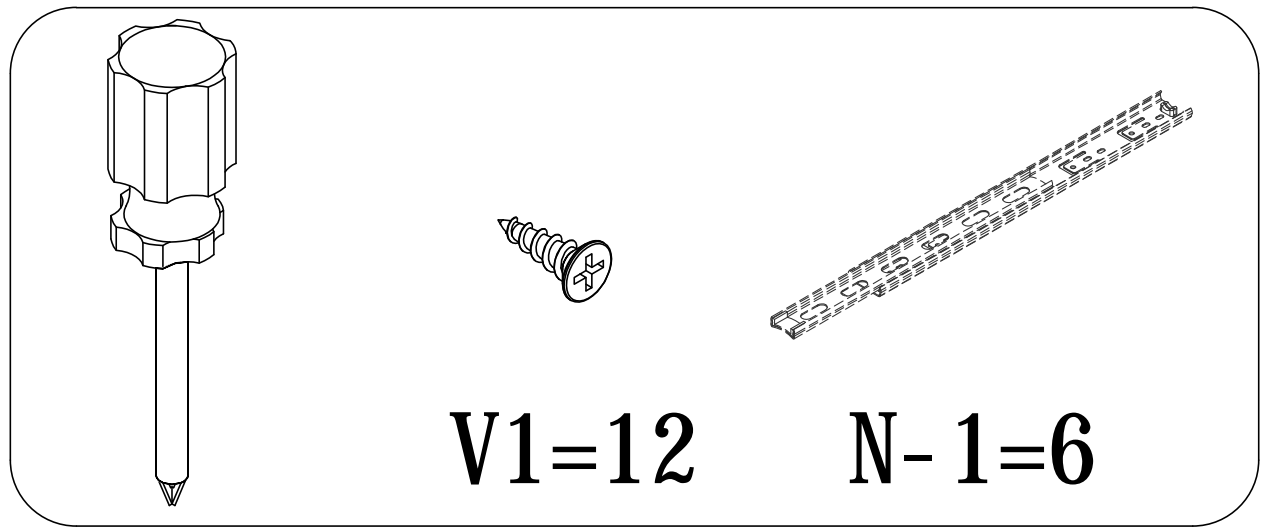
STEP 3 Separate the drawer runners



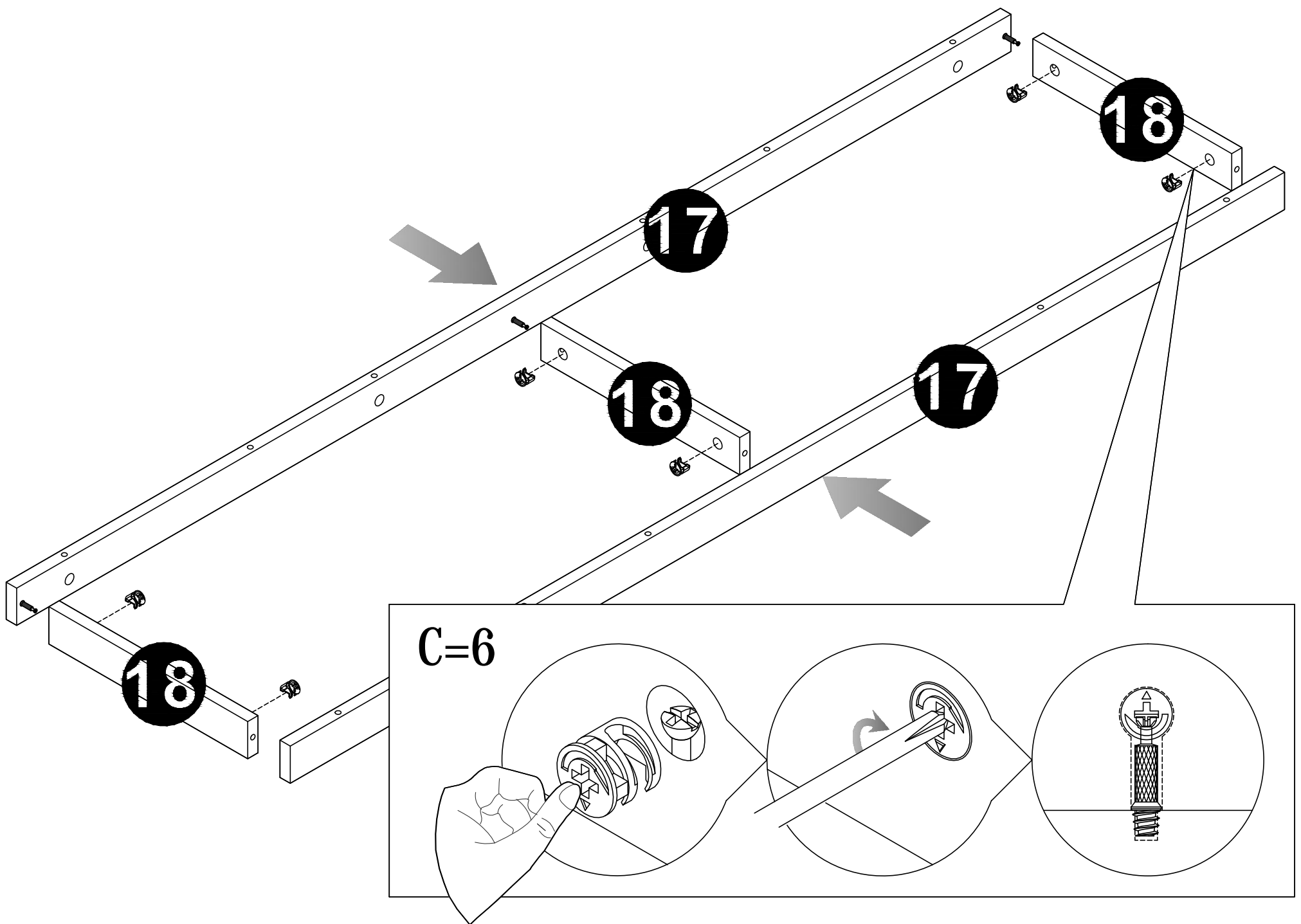
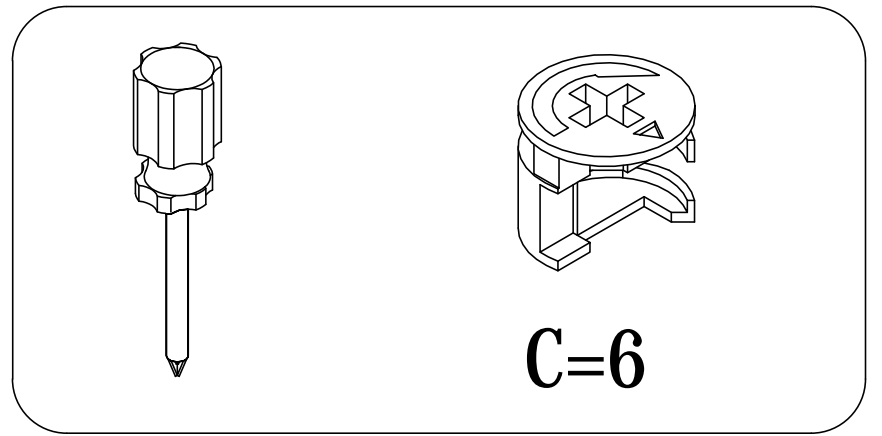
Push down the small lever and pull the two pieces apart



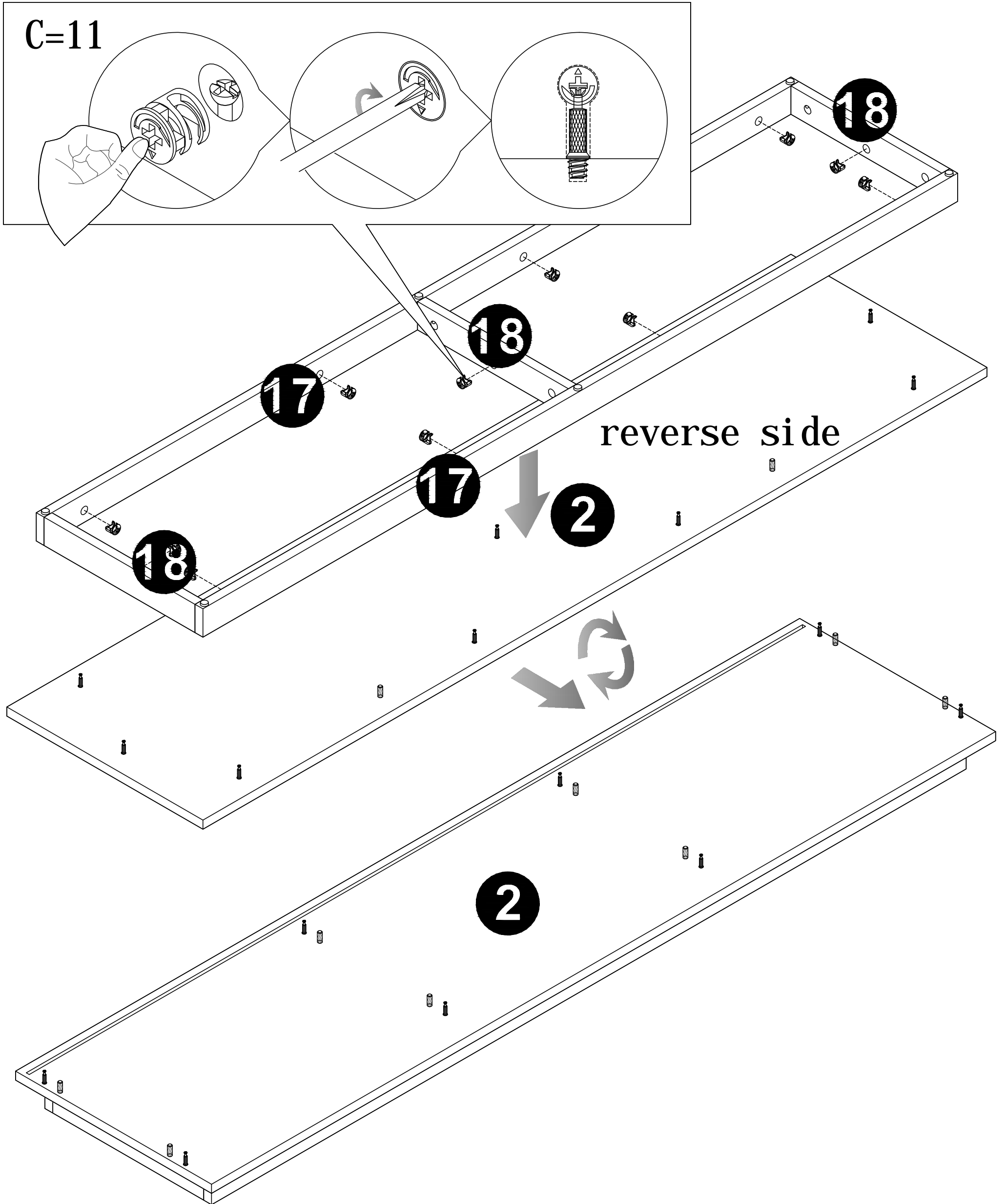
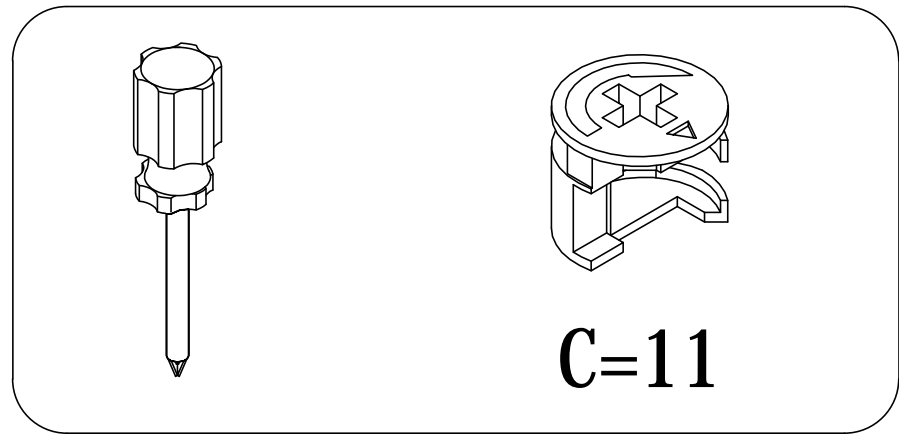
STEP 4



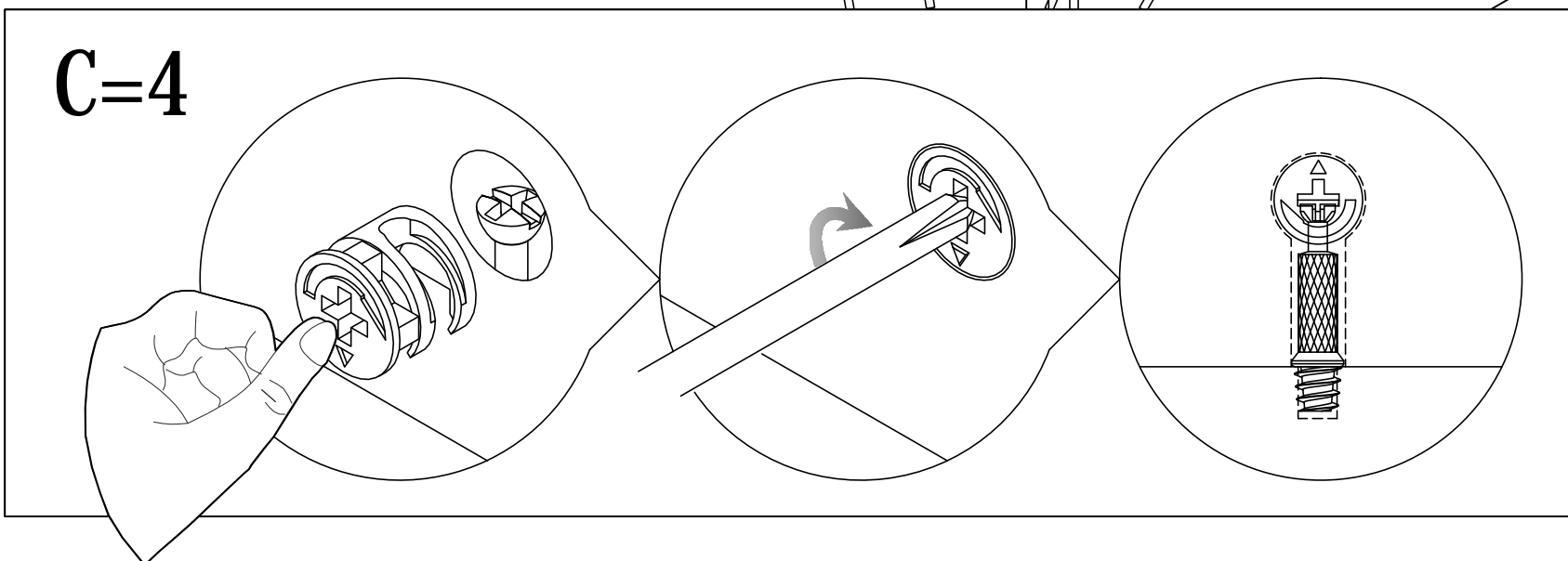
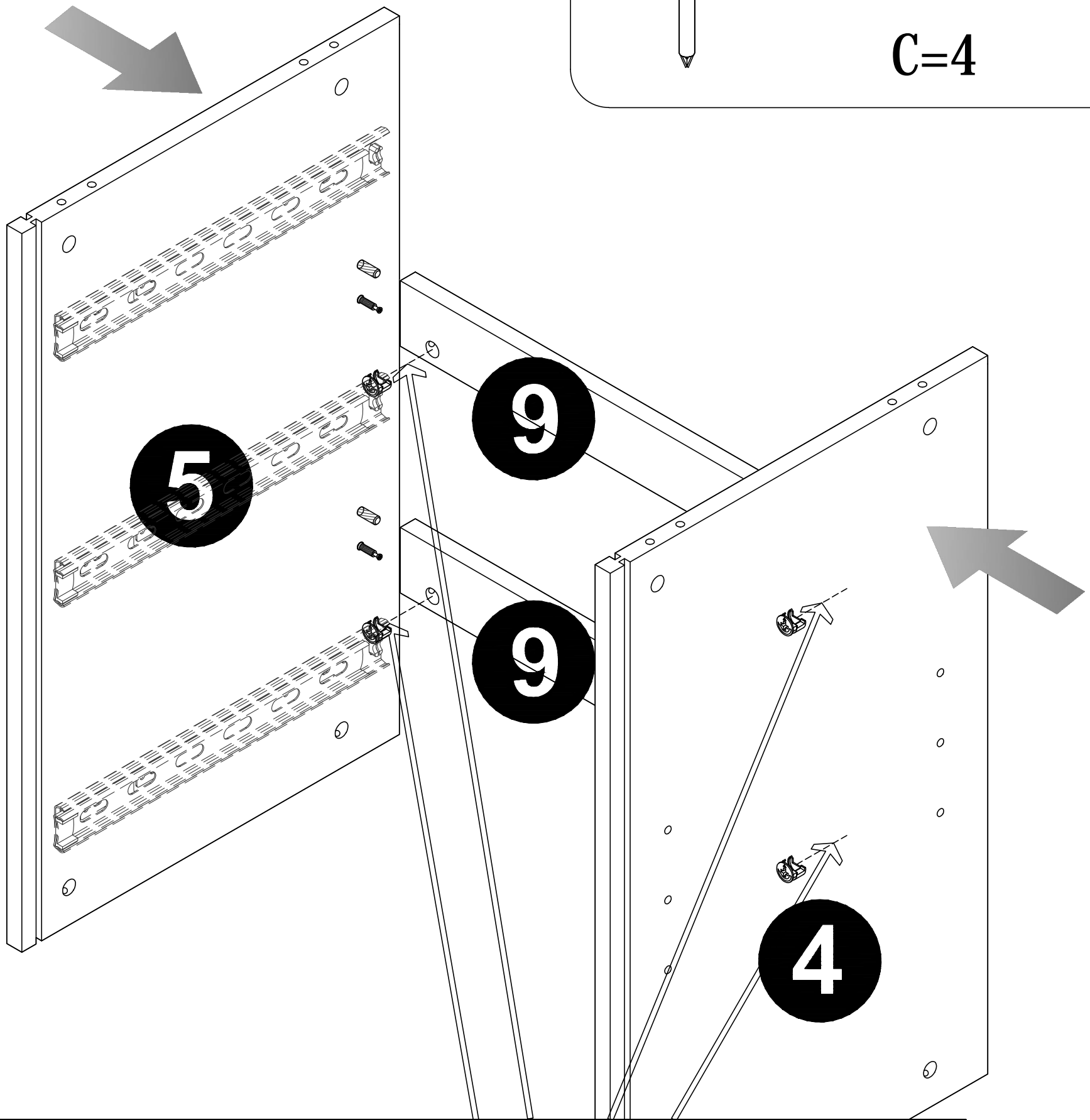
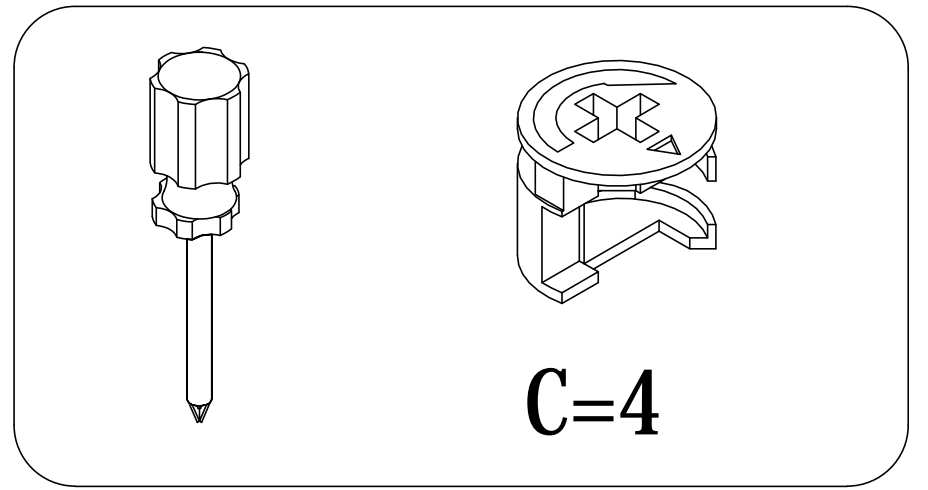
STEP 5



STEP 6

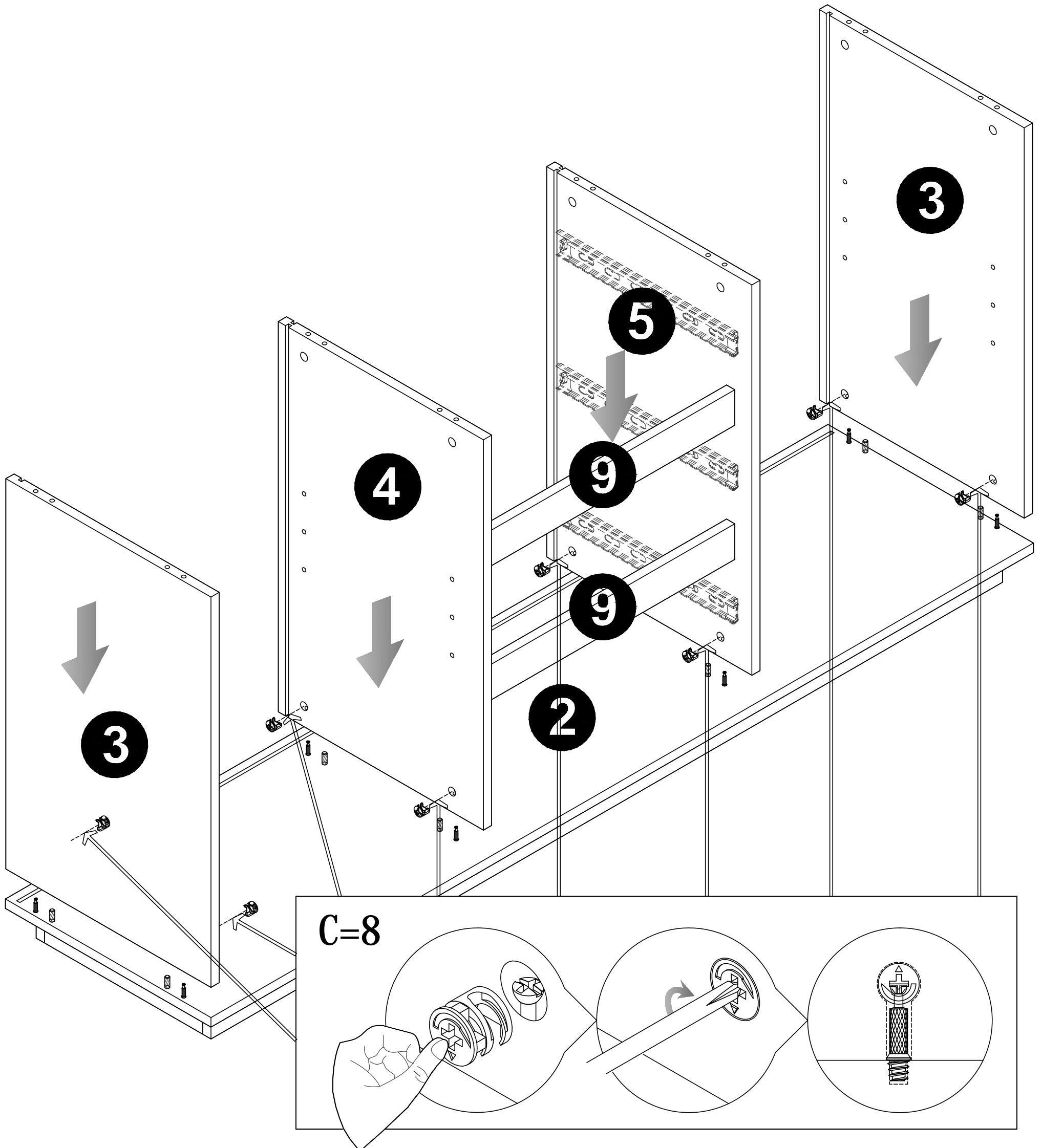
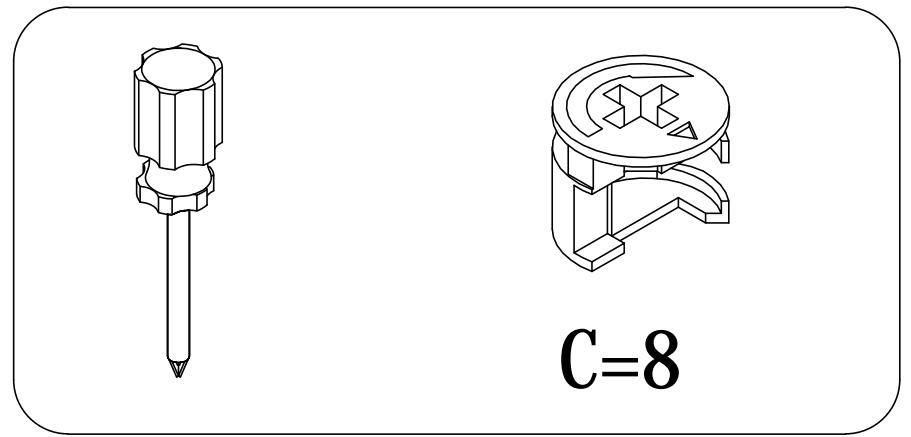


STEP 7



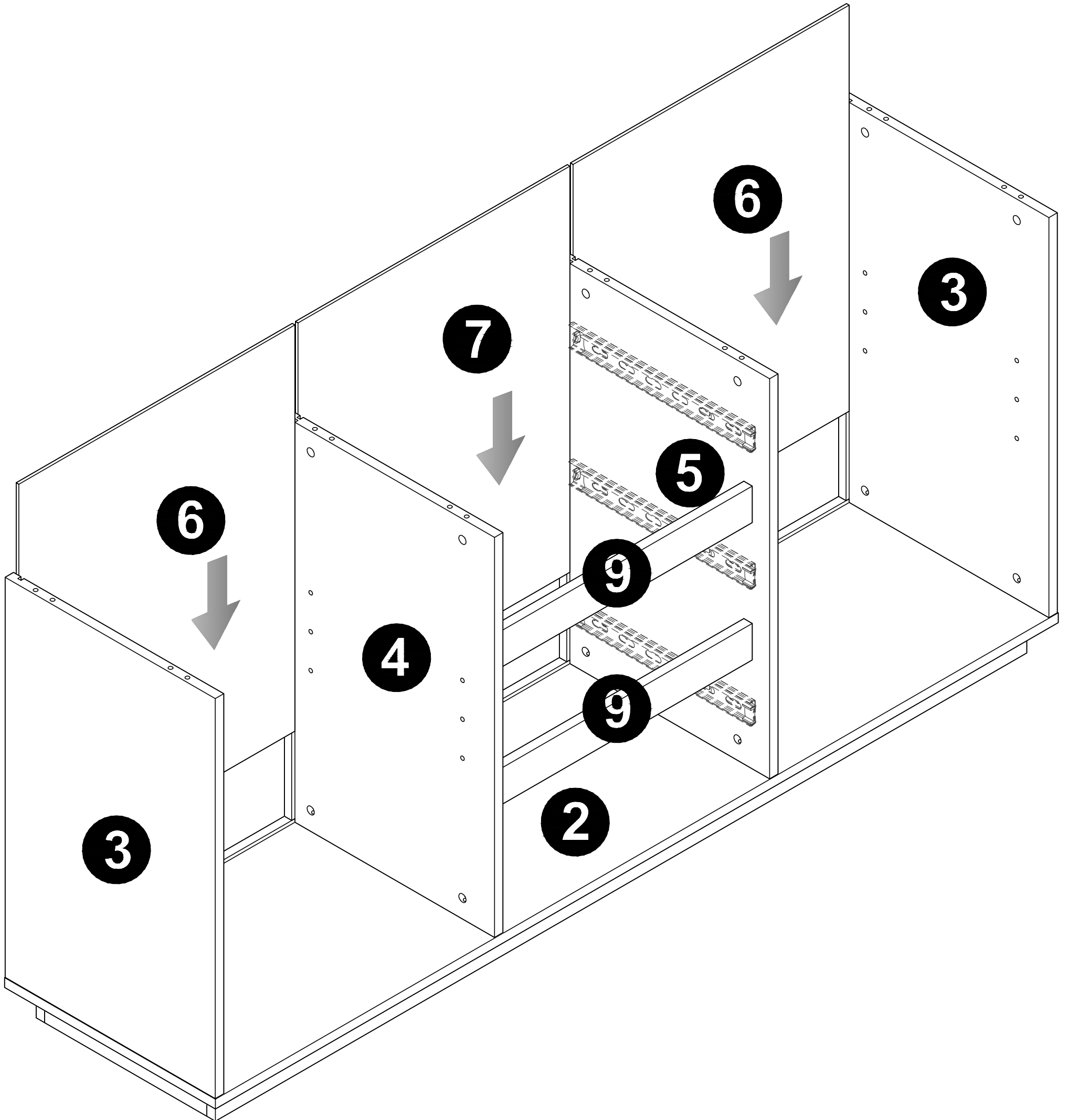
STEP 8

*Ensure No.4 is on the left side and No.5 is on the right

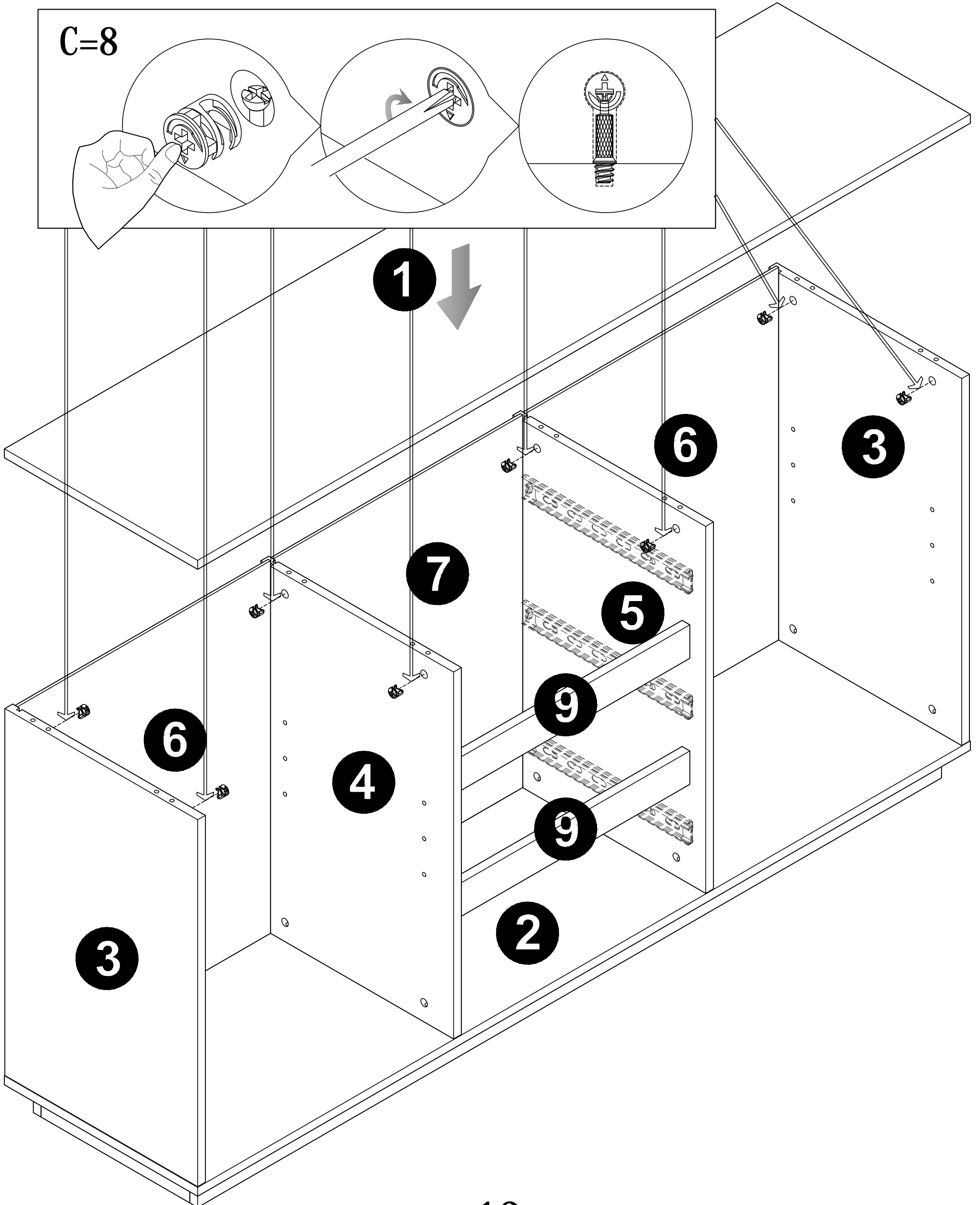
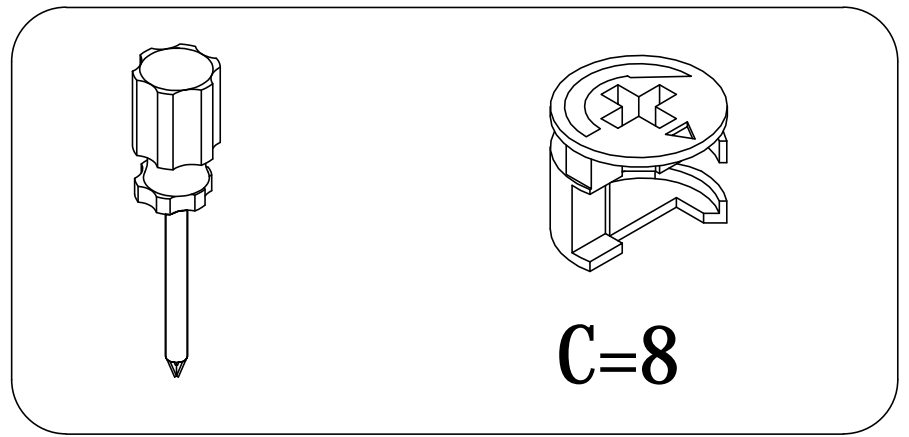


STEP 9

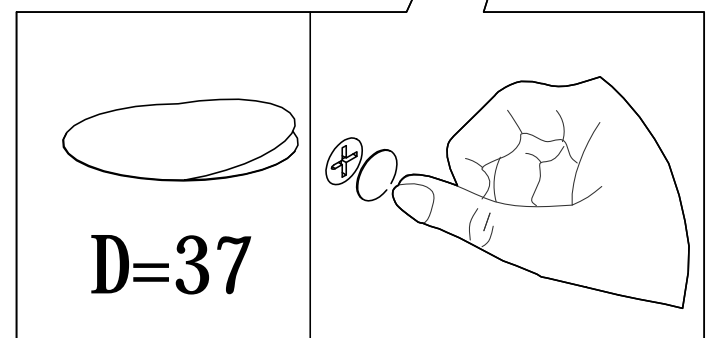
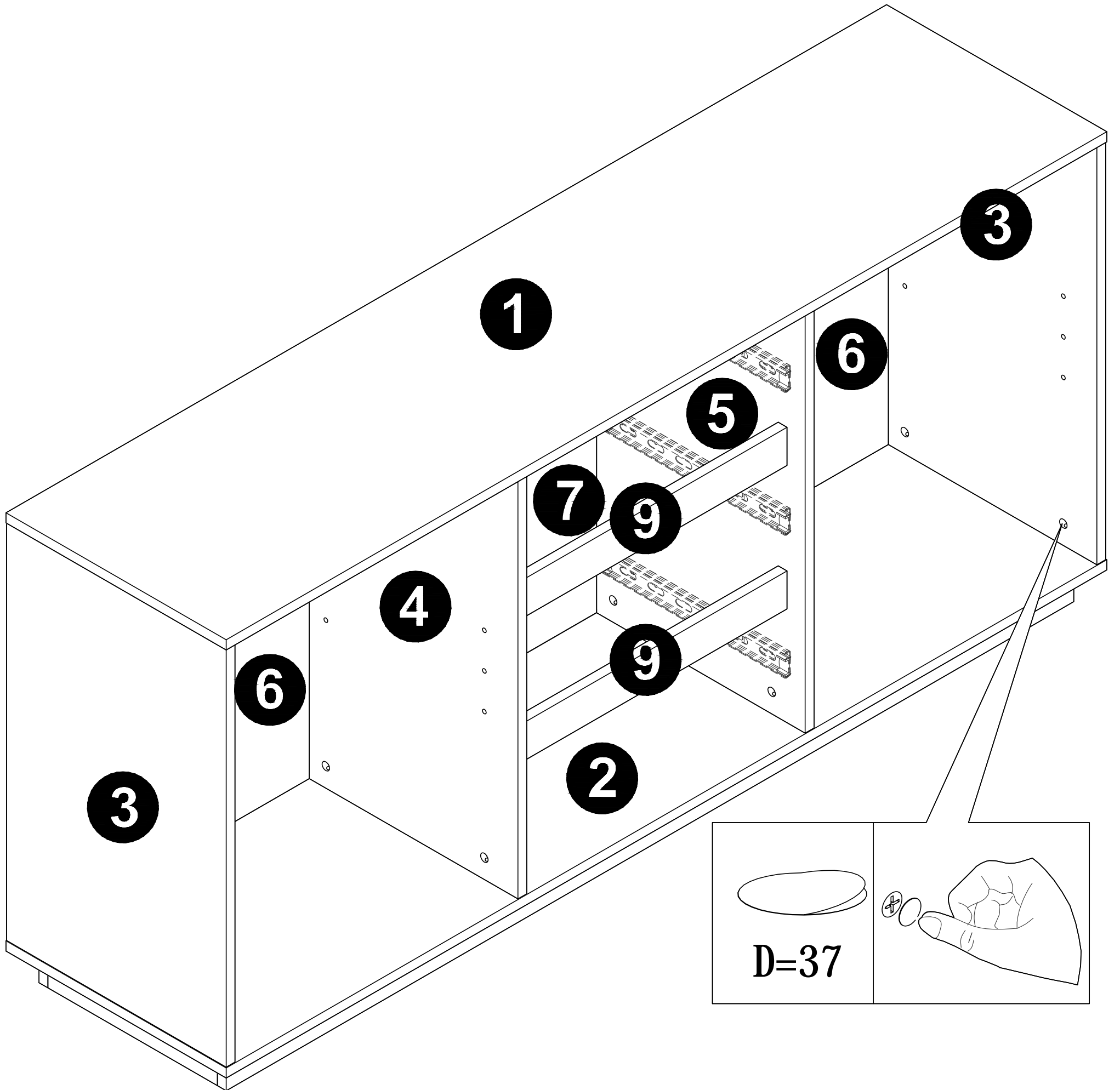
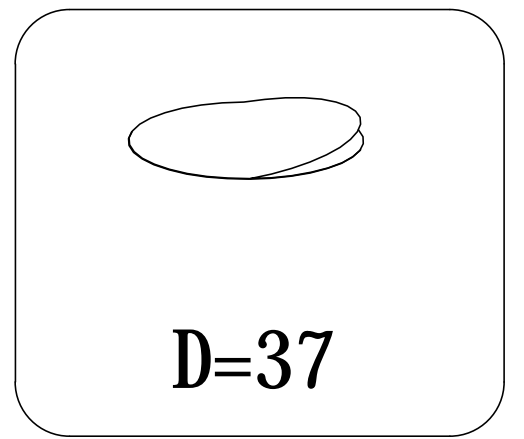
*The NO. 7 must be in the middle



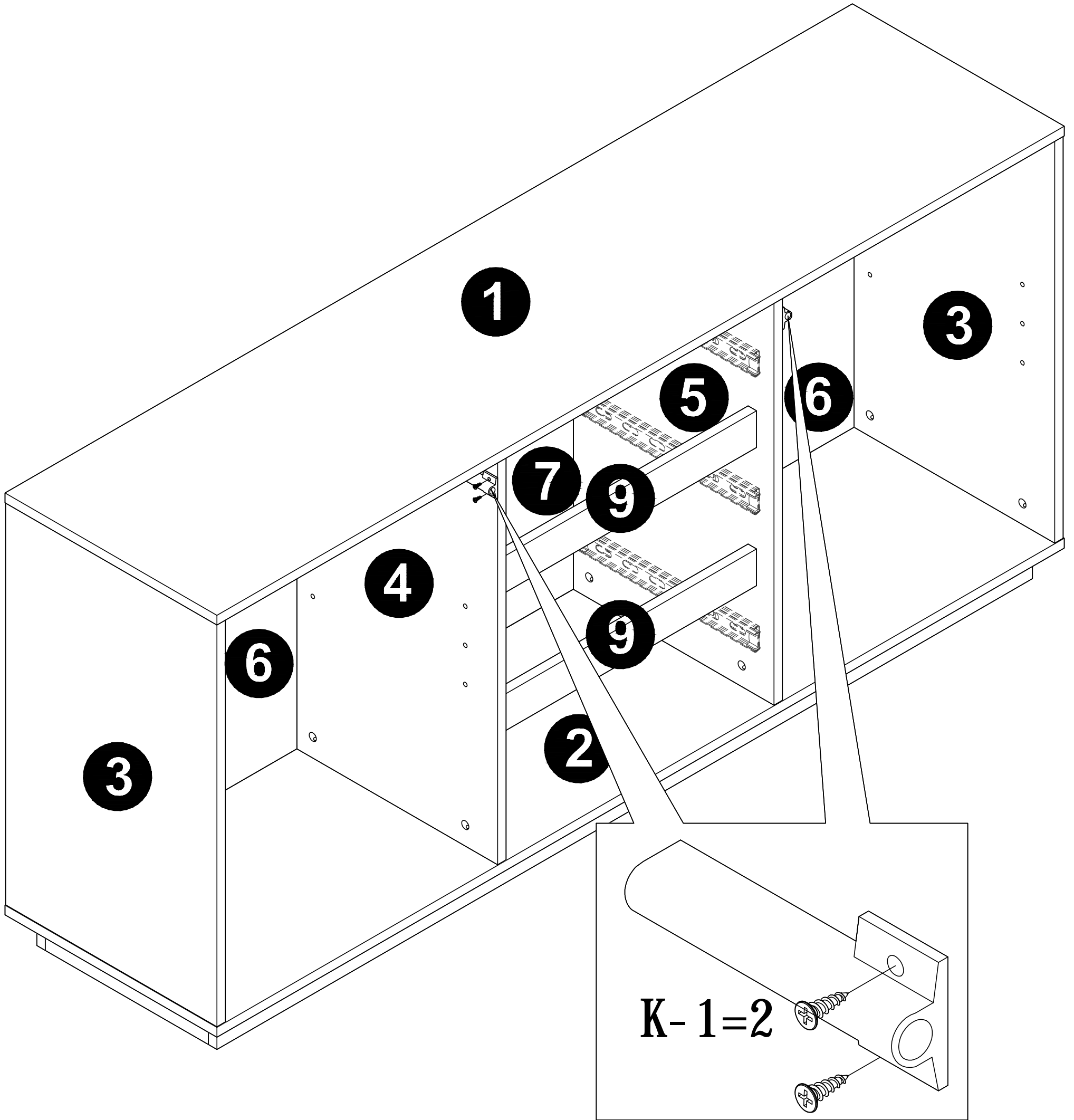
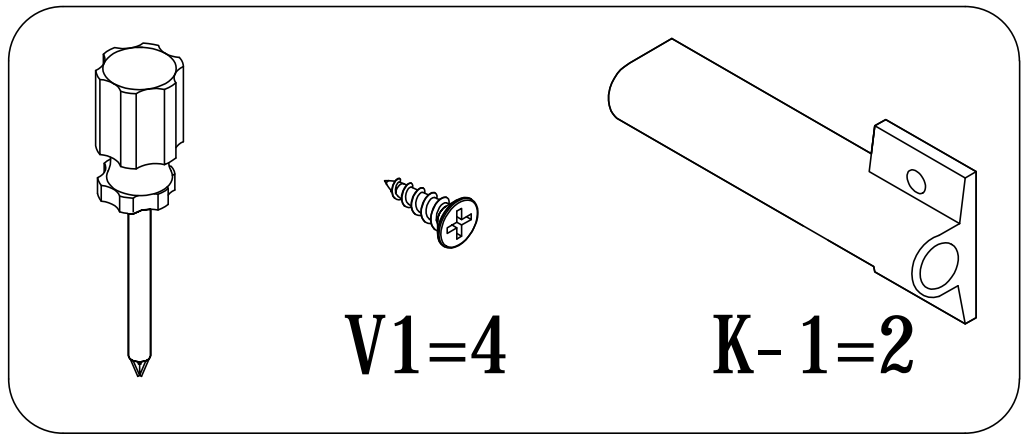
STEP 10



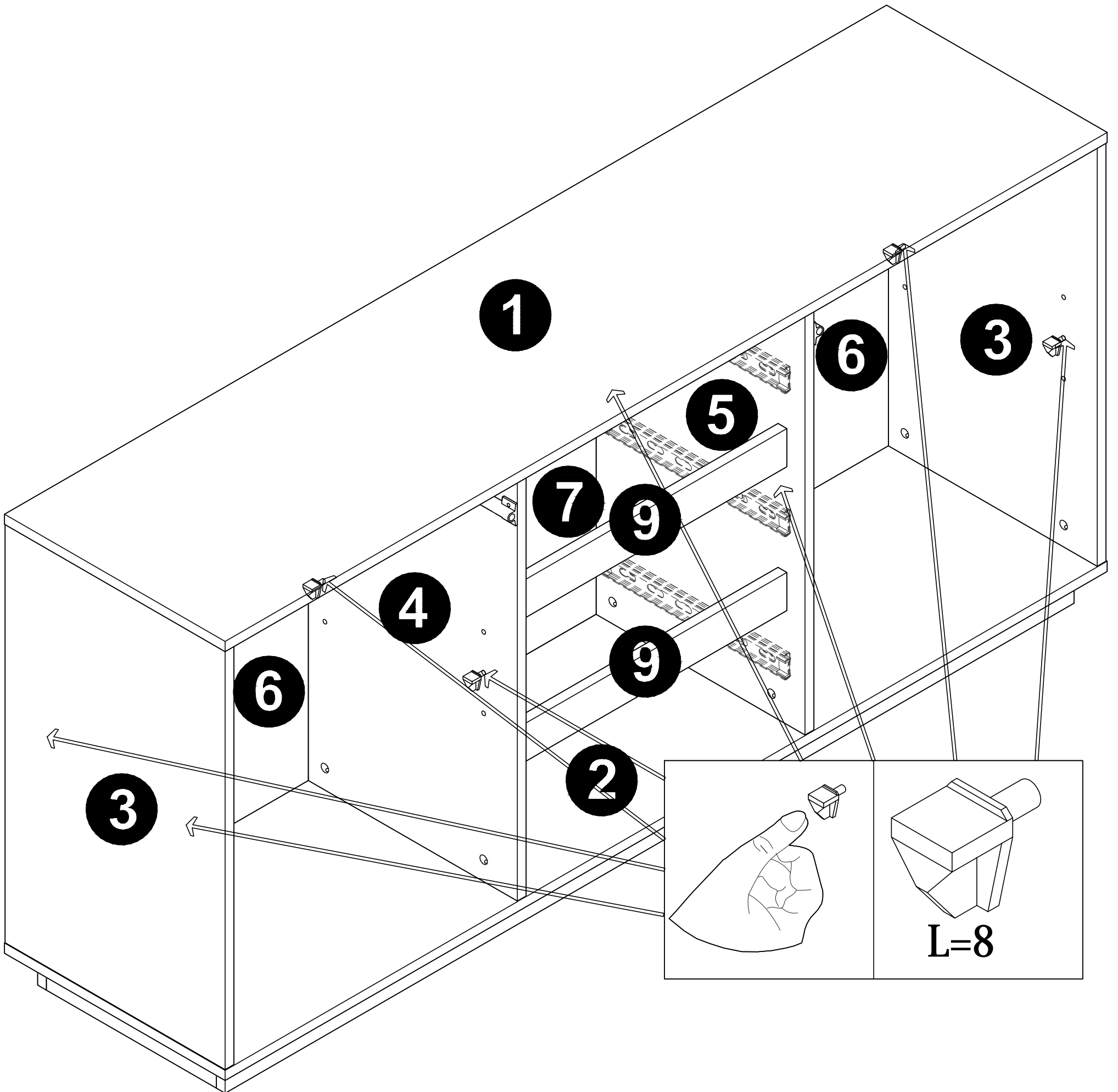
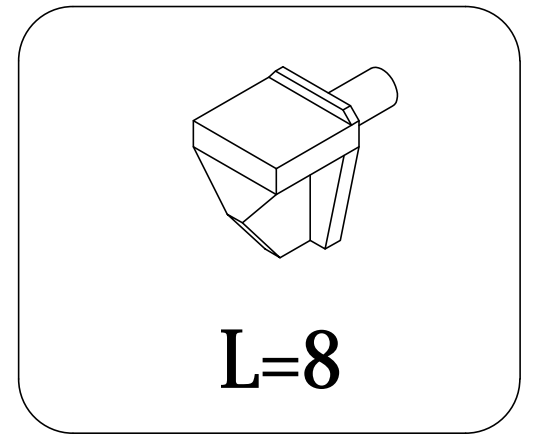
STEP 11



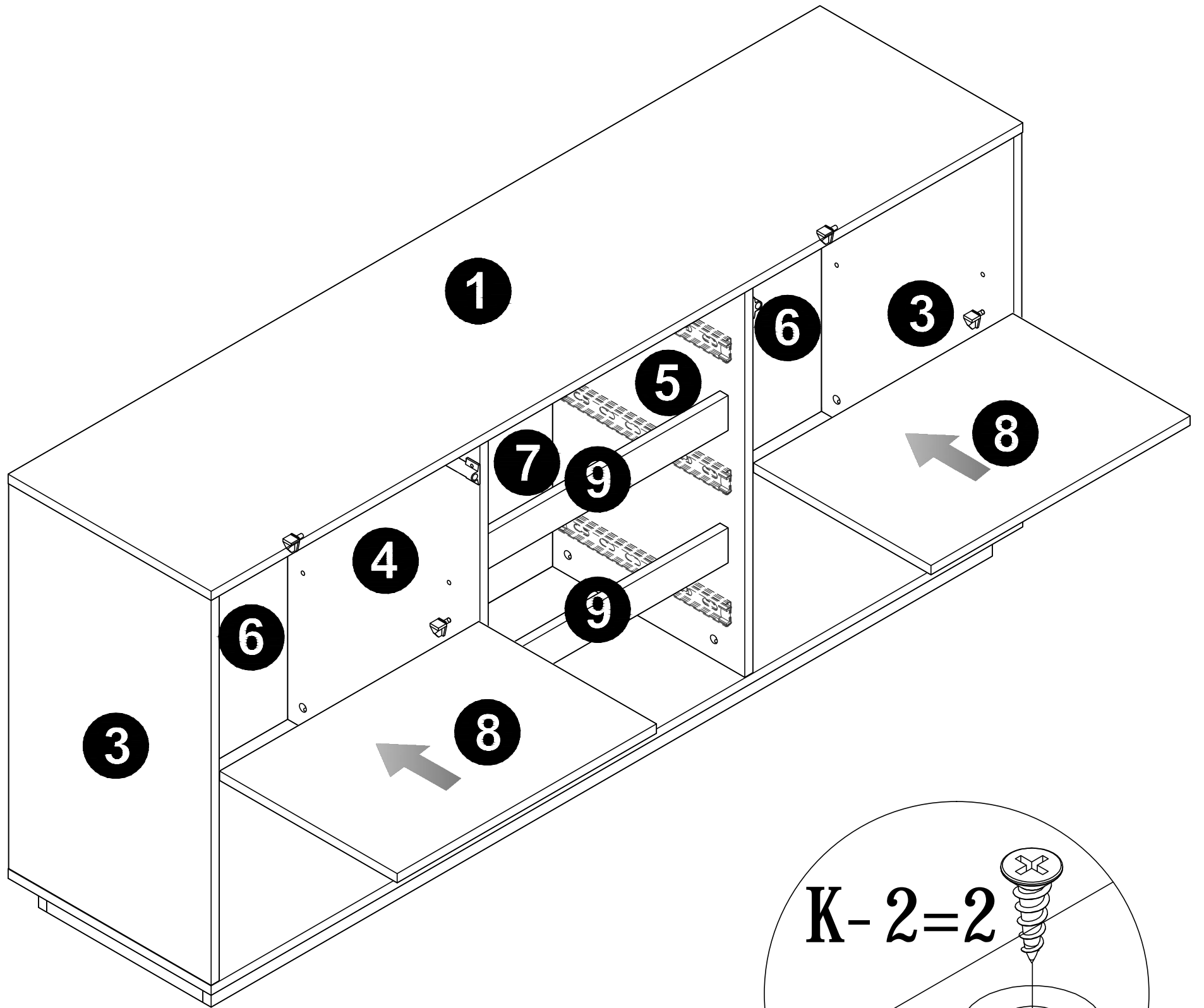
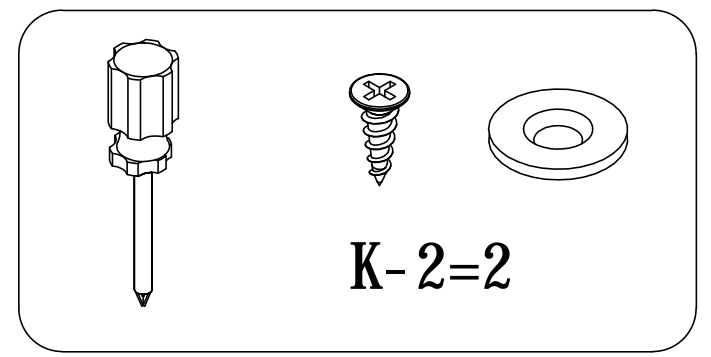
STEP 12



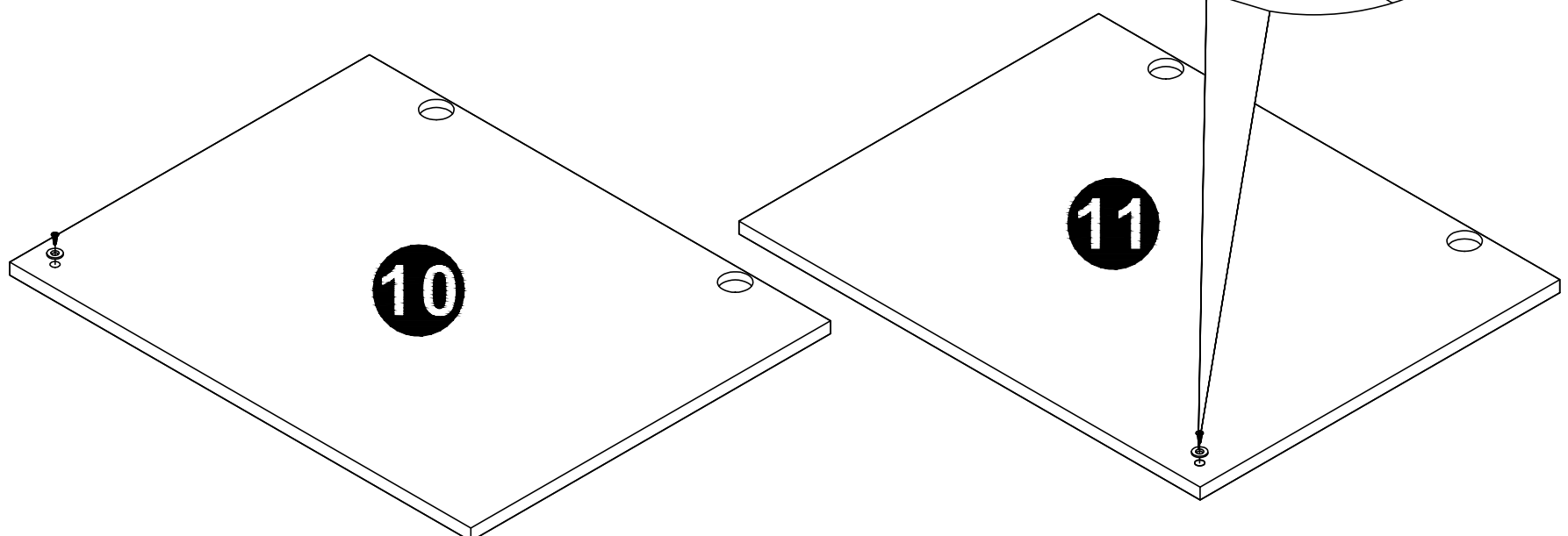
STEP 13



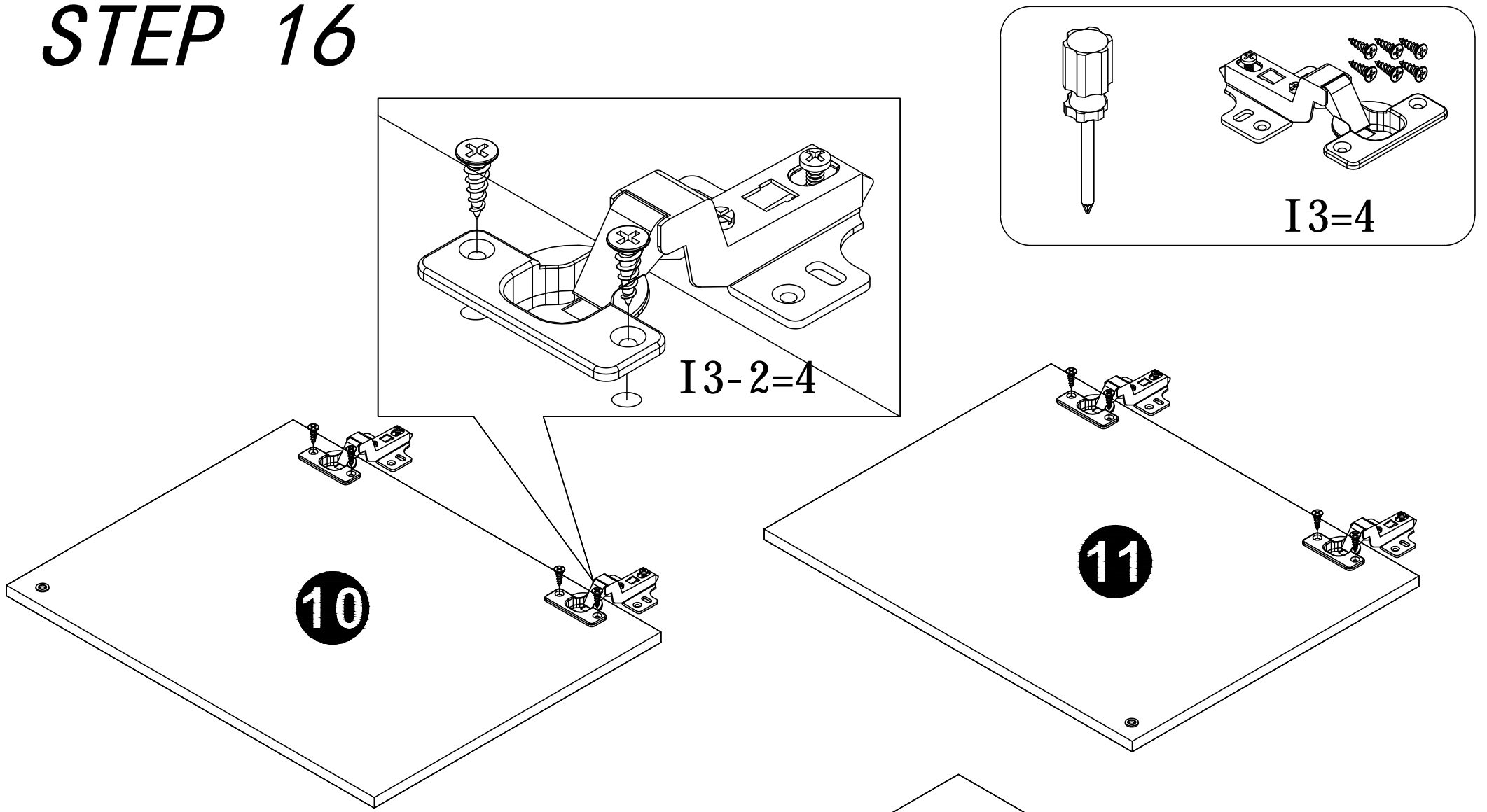
STEP 14



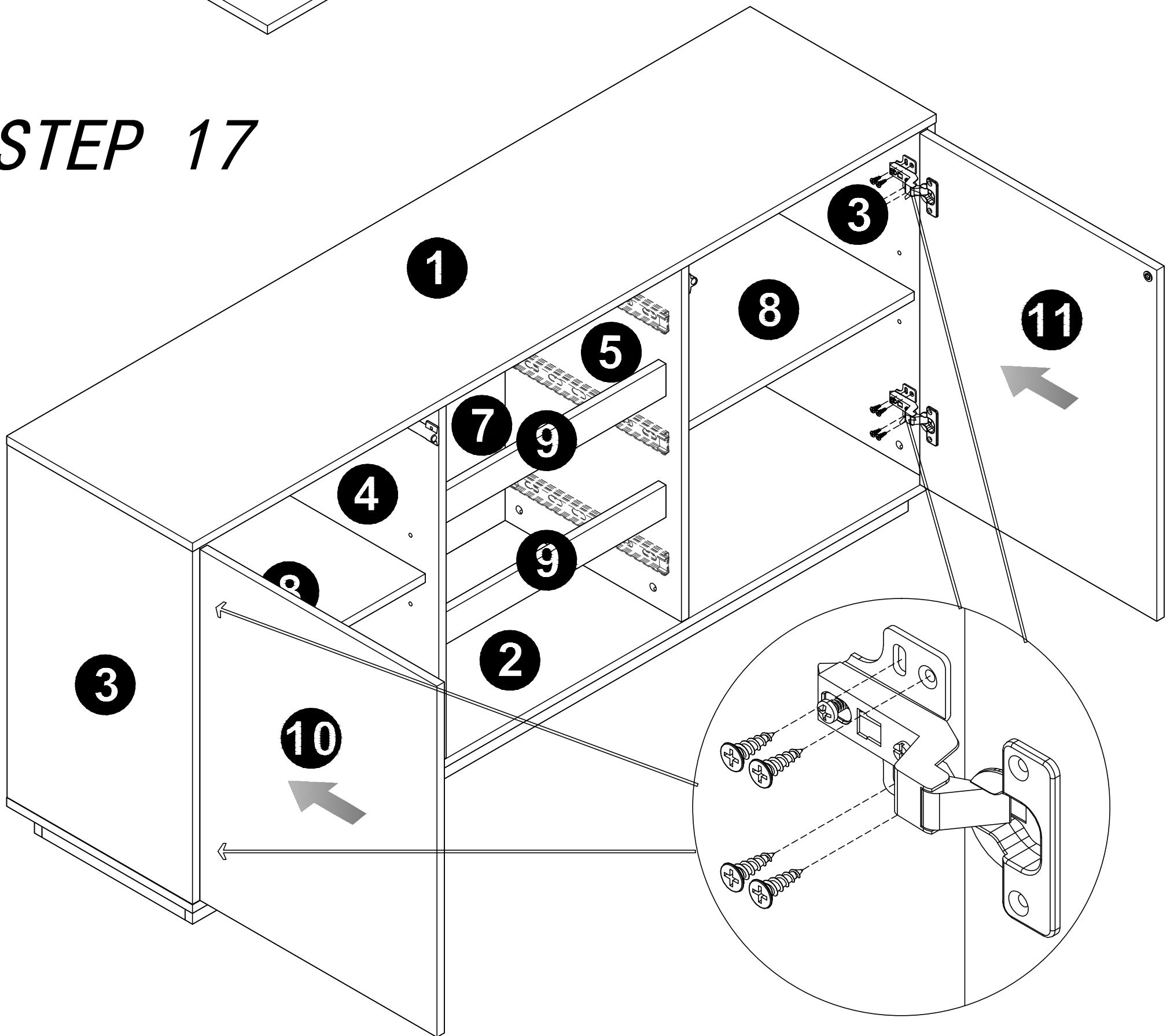
STEP 15



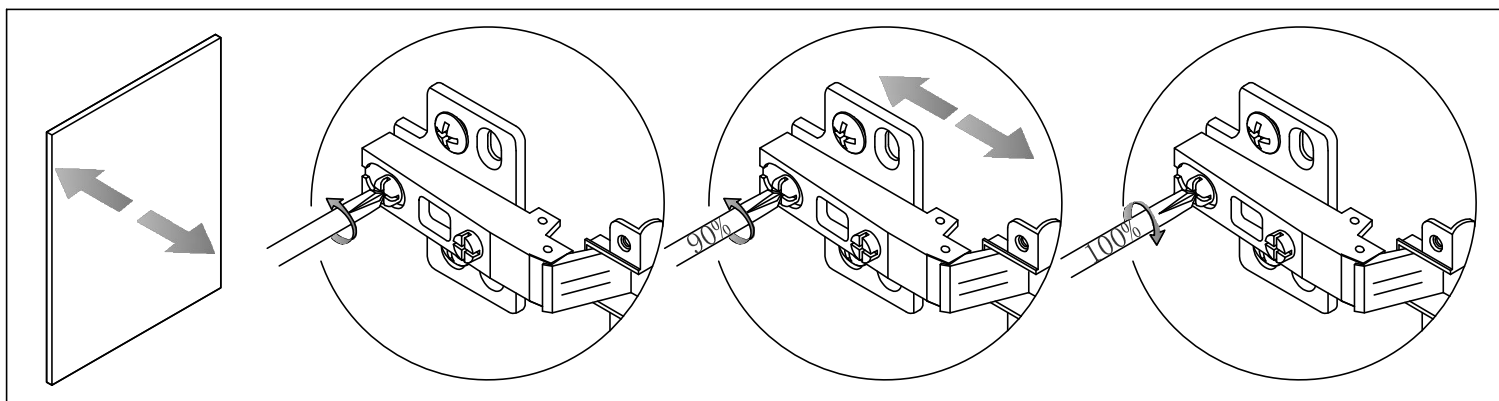
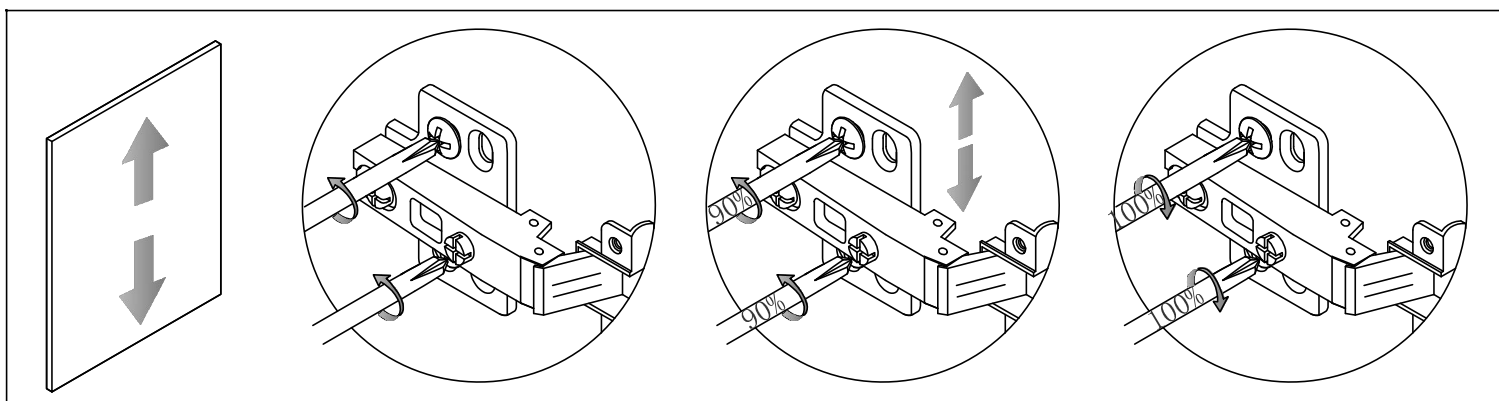
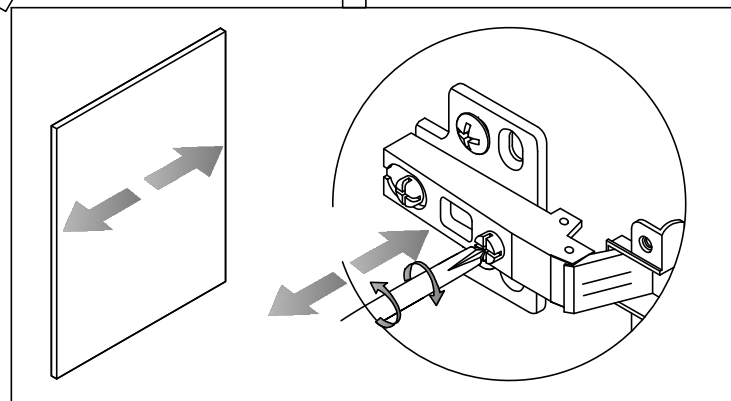
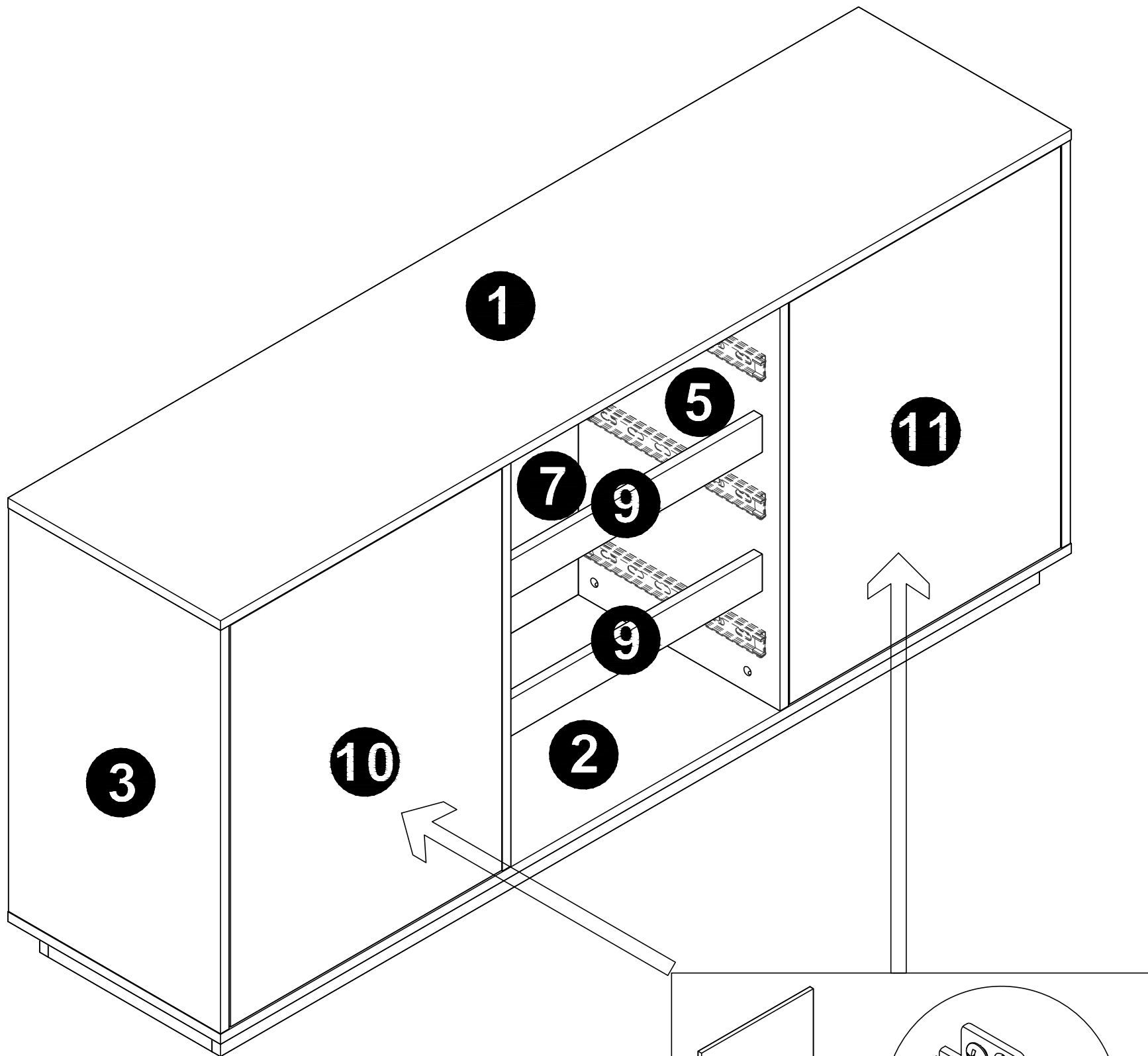
STEP 16



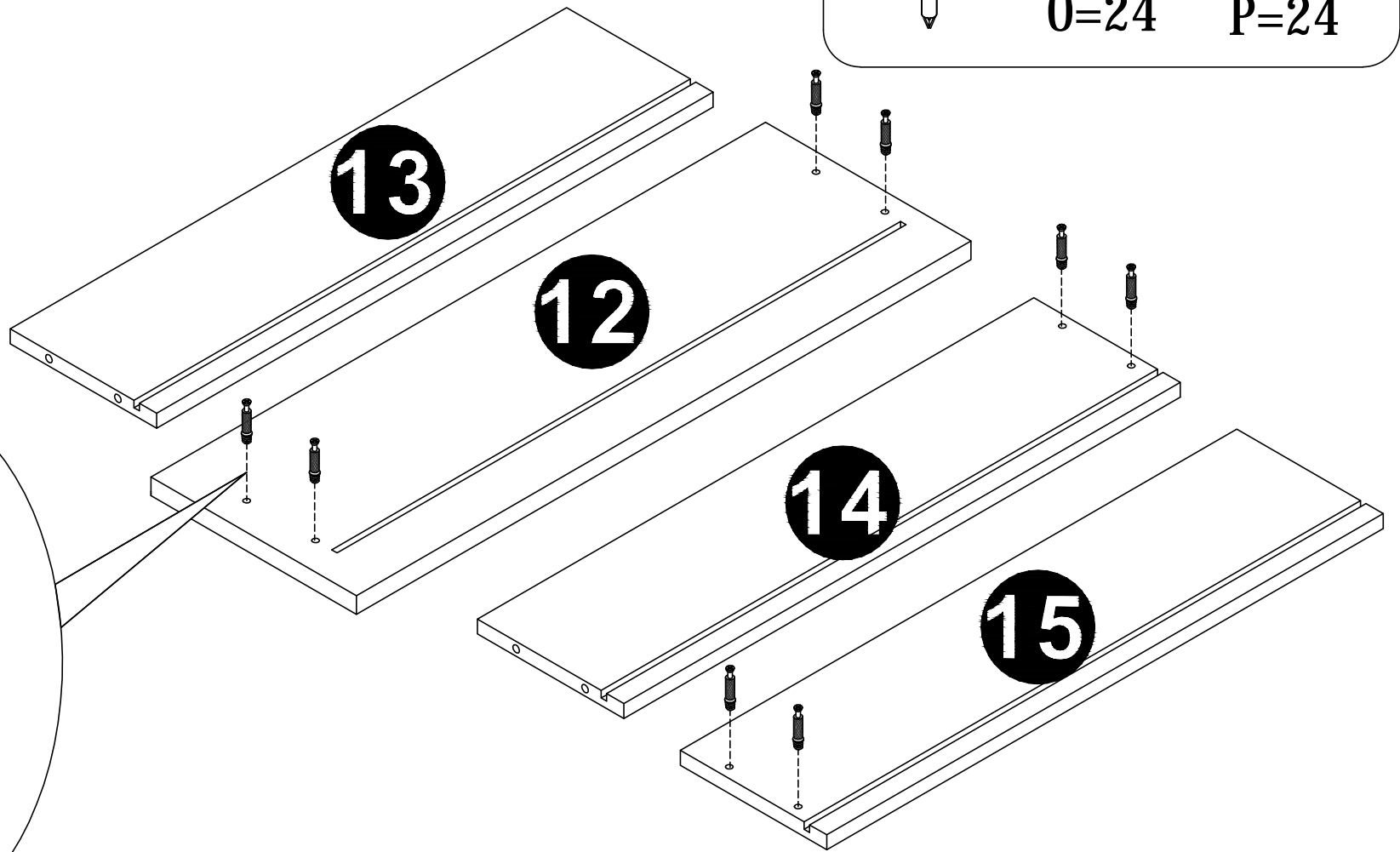
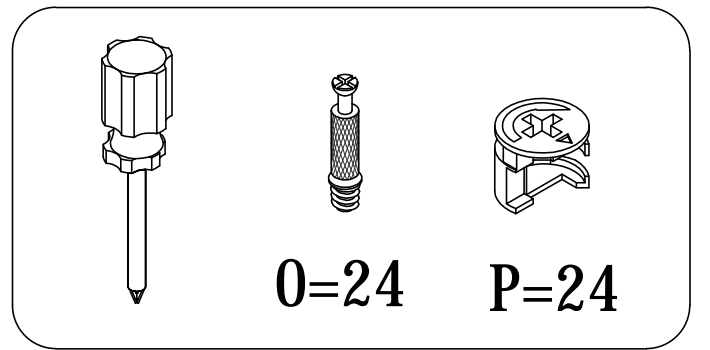
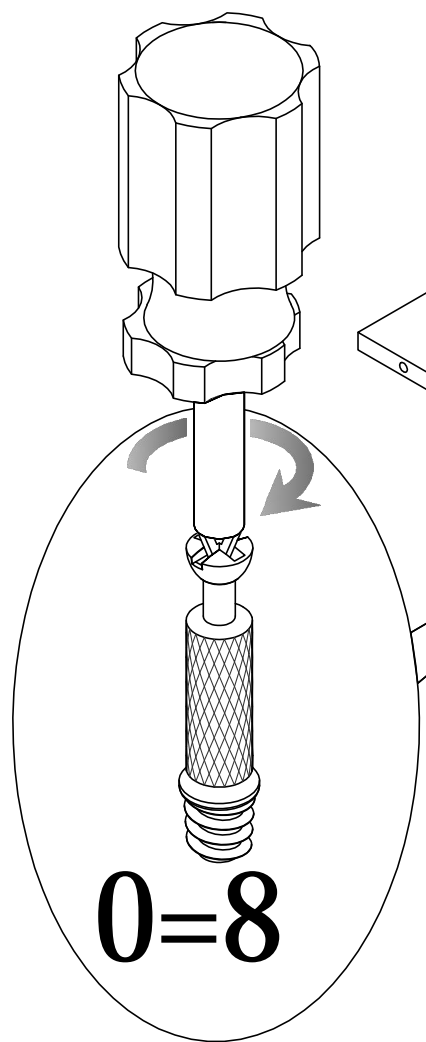
STEP 17



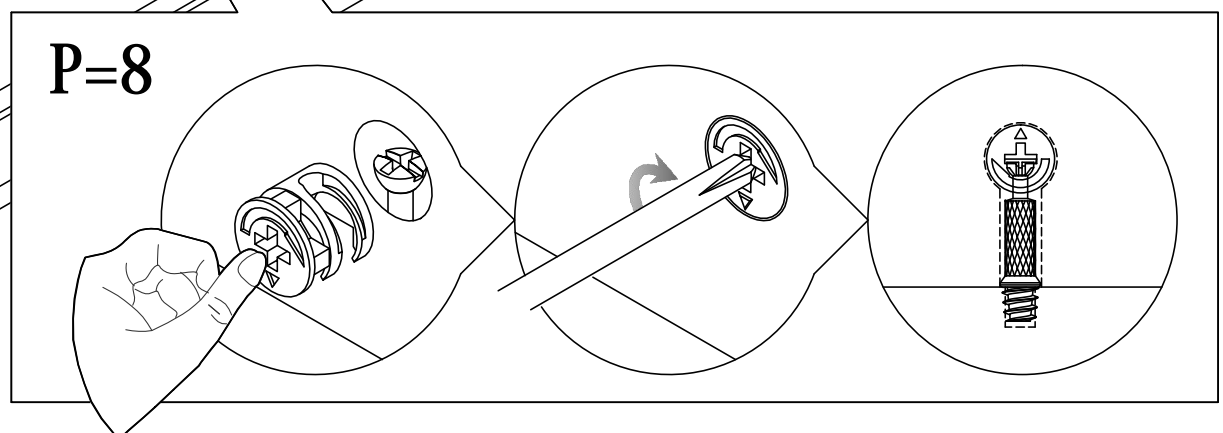
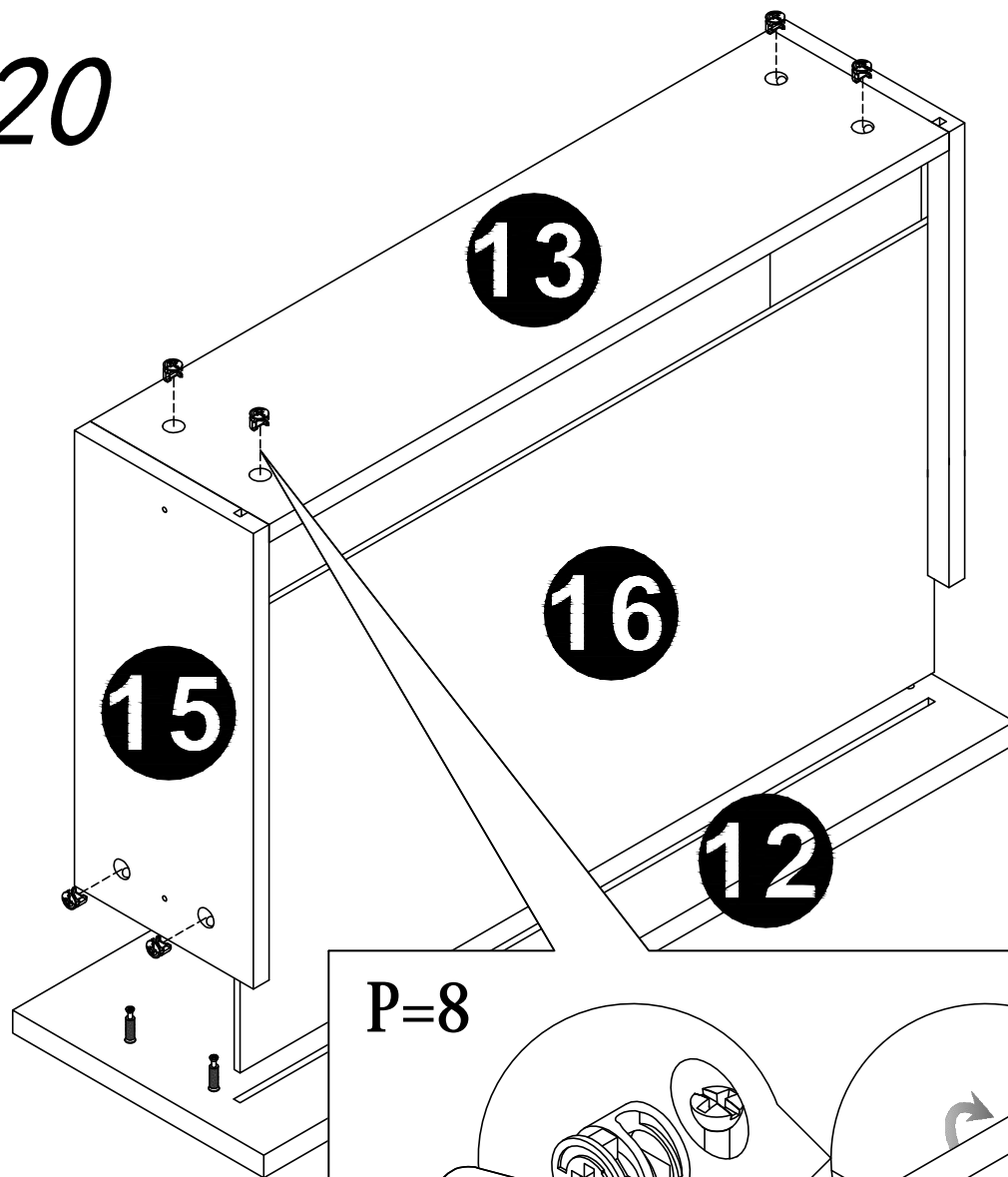
STEP 18



STEP 19

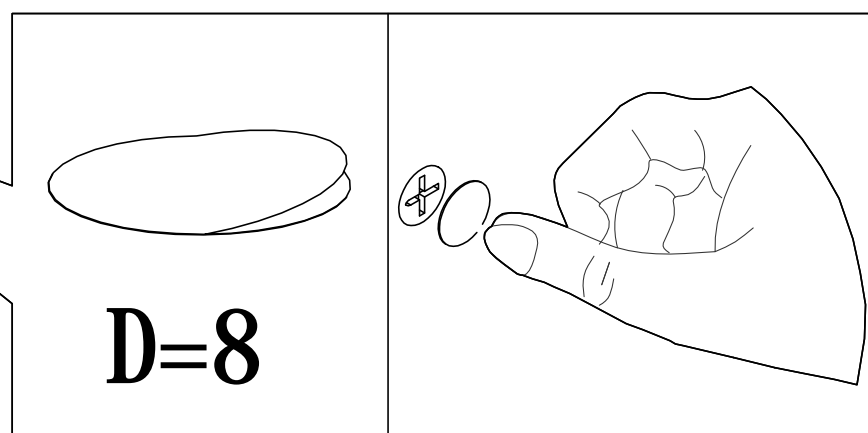
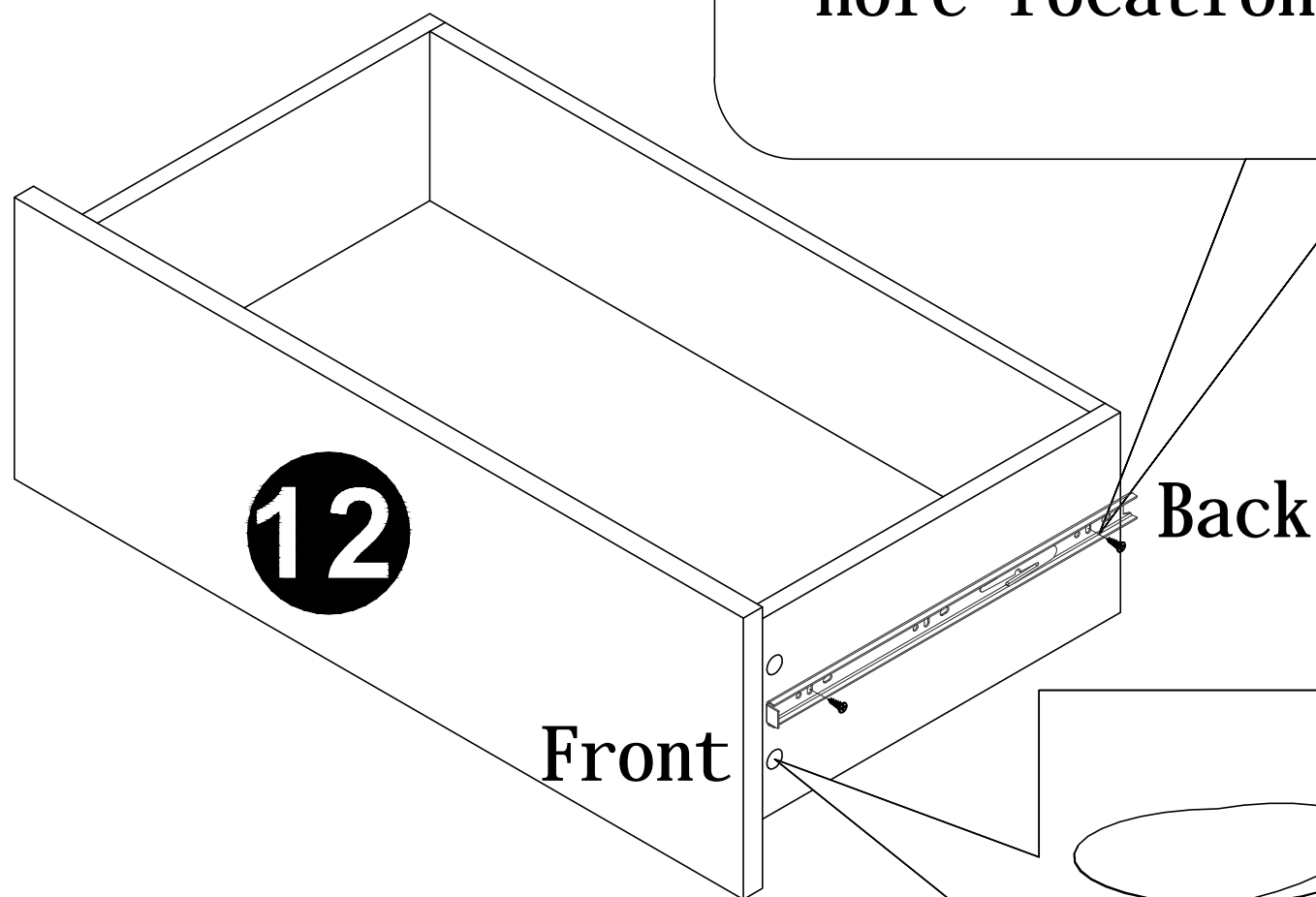
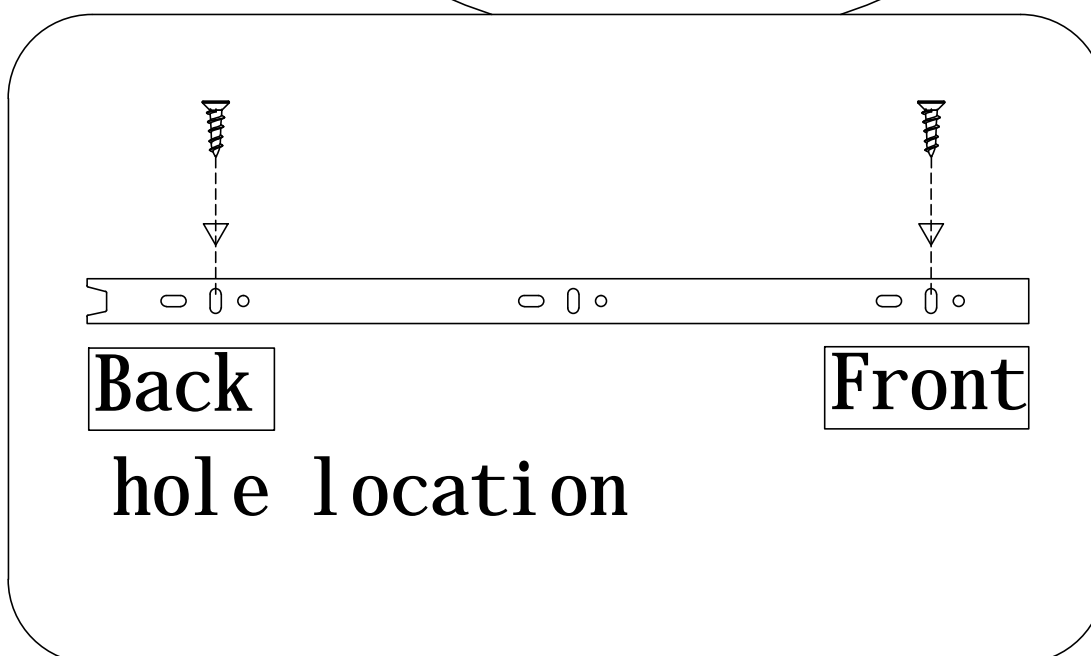
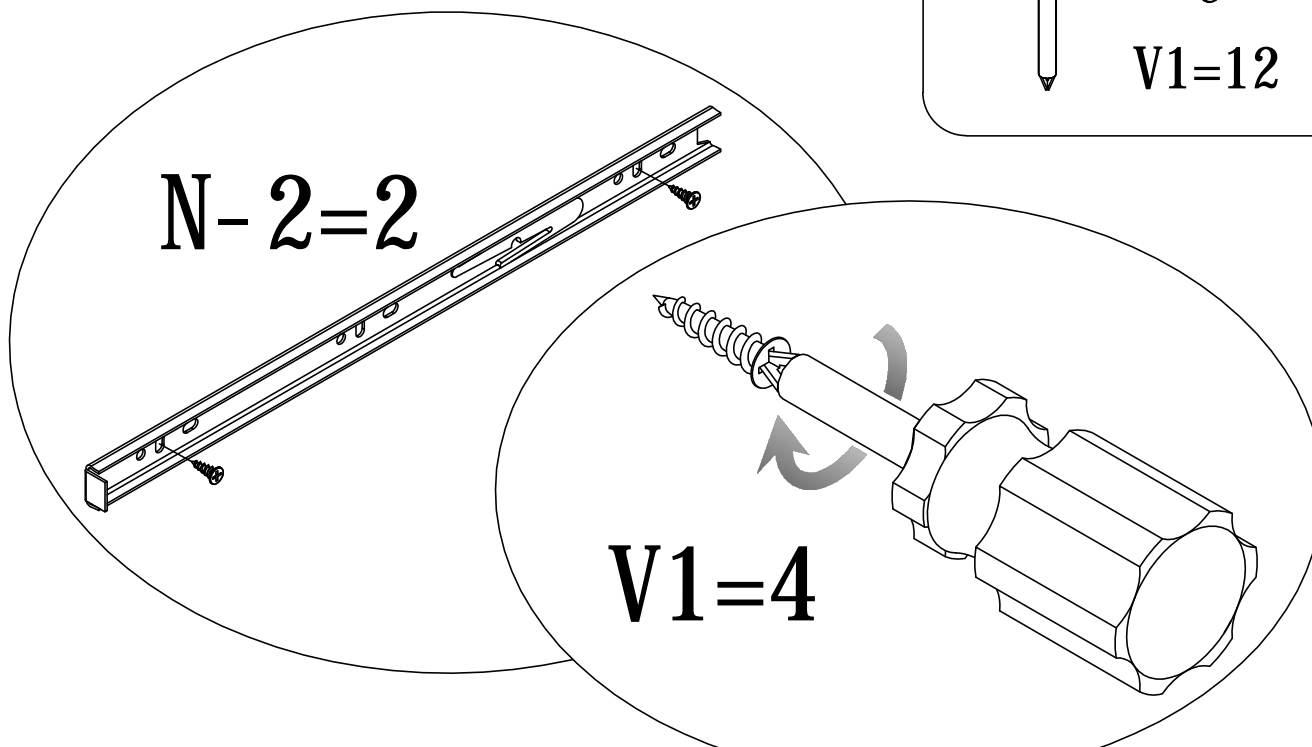
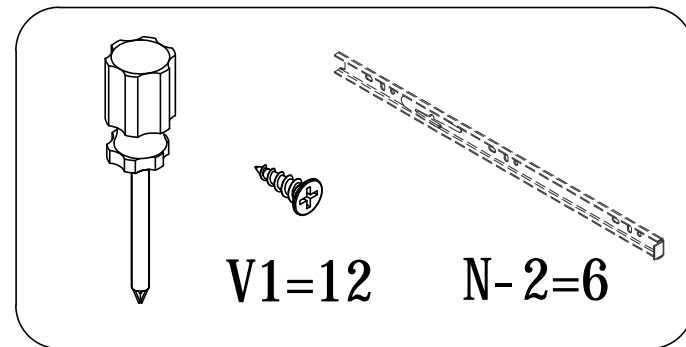


STEP 20



repeat for 3 drawers

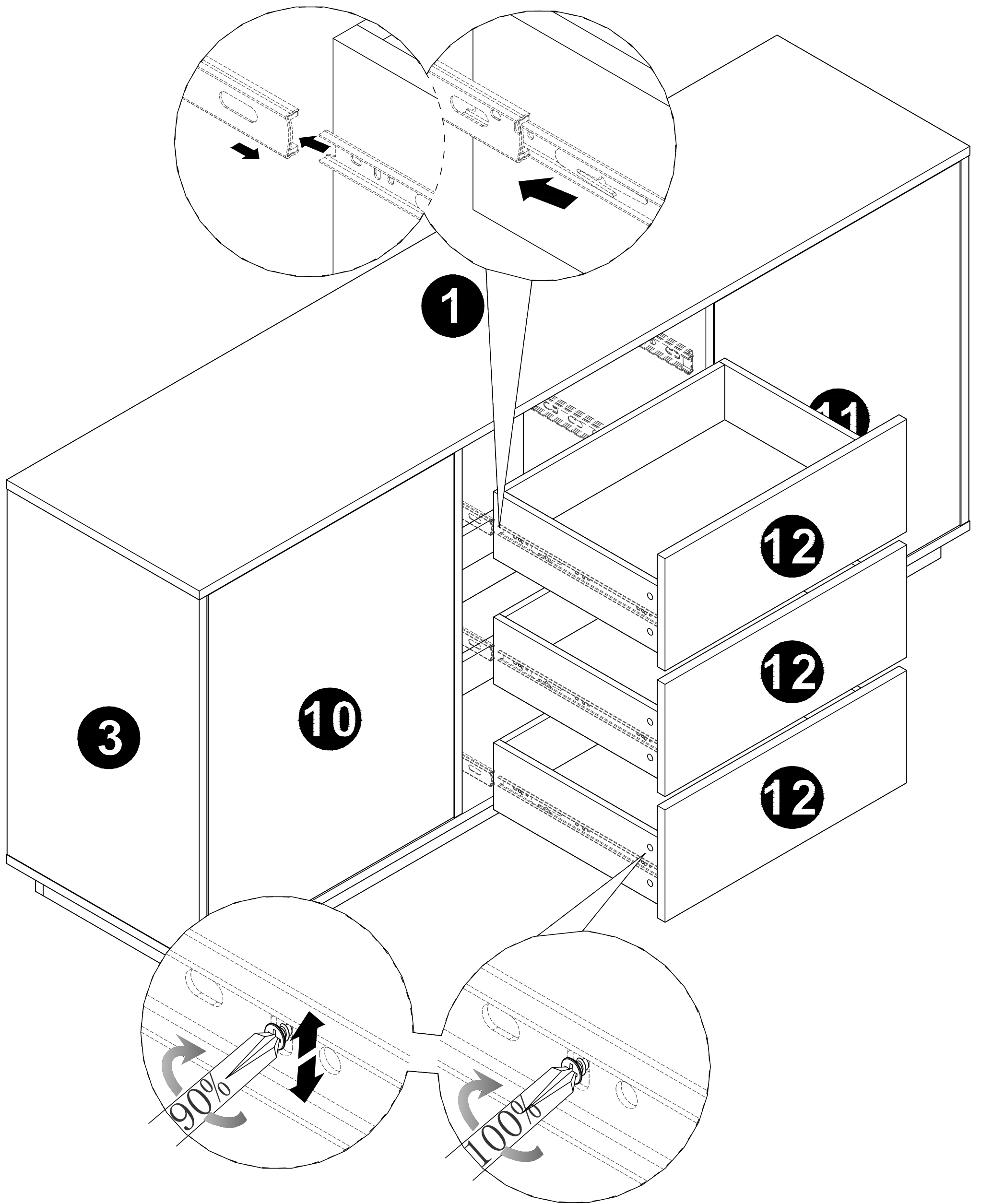
STEP 21



The drawers will allign evenly when you ensure the screw is in the same place

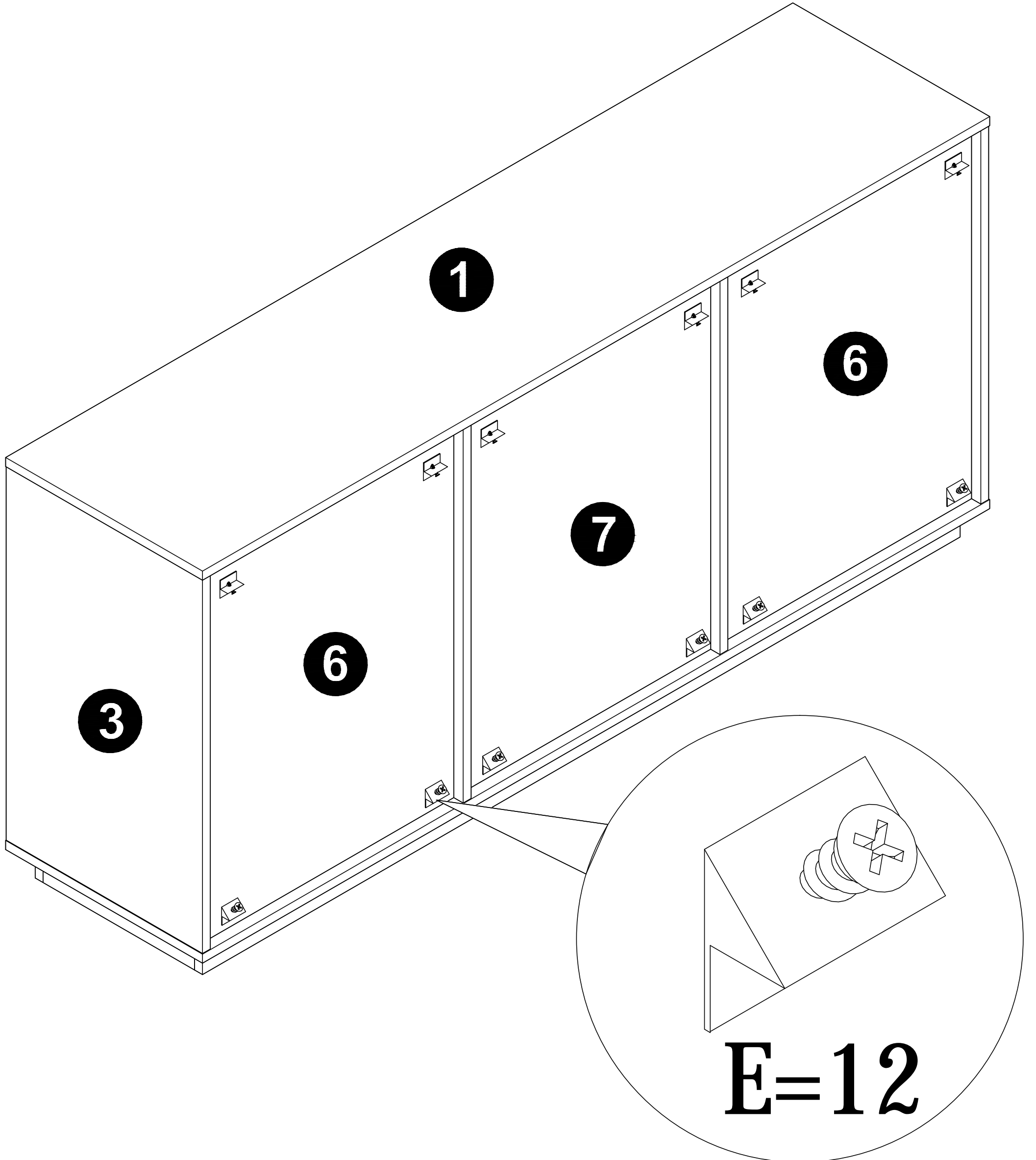
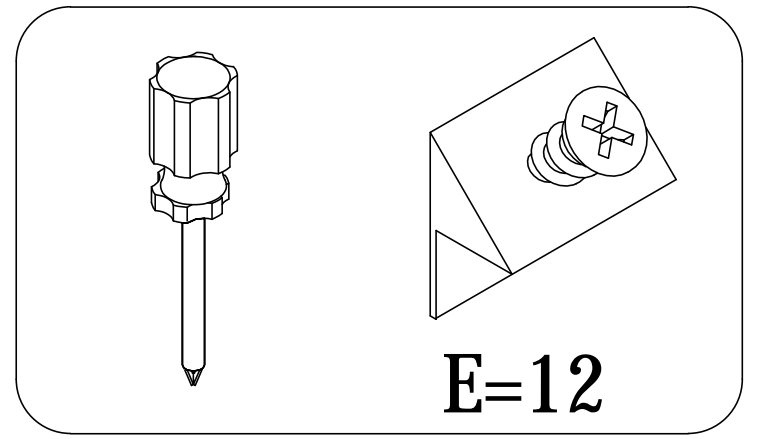
repeat for 3drawers

STEP 22

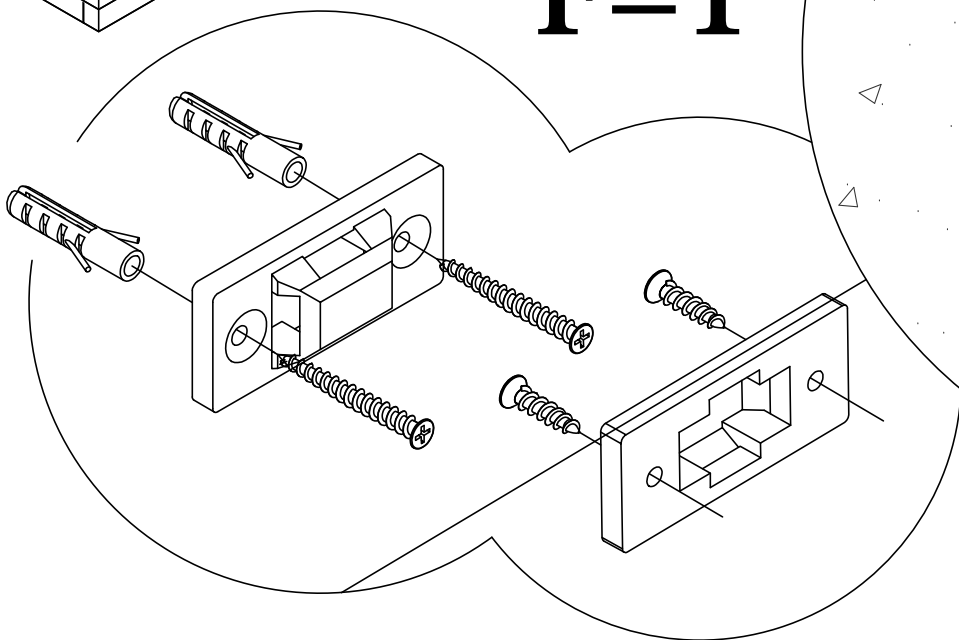
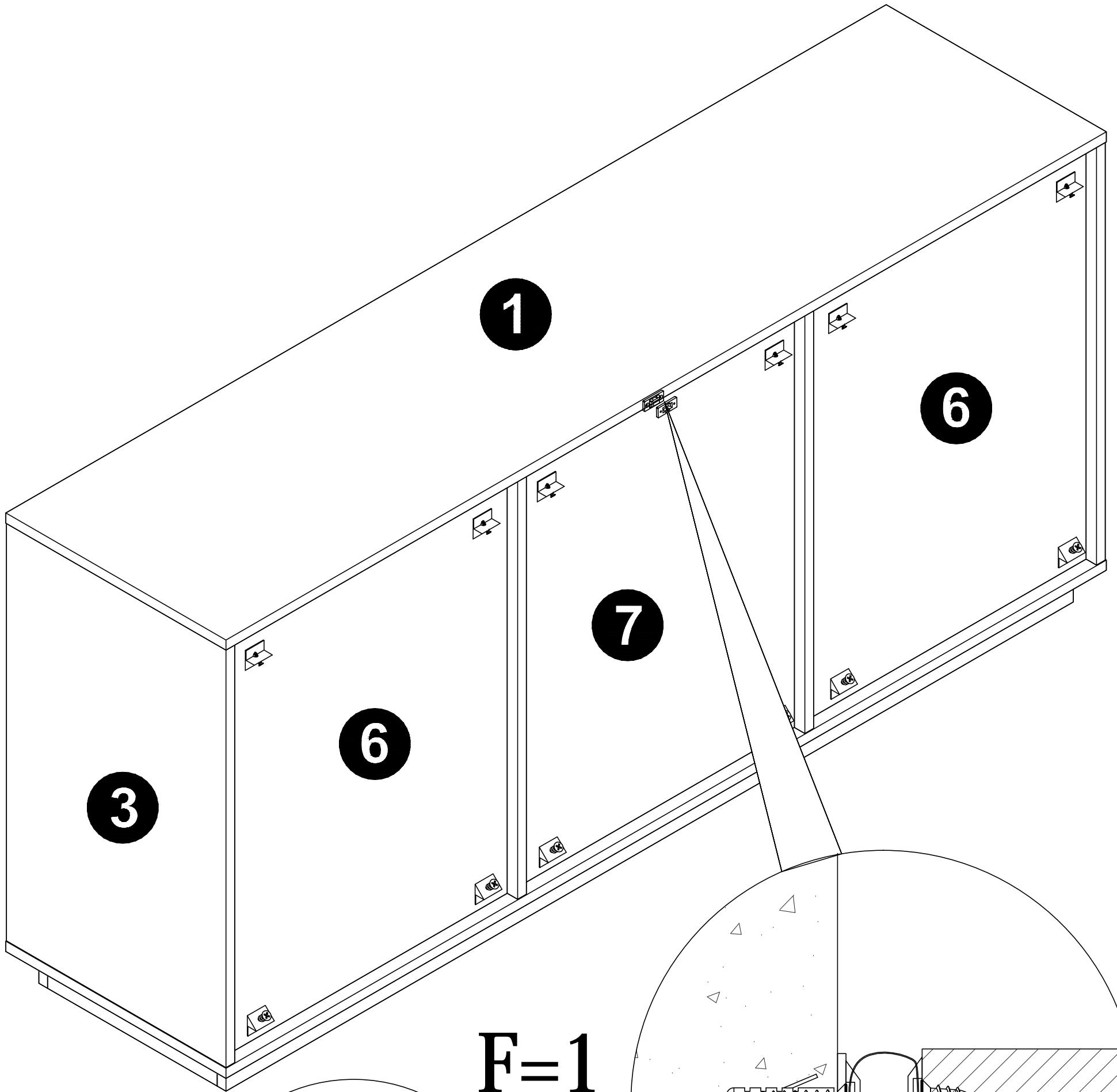
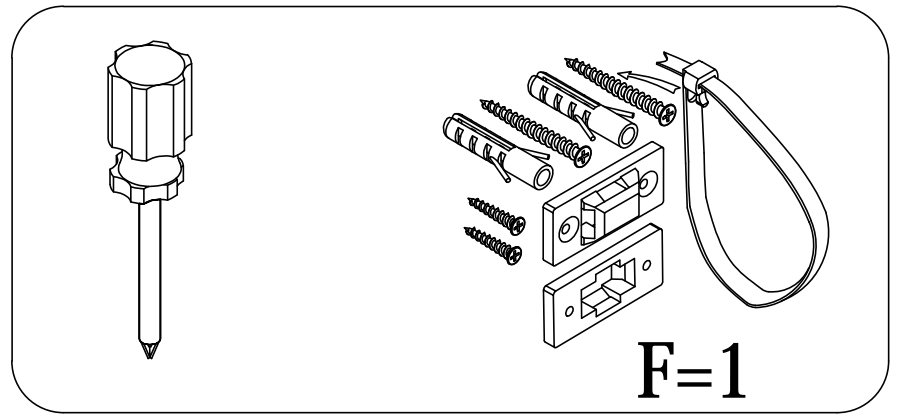


If drawers are stiff or uneven, adjust the position of the screws on the drawer runners. Try to keep all screws in the same position.

STEP 23



STEP 24



STEP 25

