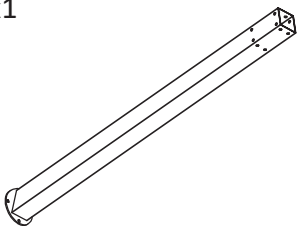
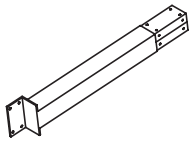
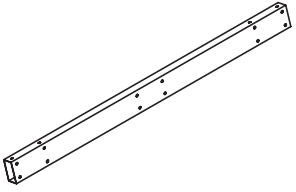
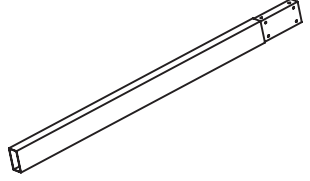
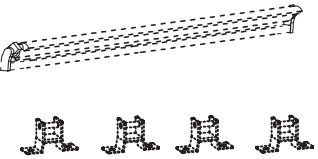
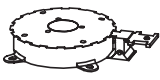



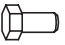
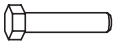
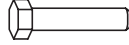





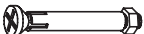

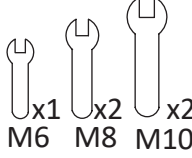
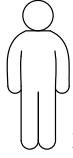


Ax1 	Bx1 	Cx1 	Dx2 	
Ex1 	Fx1 	Gx1 	Hx4 	
Ix32  M6x $\frac{15}{0.6}$	Jx8  M10x $\frac{15}{0.6}$	Kx4  M8x $\frac{55}{2.2}$	Lx8  M10x $\frac{60}{2.4}$	
Mx32  φ6.5	Nx4  φ8.5	Ox16  φ10.5	Px4  M8	Qx8  M10
Rx4  M10x $\frac{80}{3.1}$	Sx1 			 mm inch x2

