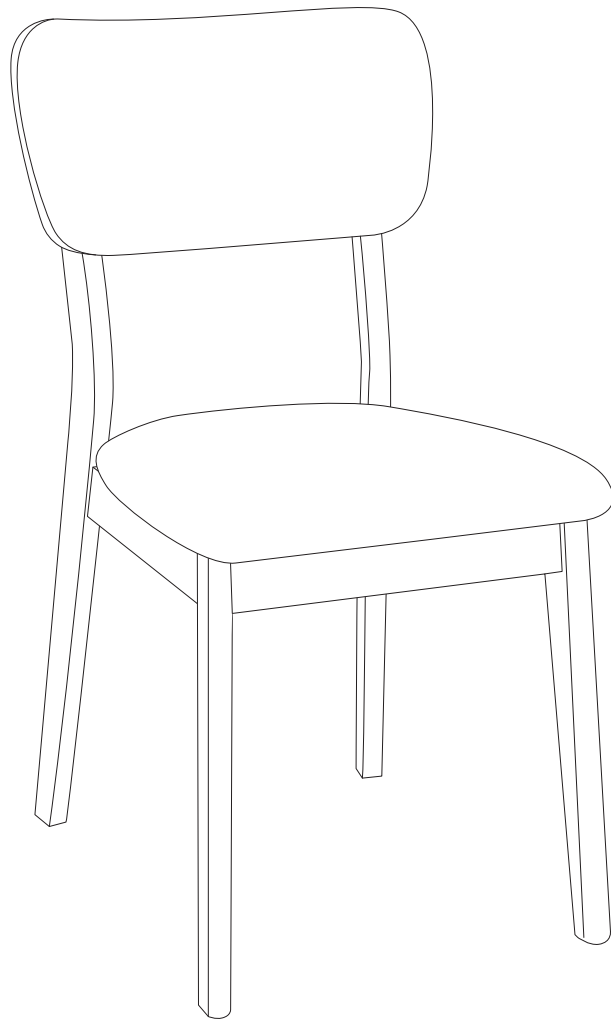
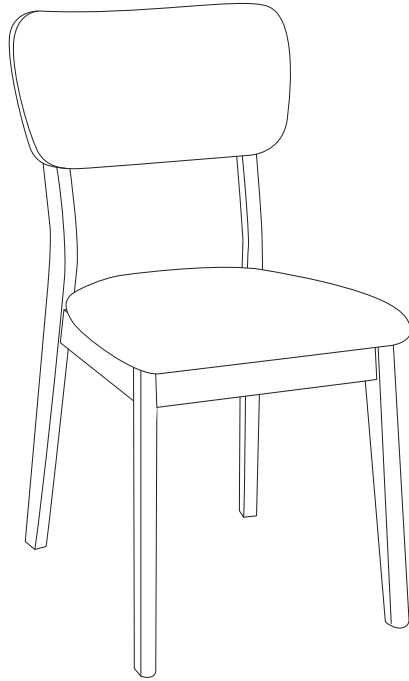


MINER


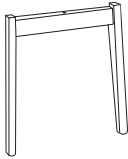
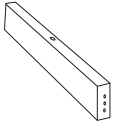
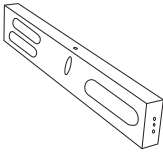



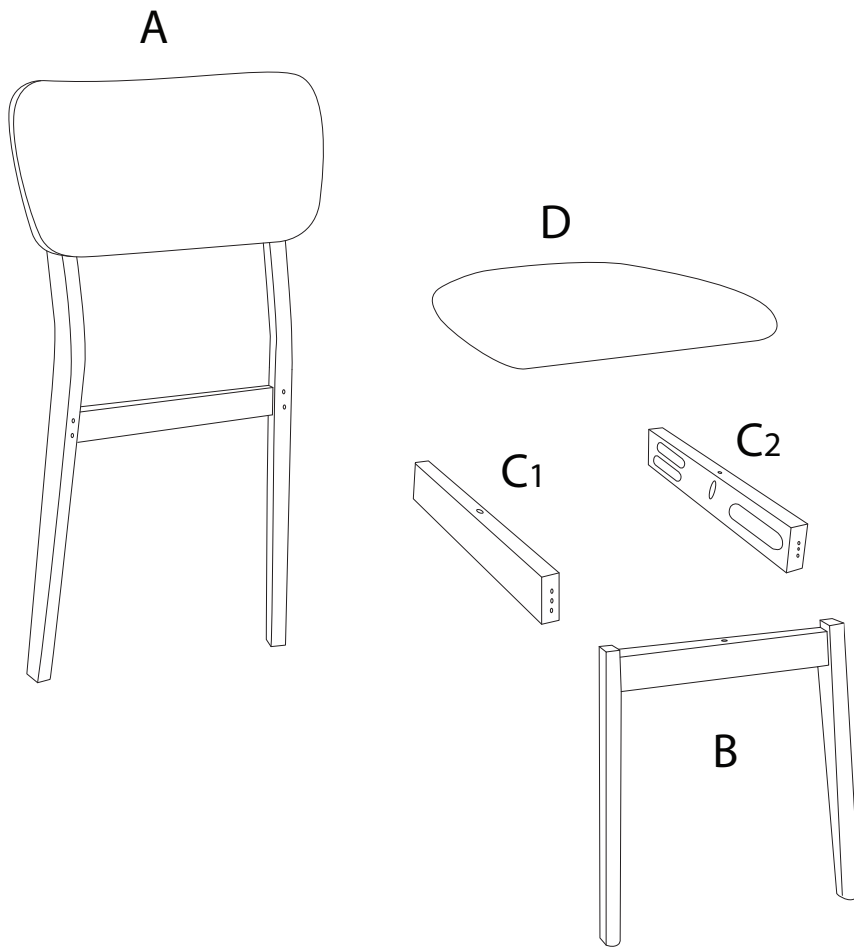


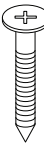
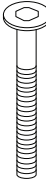
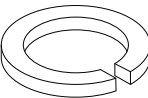
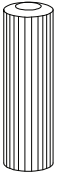
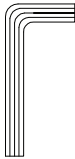
30'

2

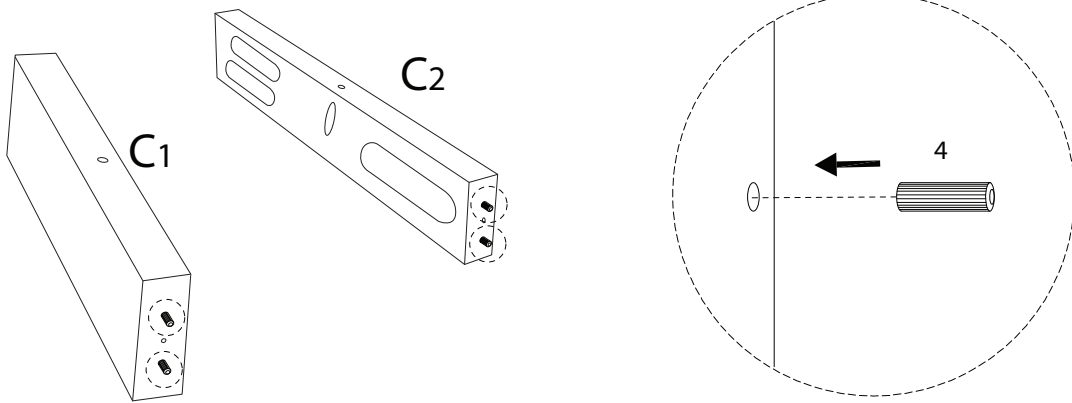
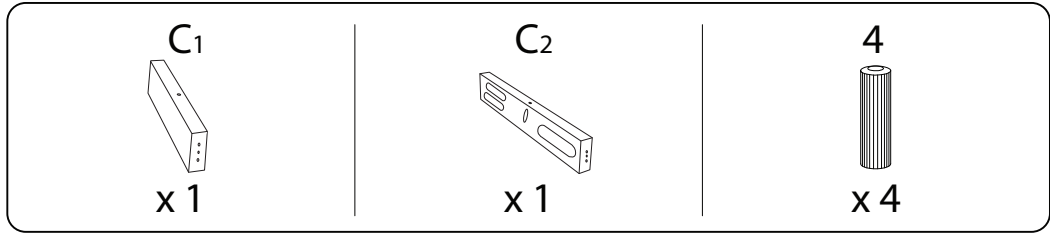
1/4

A	B	C1	C2	D
				
x 1	x 1	x 1	x 1	x 1

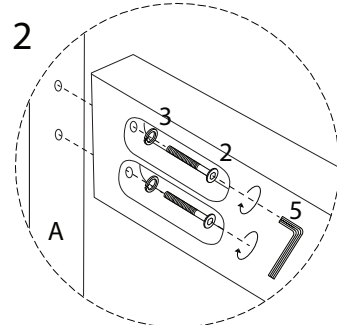
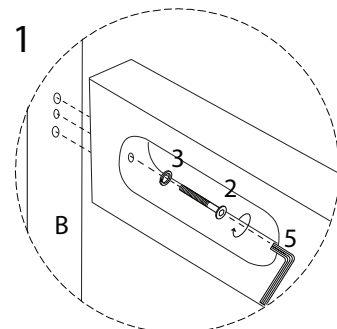
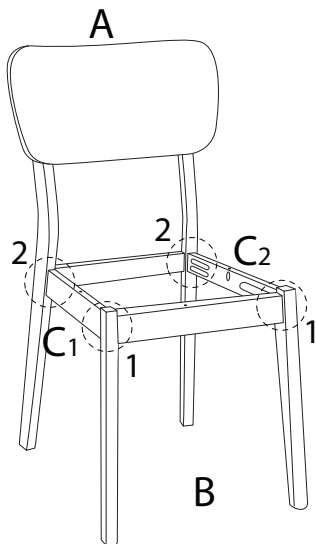
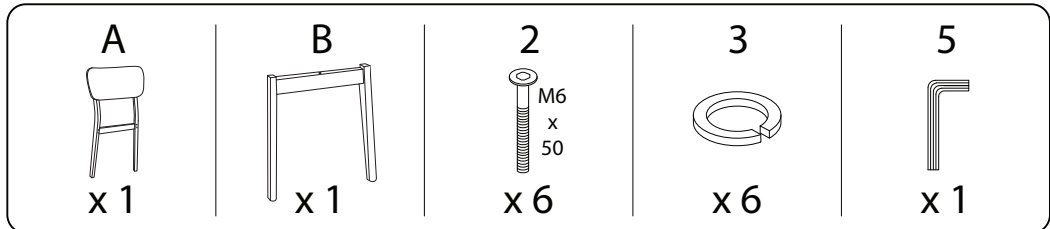


1	2	3	4	5
 M4 x 30	 M6 x 50			
x 3	x 6	x 6	x 4	x 1



1



2



3

<p>D</p>  <p>x 1</p>	<p>1</p>  <p>x 3</p>
---	---

