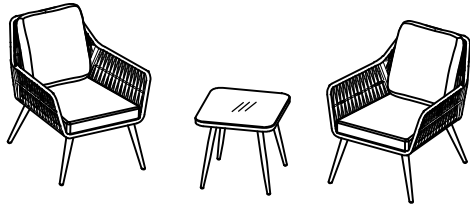
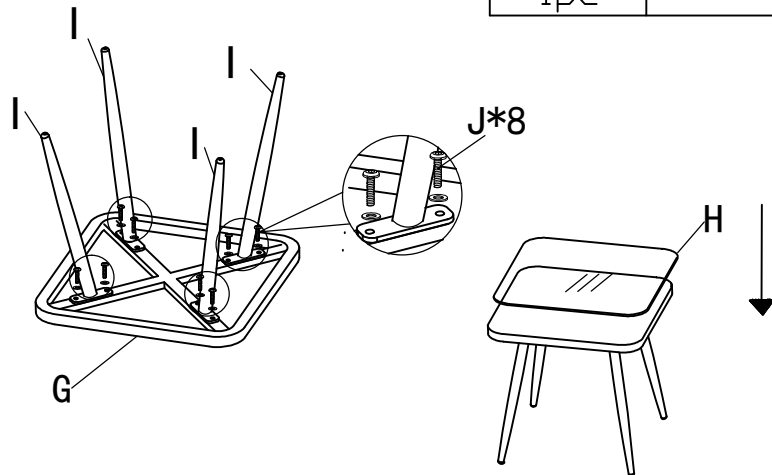


Assembly Instruction



G 1pc		H 1pc	
I 4pcs		J 8pcs	
		L 1pc	



A 2pcs		E 2pcs	
F 4pcs	 ø35*315	C 2pcs	
D 4pcs	 ø35*305	K 24pcs	
		L 1pc	

