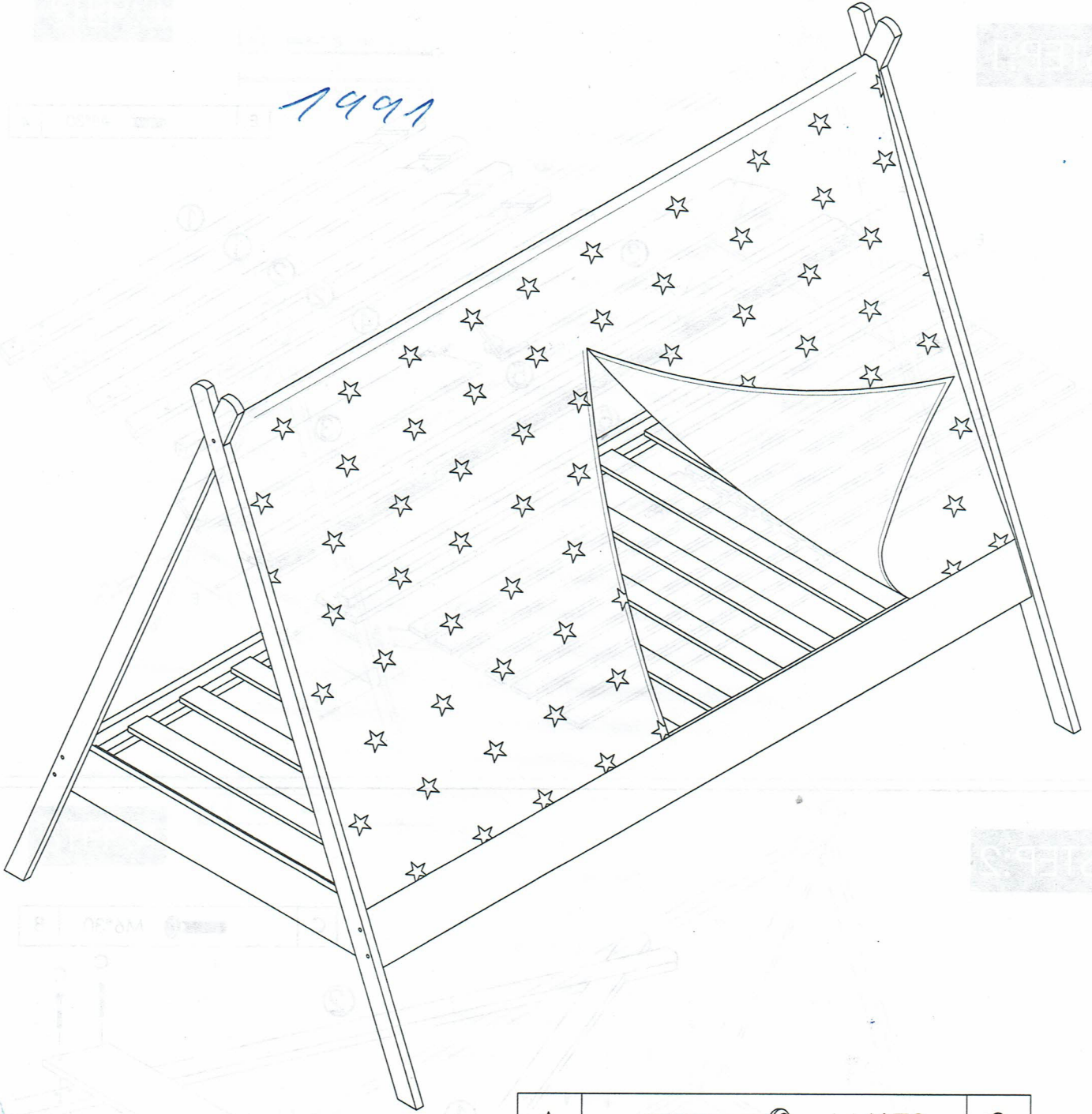







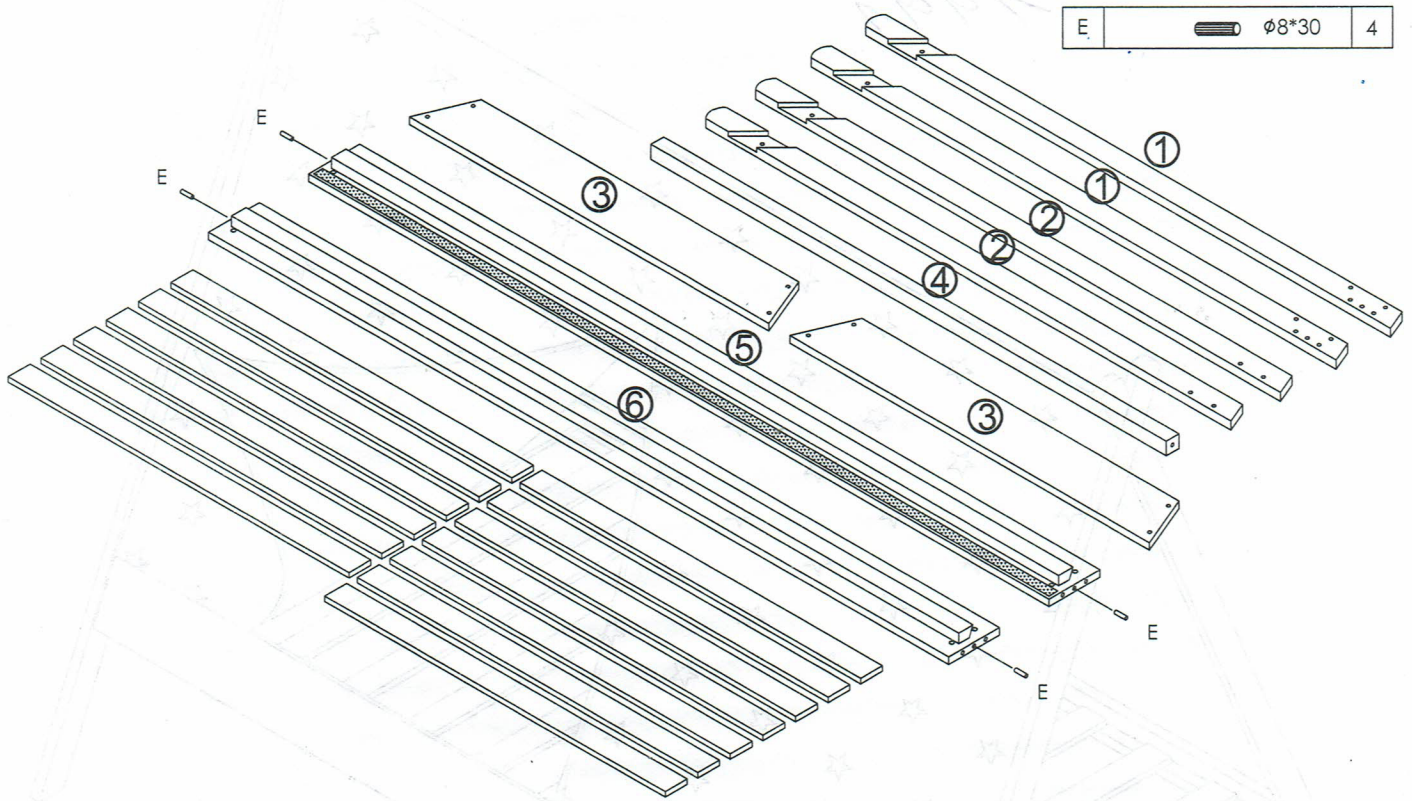


1991

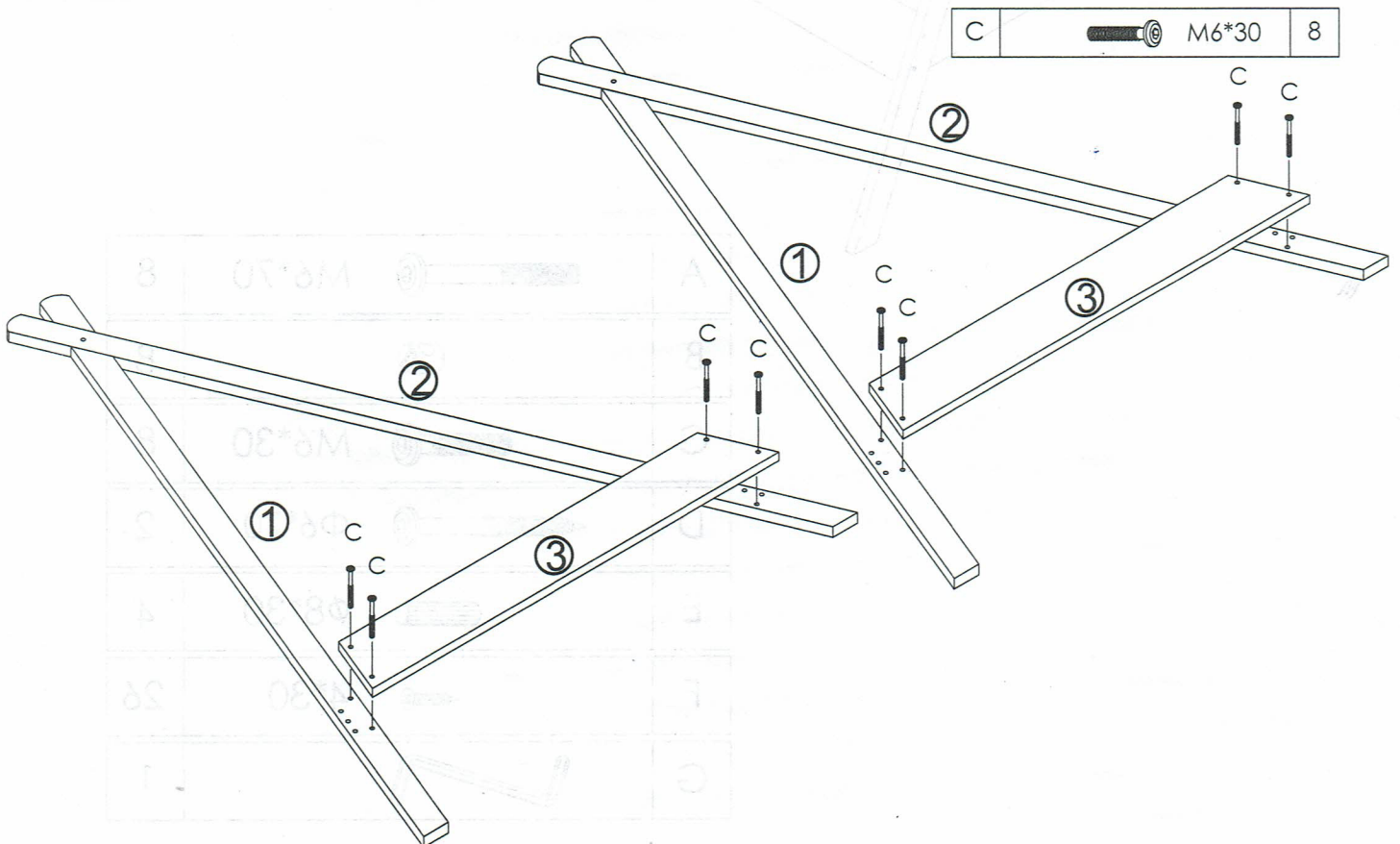


A		M6*70	8
B			8
C		M6*30	8
D		Φ6*70	2
E		Φ8*30	4
F		4*30	26
G			1

# STEP:1






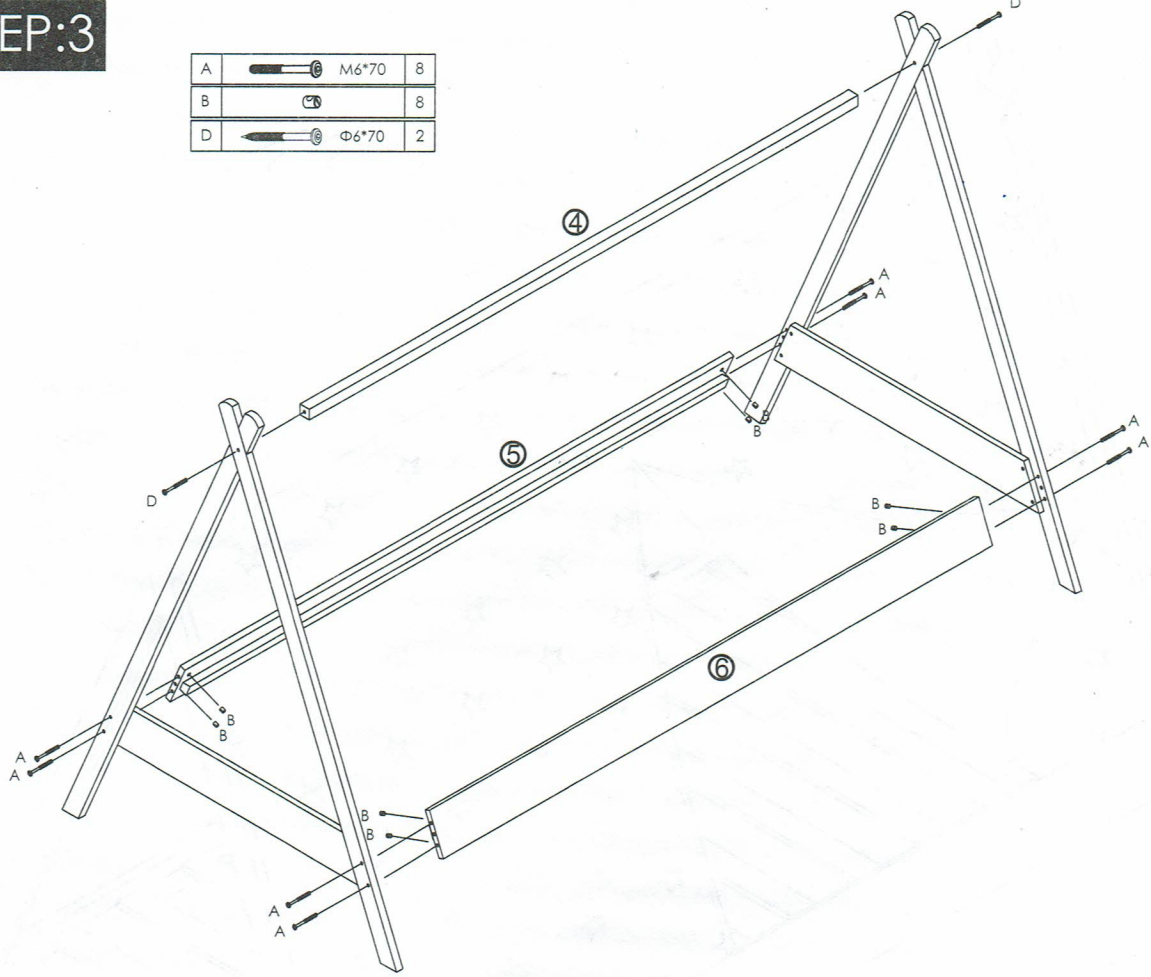
# STEP:2





# STEP:3

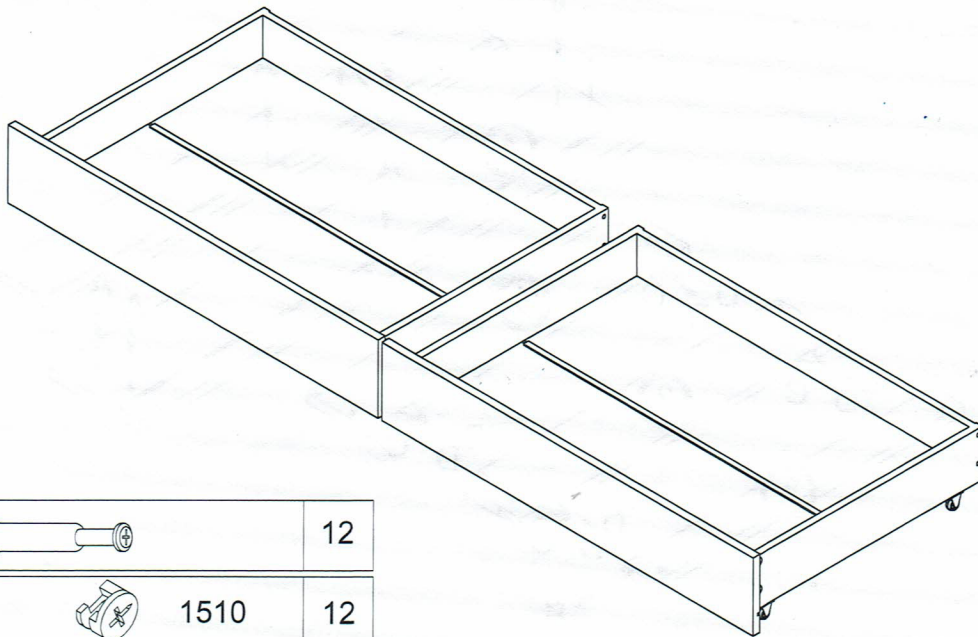
A		M6*70	8
B			8
D		Φ6*70	2











# STEP:4

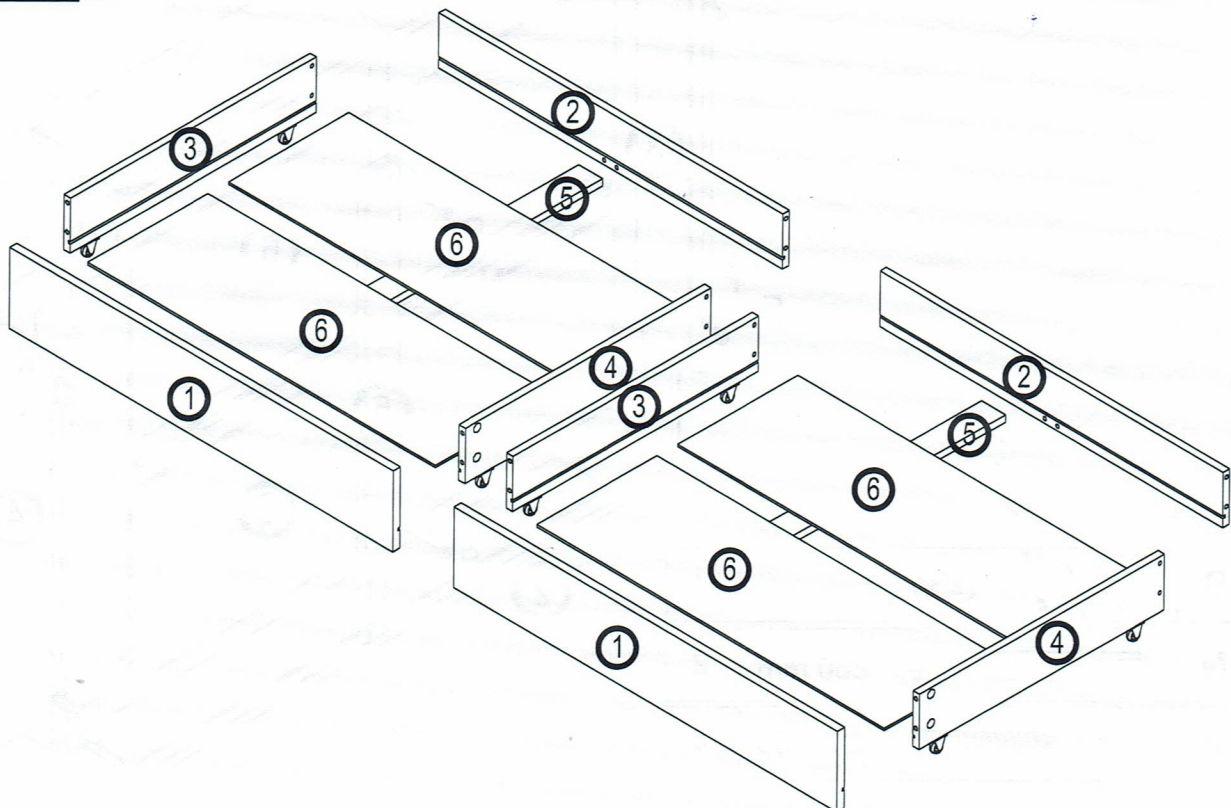
F		4*30	26
---	---	------	----





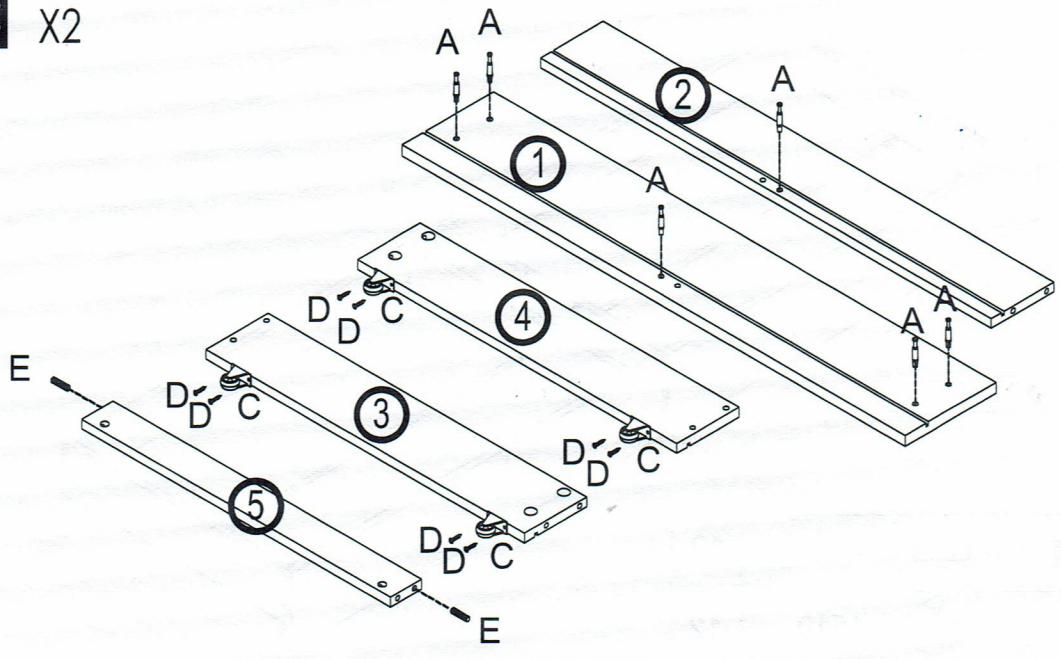
A			12
B		1510	12
C		35 mm	8
D		3 x 16	16
E		Ø8 x 30	4
F		Ø7 x 50	8
N		860 mm	2
J		4 mm	1

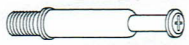



## STEP:1



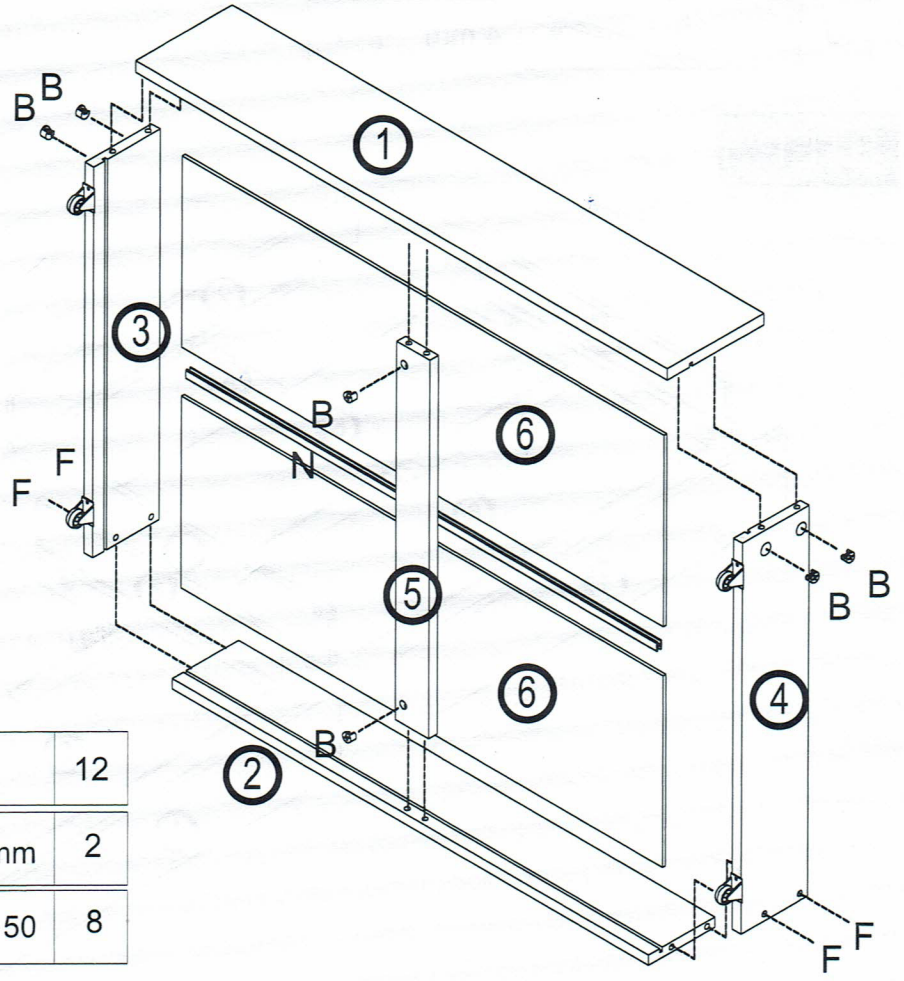





**STEP:2** X2



A		12
C	 35 mm	8
D	 3 x 16	16
E	 Ø8 x 30	4

**STEP:3** X2



B		12
N	 860 mm	2
F	 Ø7 x 50	8