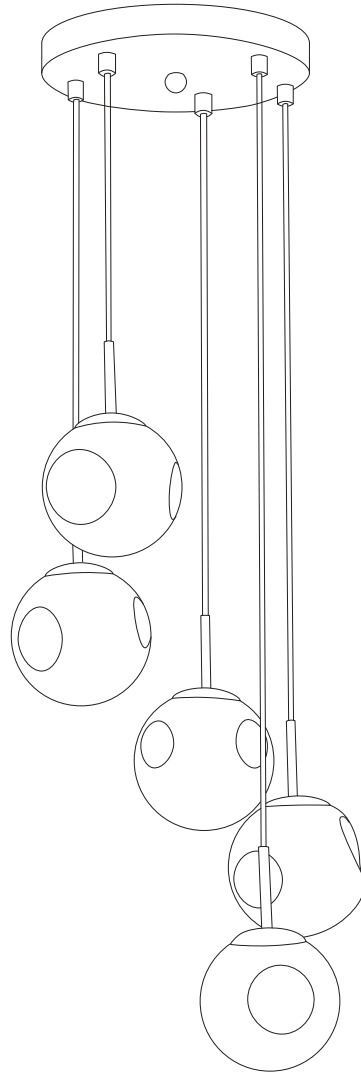
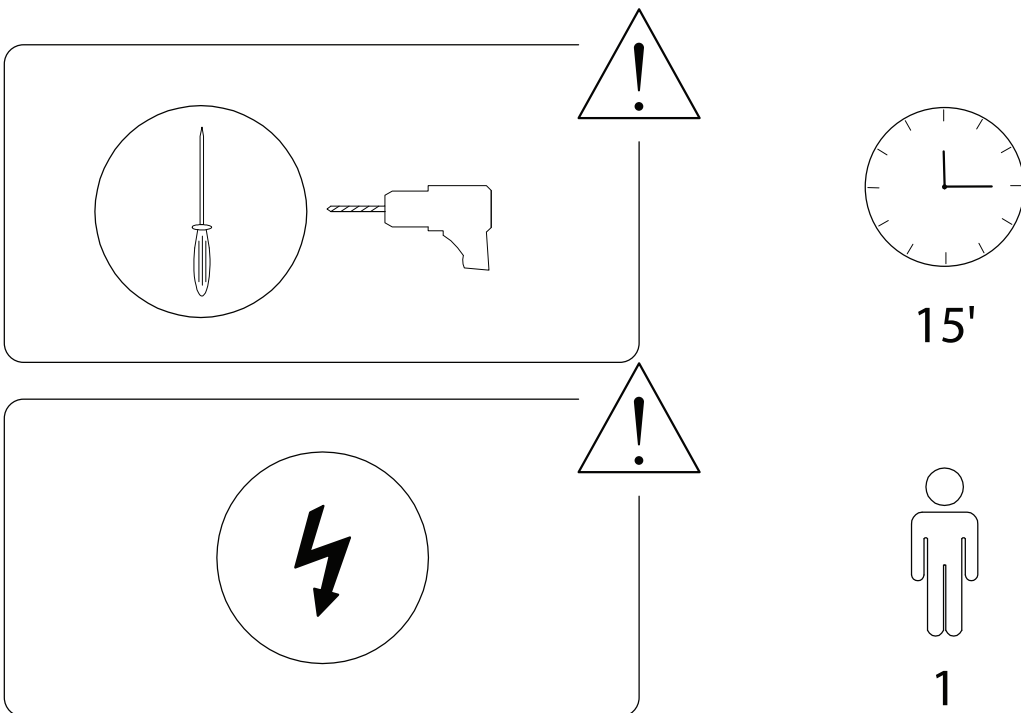
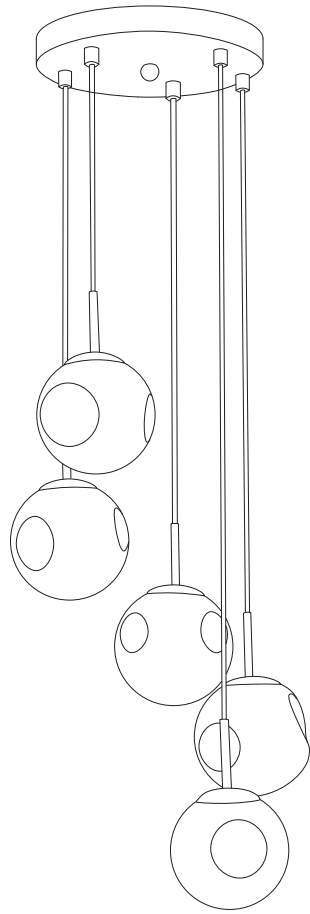
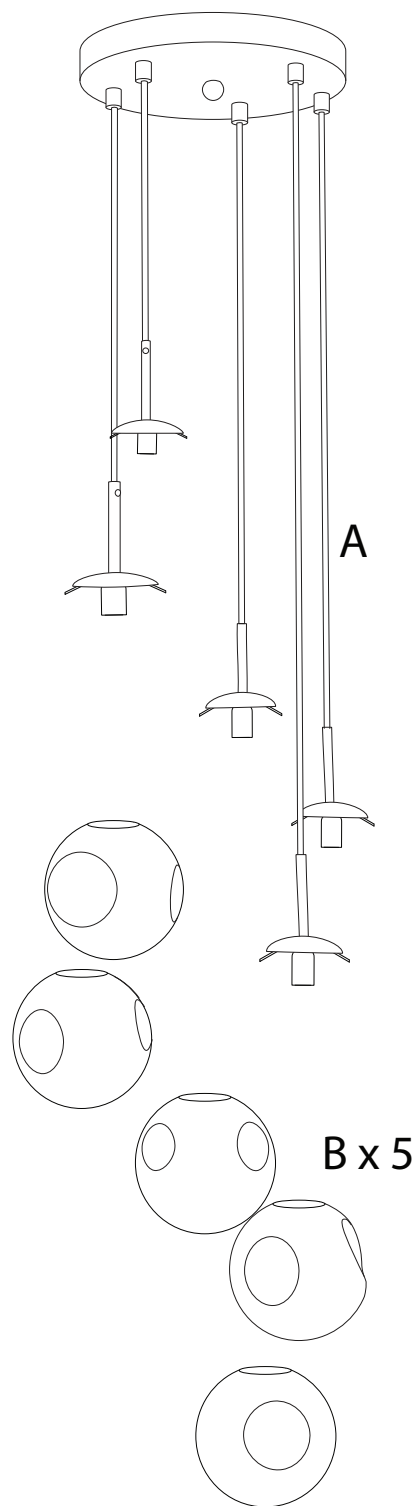


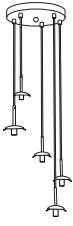
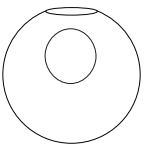
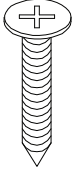
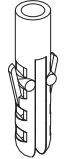
RALFES



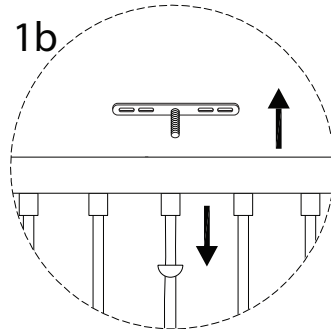
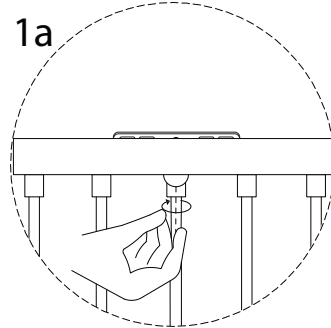
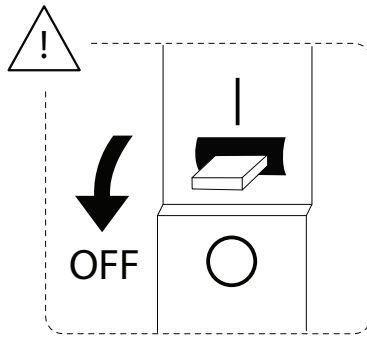
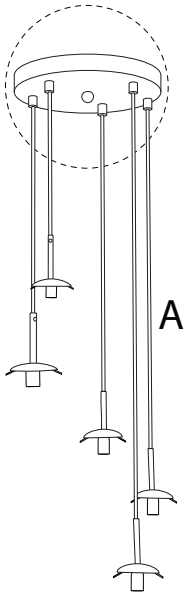
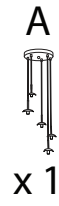


1/5

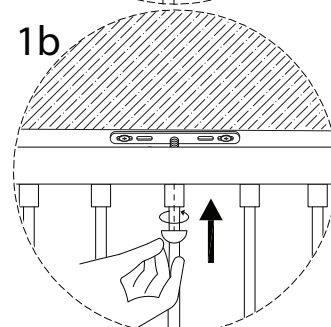
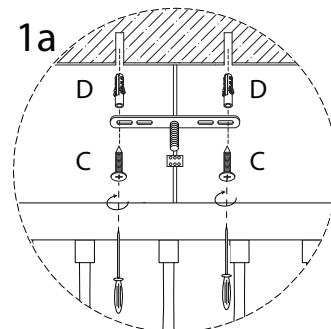
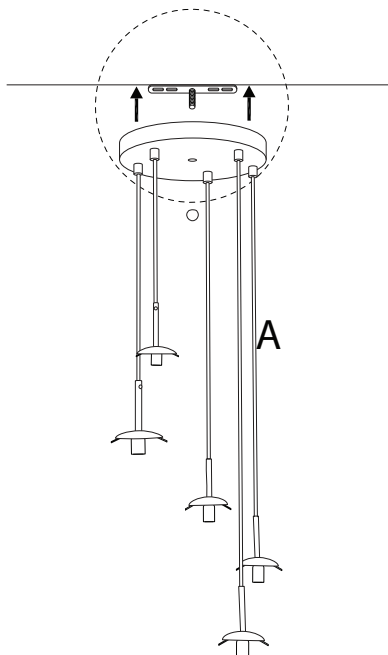
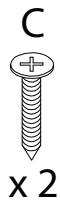


<p>A</p>  <p>x 1</p>	<p>B</p>  <p>x 5</p>	<p>C</p>  <p>x 2</p>	<p>D</p>  <p>x 2</p>
---	---	---	---

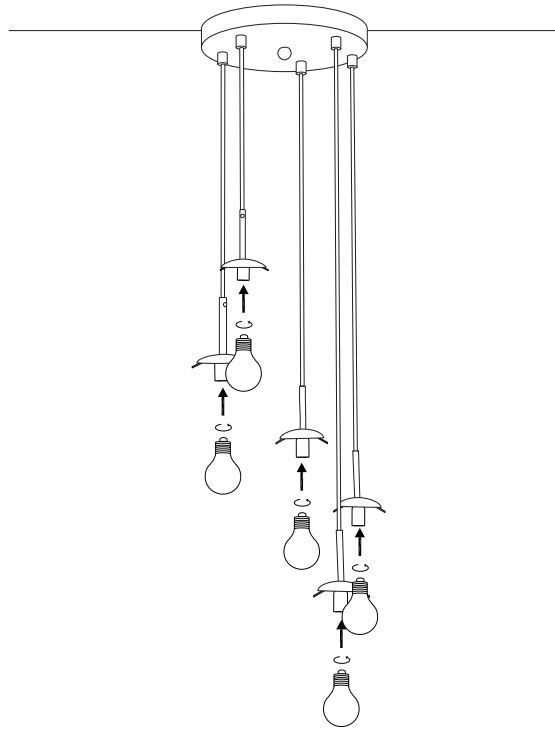
1



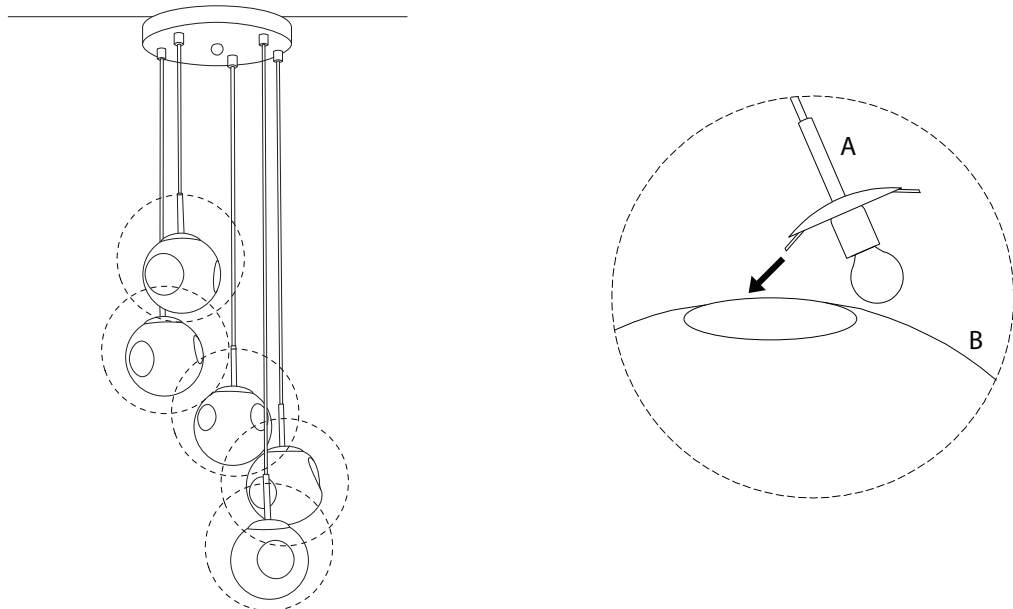
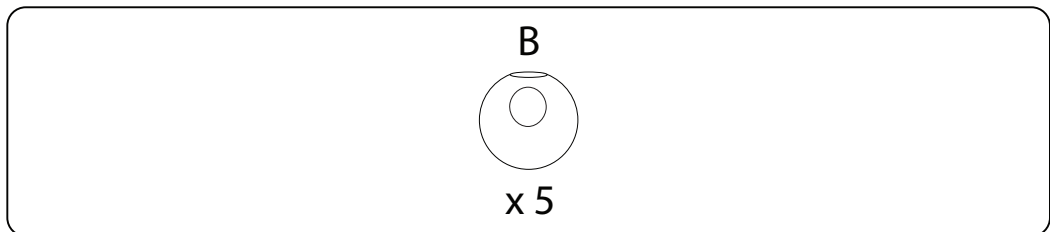
2



3



4



!

