

ASSEMBLY INSTRUCTION

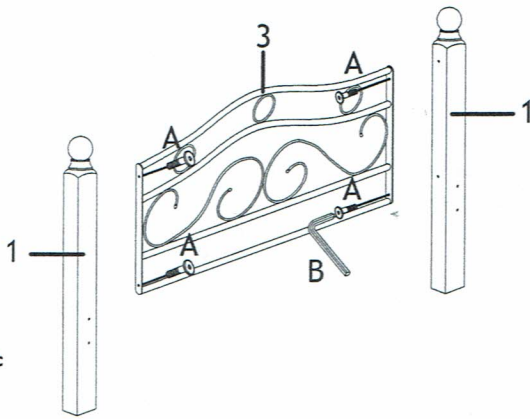
MODEL : HOME 803 SINGLE BED

Before you begin, please follow Assembly Instruction carefully. Follow them step by step.

STEP 1

(A) M6 X 20MM JCBC SCREW - 4 PCS

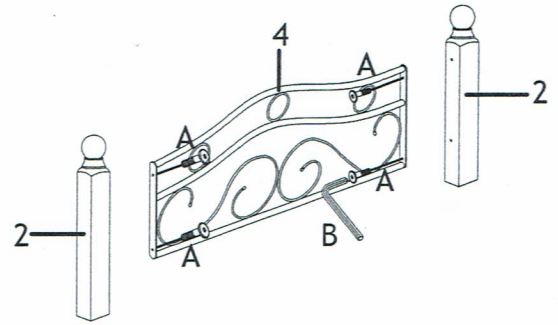
(B) M4 ALLEN KEY - 1 PC



STEP 2

(A) M6 X 20MM JCBC SCREW - 4 PCS

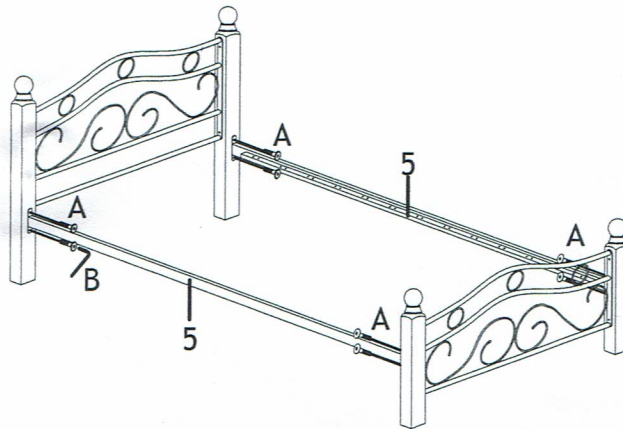
(B) M4 ALLEN KEY - 1 PC



STEP 3

(A) M6 X 20MM JCBC SCREW - 8 PCS

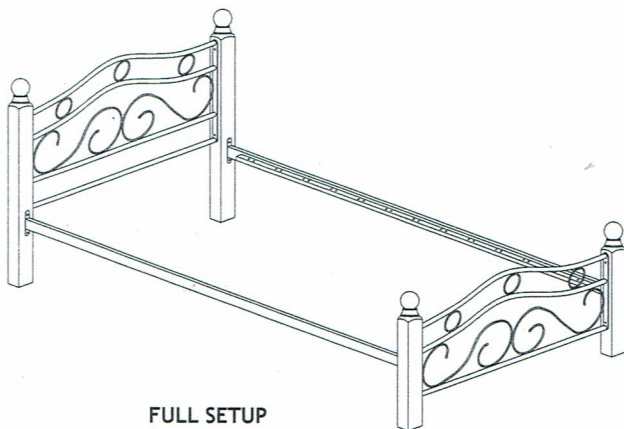
(B) M4 ALLEN KEY - 1 PC



ASSEMBLY INSTRUCTION

MODEL : HOME 803 SINGLE BED

Before you begin, please follow Assembly Instruction carefully. Follow them step by step.



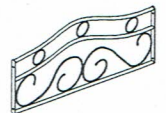
FULL SETUP

PART LIST

1) HEAD POST X 2 PCS



4) FOOTBOARD X 1 PC



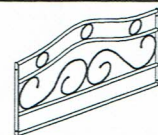
2) FOOT POST X 2 PCS



5) METAL SIDE RAIL (WITH 26 HOLES) X 2 PCS



3) HEADBOARD X 1 PC



HARDWARE LIST

(A) M6 X 20MM JCBC SCREW - 16 PCS

(B) M4 ALLEN KEY - 1 PC

