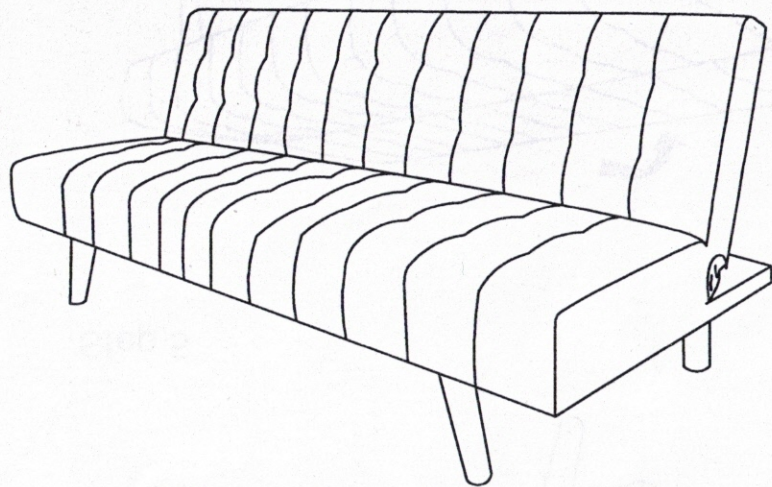


# ASSEMBLY INSTRUCTION

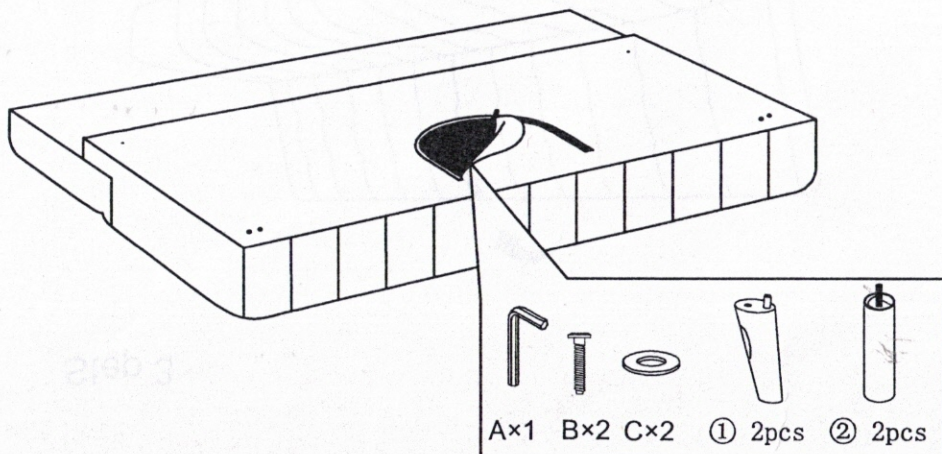
## MLM-501870-3



### ASSEMBLY INSTRUCTIONS

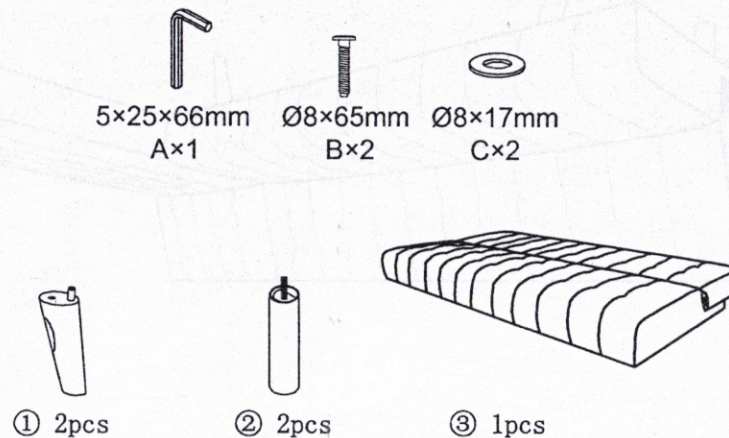


#### Step 1

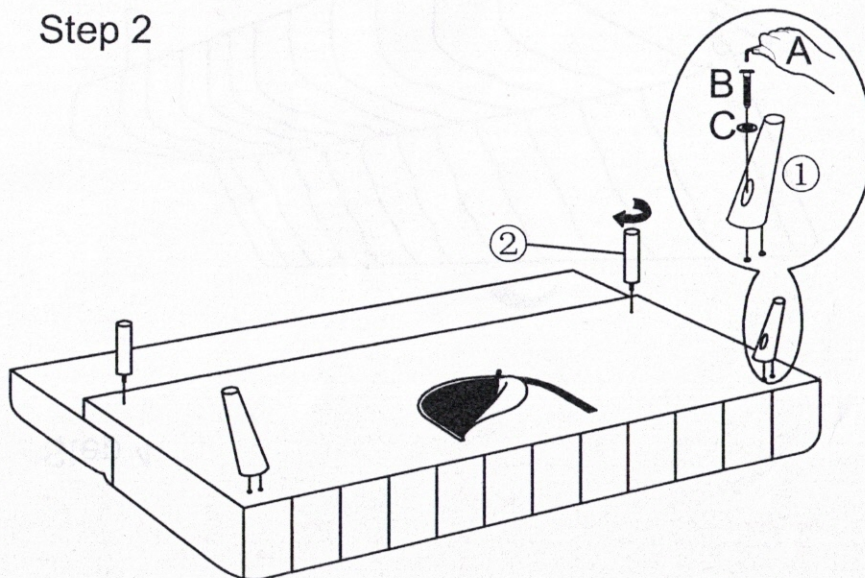


### PARTS AND HARDWARE

Note: Individual parts are not shown to scale.

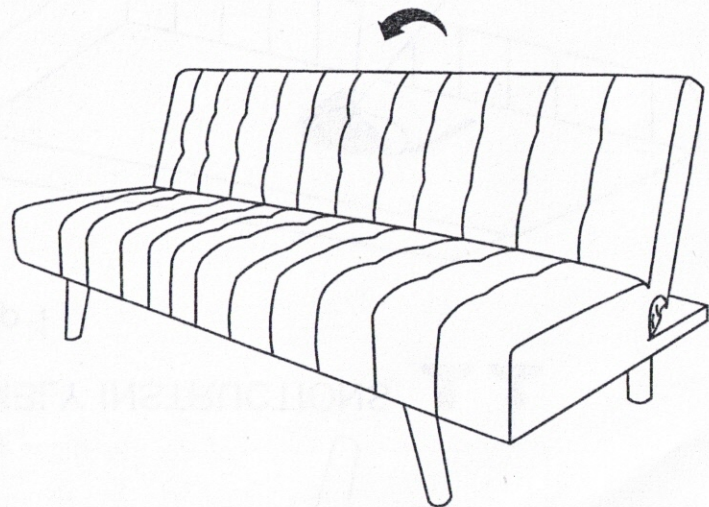


#### Step 2

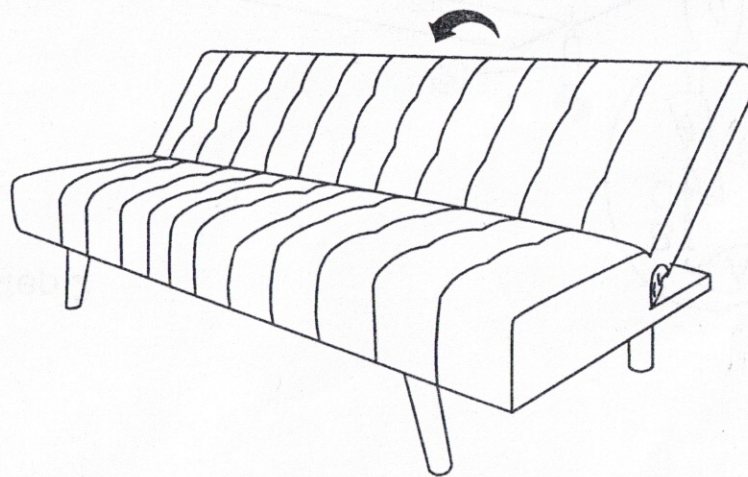


# OPERATING YOUR UNIT

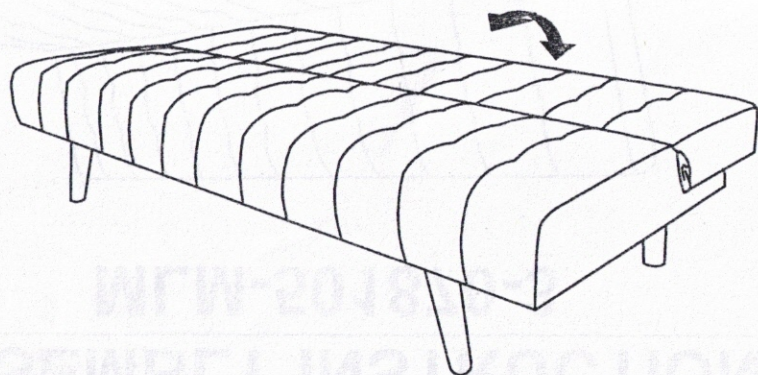
Step 3



Step 4



Step 5



Step 6

