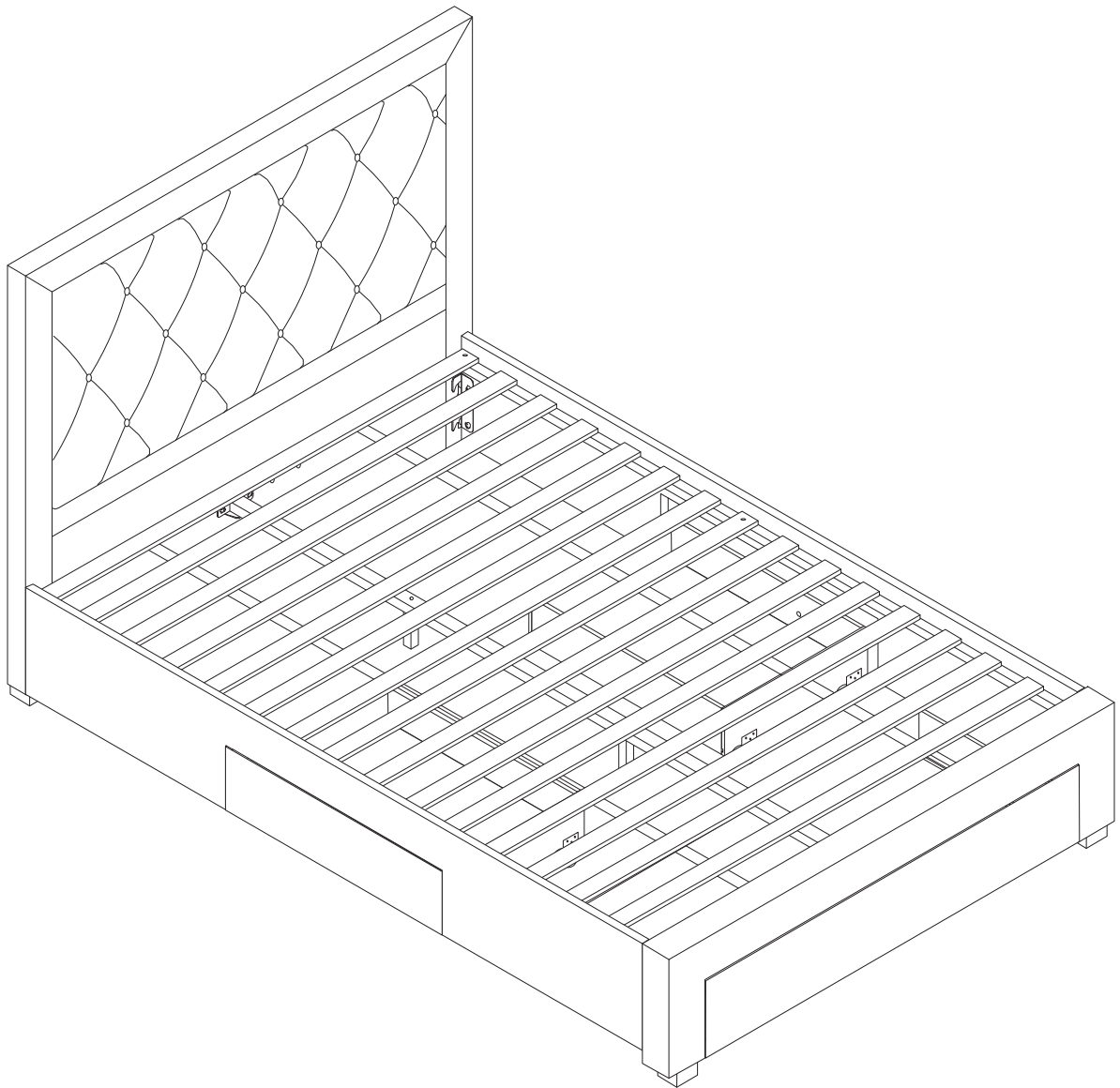
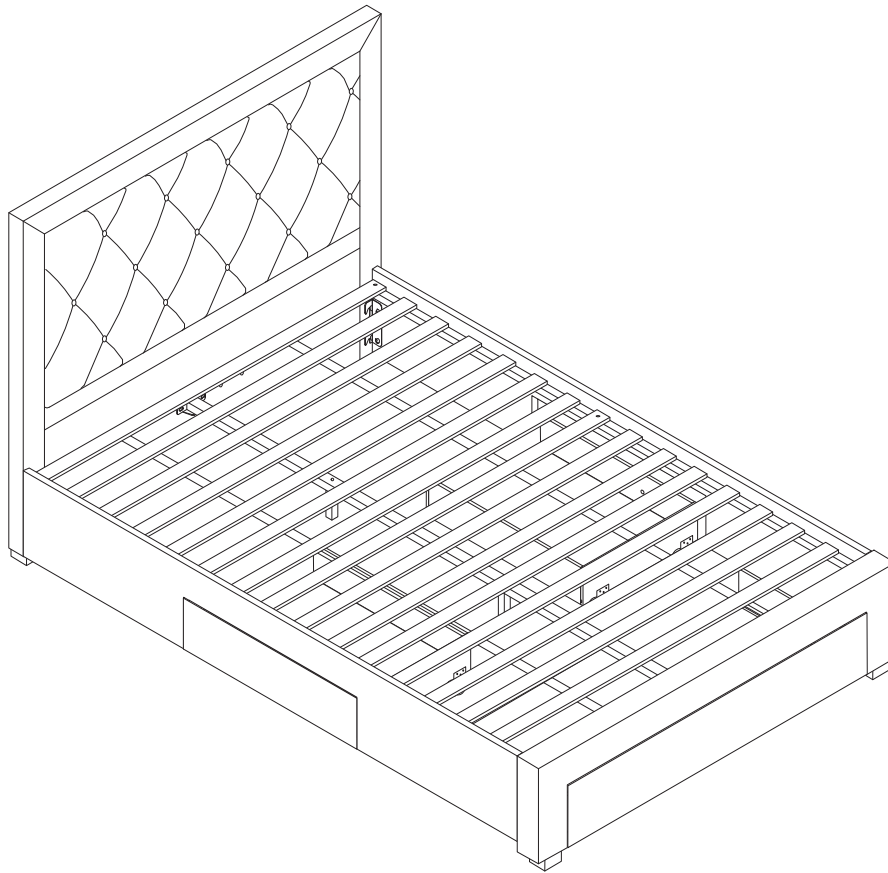


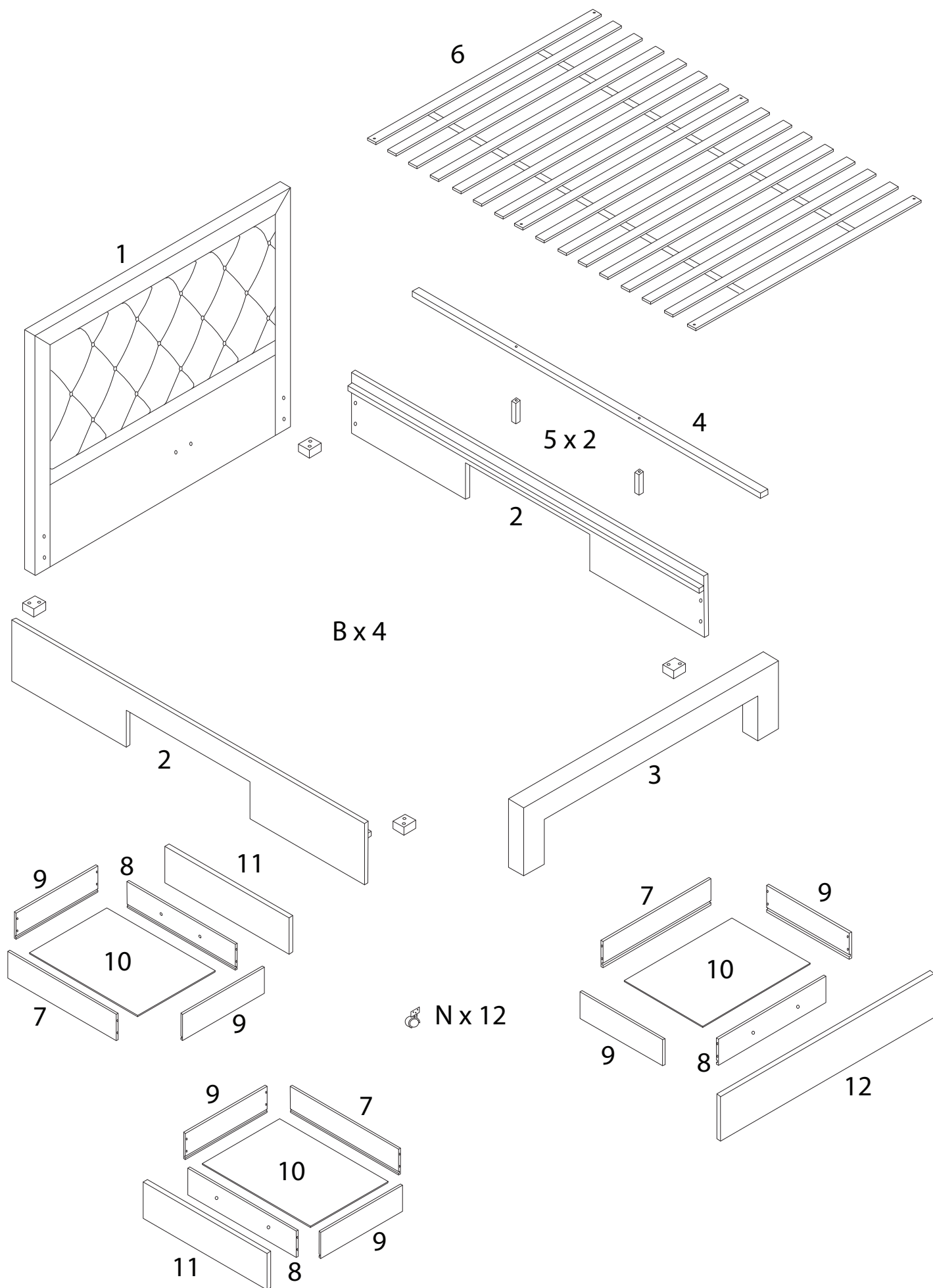
LIEVIN



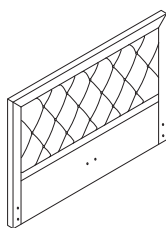


Assembly instructions for step 1/11:

- Tools:** A circular icon contains a screwdriver and an Allen key. A power drill is shown with a diagonal line through it, indicating it should not be used.
- Warning:** A triangle with an exclamation mark.
- Time:** A clock icon with the text "90'" below it, indicating a 90-minute assembly time.
- Personnel:** A person icon with the number "2" below it, indicating that two people are required for assembly.
- Diagram:** A circular icon shows a rectangular block being placed on a surface. A second diagram shows the block being secured with a screw from underneath, with a diagonal line through the screw indicating it should not be over-tightened.

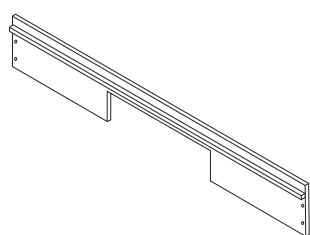


1



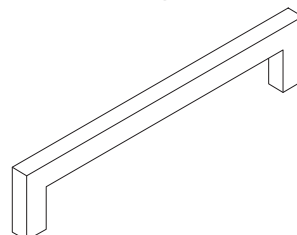
x 1

2



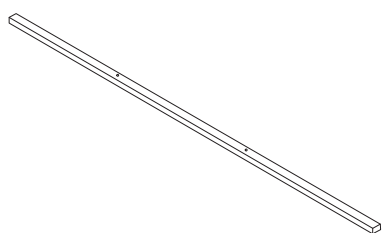
x 2

3



x 1

4



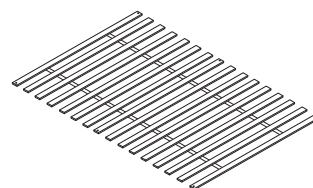
x 1

5



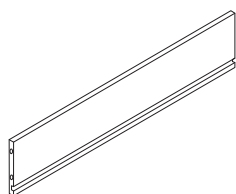
x 2

6



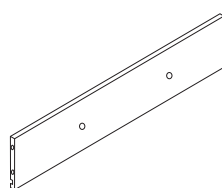
x 1

7



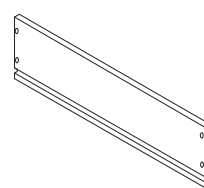
x 3

8



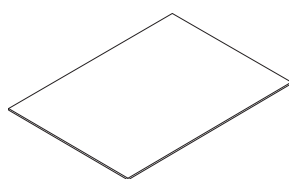
x 3

9



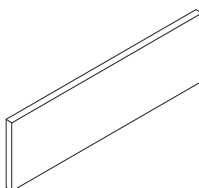
x 6

10



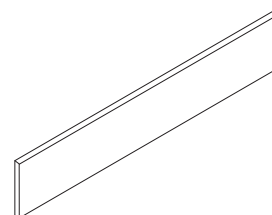
x 3

11

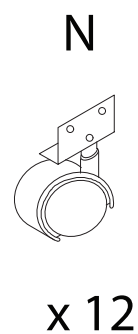
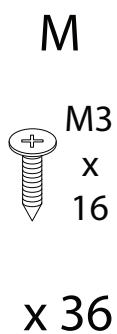
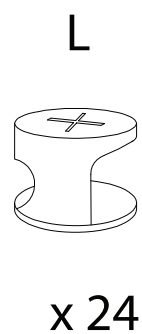
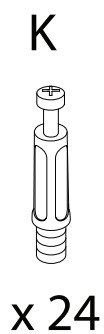
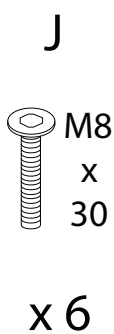
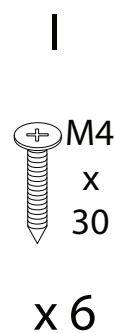
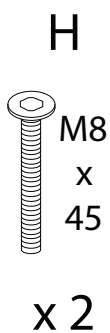
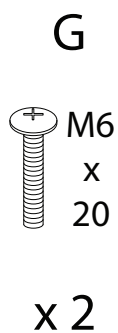
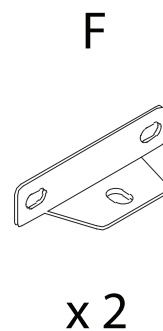
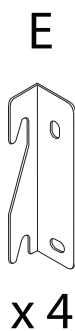
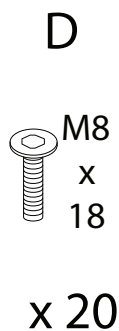
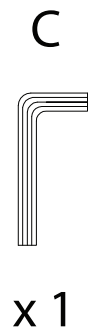
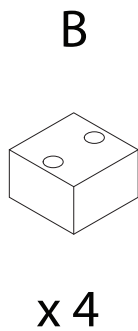
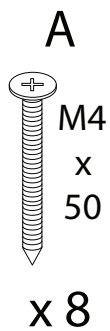


x 2

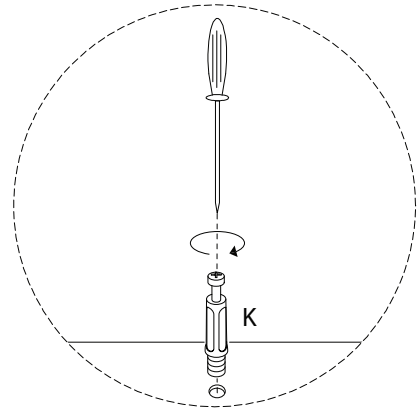
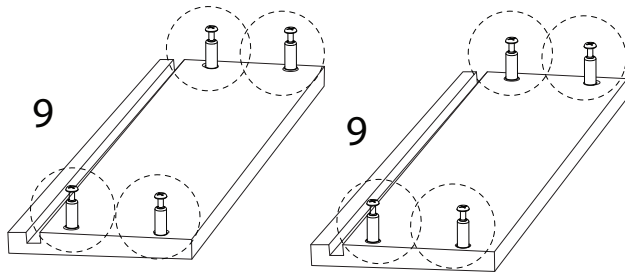
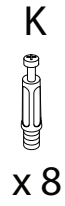
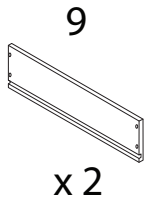
12



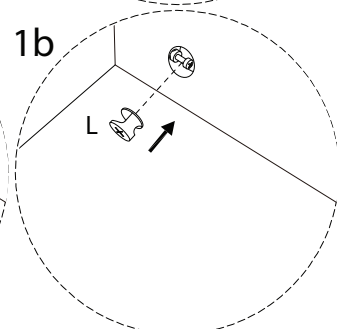
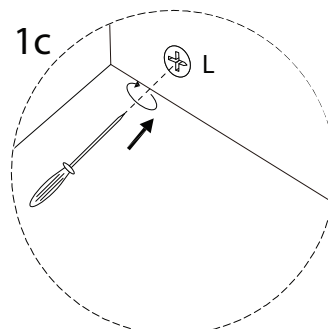
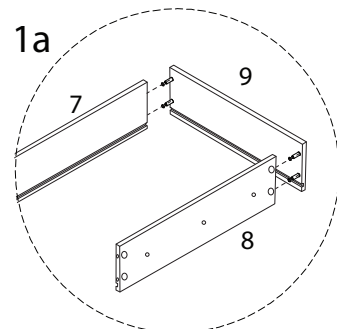
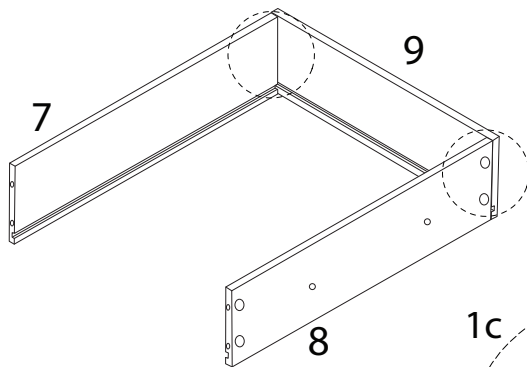
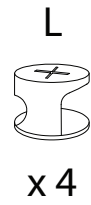
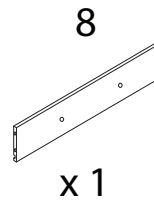
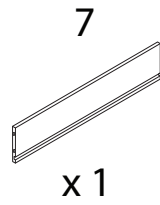
x 1



1 x 3

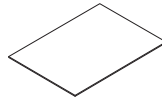


2 x 3

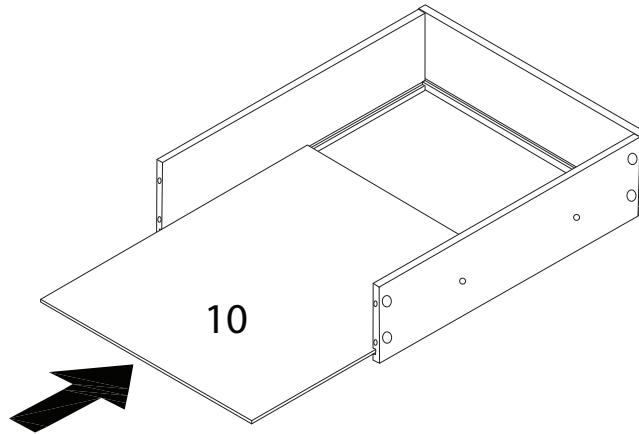


3 x 3

10



x 1

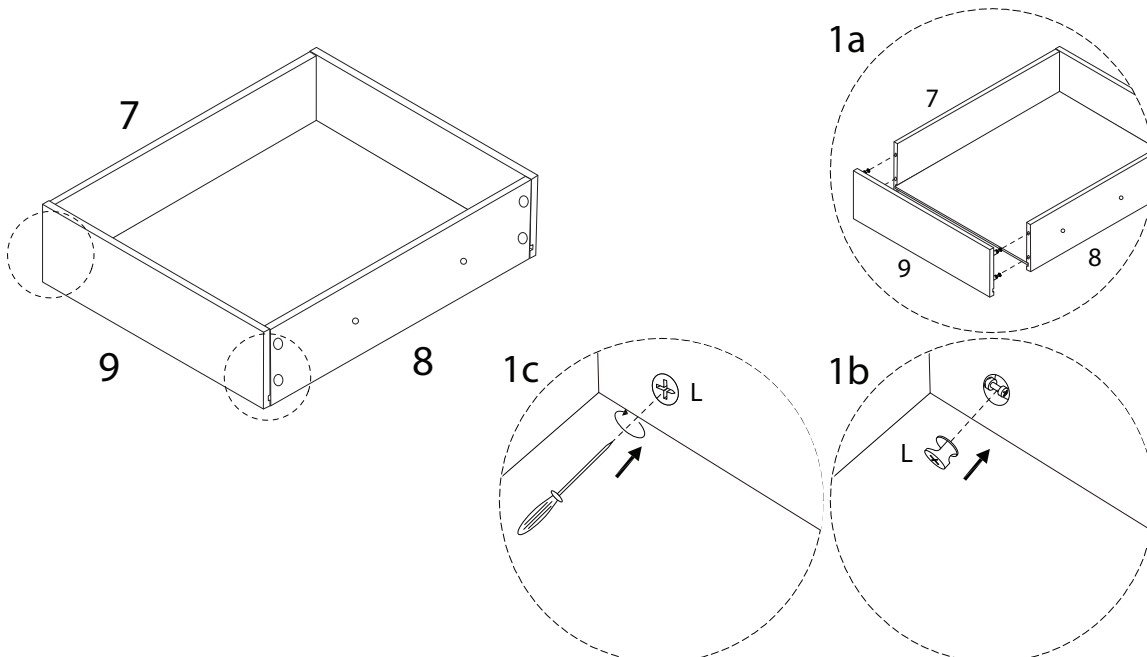


4 x 3

L

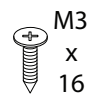


x 4



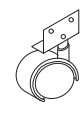
5 x 3

M

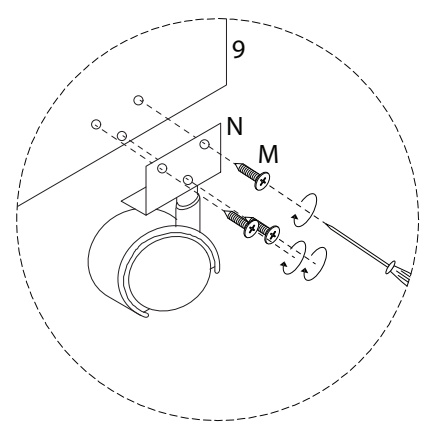
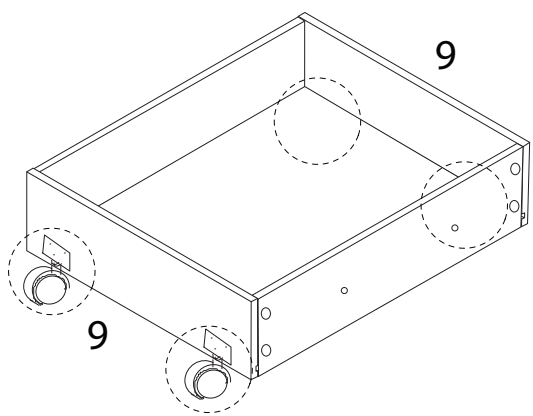


x 12

N

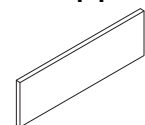


x 4



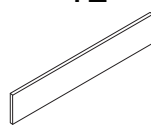
6

11



x 2

12



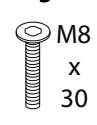
x 1

C

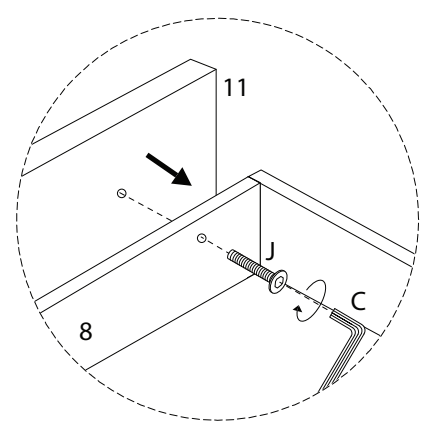
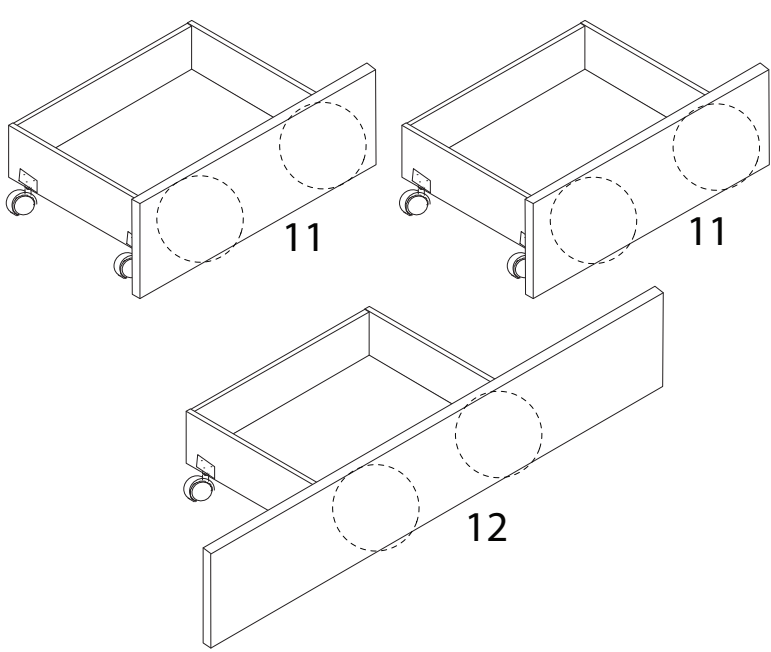


x 1

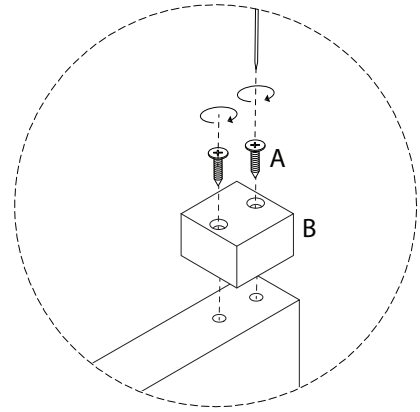
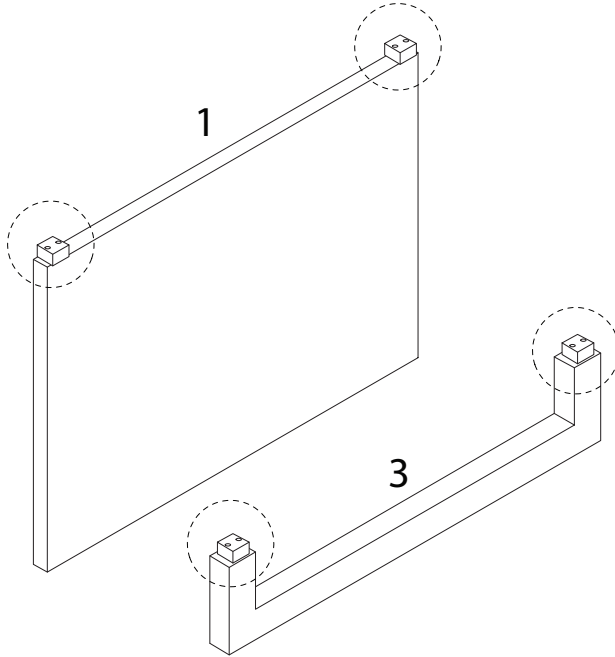
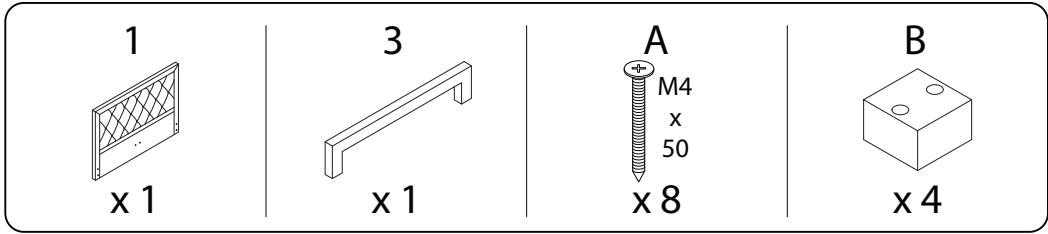
J



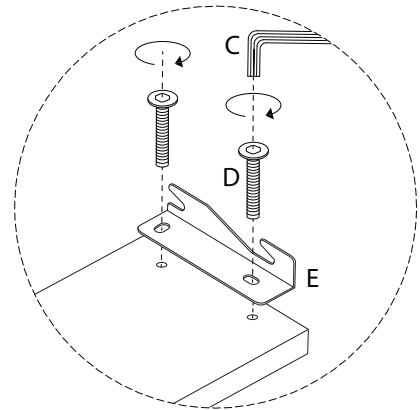
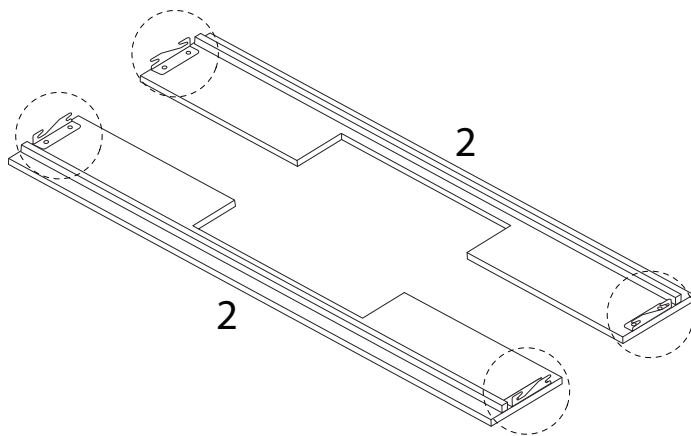
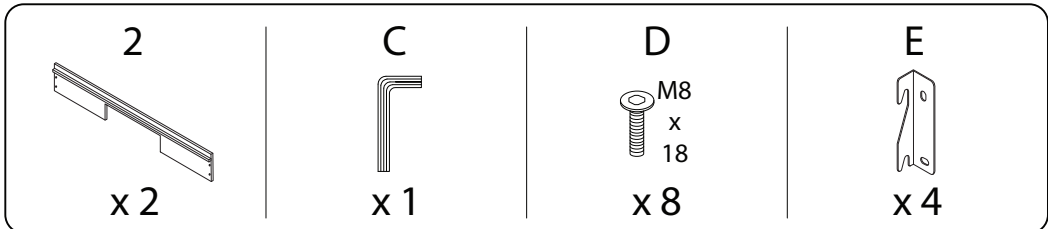
x 6



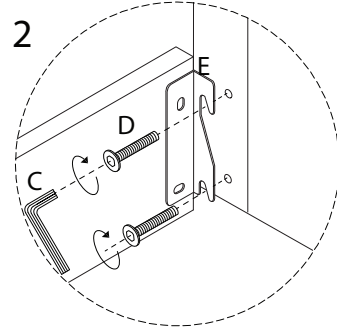
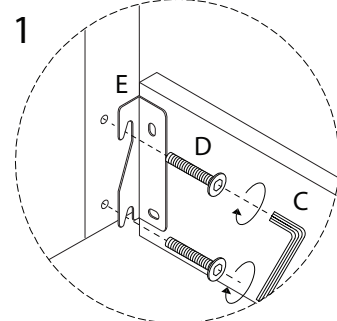
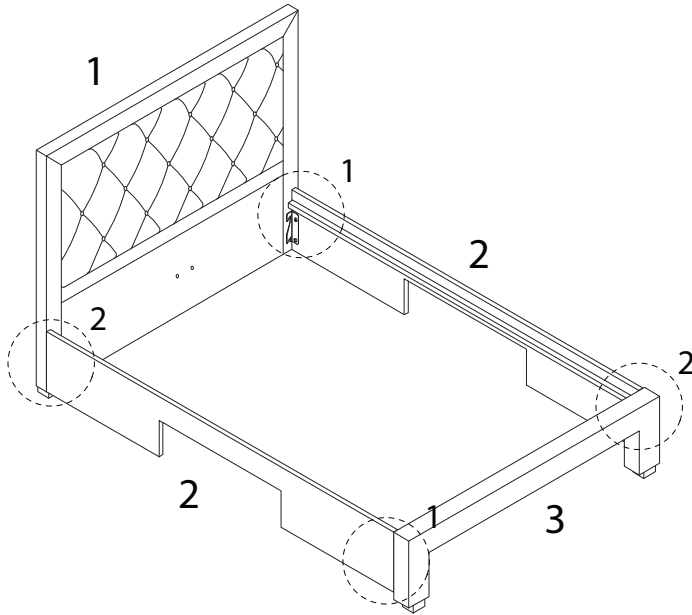
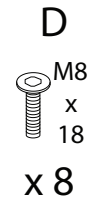
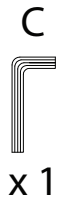
7



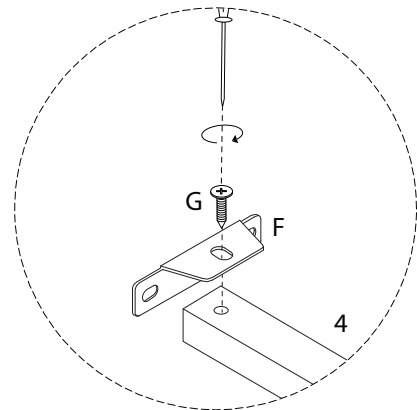
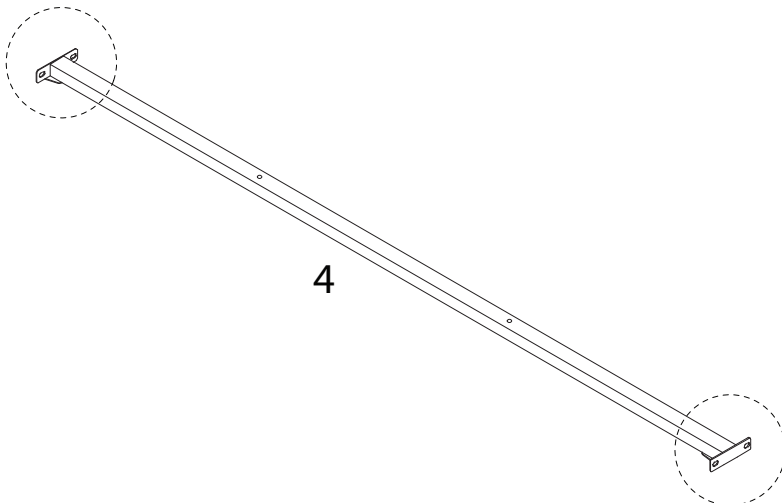
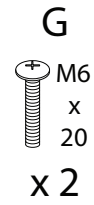
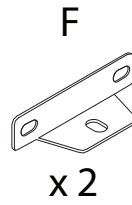
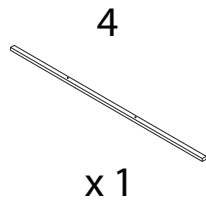
8



9



10



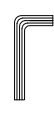
11

5



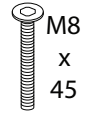
x2

C

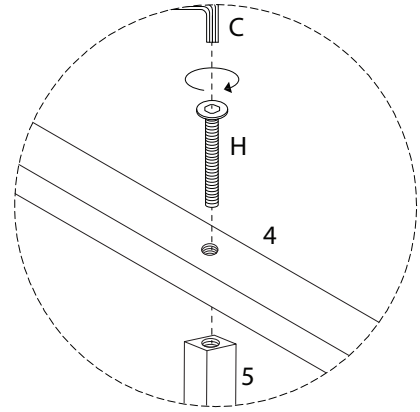
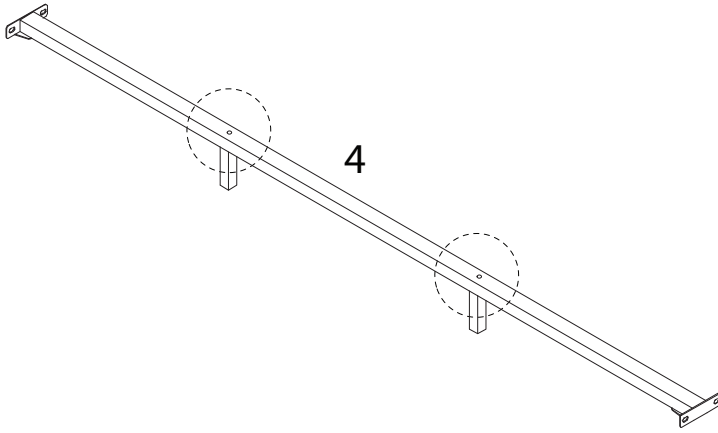


x1

H

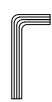


x2



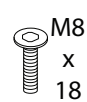
12

C

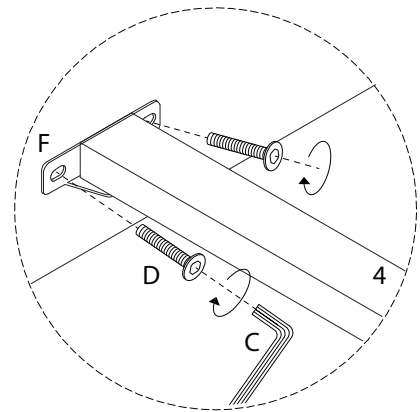
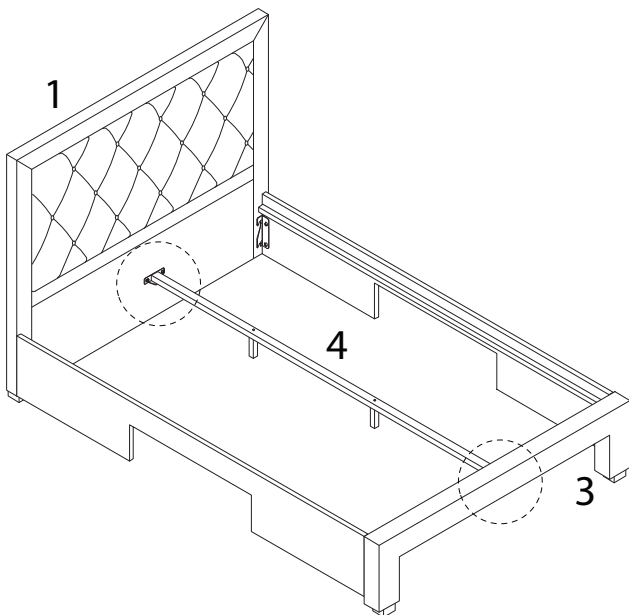


x1

D

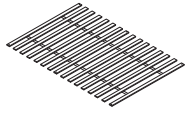


x4



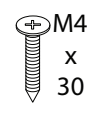
13

6

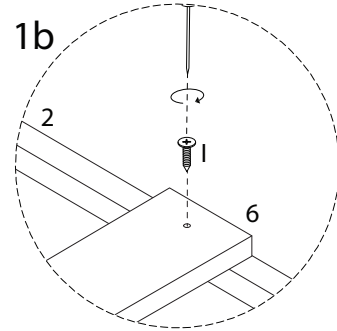
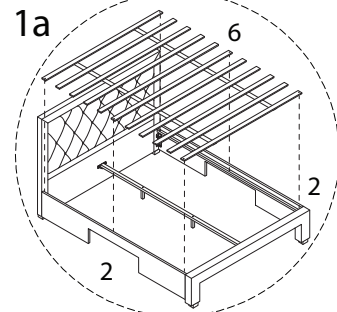
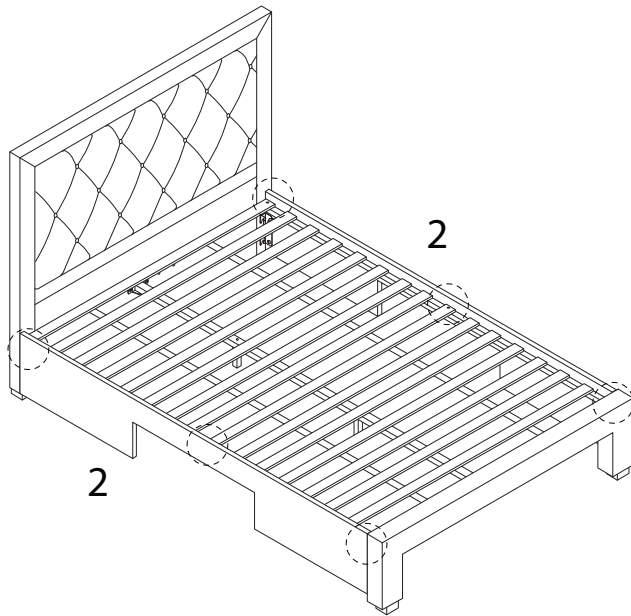


x 1

I



x 6



14

