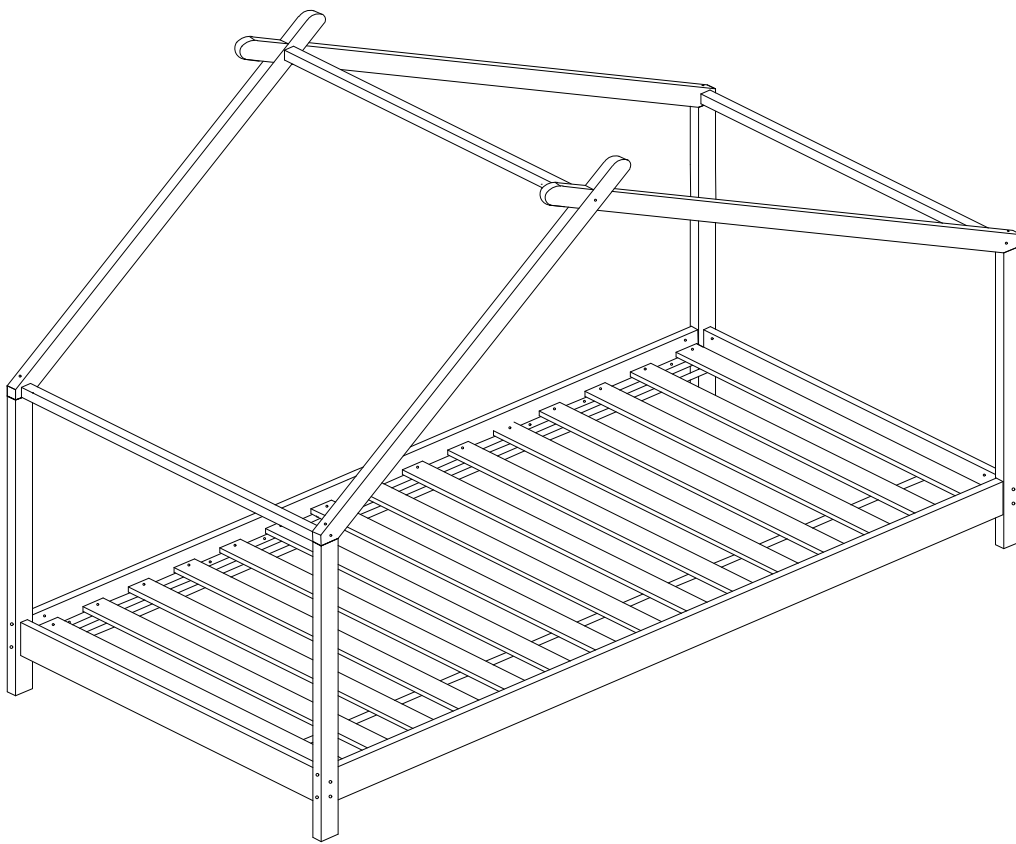
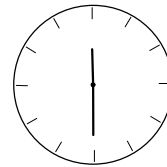
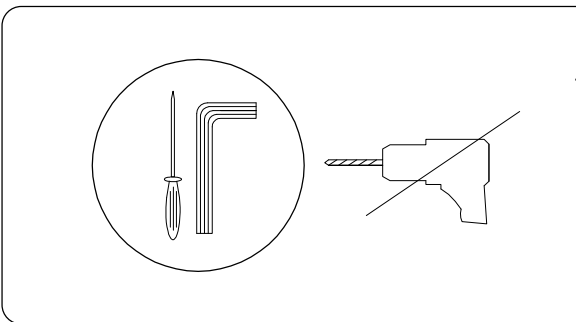
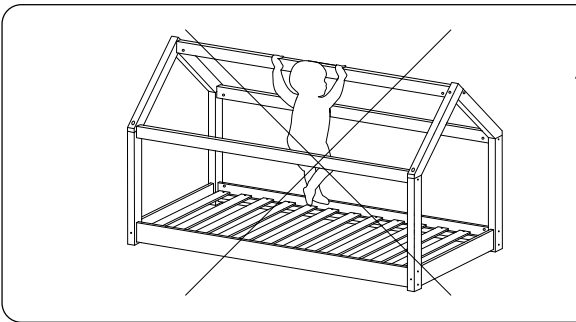
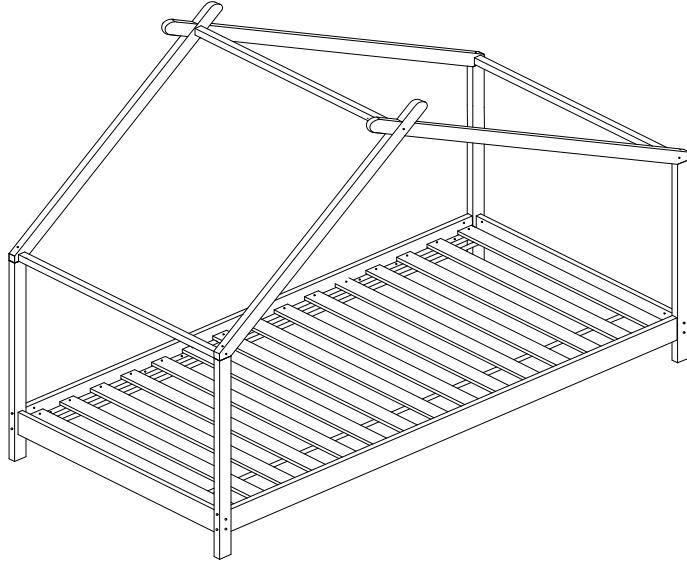
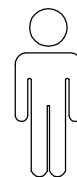
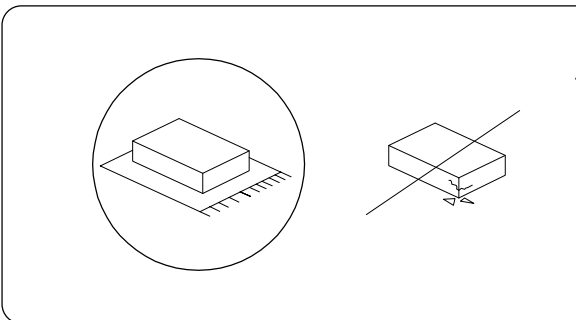


ORLU

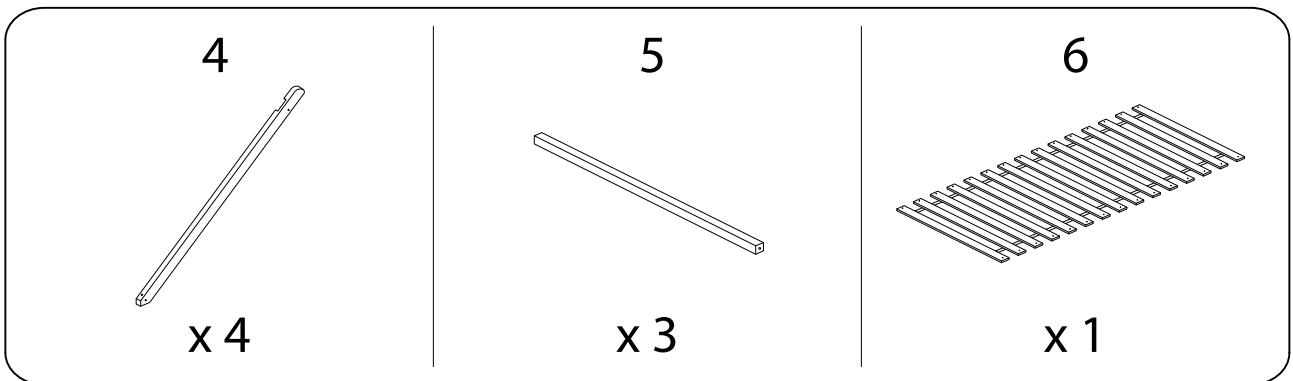
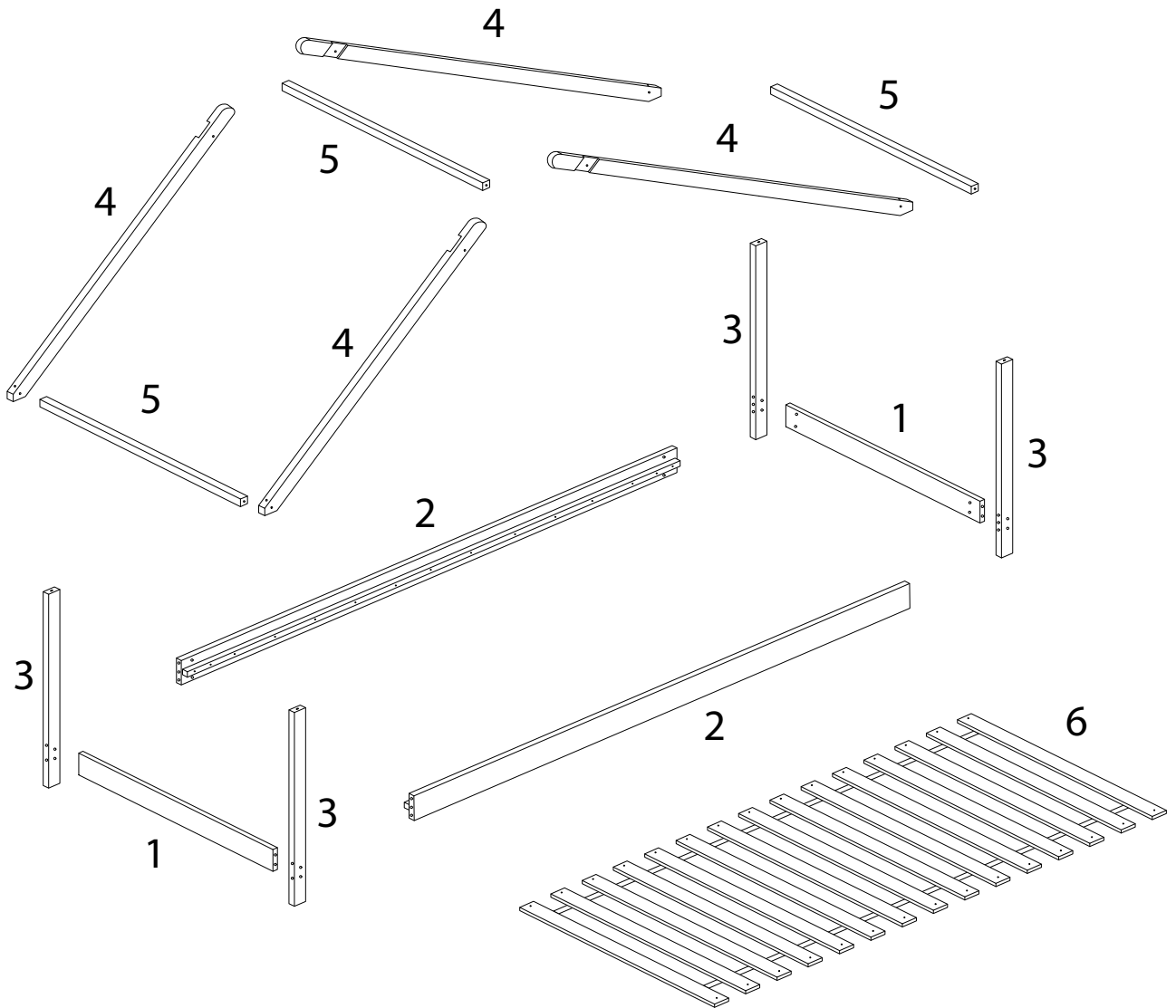
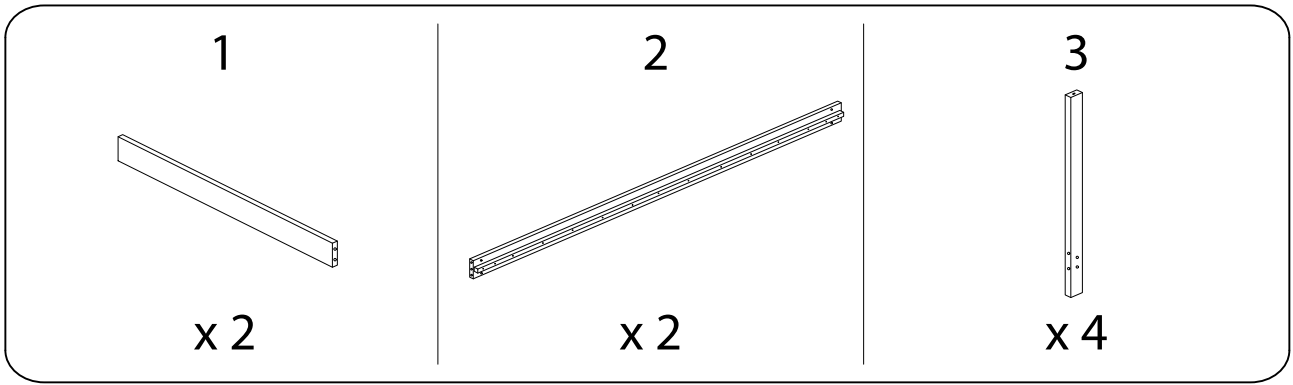




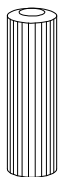
30'



2

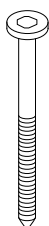


A



x 4

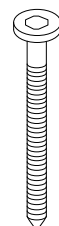
B



M4
x
90

x 8

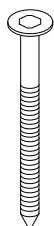
C



M4
x
65

x 8

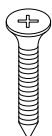
D



M5
x
70

x 10

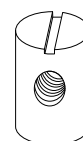
E



M4
x
25

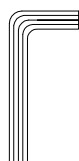
x 30

F



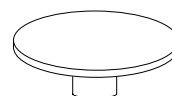
x 16

G



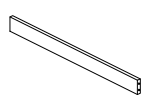

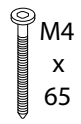


x 1

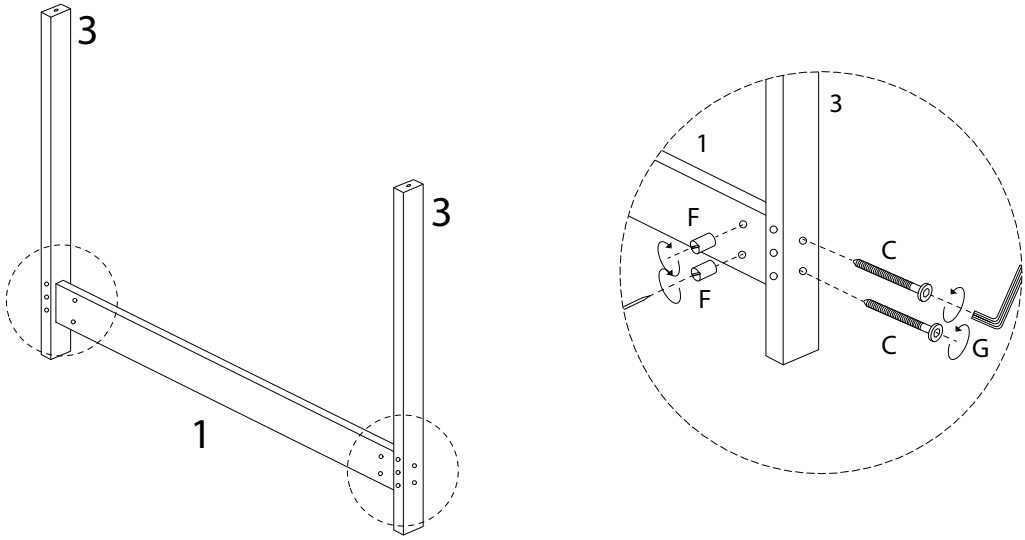
H



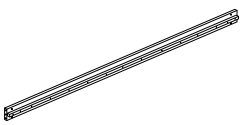
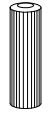
x 22

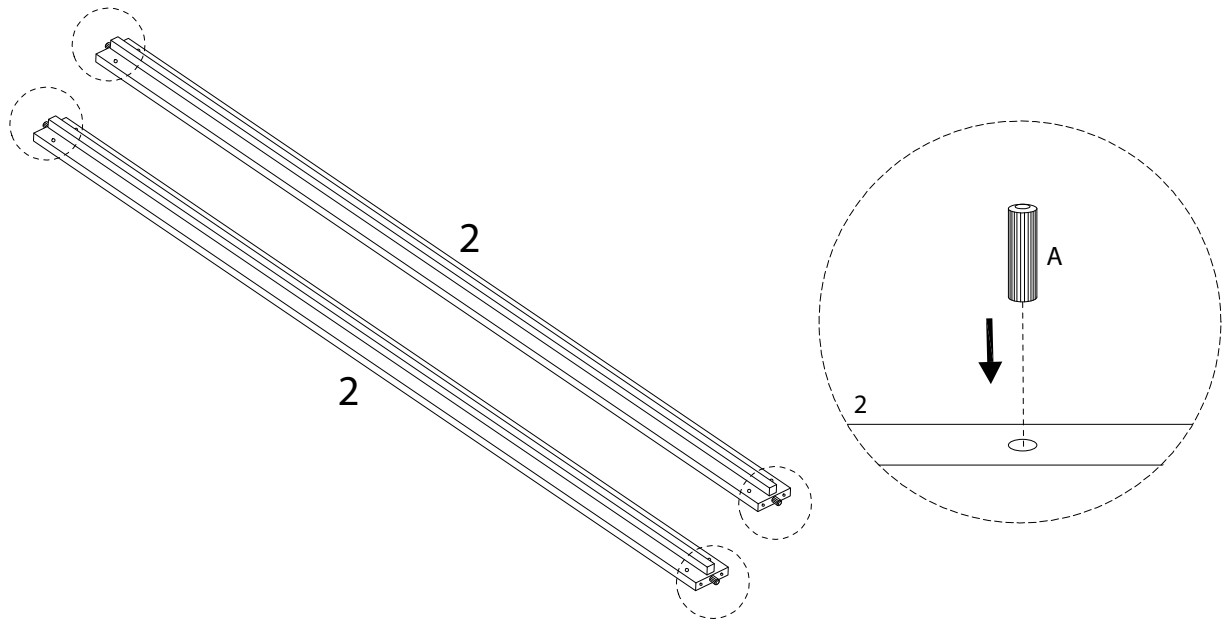
1 x 2

<p>1</p>  <p>x 1</p>	<p>3</p>  <p>x 2</p>	<p>C</p>  <p>M4 x 65 x 4</p>	<p>F</p>  <p>x 4</p>	<p>G</p>  <p>x 1</p>
-------------------------------------------------------------------------------------------------------	-------------------------------------------------------------------------------------------------------	---------------------------------------------------------------------------------------------------------------------------	---------------------------------------------------------------------------------------------------------	---------------------------------------------------------------------------------------------------------

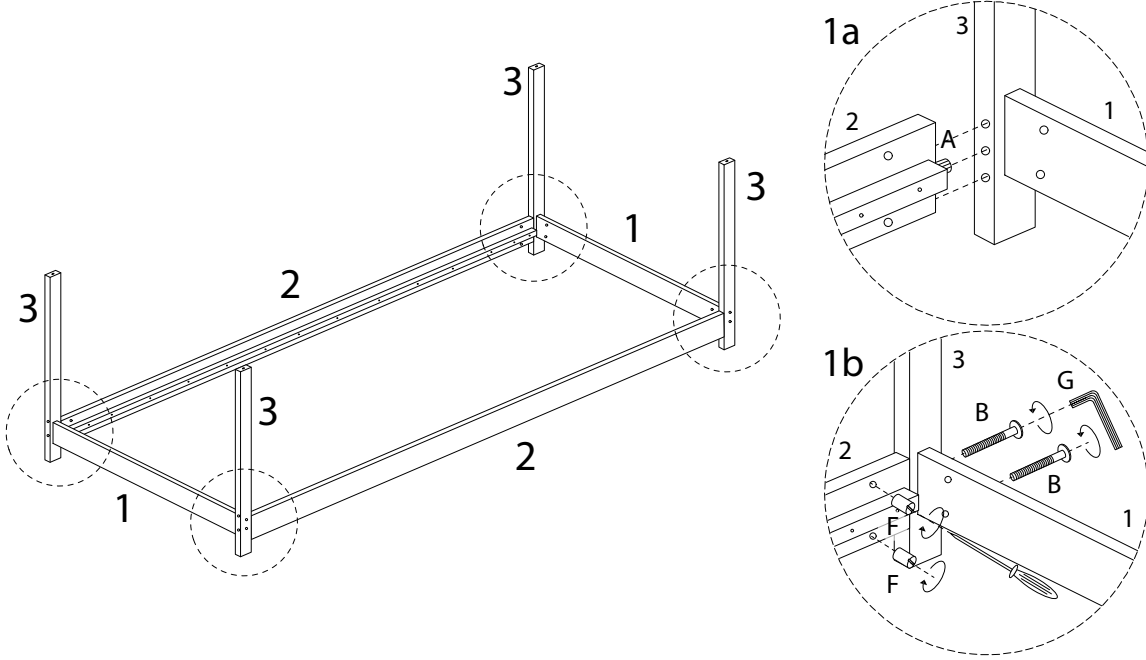
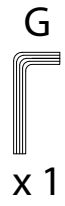
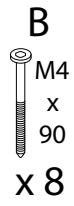


2

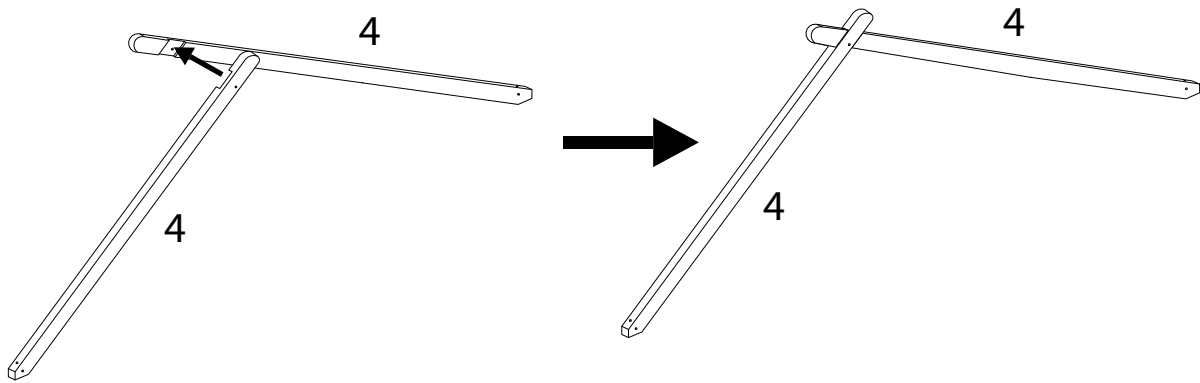
<p>2</p>  <p>x 2</p>	<p>A</p>  <p>x 4</p>
---------------------------------------------------------------------------------------------------------	-----------------------------------------------------------------------------------------------------------



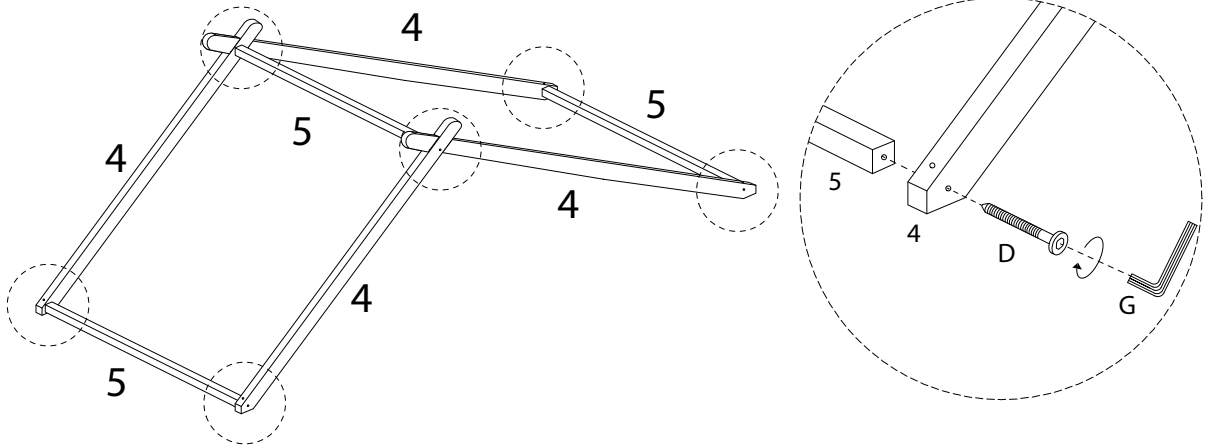
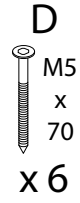
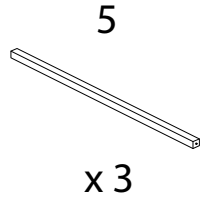
3



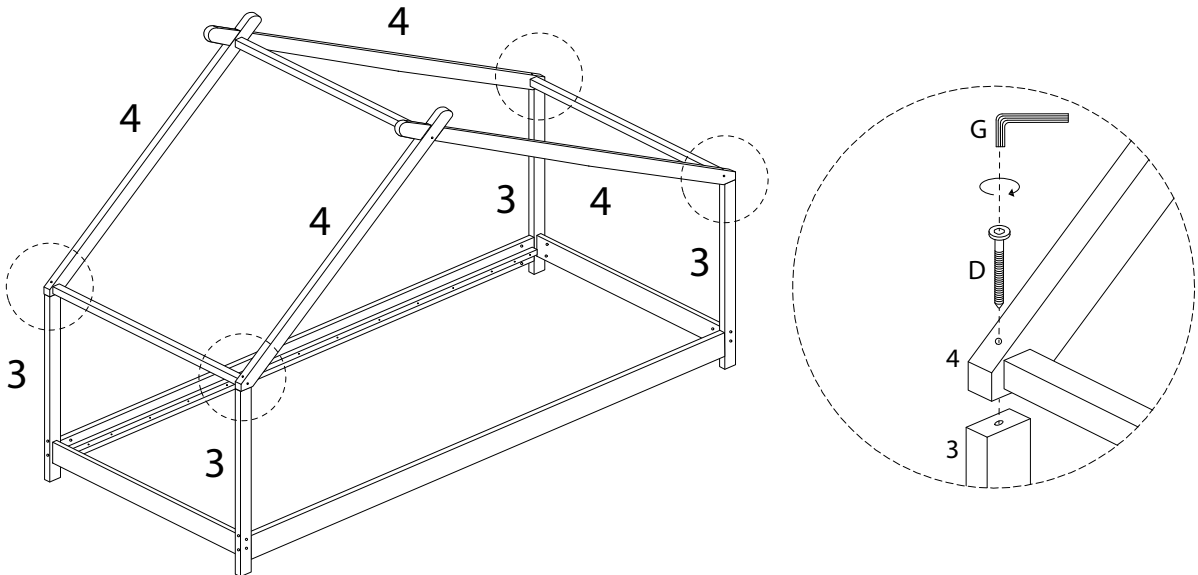
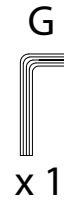
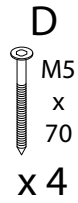
4 x 2



5

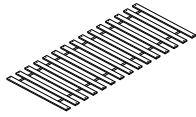


6



7

6

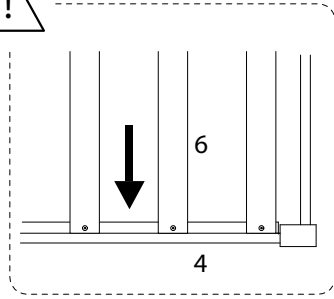
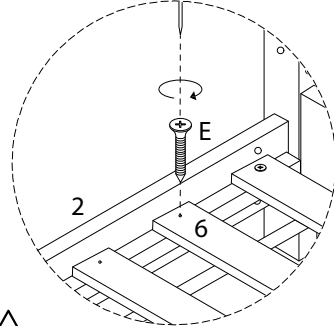
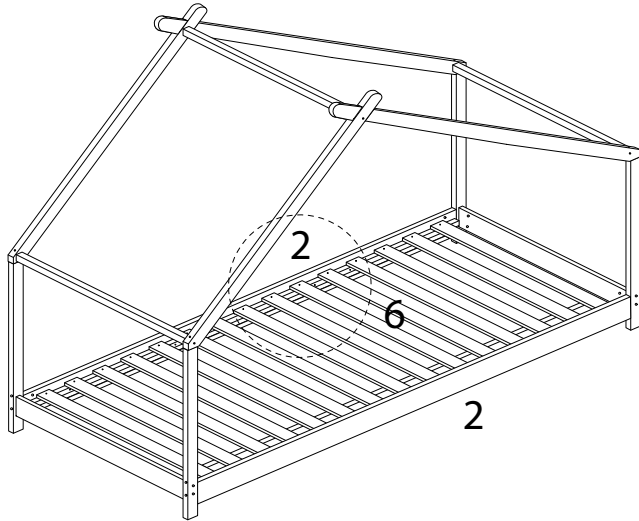


x 1

E

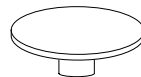


x 30



8

H



x 22

