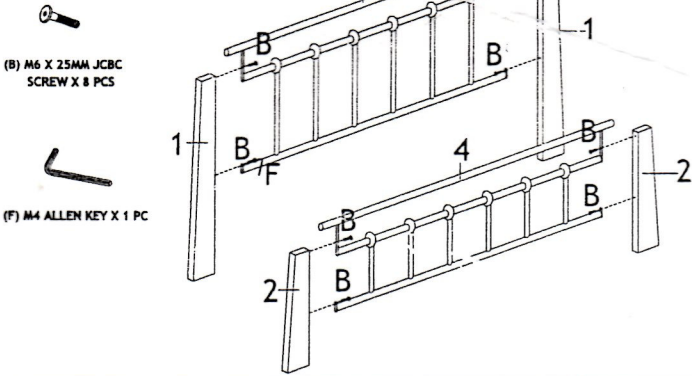


# ASSEMBLY INSTRUCTION

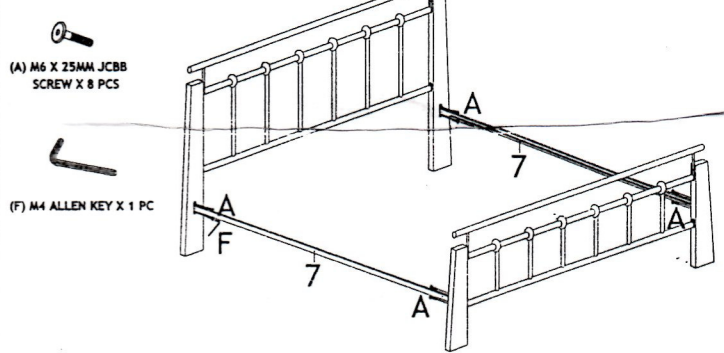
## MODEL : HOME 5072-1 DOUBLE BED ( Bendwood Slat ) - 4 Support Legs

Before you begin, please follow Assembly Instruction carefully. Follow them step by step.

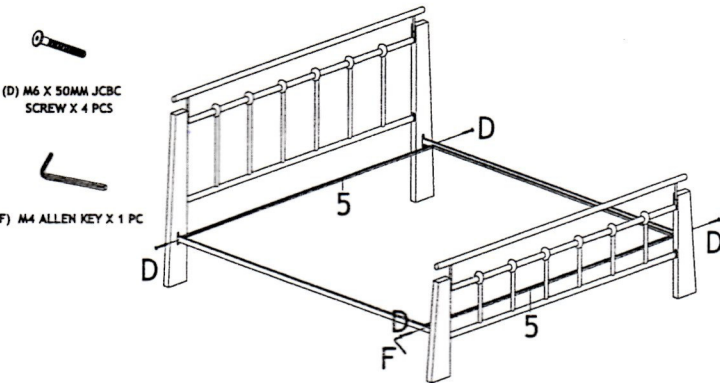
### STEP 1



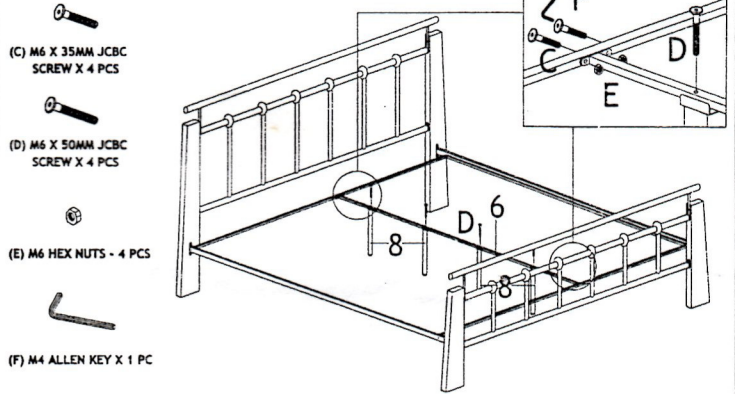
### STEP 2



### STEP 3



### STEP 4

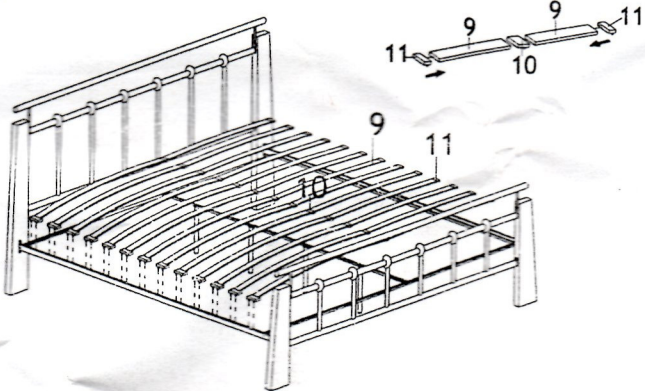


# ASSEMBLY INSTRUCTION

## MODEL : HOME 5072 DOUBLE BED ( Bendwood Slat ) - 4 Support Legs

Before you begin, please follow Assembly Instruction carefully. Follow them step by step.

### STEP 5



### PART LIST

1  HEAD POST X 2 PCS	2  FOOT POST X 2 PCS	7  METAL SIDE RAIL X 2 PCS
3  HEADBOARD X 1 PC	4  FOOTBOARD X 1 PC	8  CENTER SUPPORT LEGS X 4 PCS
5  MIDDLE RAIL X 2 PCS	9  BENDWOOD X 26 PCS	10  DOUBLE SLAT HOLDER X 13 PCS
6  CENTER RAIL X 1 PC	11  SINGLE SLAT HOLDER X 26 PCS	

### HARDWARE LIST

 (A) M6 X 25MM JCBB SCREW - 8 PCS	 (D) M6 X 50MM JCBC SCREW - 8 PCS
 (B) M6 X 25MM JCBC SCREW - 8 PCS	 (E) M6 HEX NUTS - 4 PCS
 (C) M6 X 35MM JCBC SCREW - 4 PCS	 (F) M4 ALLEN KEY - 1 PC

