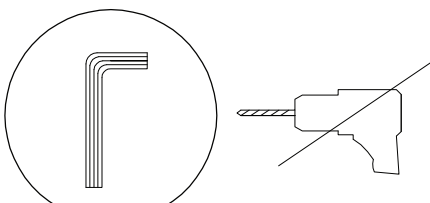

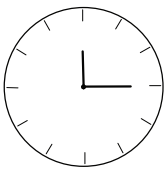
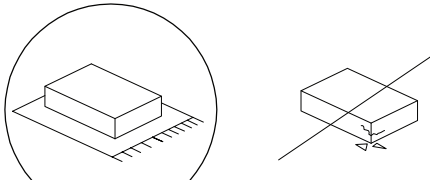

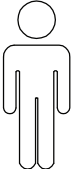
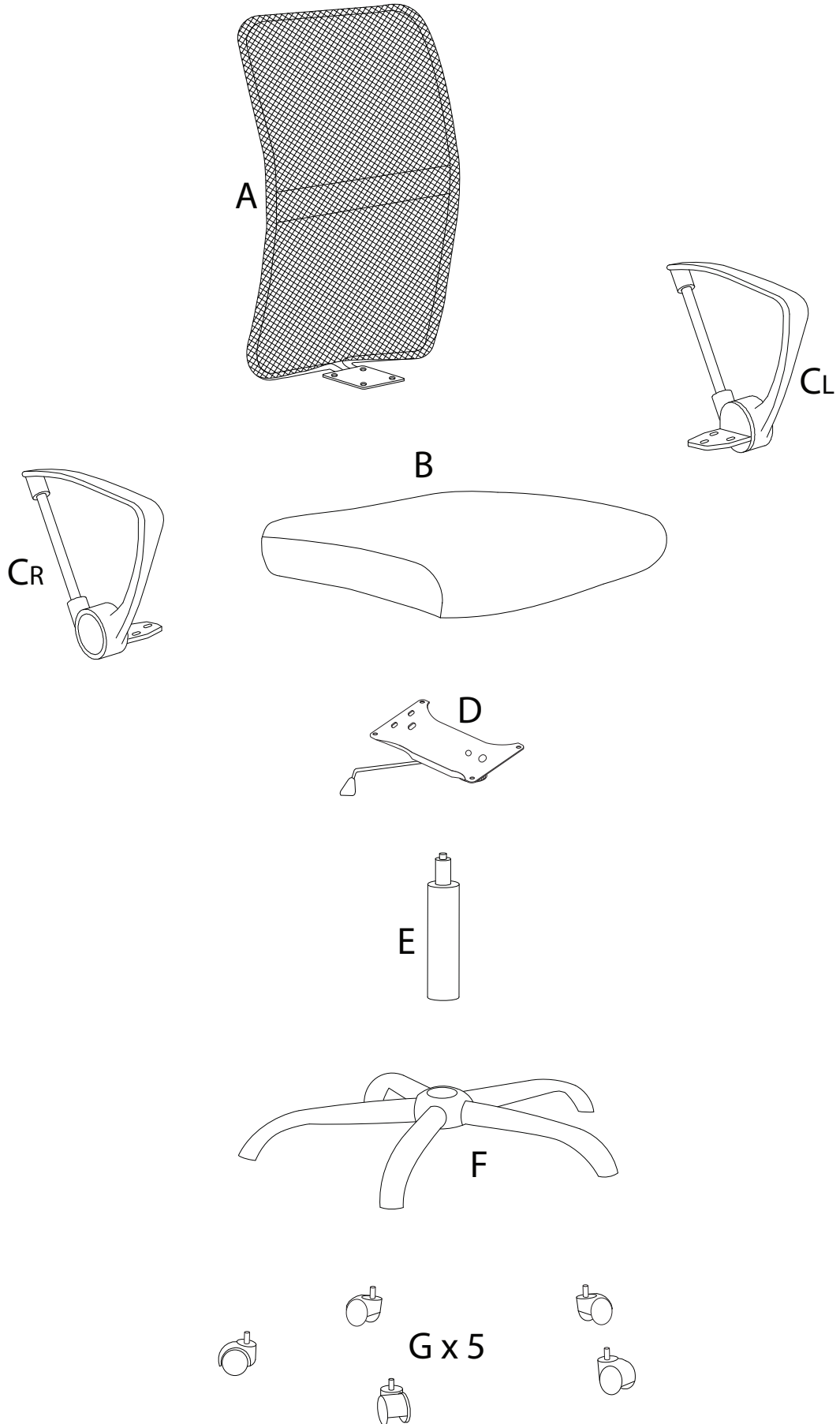


BEST





		
		15'
		
		2

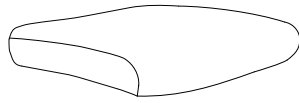


A



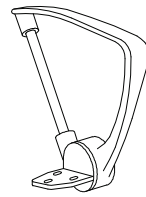
x 1

B



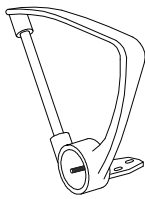
x 1

CL



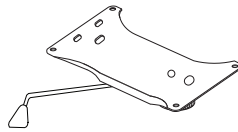
x 1

CR



x 1

D



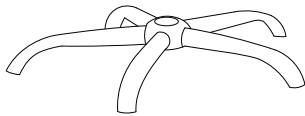
x 1

E



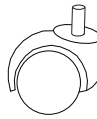
x 1

F



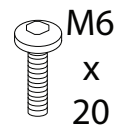
x 1

G



x 5

H



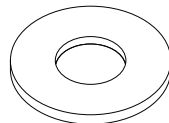
x 4

I



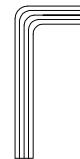
x 10

J



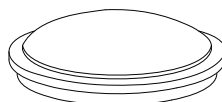
x 6

K



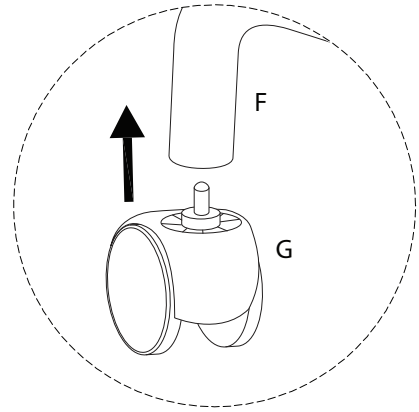
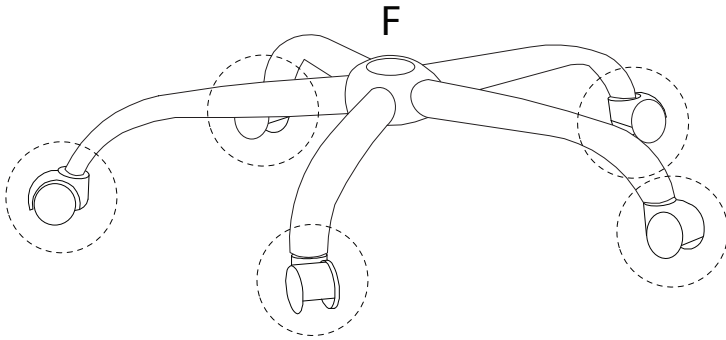
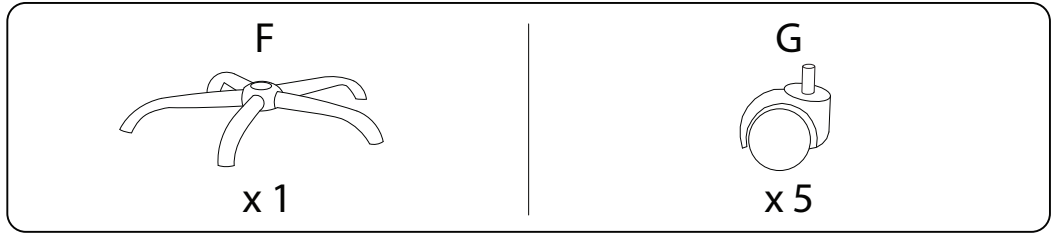
x 1

L

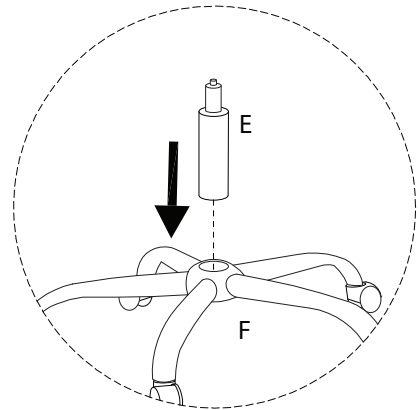
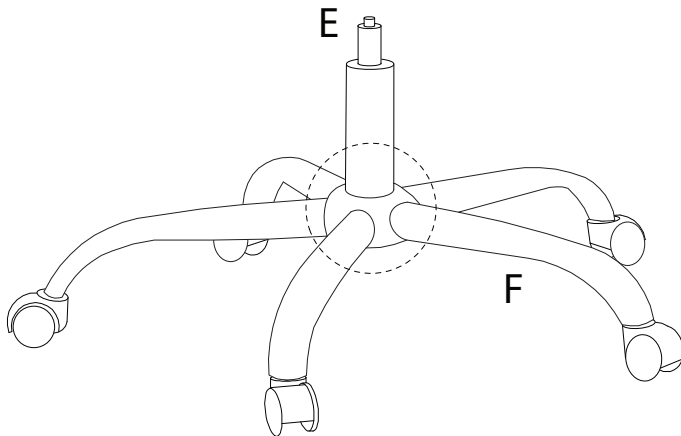
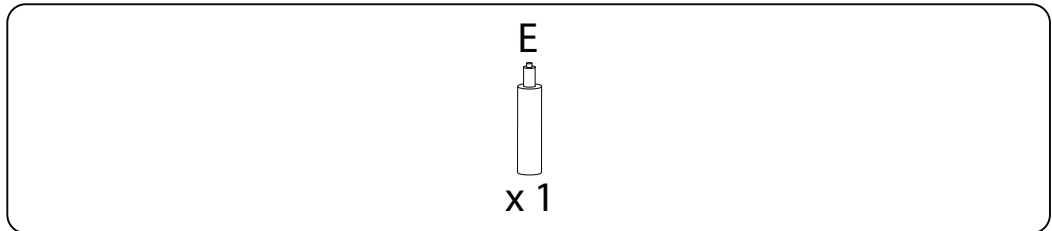


x 2

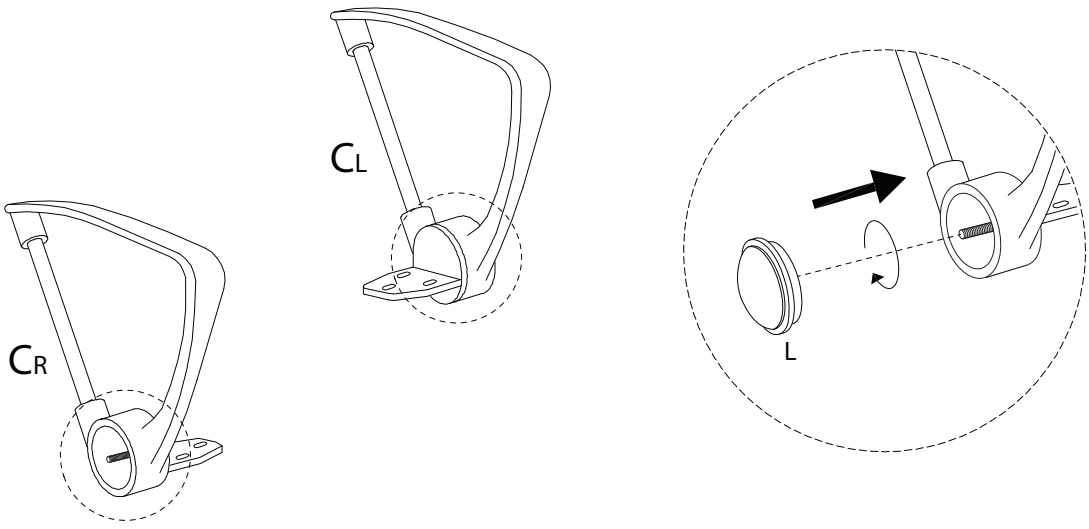
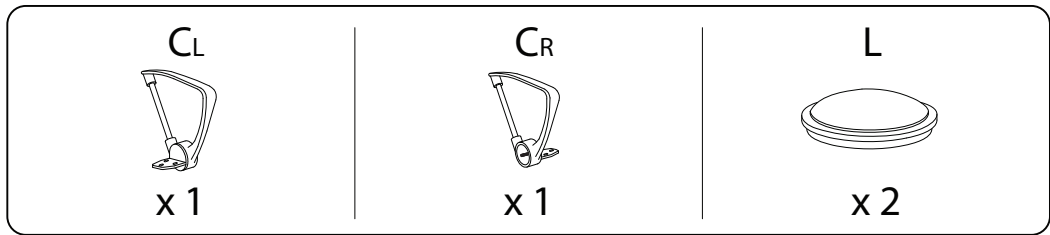
1



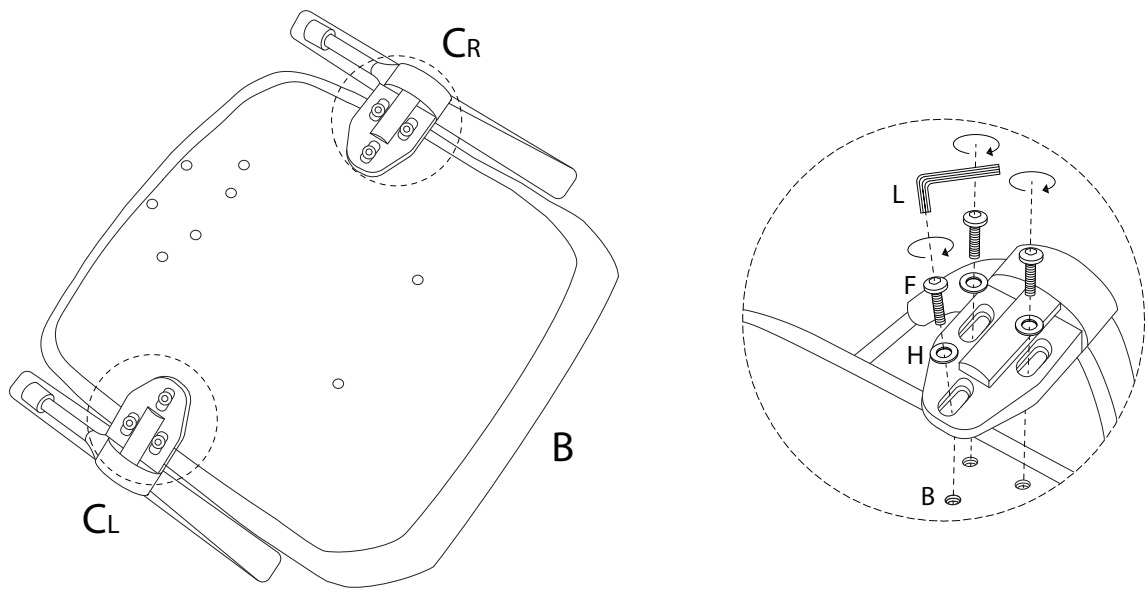
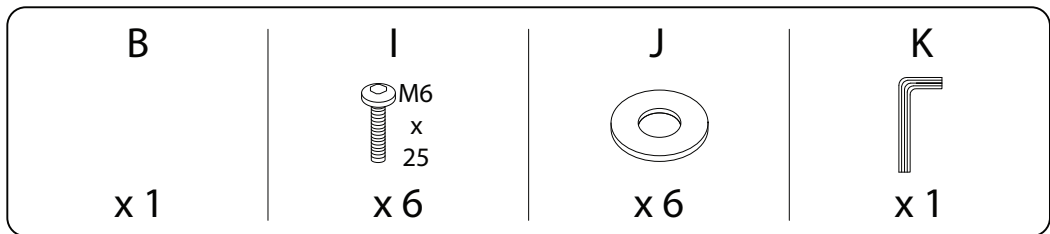
2



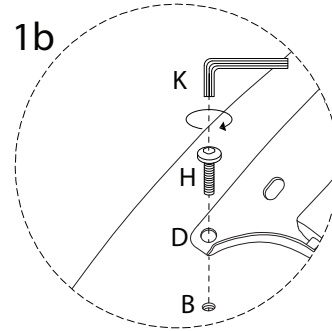
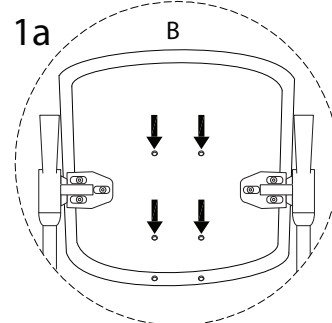
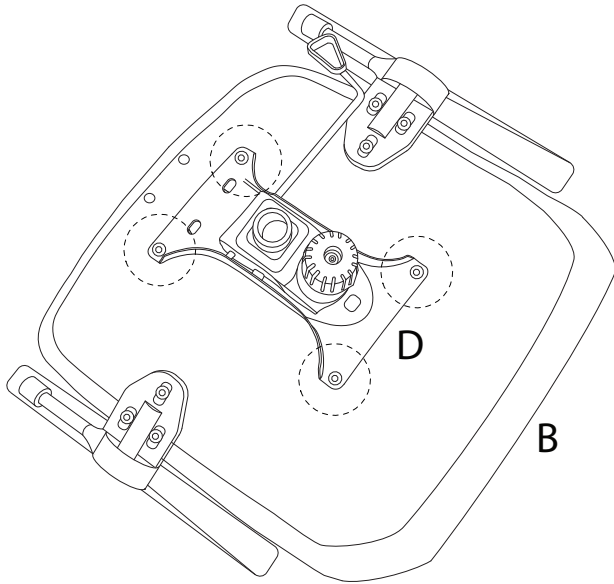
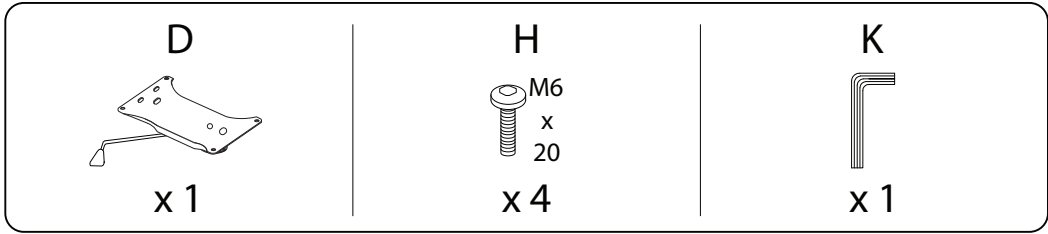
3



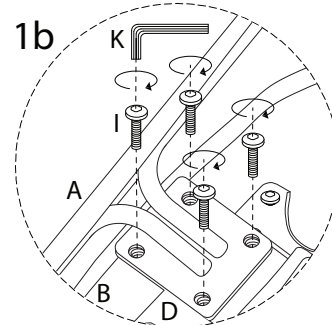
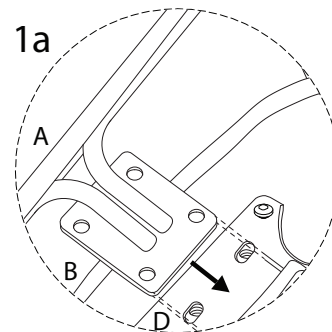
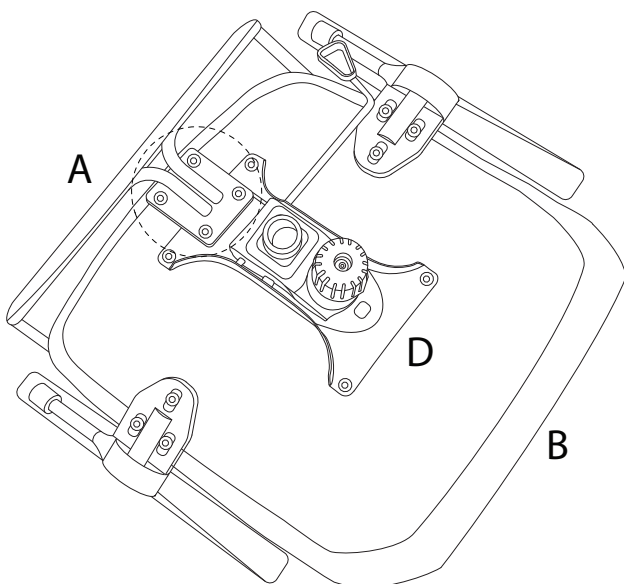
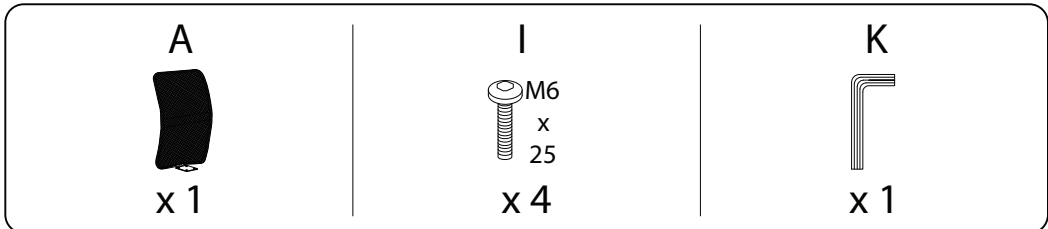
4



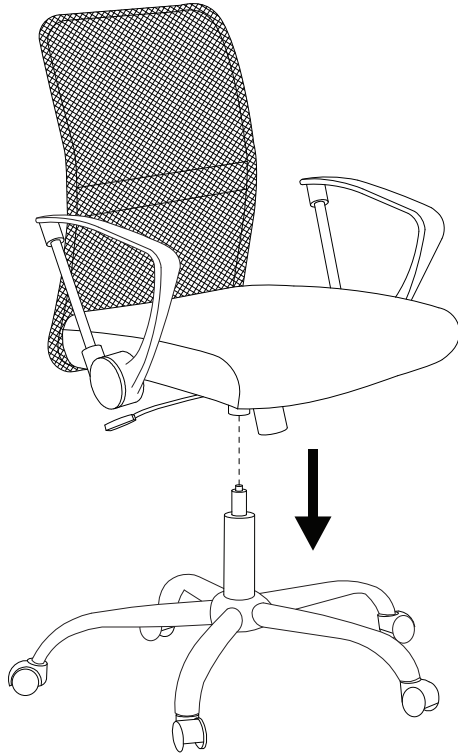
5



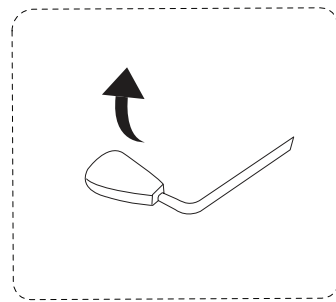
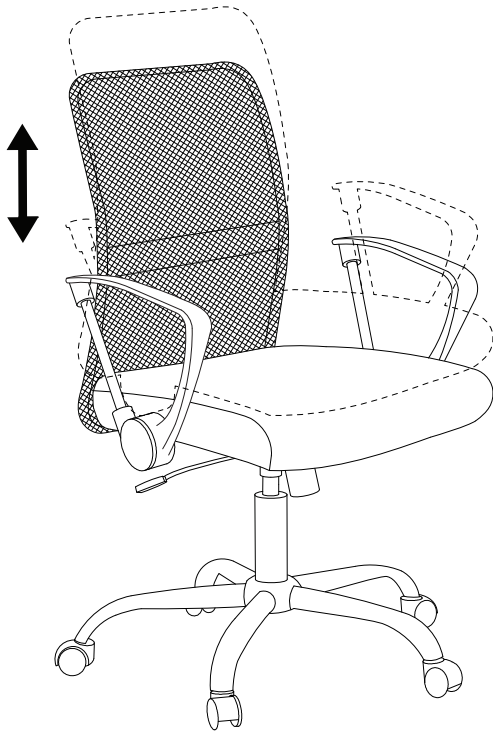
6



7



!



!

