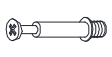


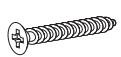



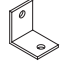

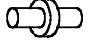

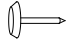
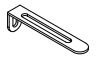



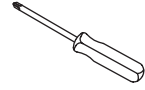
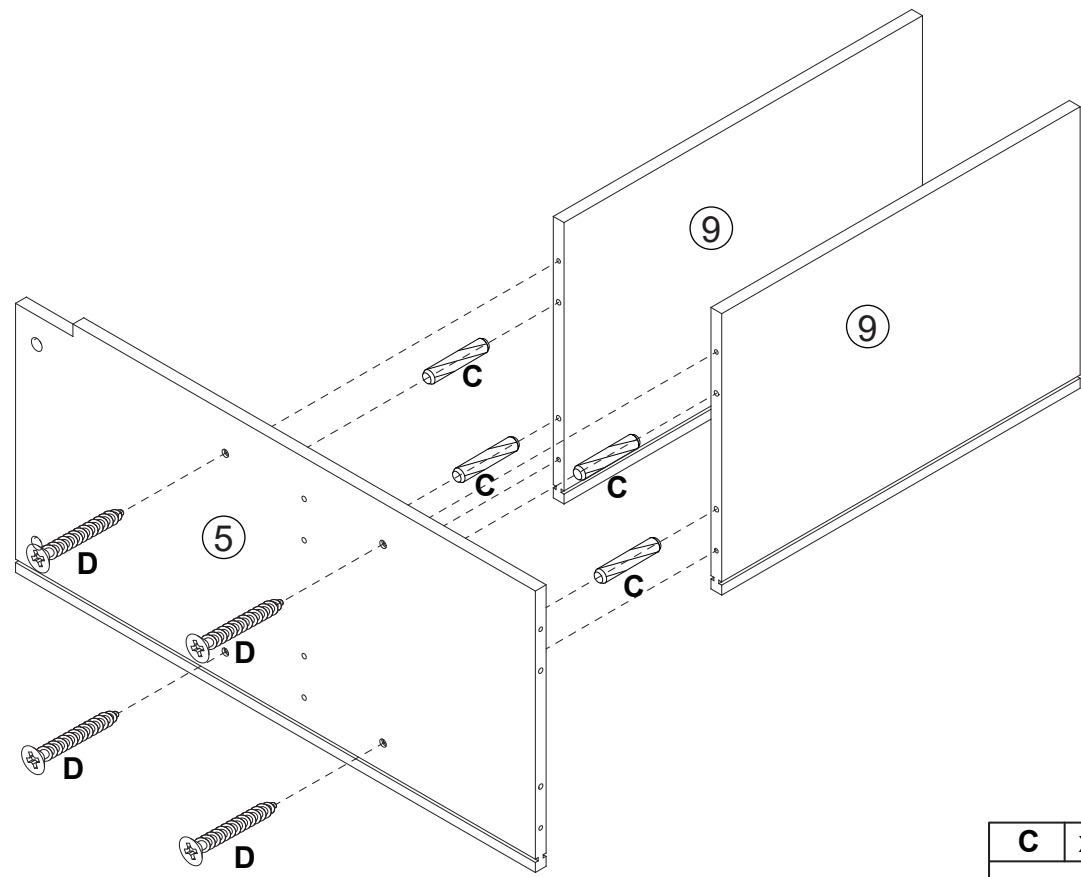

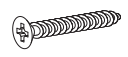


A	x25	B	x25	C	x38	D	x17	E	x28	F	x28
											
M6*35mm		φ 15*10mm		M8*30mm		M4*40mm		M3*14mm			
G	x8	H	x4	I	x4	J	x2	K	x10	L	x6
											
M6*12mm								M4*12mm			
M	x2	N	x2								
											

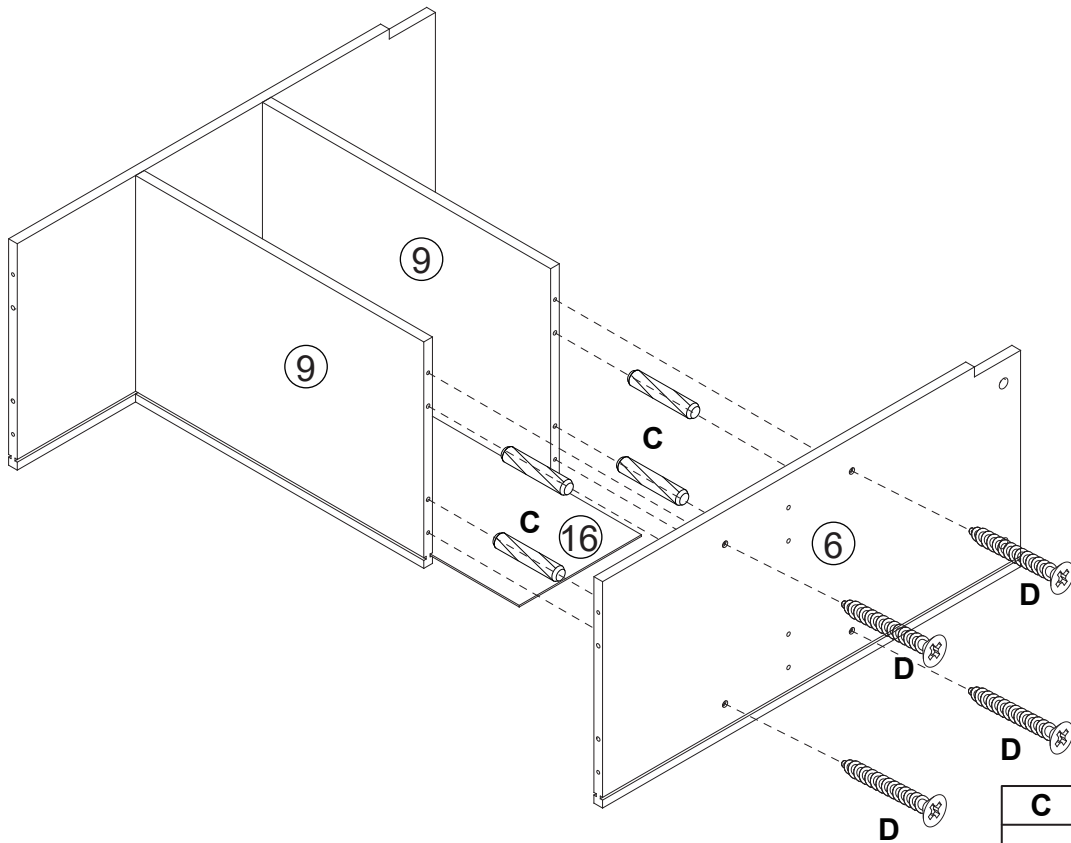
 45 MIN	 	 NOT PROVIDED
--	--	--



1



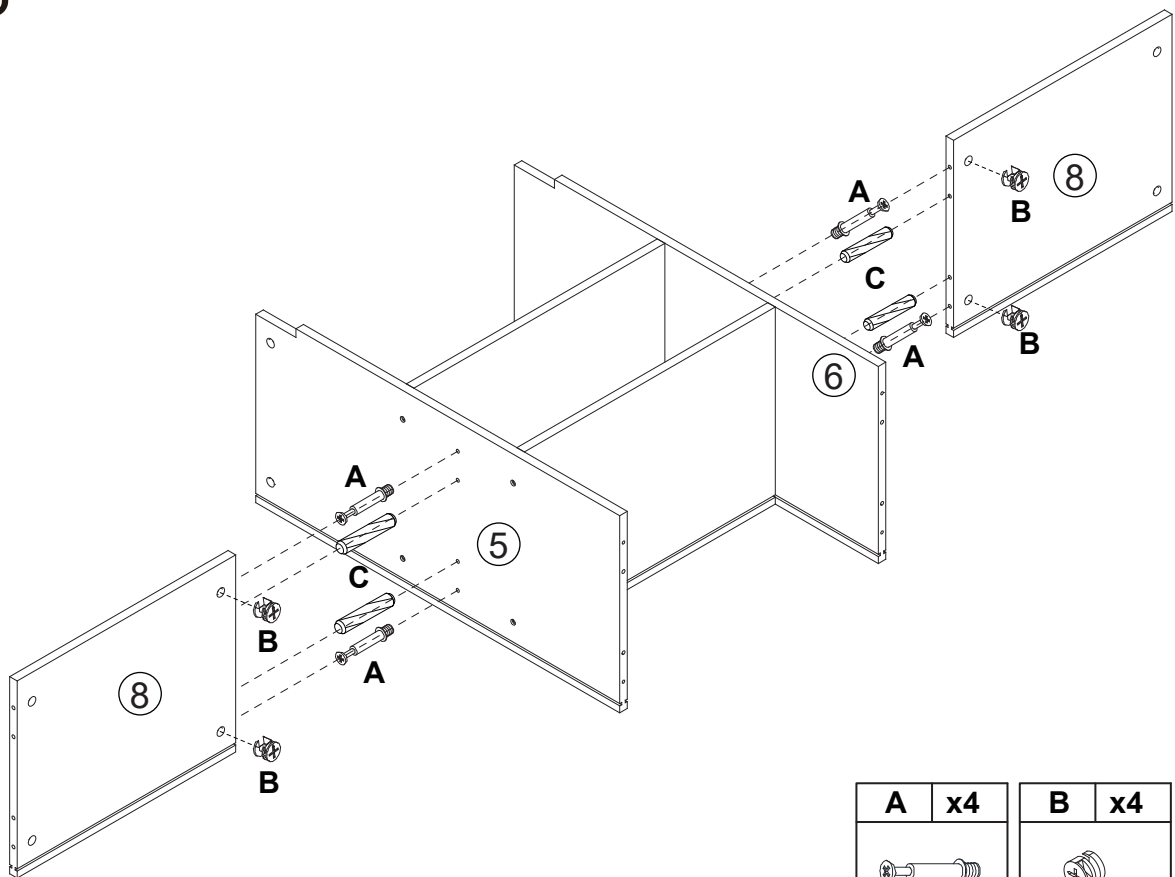
C	x4	D	x4
			




2



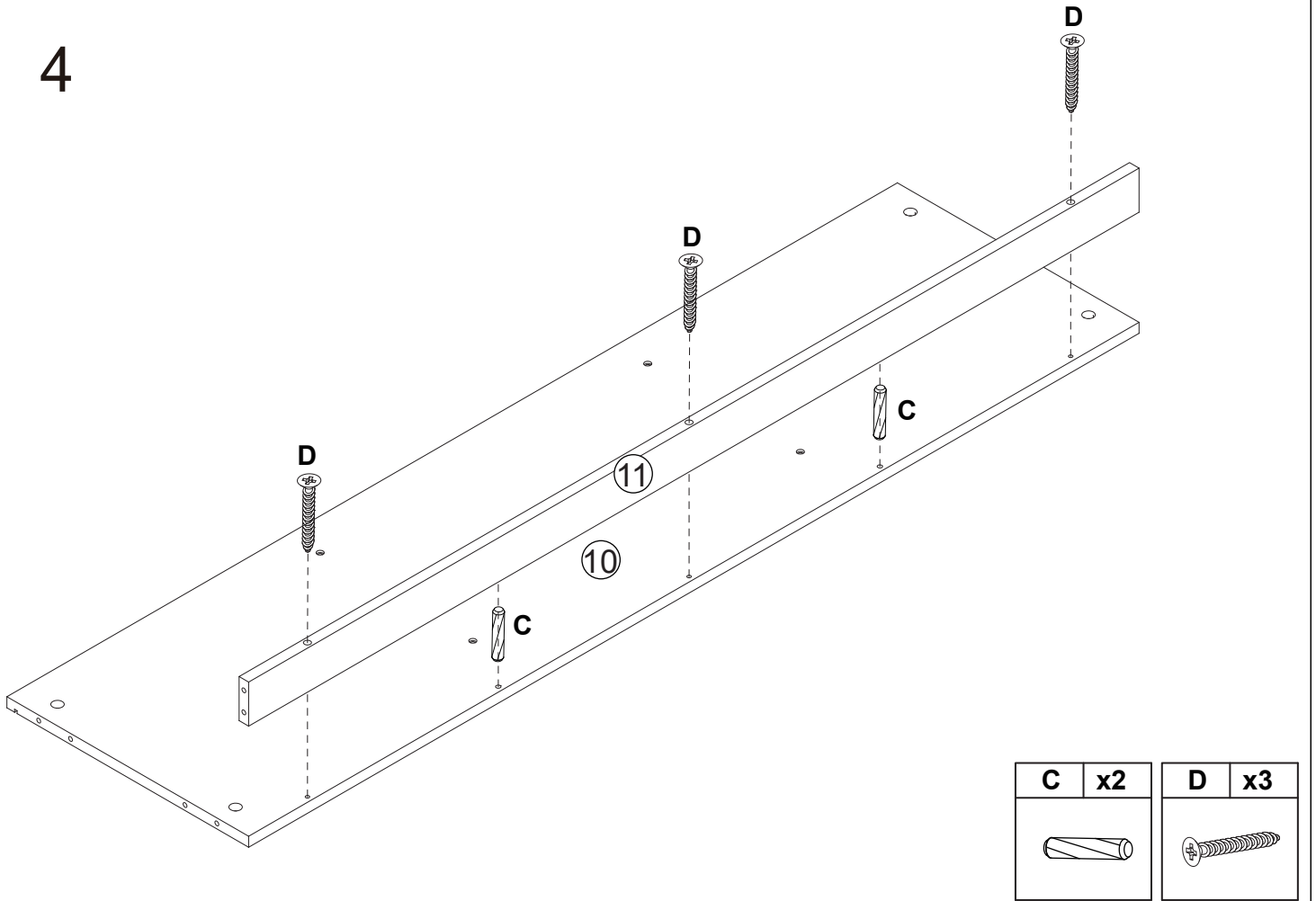
C	x4	D	x4
			

3

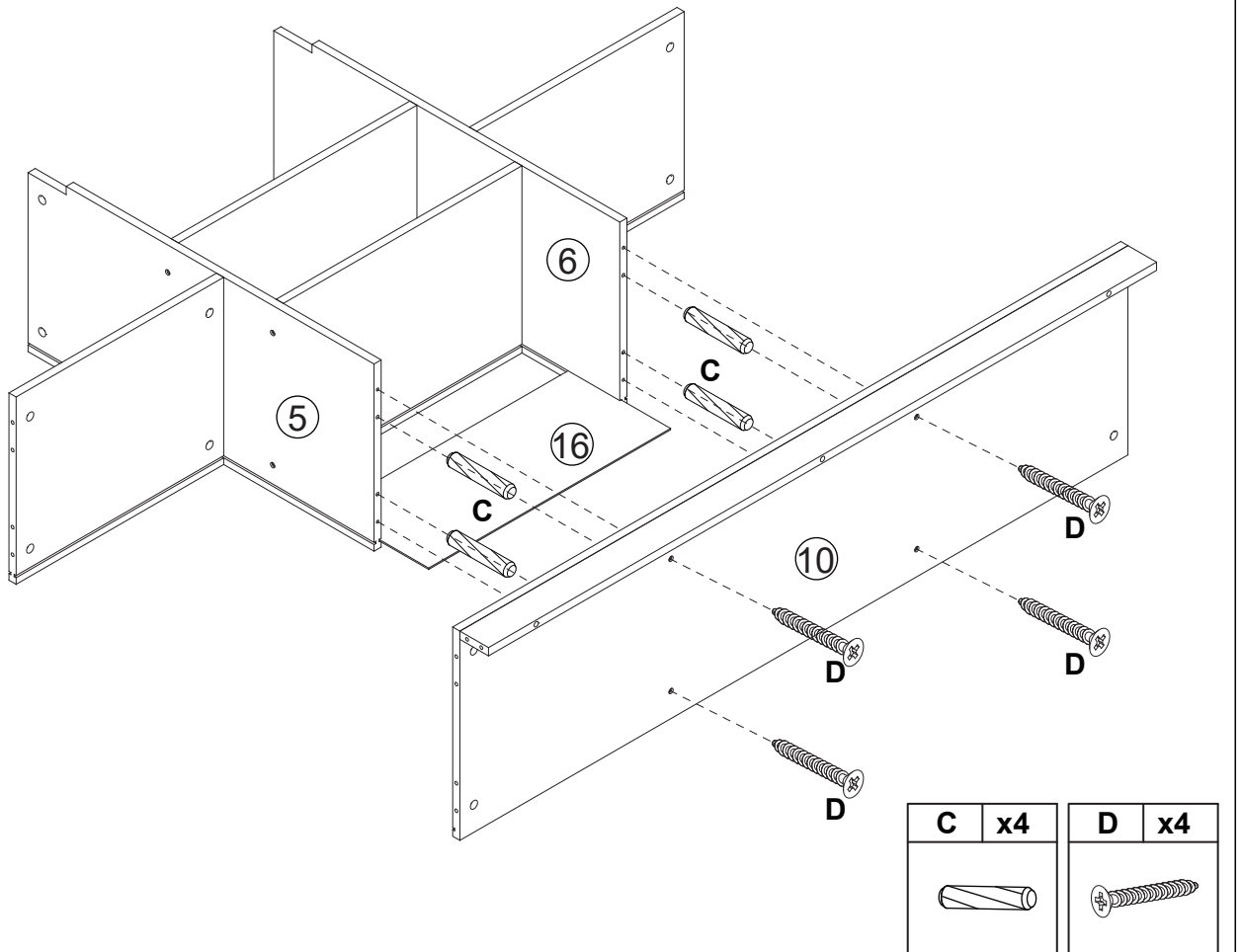


A	x4	B	x4	C	x4
					

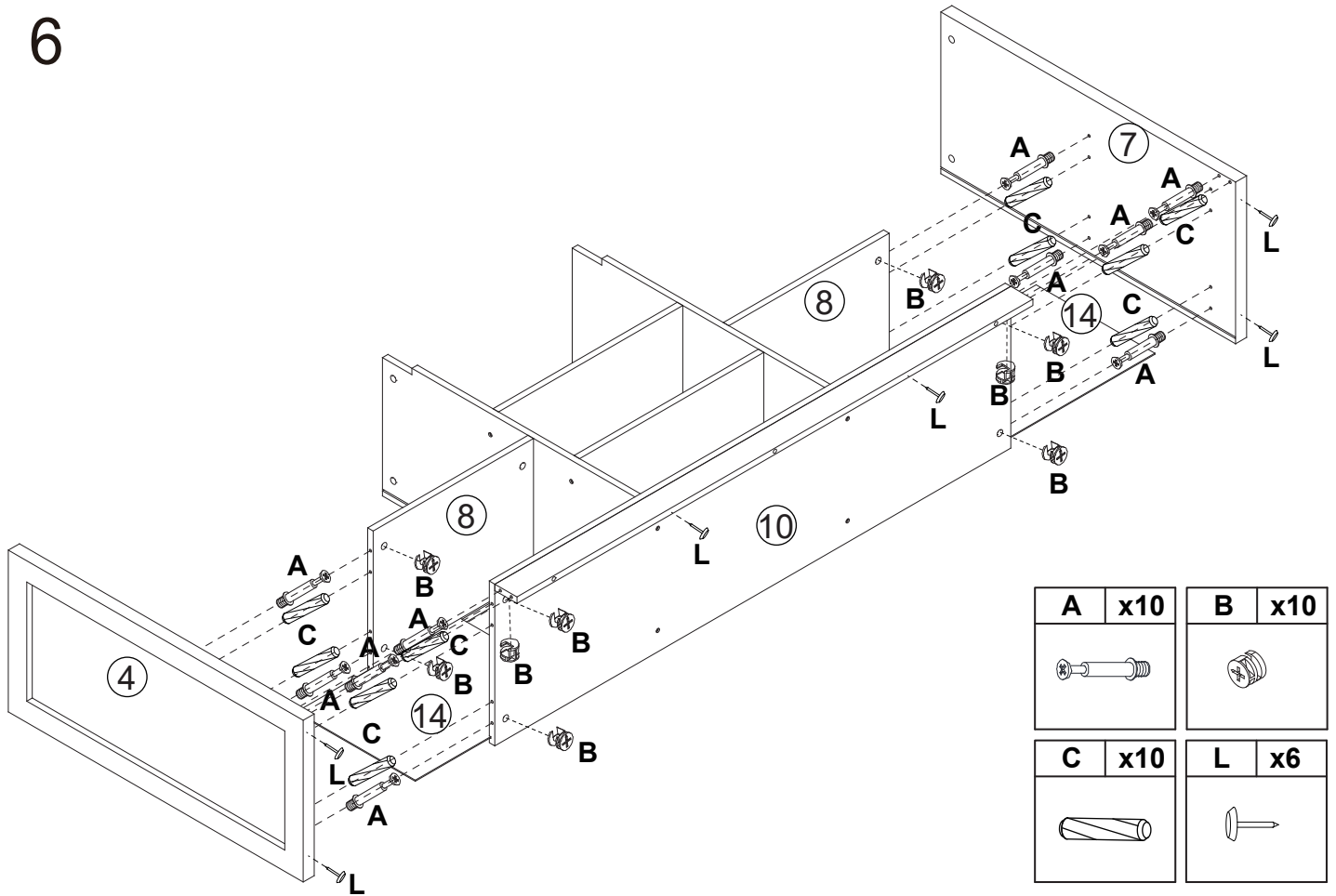
4







5

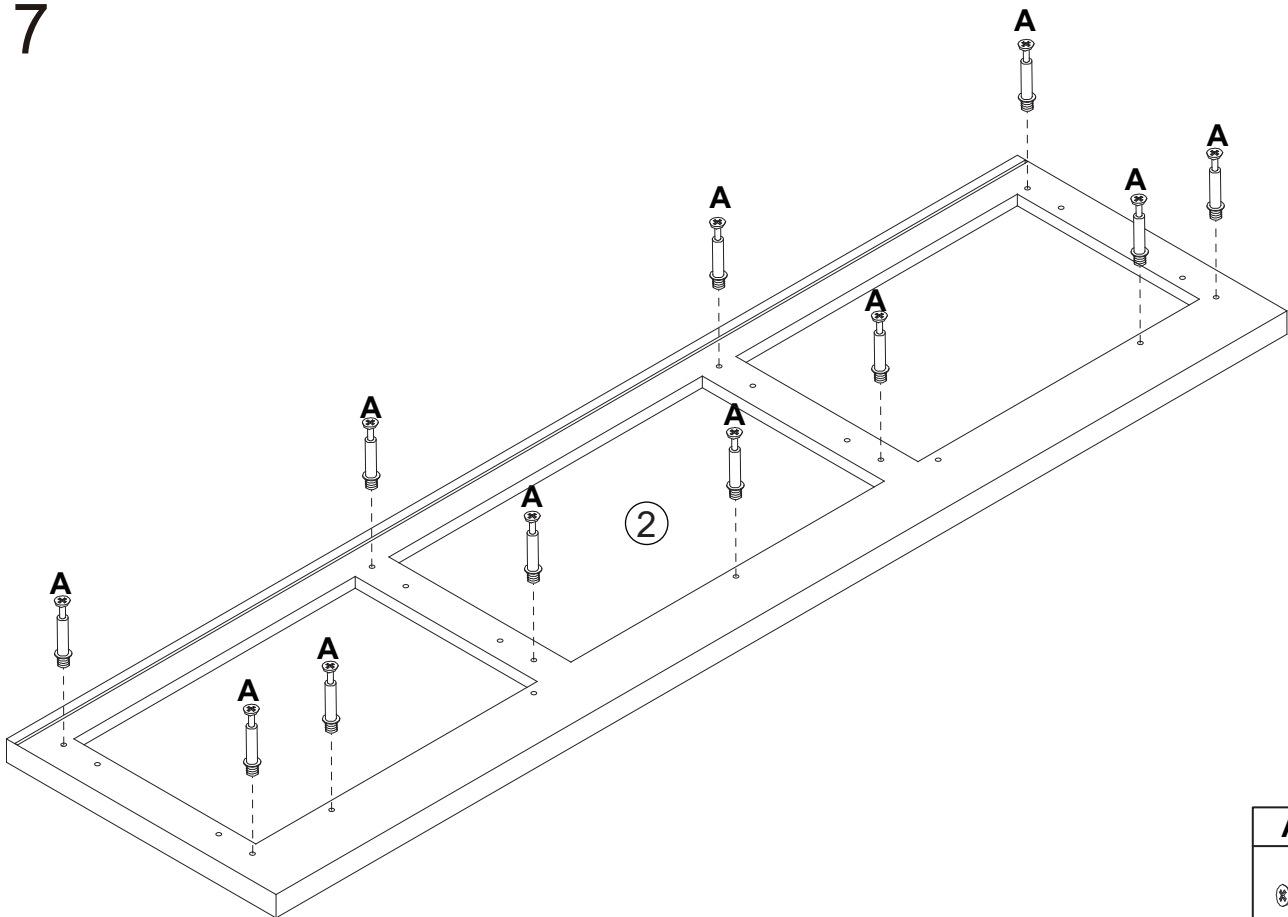



6



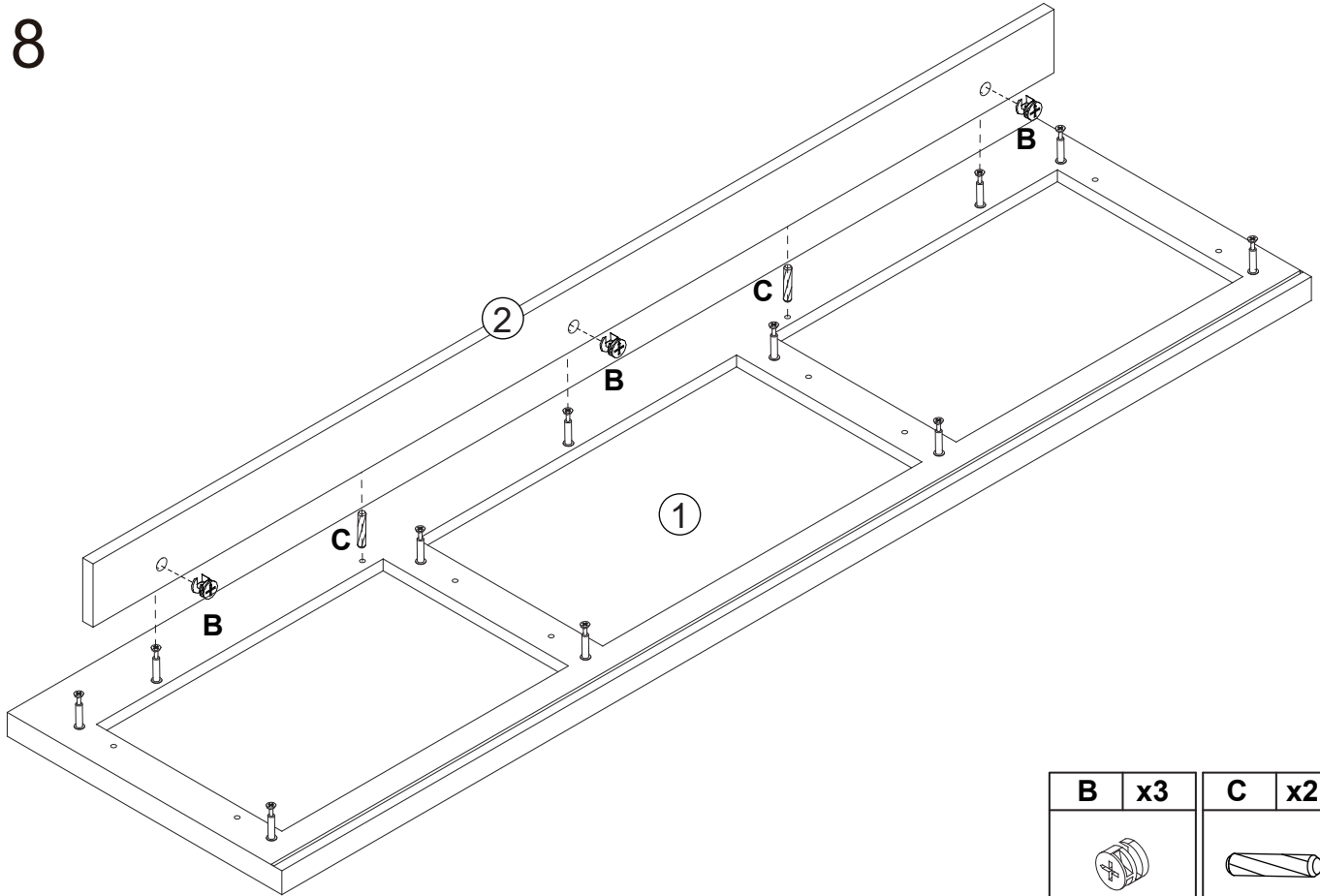
A	x10	B	x10
			
C	x10	L	x6
			


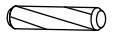
7



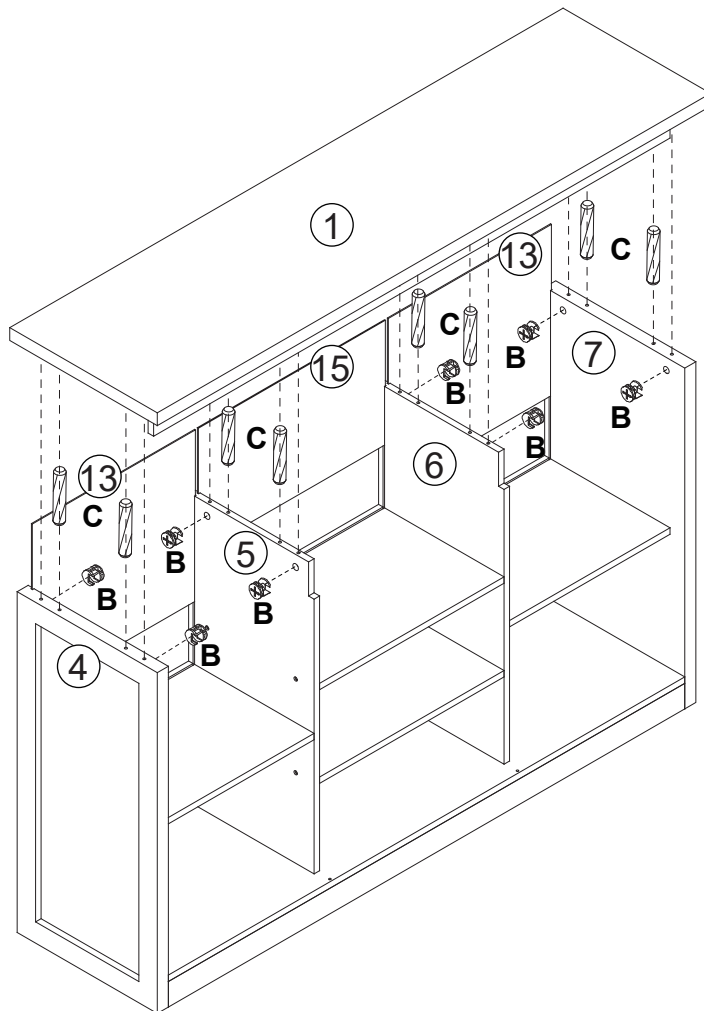
A	x11
	



8



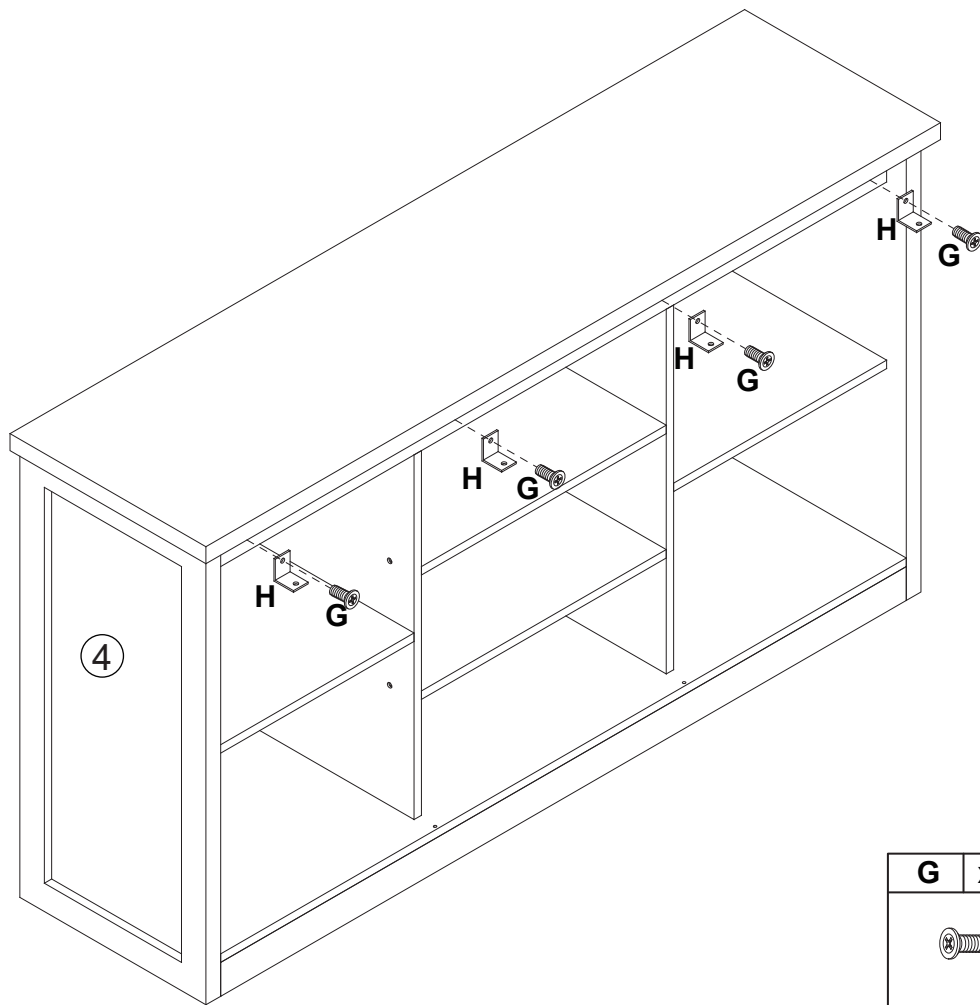
B	x3	C	x2
			



9



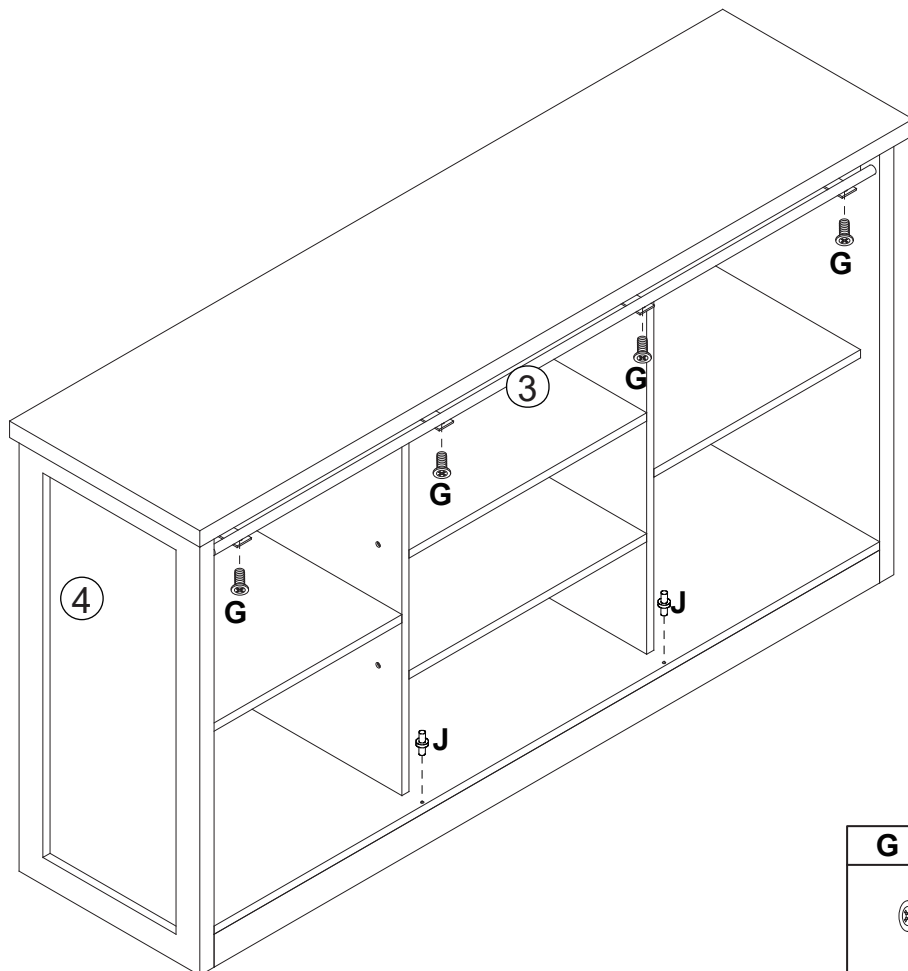
B	x8	C	x8
			



10



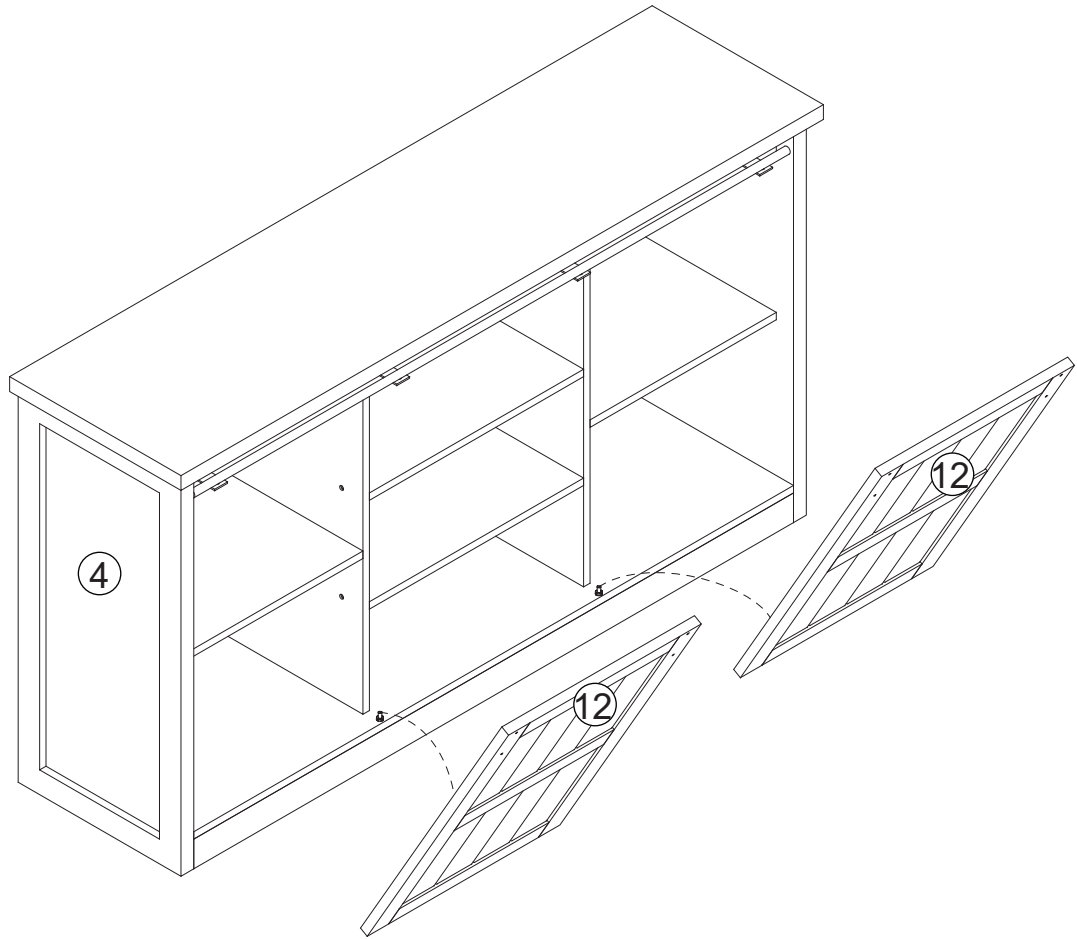
G	x4	H	x4
			

11

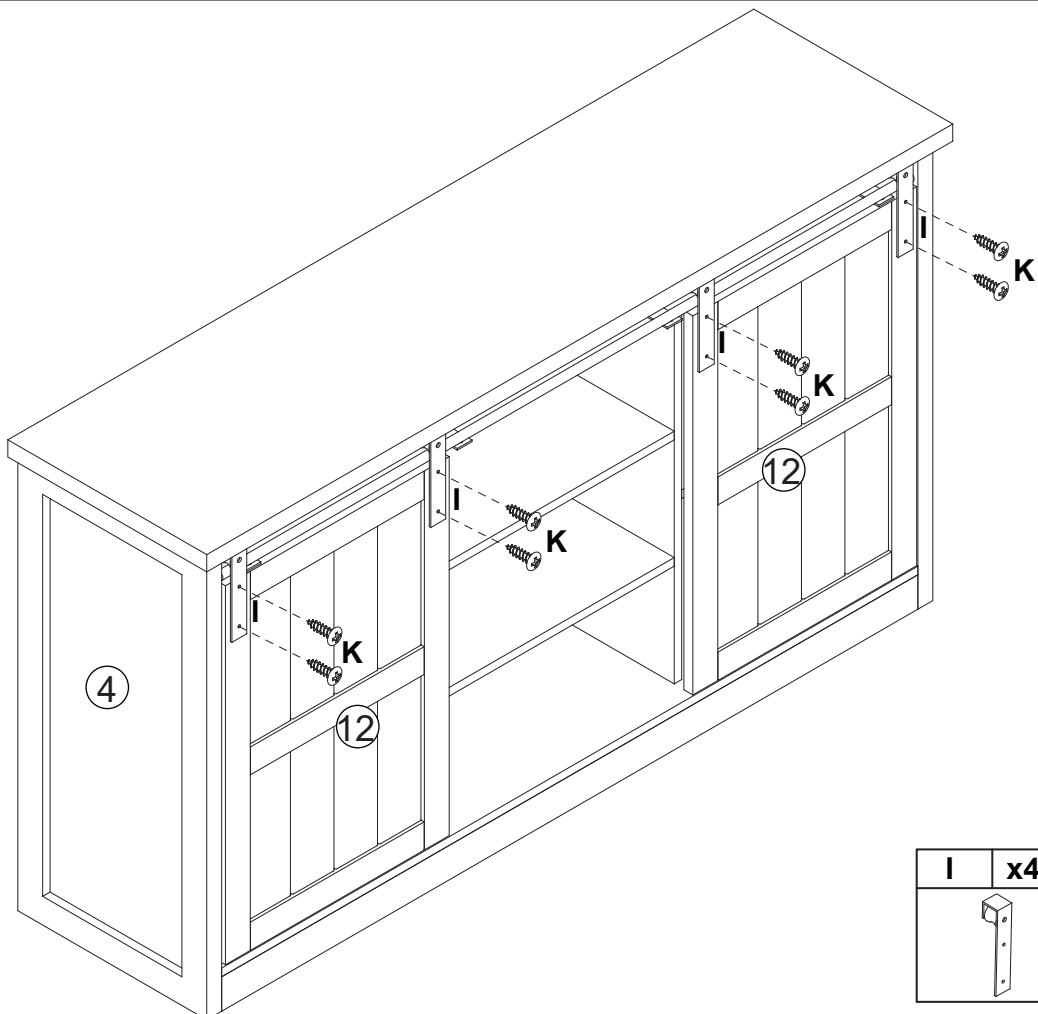




G	x4	J	x2
			

12

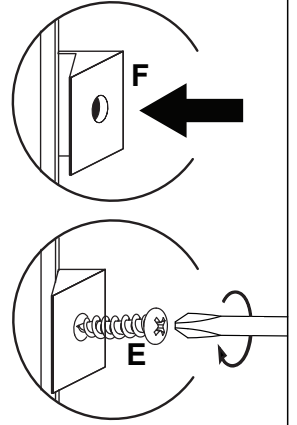
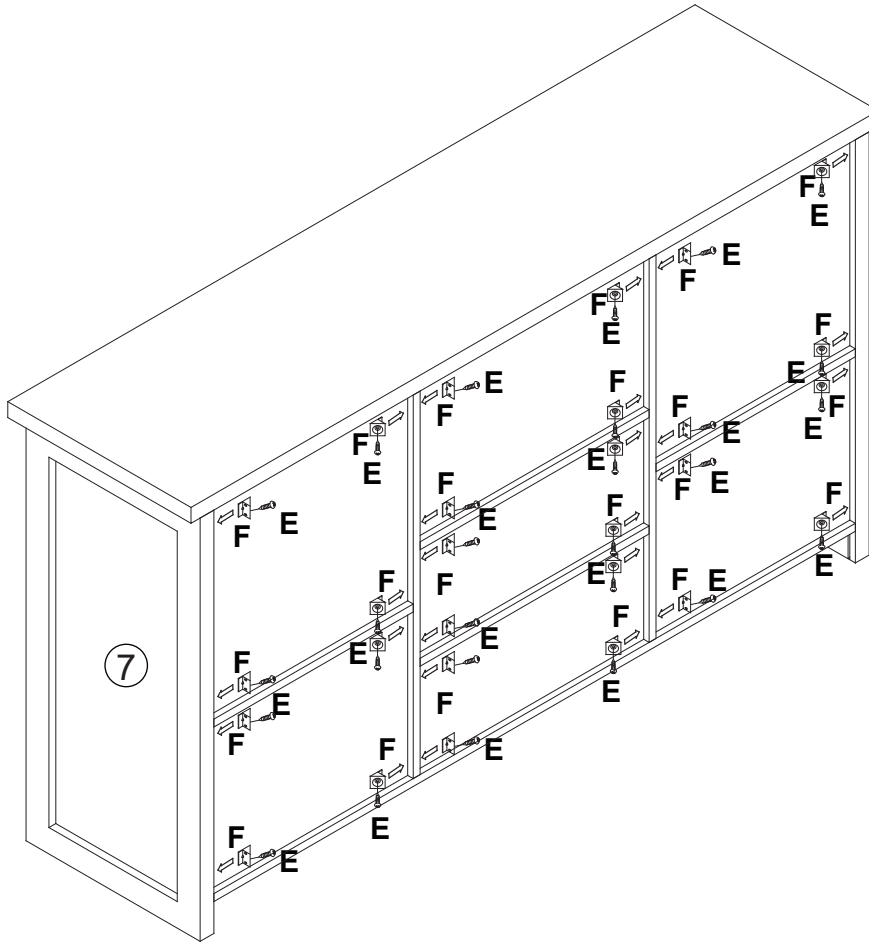


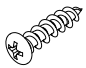

13



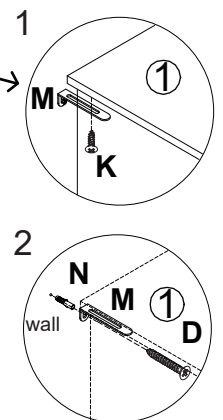
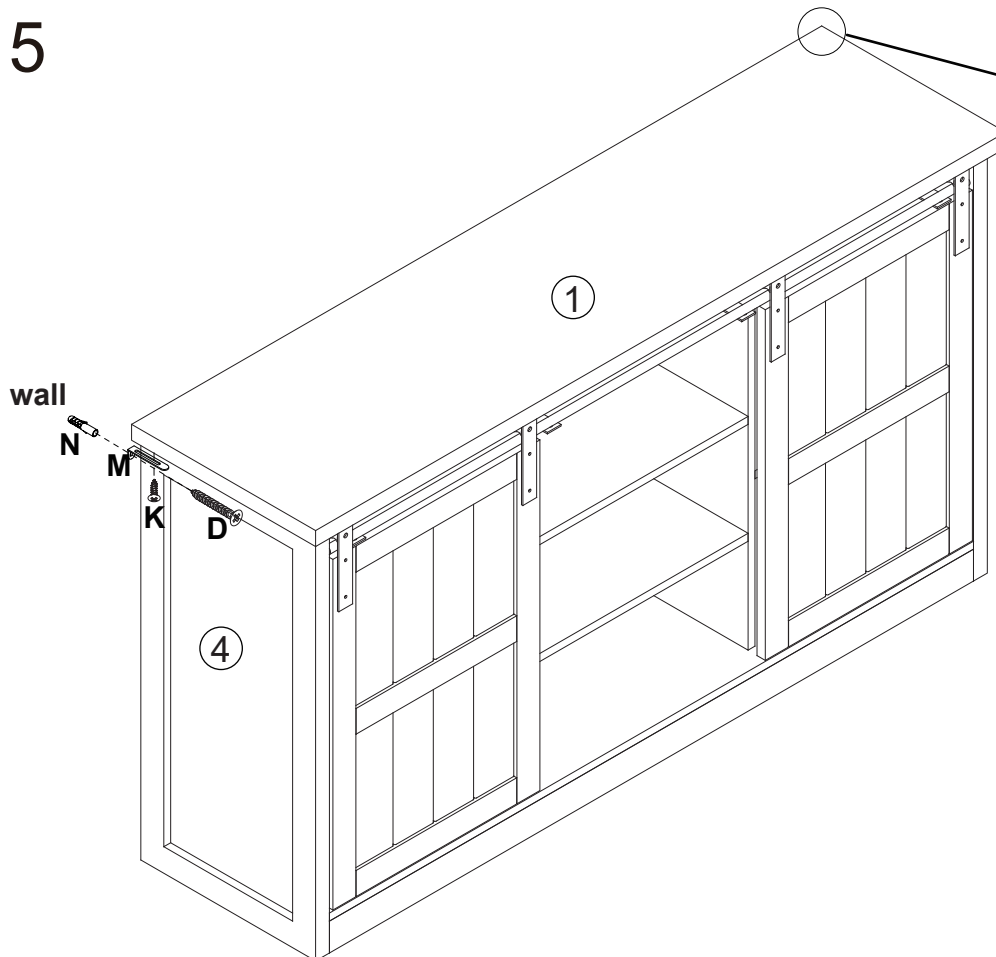
I	x4	K	x8
			



14



E	x28	F	x28
			

15



D	x2	K	x2
			
M	x2	N	x2
