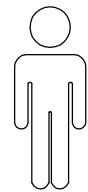
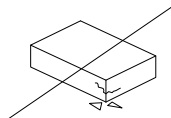
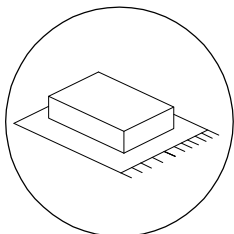
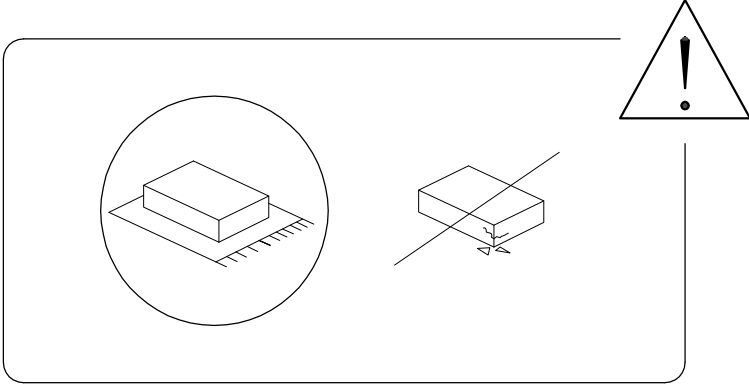
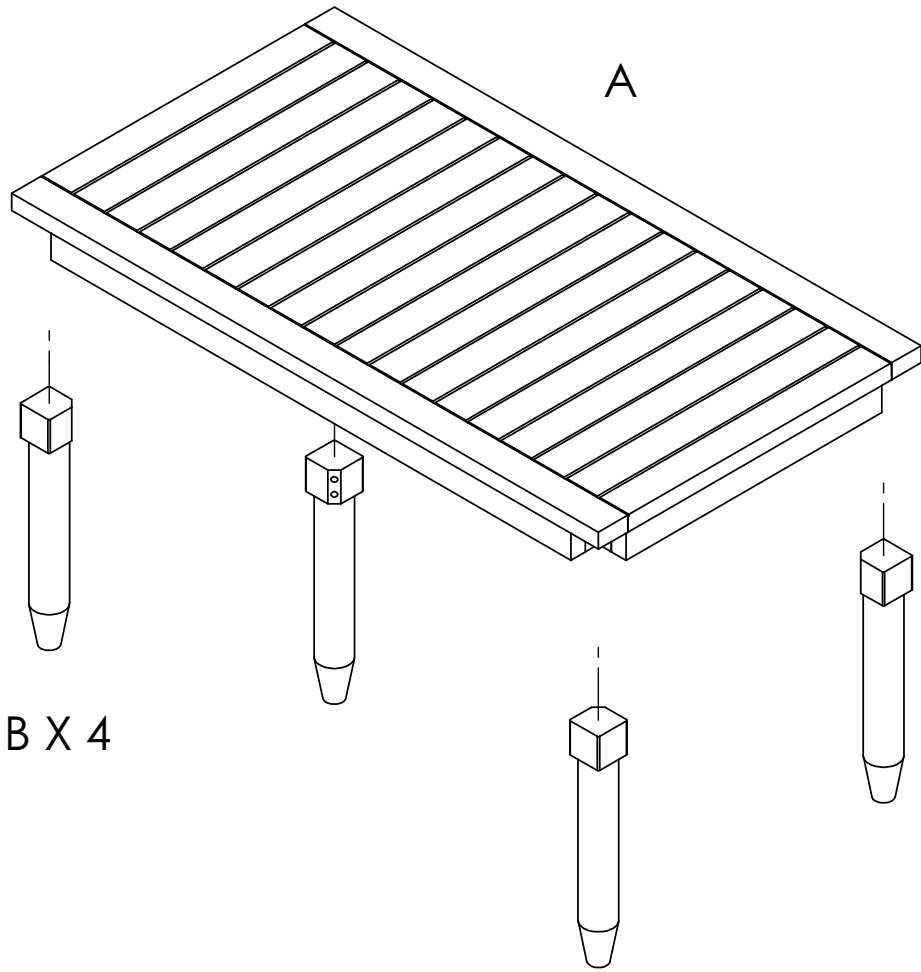
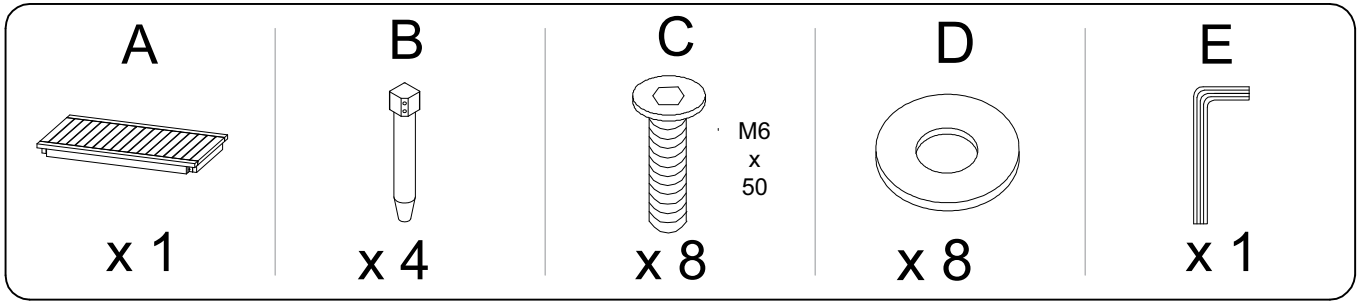


60'

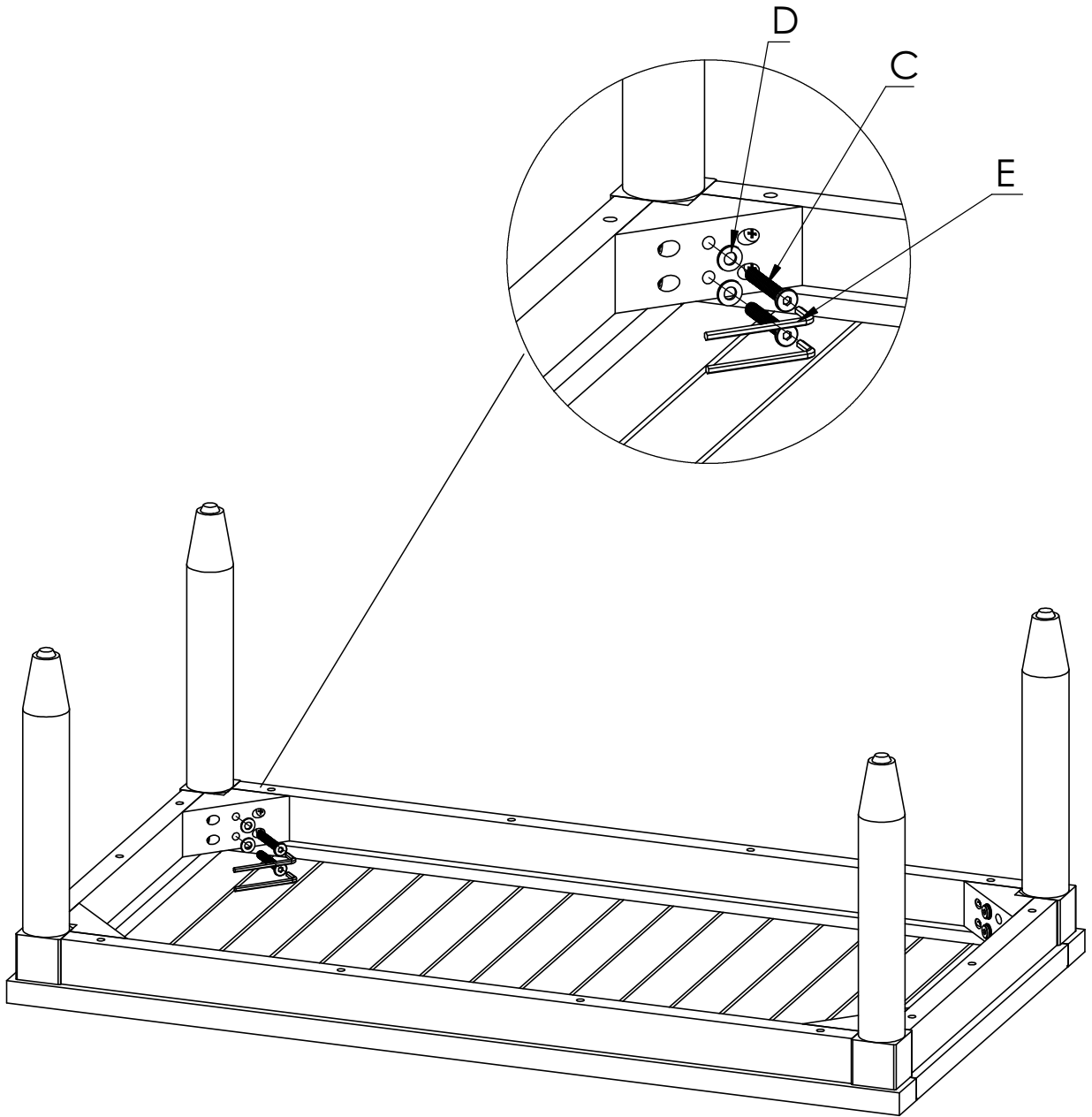
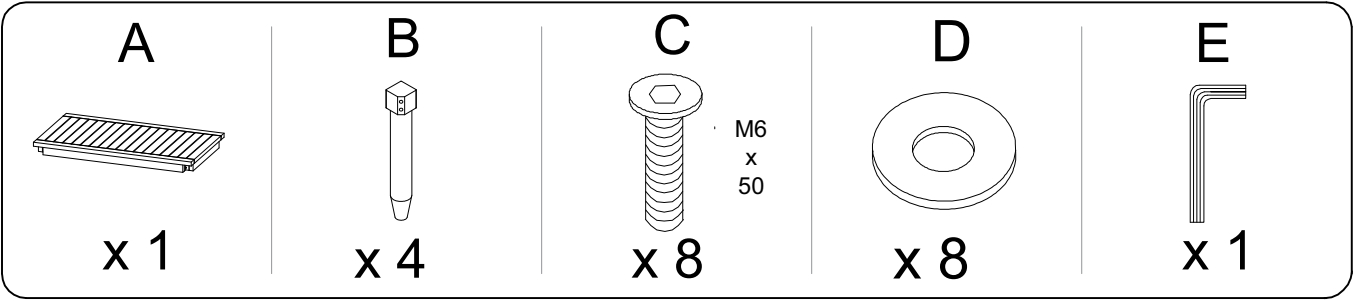


2

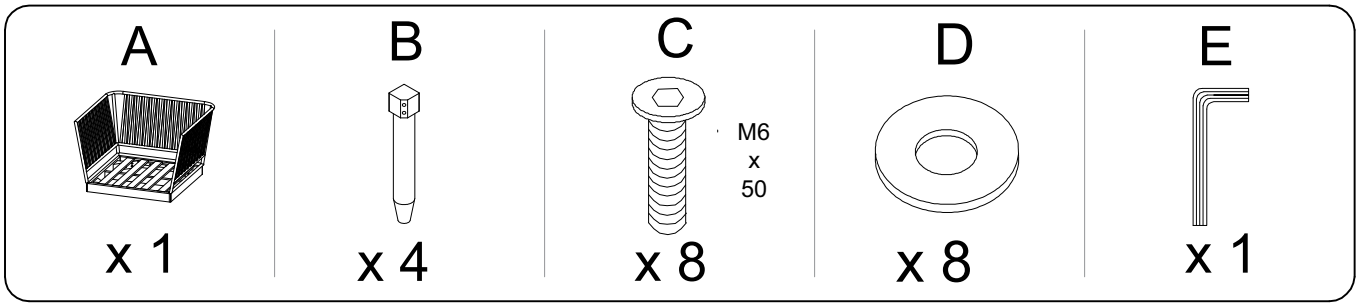
A



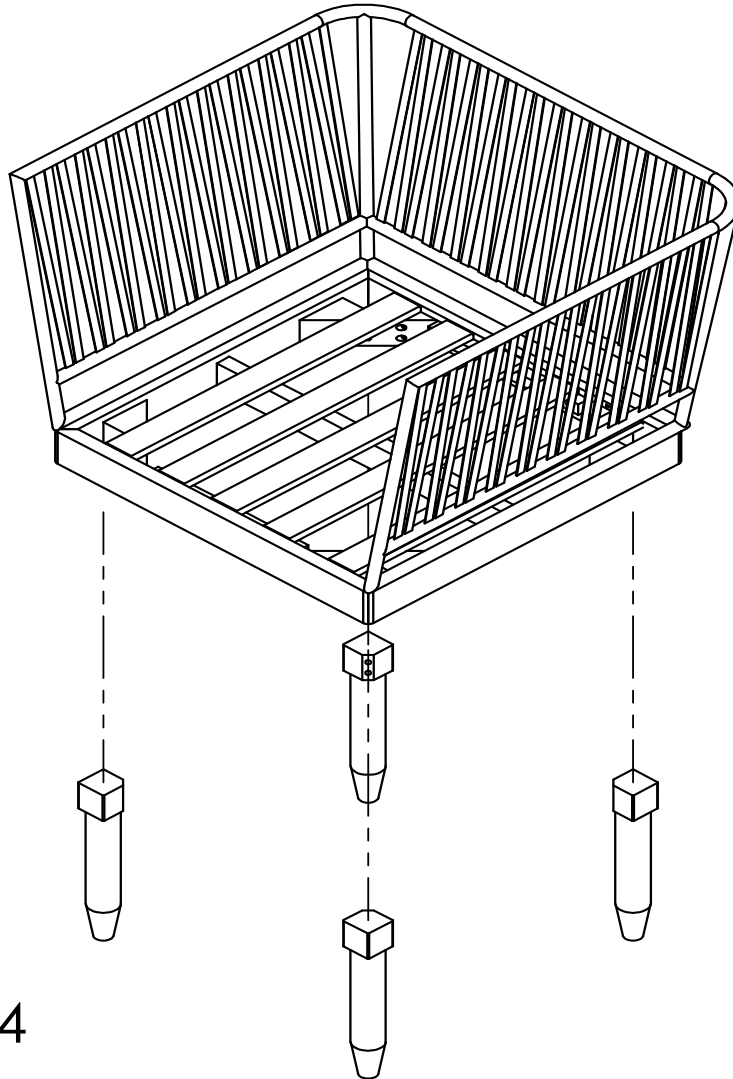
1



B

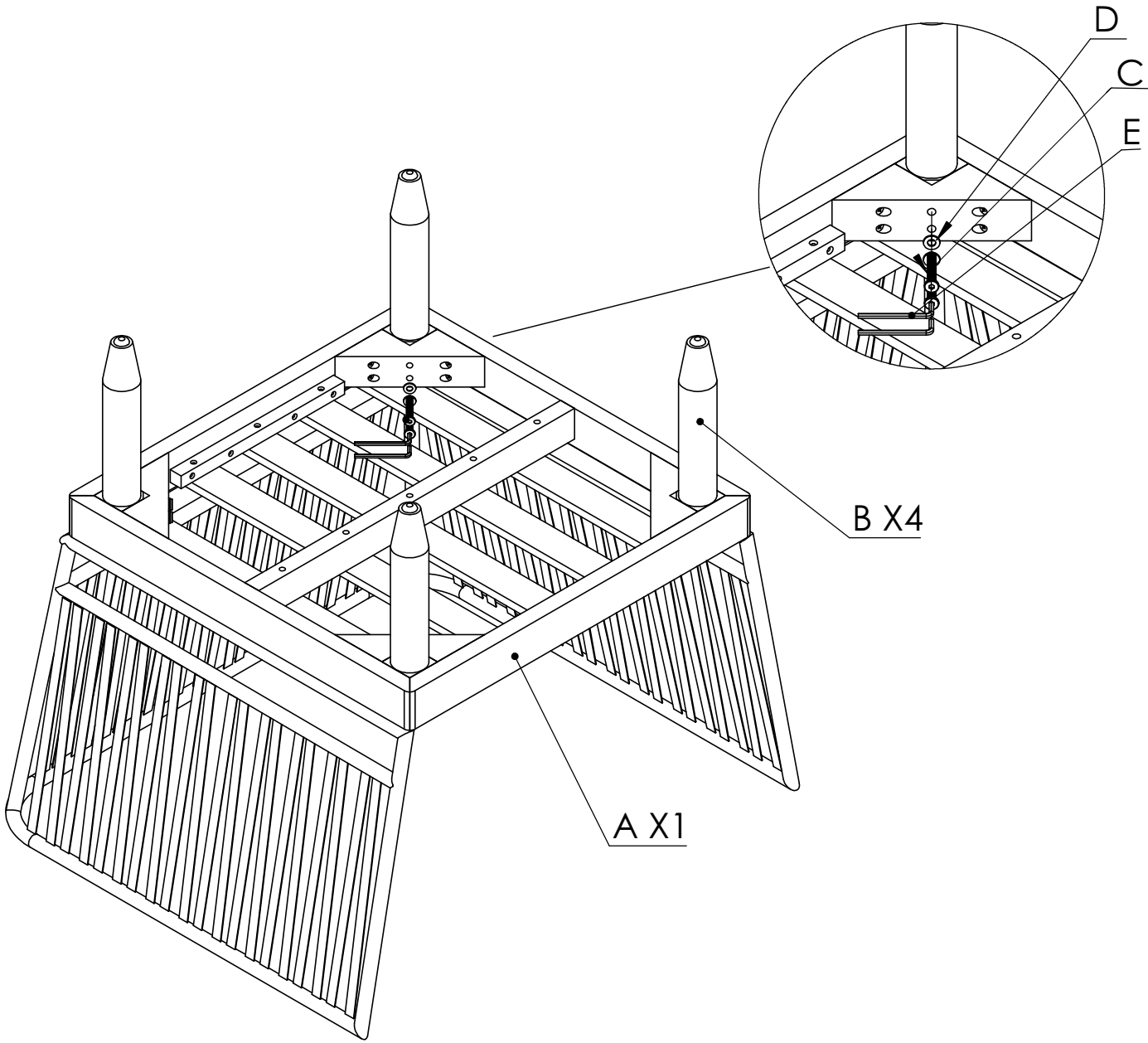
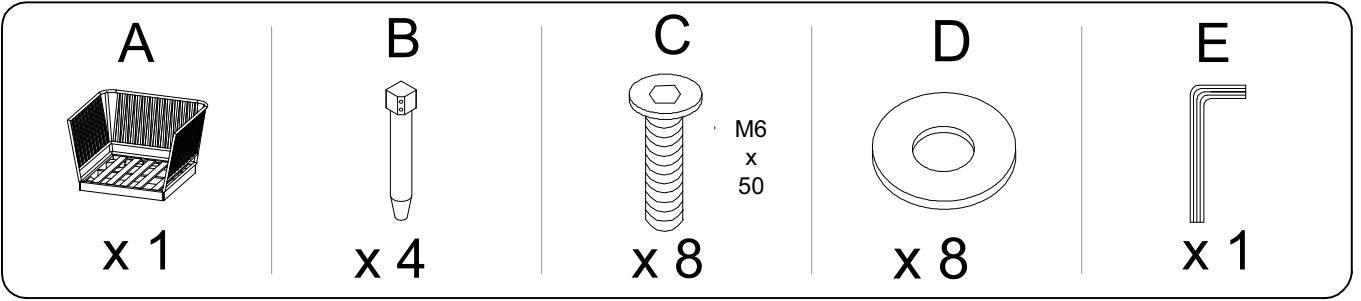


A

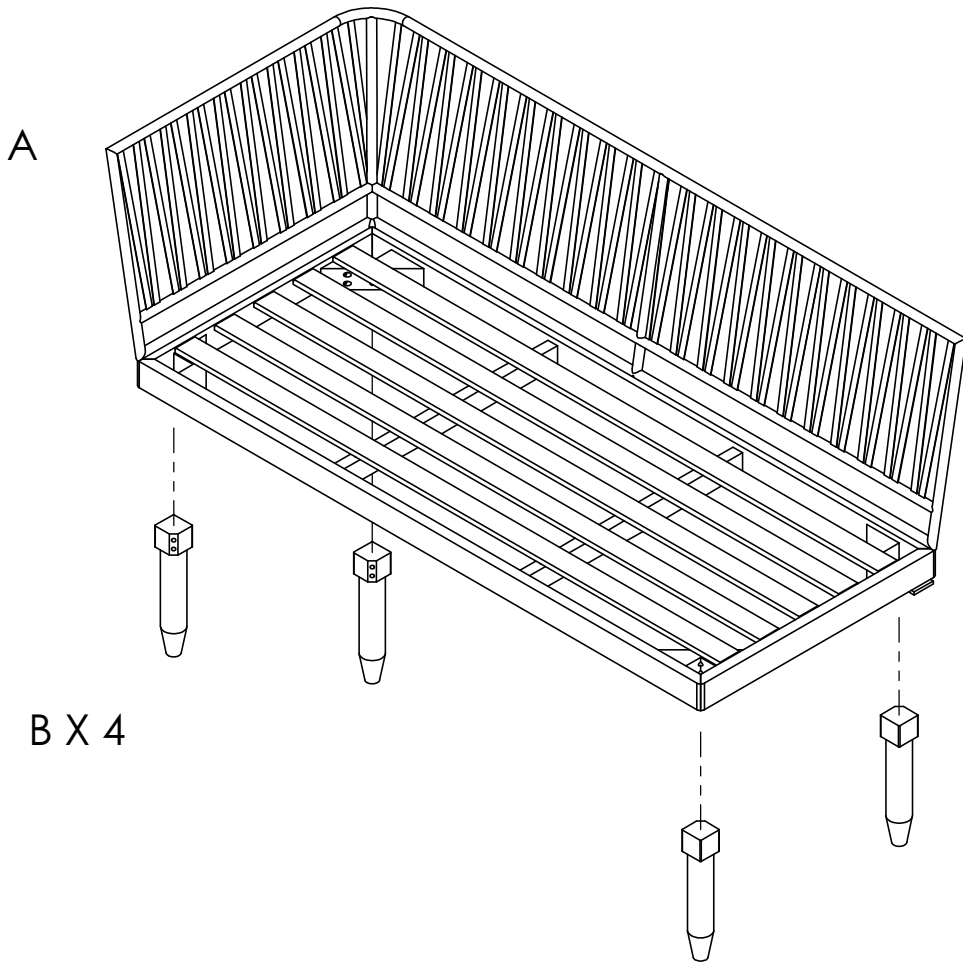
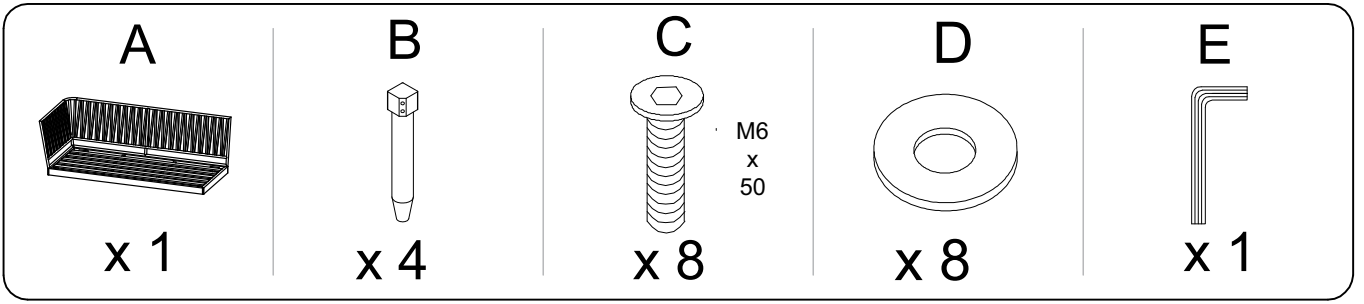


B X 4

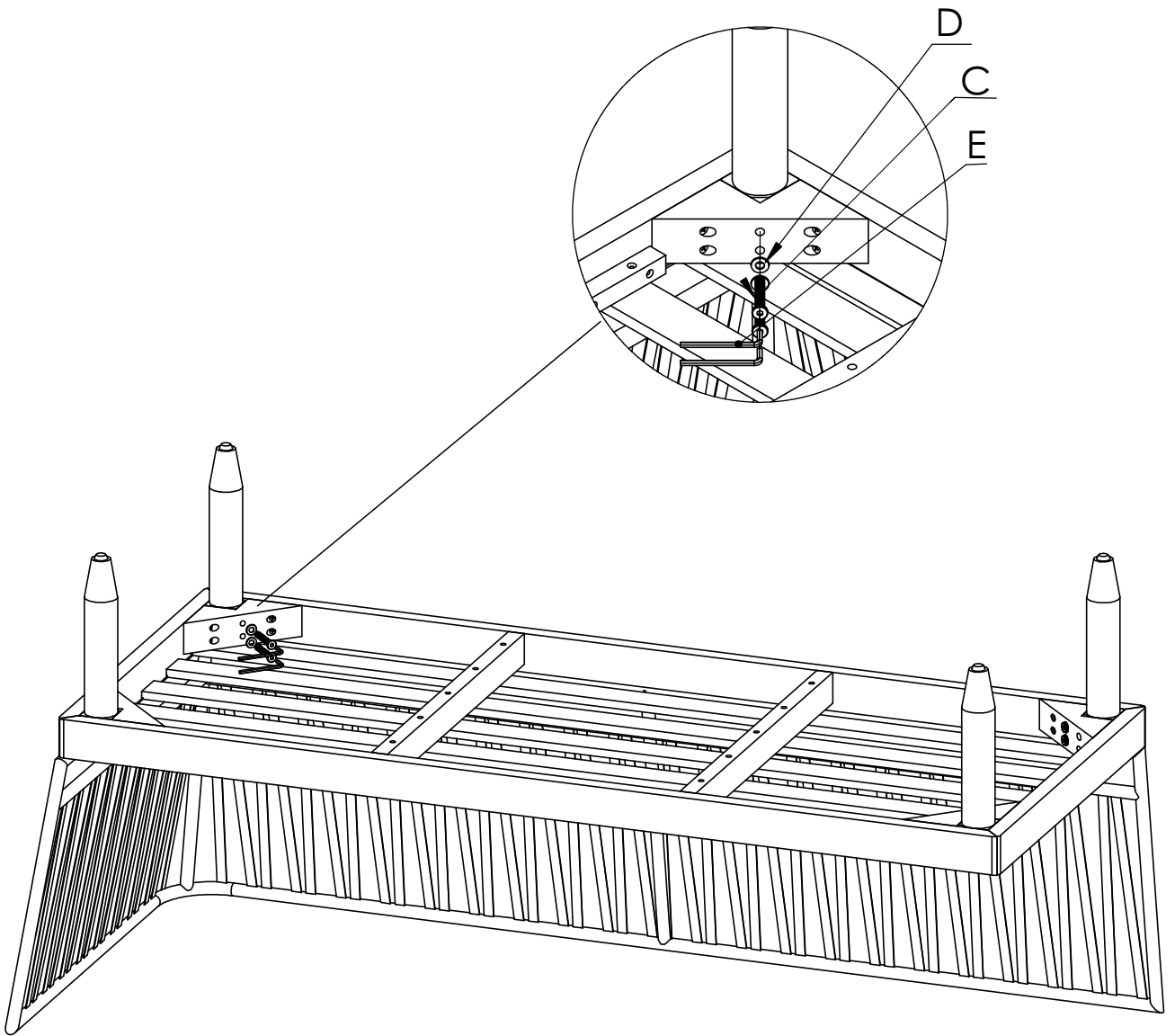
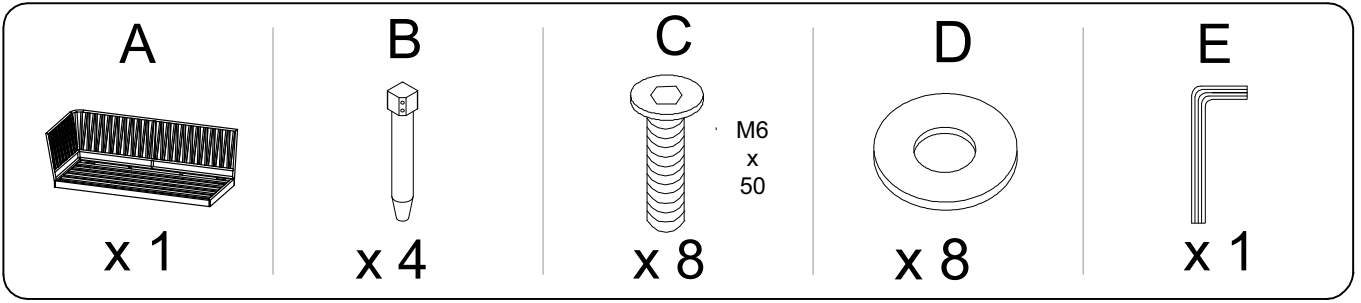
1



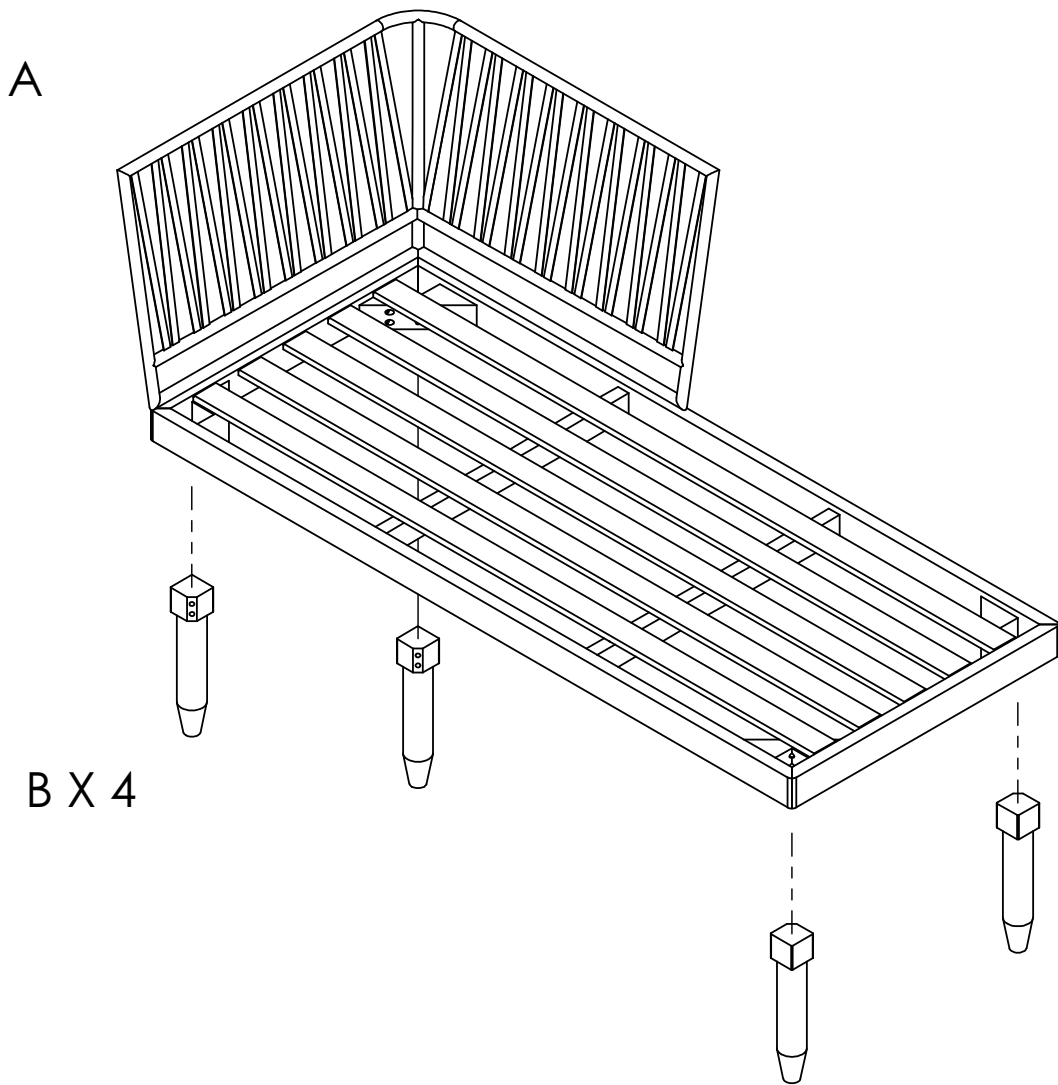
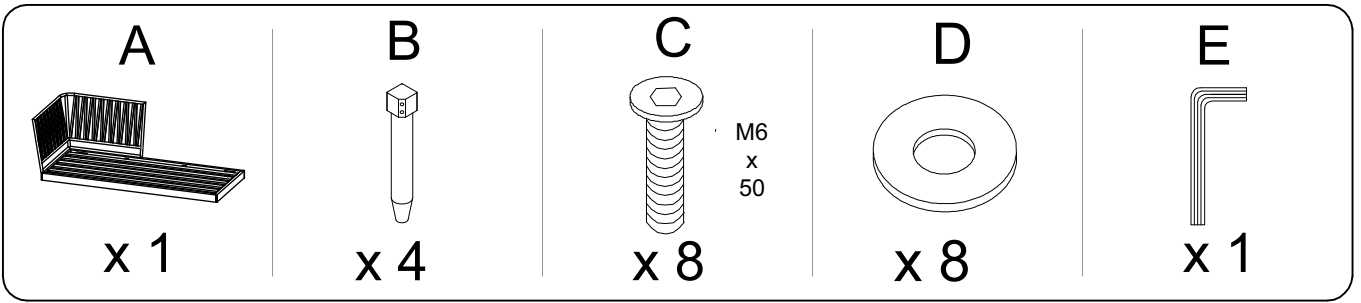
C



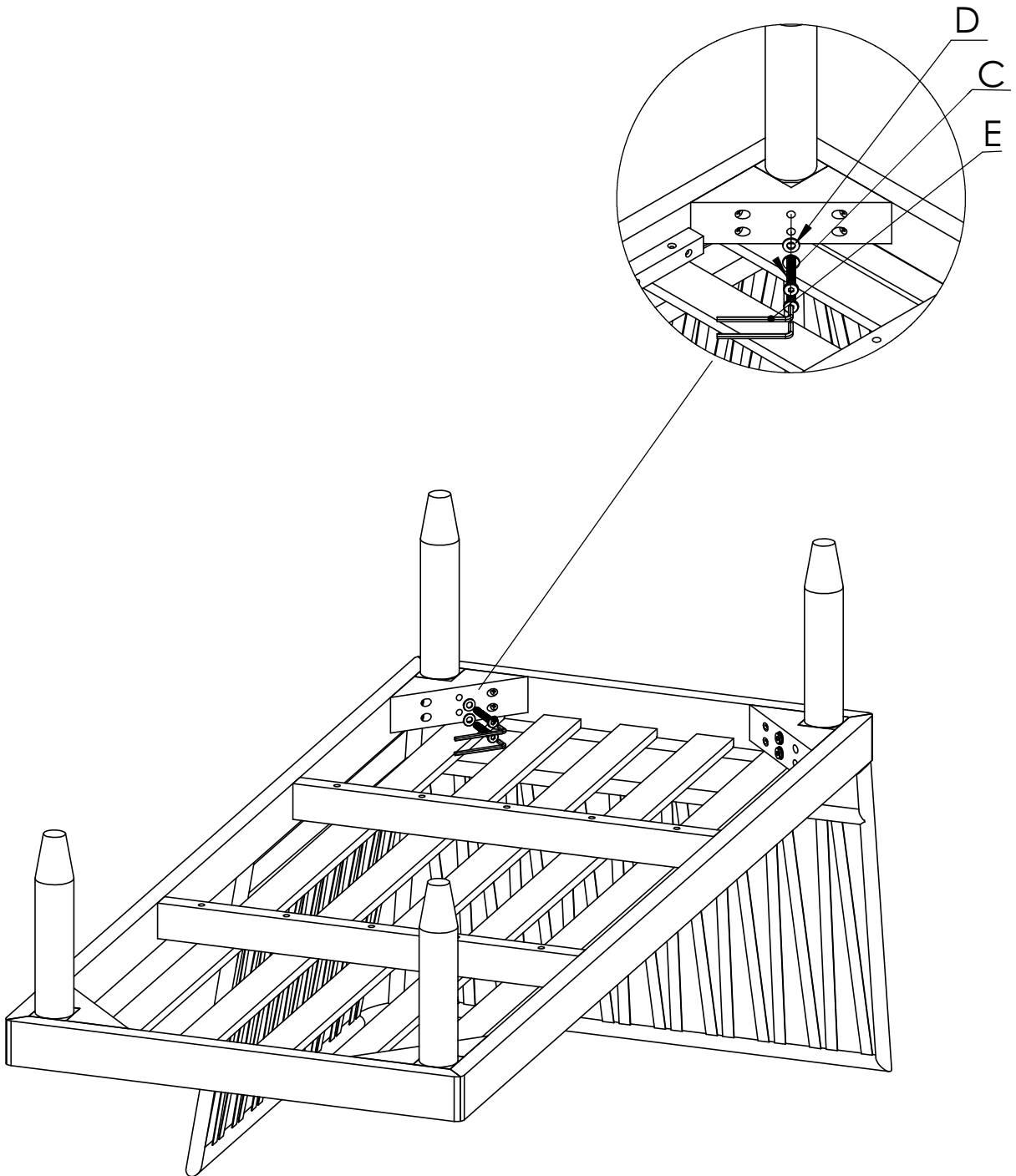
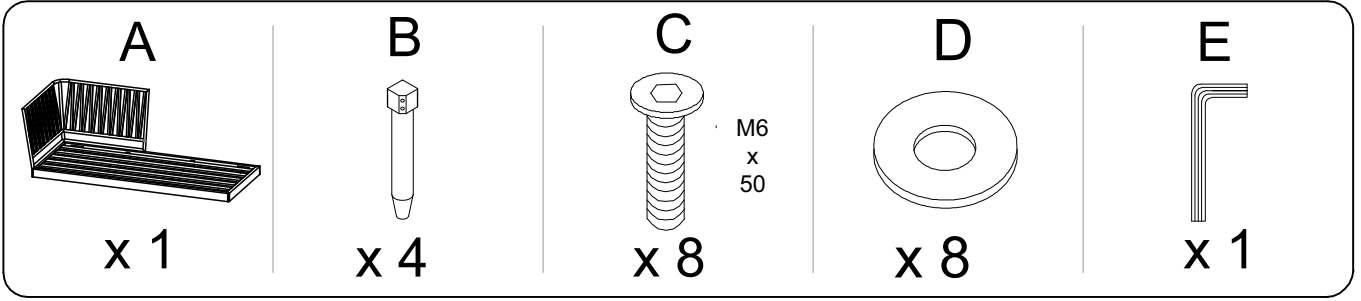
1



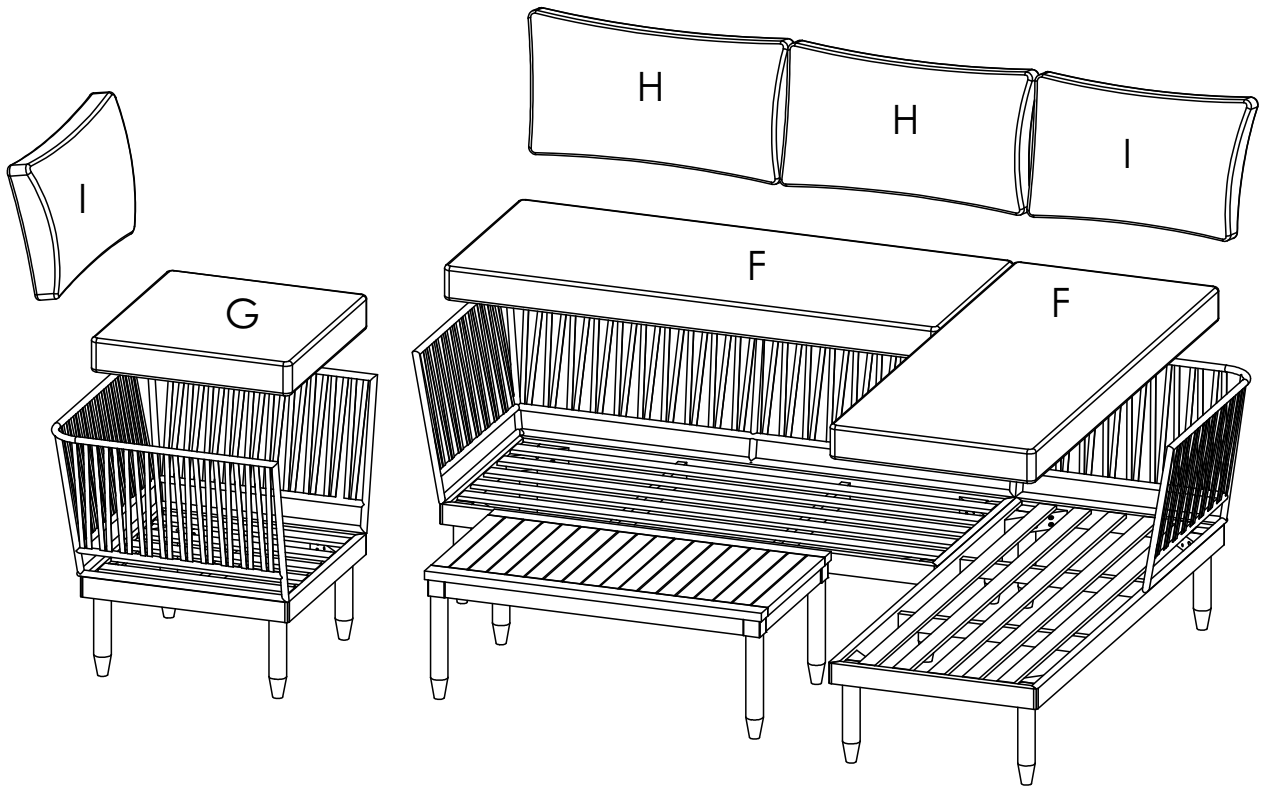
D



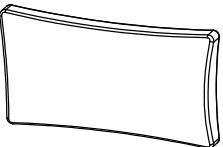
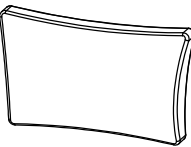



1



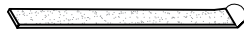
F x 2
G x 1
I x 2
H x 2



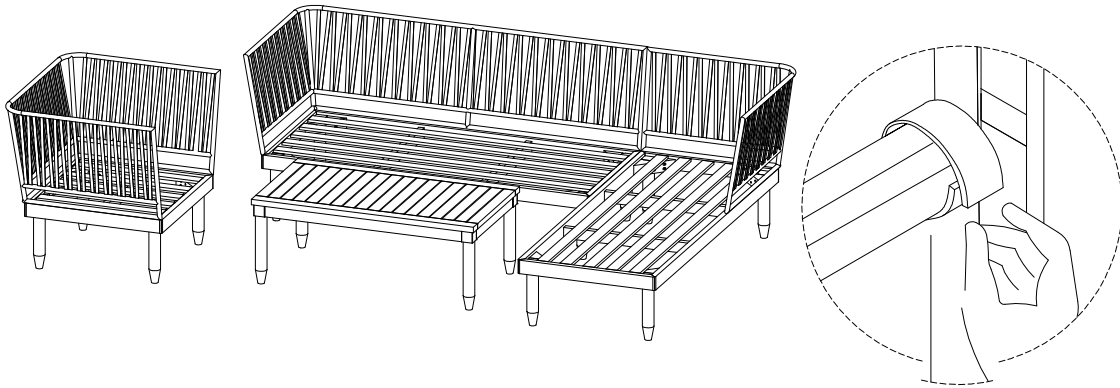
F	G	H	I	J
				
X 2	X 1	X 2	X 2	X 2

1

J



x 2



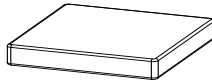
2

F



x 2

G



x 1

H



x 2

I



x 2

