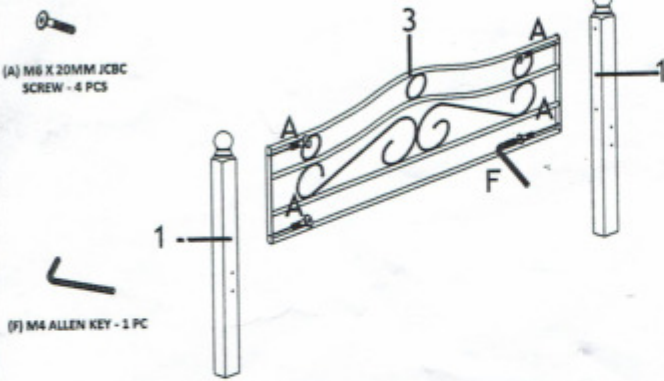


ASSEMBLY INSTRUCTION

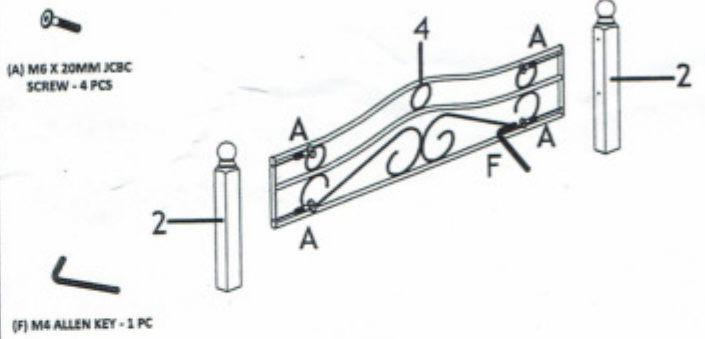
MODEL : HOME 803 QUEEN BED - 4 PCS WOODEN SUPPORT LEGS

Before you begin, please follow Assembly Instruction carefully. Follow them step by step.

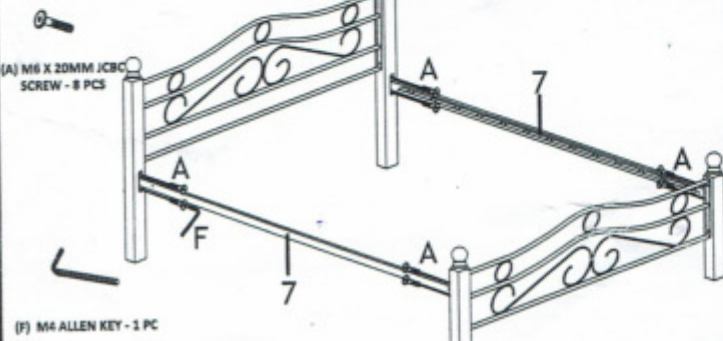
STEP 1



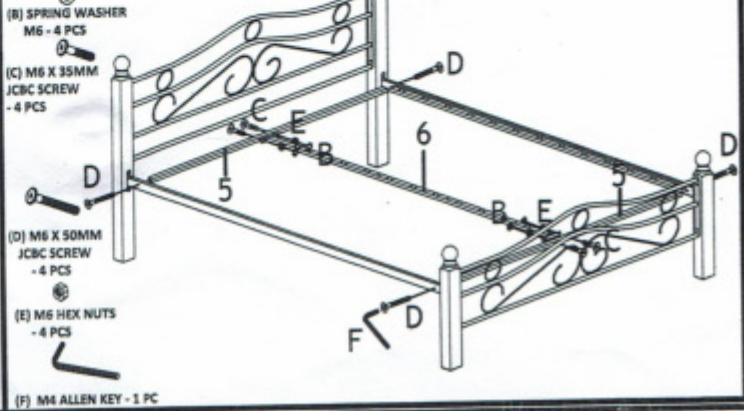
STEP 2



STEP 3



STEP 4

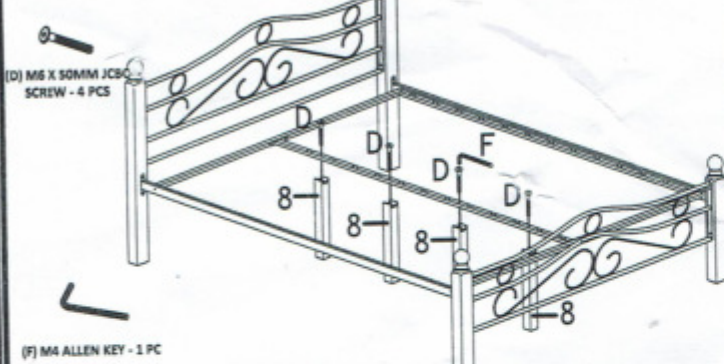


ASSEMBLY INSTRUCTION

MODEL : HOME 803 QUEEN BED - 4 PCS WOODEN SUPPORT LEGS

Before you begin, please follow Assembly Instruction carefully. Follow them step by step.

STEP 5



PART LIST

1) HEAD POST X 2 PCS	2) FOOT POST X 2 PCS	6) CENTER RAIL X 1PC
3) HEADBOARD X 1 PC	4) FOOTBOARD X 1 PC	7) METAL SIDE RAIL (WITH 26 HOLES) X 2 PCS
5) MIDDLE RAIL X 2 PCS	8) WOODEN CENTER SUPPORT LEGS X 4 PCS	

HARDWARE LIST

(A) M6 X 20MM JCBC SCREW - 16 PCS	(D) M6 X 50MM JCBC SCREW - 8 PCS
(B) SPRING WASHER M6 X 4 PCS	(E) M6 HEX NUTS - 4 PCS
(C) M6 X 35MM JCBC SCREW - 4 PCS	(F) M4 ALLEN KEY - 1 PC

