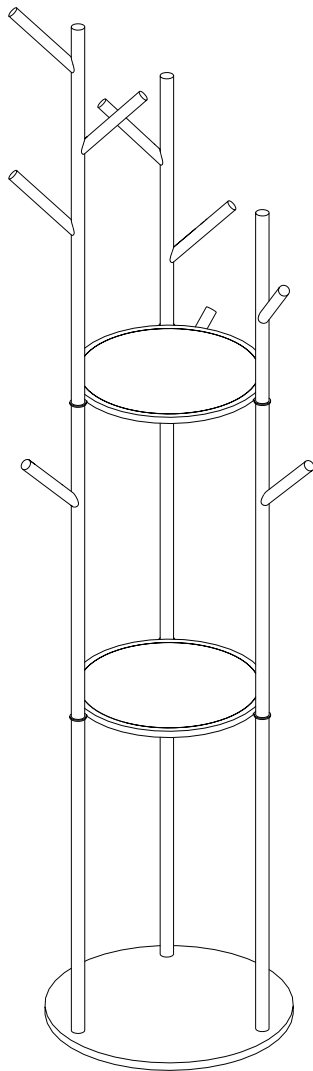


Installation Manual

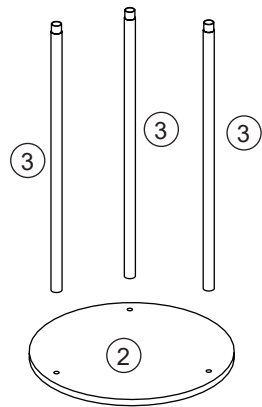
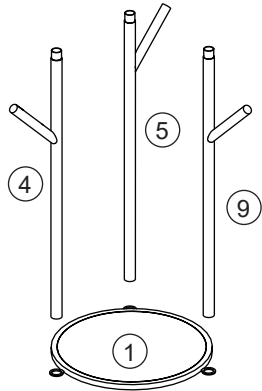
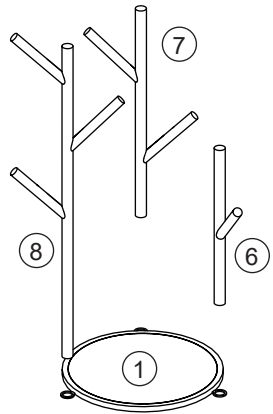


UNIT MM

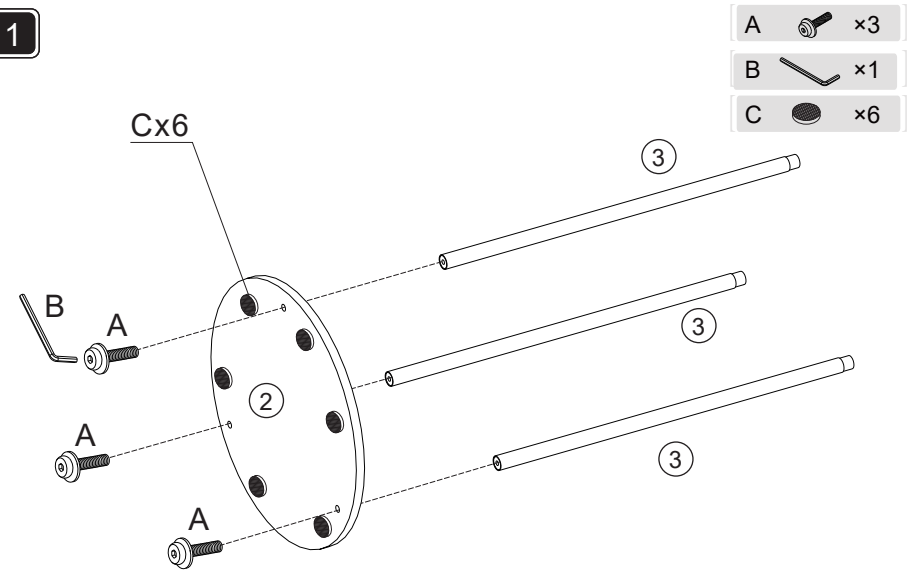
①	x2pcs	②	x1pc	③	x3pcs	④	x1pc
⑤	x1pc	⑥	x1pc	⑦	x1pc	⑧	x1pc
⑨	x1pc						

UNIT MM

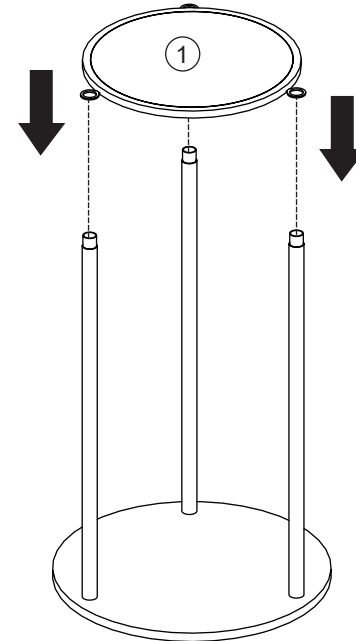
A	M8x3pcs	B	x1pc	C	x6pcs		
		M4					



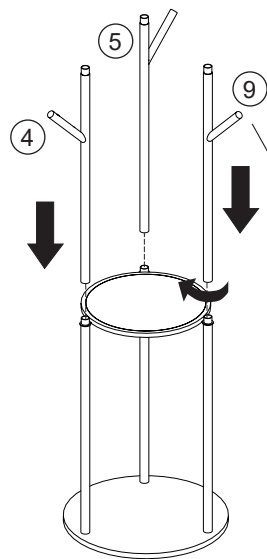
1



2

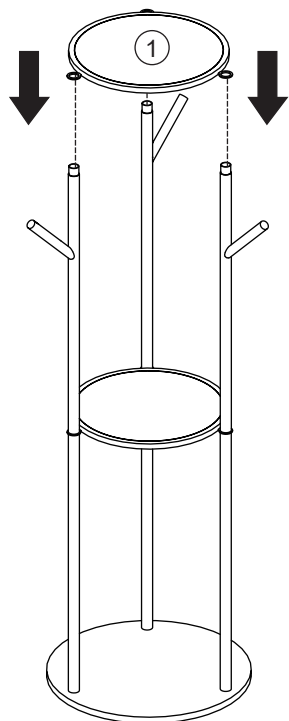


3



Attention:
Turn all forks outward before
tightening the screws

4



5

