
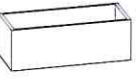





ASSEMBLY INSTRUCTION

No.	1	2	A	B	C
Parts					
Qty	1pc	6 pcs	24pcs	4pcs	1pc

