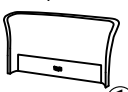
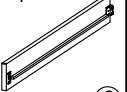







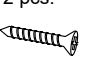



ASSEMBLY INSTRUCTIONS

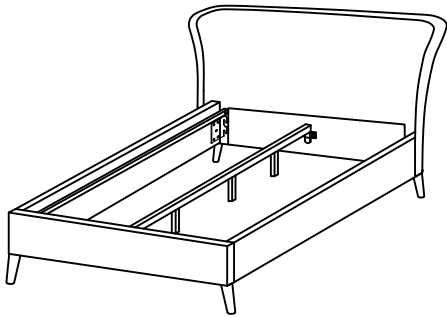
MODEL : BD170-FS

COMPONENT

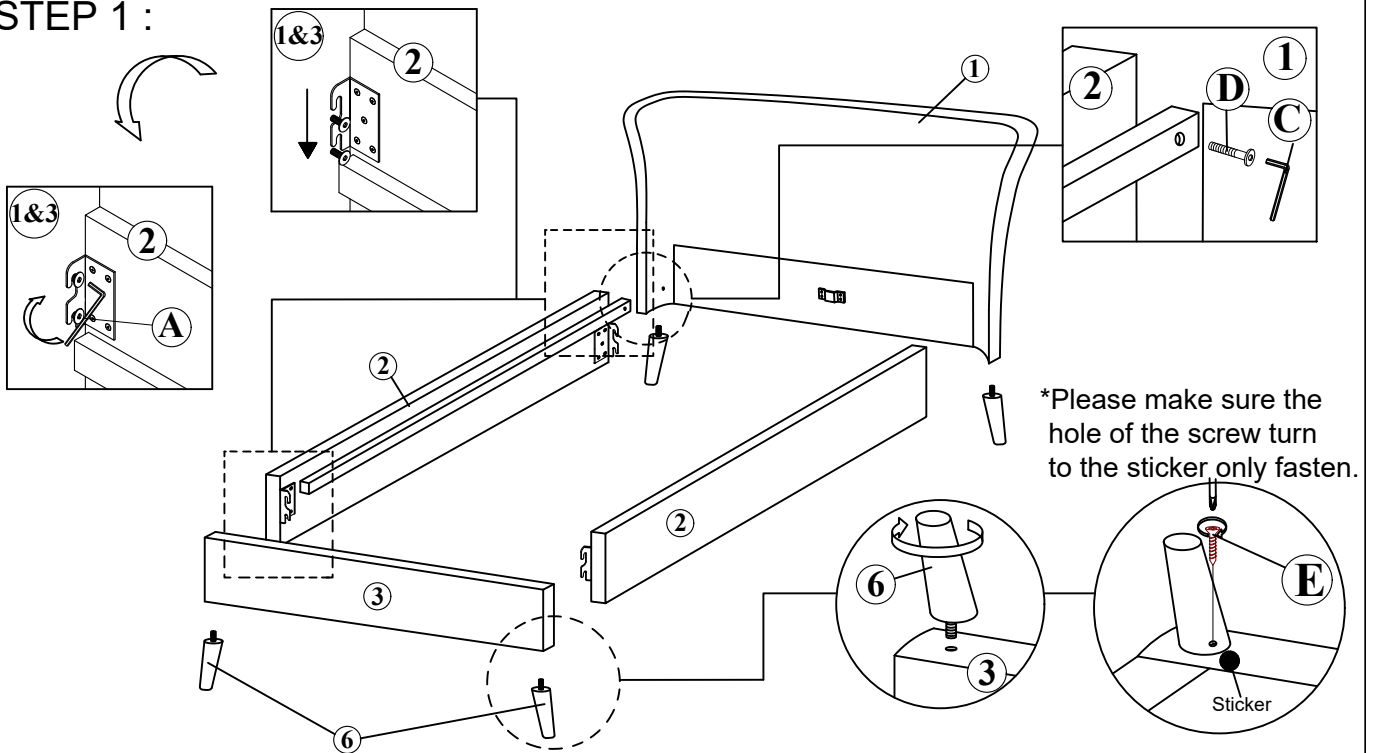
Headboard - 1 pc. 	Side Rail - 2 pcs. 	Footboard - 1 pc. 	Center Rail - 1 pc. 	Center Support Leg - 3 pcs. 	Bed Leg - 4 pcs. 
①	②	③	④	⑤	⑥

HARDWARE

Allen Key M5 - 1 pc. 	Wood Screw M4 x 20mm - 2 pcs. 	Allen Key M4 - 1 pc. 	JCBC Bolt M6 x 35mm - 2 pcs. 	Wood Screw M4 x 40mm - 4 pcs. 
Ⓐ	Ⓑ	Ⓒ	Ⓓ	Ⓔ

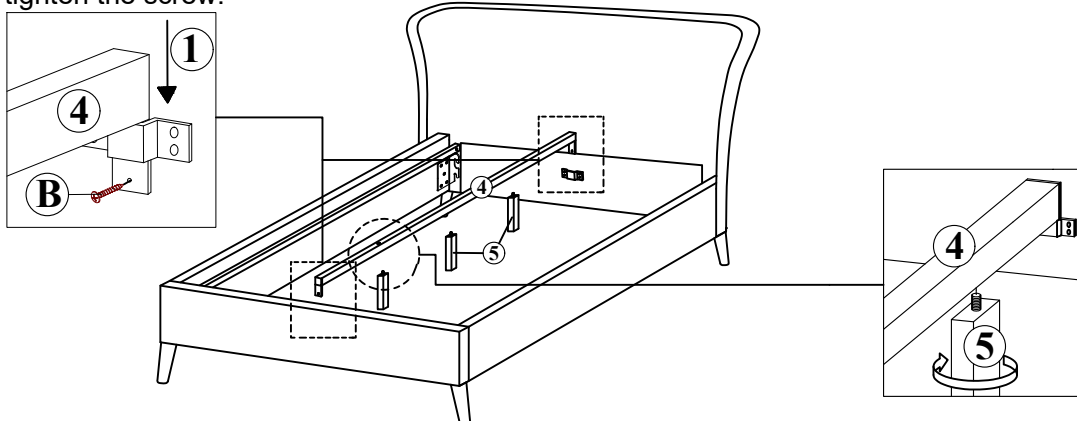


STEP 1 :



STEP 2 :

This part must tighten the screw.



IMPORTANTPlease lift up the bed to move with 2 or more people.**DO NOT DRAG THE BED!**