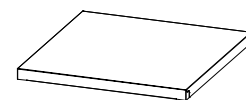
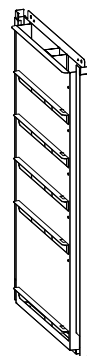
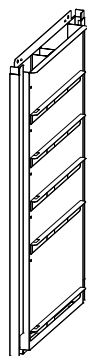
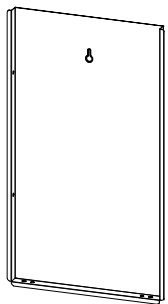
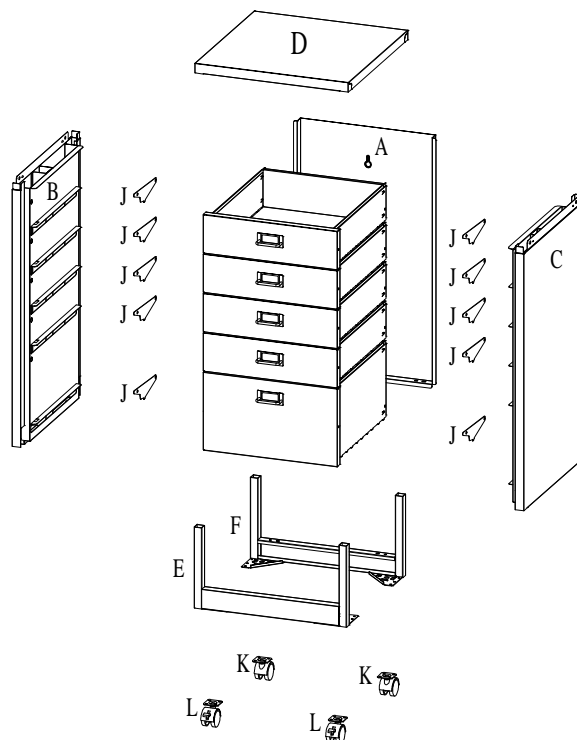
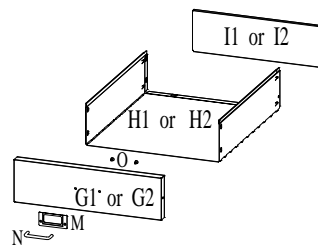
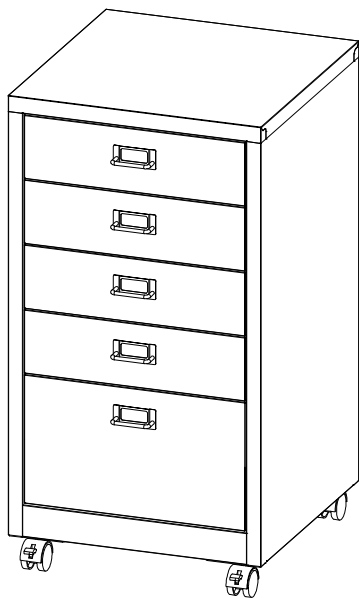


#99456 #99457 #99458  
 Rollcontainer HWC-L49

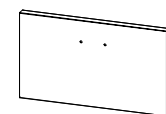
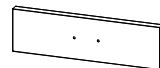
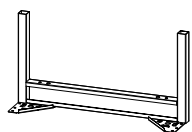


-A  
 -1 pcs  
 -63.85×35.3cm  
 -Name: back panel, linke Rückwand

-B  
 -1 pcs  
 -68.9×41cm  
 -Name: left side, linke Seitenwand

-C  
 -1 pcs  
 -68.9×41cm  
 -Name: right side, linke Seitenwand

-D  
 -1 pcs  
 -41.05×40.07cm  
 -Name: top, Schrankdeckel

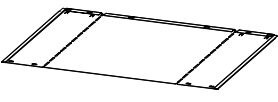
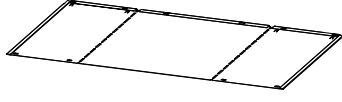
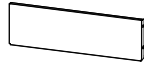
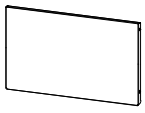
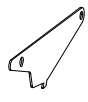
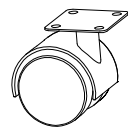
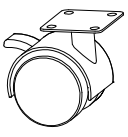
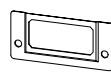



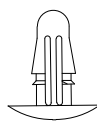

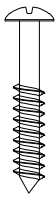
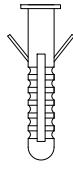




-E  
 -1 pcs  
 -21×39.8cm  
 -Name: supporting, Stützrahmen

-F  
 -1 pcs  
 -21×39.8cm  
 -Name: supporting, Stützrahmen

-G1  
 -4 pcs  
 -10×35cm  
 -Name: drawer panel, vordere  
 Schubladenblenden

-G2  
 -1 pcs  
 -20.2×35cm  
 -Name: drawer panel, - bigger  
 vordere Schubladenblenden

 <p>-H1 -4 pcs -38×51cm -Name: drawer plate, Schubladenboden</p>	 <p>-H2 -1 pcs -38×71.4cm -Name: drawer plate, - bigger Schubladenboden</p>	 <p>-I1 -4 pcs -9.7×31.3cm -Name: back panel of drawer, hintere Schubladenblenden</p>
 <p>-I2 -1 pcs -19.9×31.3cm -Name: back panel of drawer, - bigger hintere Schubladenblenden</p>	 <p>-J -10 pcs -4.08×15.5cm -Name: metal sheet to prevent derailment</p>	 <p>-K -2 pcs -5.5×4.0cm -Name: wheels, Rollen Stück</p>
 <p>-L -2 pcs -5.5×4.0cm -Name: the brake wheels, Bremsrollen Stück</p>	 <p>-M -5 pcs -3.08×6.65cm -Name: card holder</p>	 <p>-N -5 pcs -2.05×6.15cm -Name: handle</p>
 <p>-O -10 pcs -0.4×0.5cm -Name: screws, Schrauben</p>	 <p>-P -12 pcs -0.4×1.2cm -Name: screws, Schrauben Stück</p>	 <p>-Q -12 pcs -∅1.3×1.2cm -Name: screws, Schrauben Stück</p>
 <p>-R -20 pcs -0.5×1.2cm -Name: screws, Schrauben Stück</p>	 <p>-S -1 pcs -0.5×4cm -Name: screws, Schrauben Stück</p>	 <p>-T -1 pcs -0.8×4cm -Name: screws, Schrauben Stück</p>
 <p>-U -20 pcs -cm -Name: screws, Schrauben Stück</p>	 <p>-V -10 pcs -cm -Name: screws, Schrauben Stück</p>	

Das Montageset ist am Inneren des Karton befestigt!

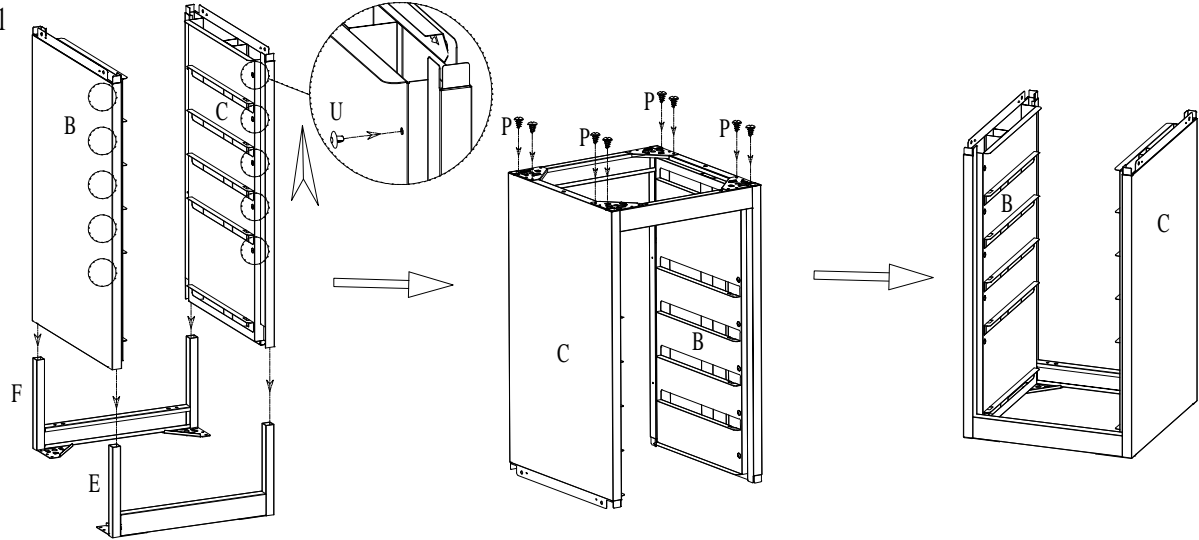
The assembly set is attached to the inside of the box!

Le kit de montage est fixé à l'intérieur du carton!

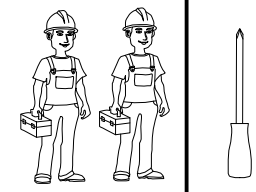
Il materiale per il montaggio è posizionato all'interno della scatola fissato con il nastro adesivo!

El material de montaje se coloca dentro de la caja fijado con cinta adhesiva!

Step 1

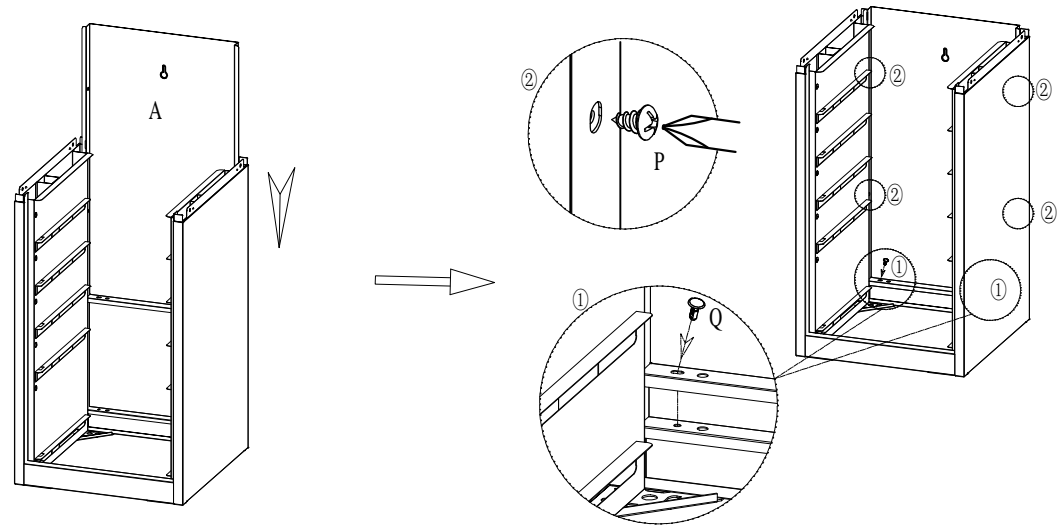


Need

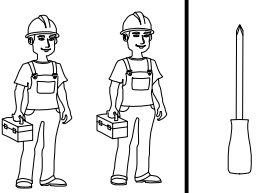


- Part B 1PCS
- Part C 1PCS
- Part E 1PCS
- Part F 1PCS
- Part P 8PCS
- Part U 10PCS

Step 2

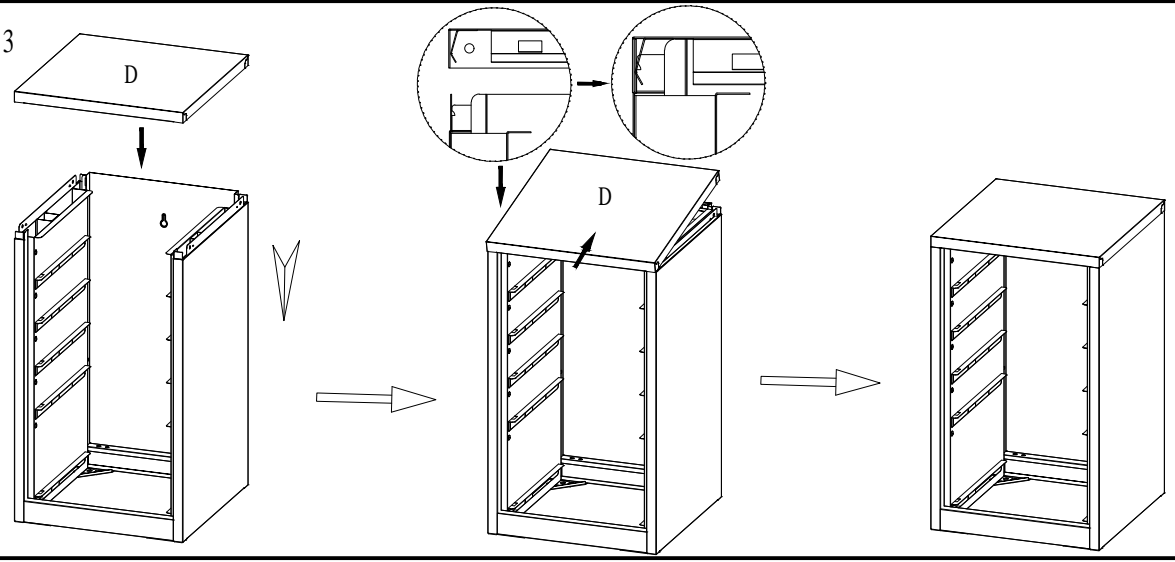


Need

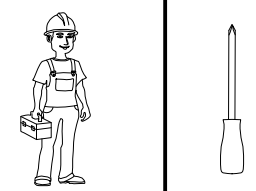


- Part A 1PCS
- Part Q 2PCS
- Part P 4PCS

Step 3

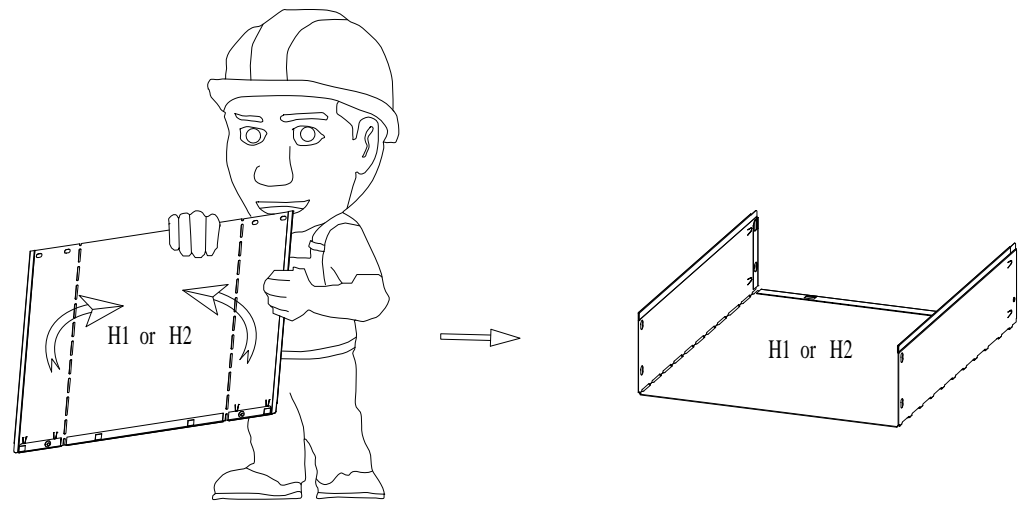


Need

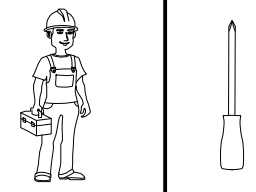


- Part D 1PCS

Step 4

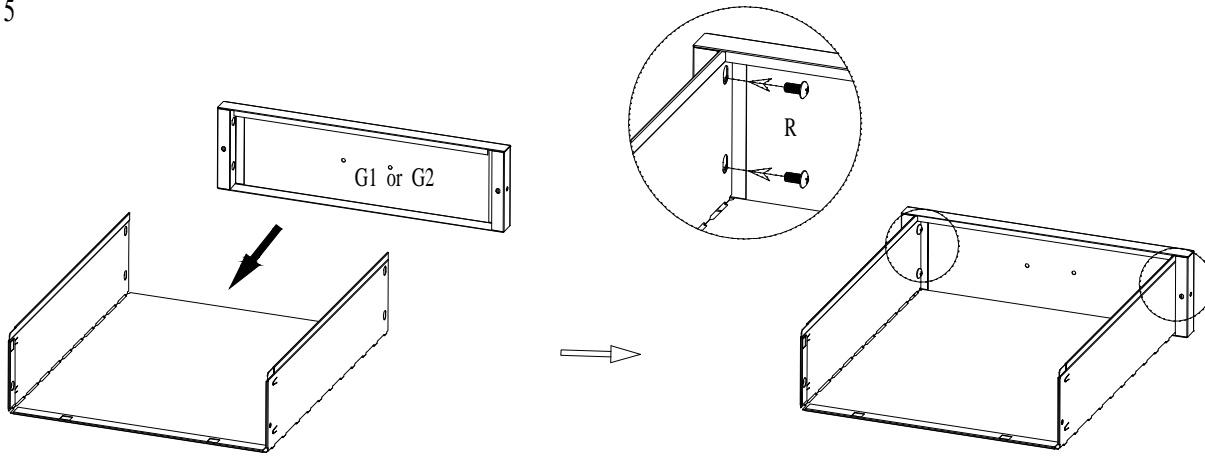


Need



- Part H1 4PCS
- Part H2 1PCS

Step 5

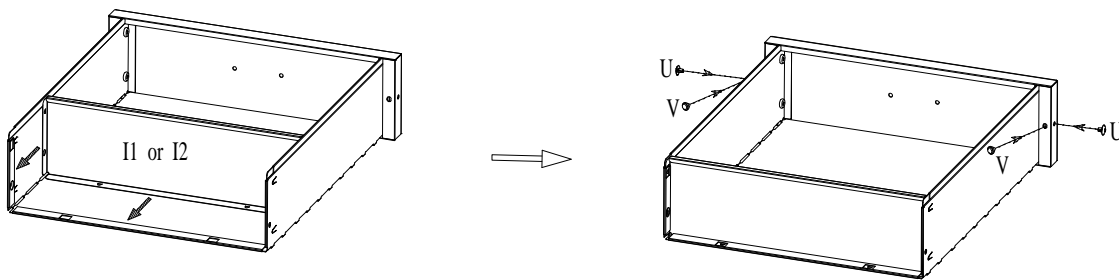


Need



- Part G1 4PCS
- Part G2 1PCS
- Part R 20PCS

Step 6

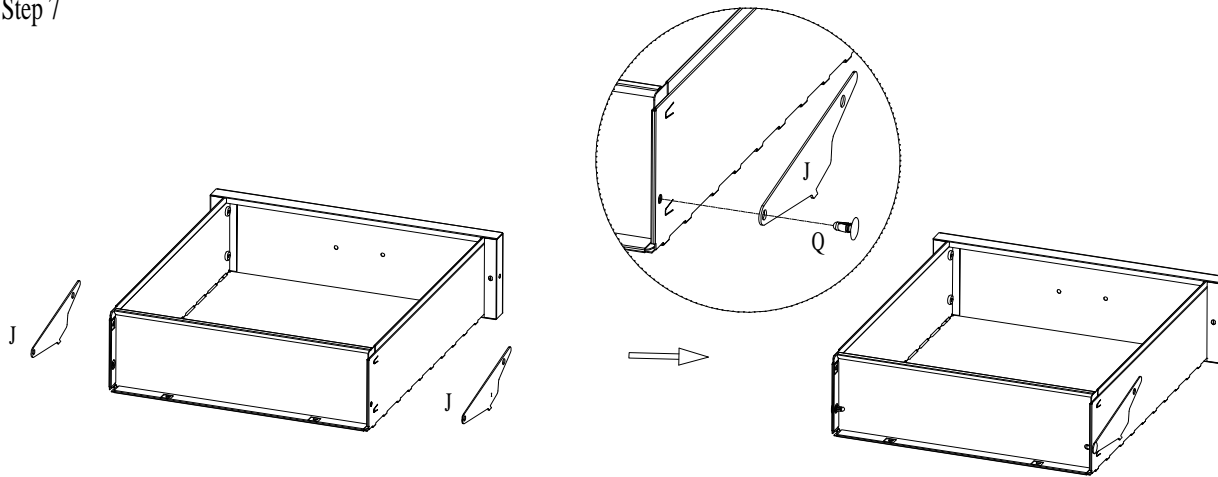


Need



- Part I1 4PCS
- Part I2 1PCS
- Part U 10PCS
- Part V 10PCS

Step 7

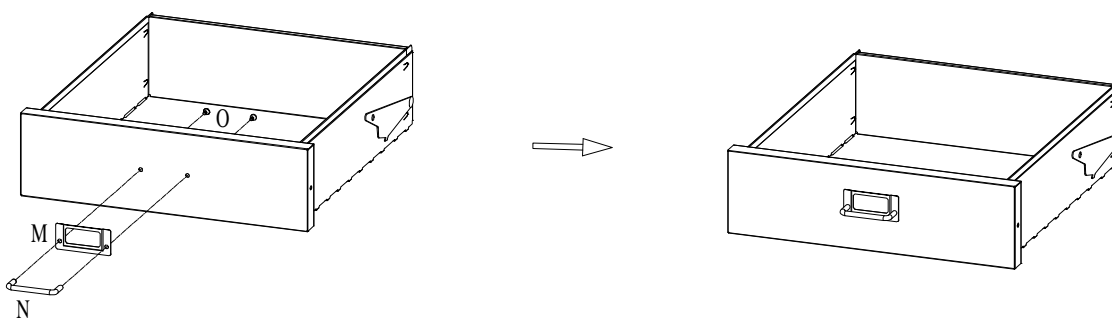


Need



- Part J 10PCS
- Part Q 10PCS

Step 8

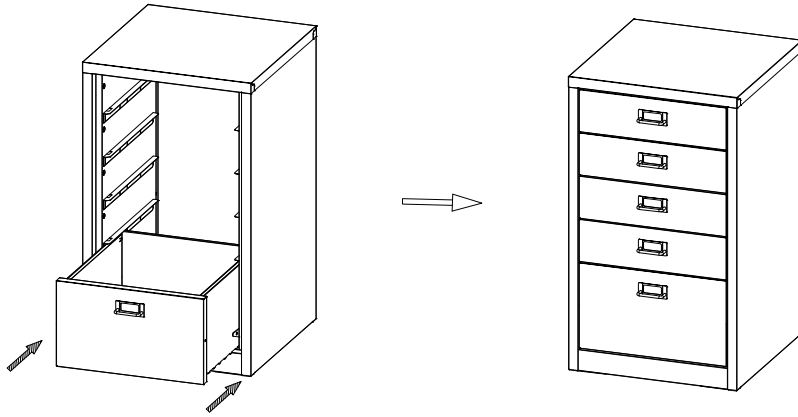


Need



- Part M 5PCS
- Part N 5PCS
- Part O 10PCS

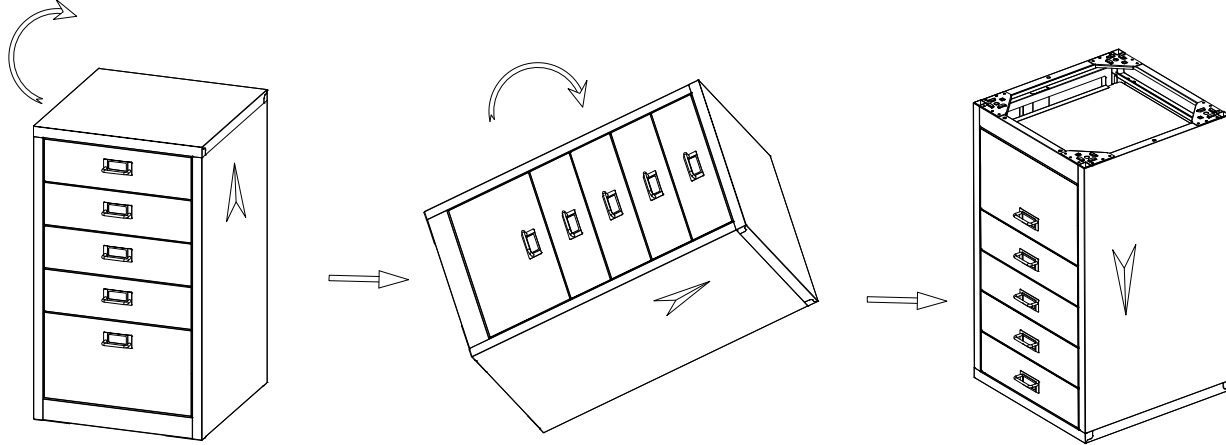
Step 9



Need



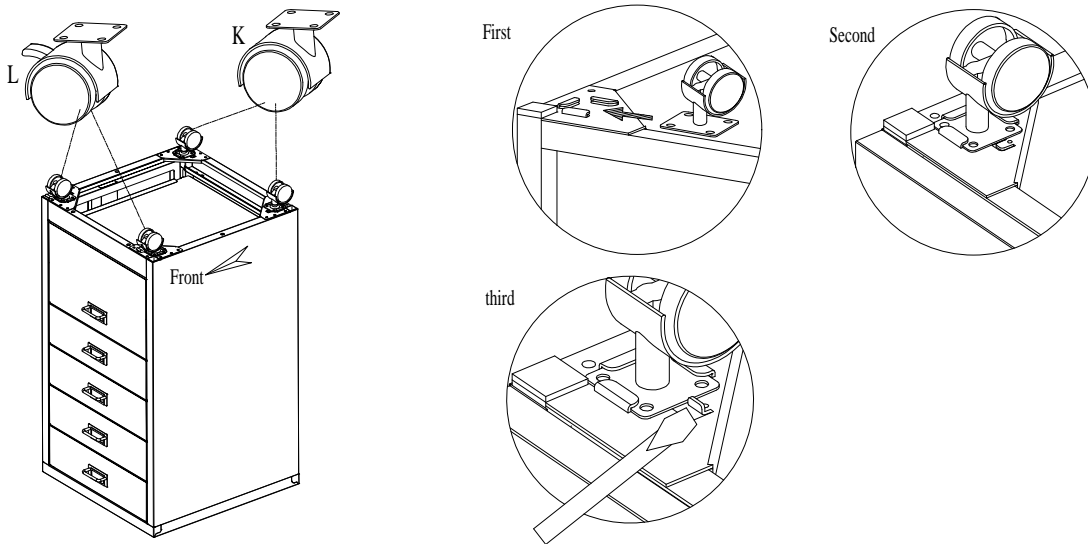
Step 10



Need



Step 11

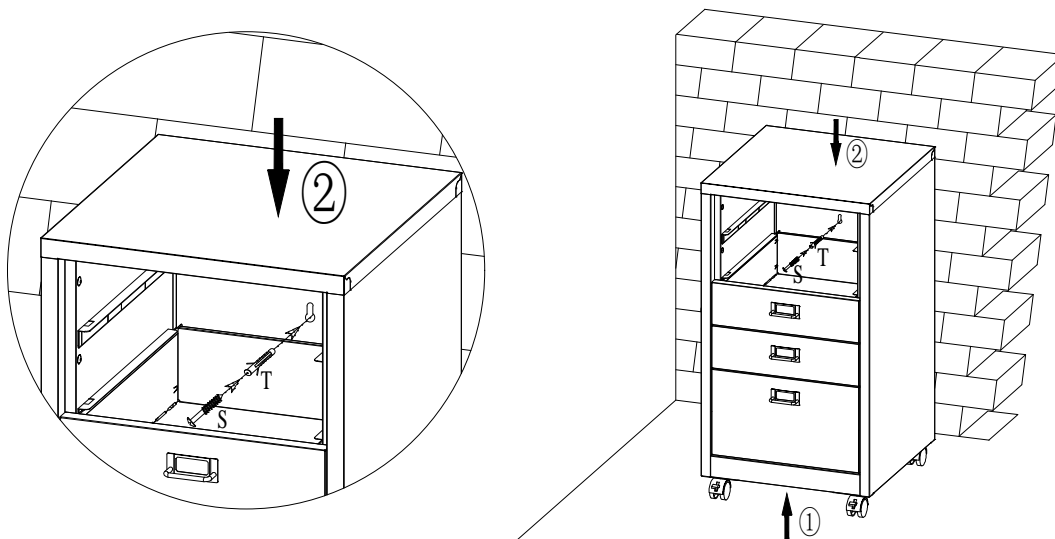


Need



Part K 2PCS  
Part L 2PCS

Step 12



Need



Part S 1PCS  
Part T 1PCS