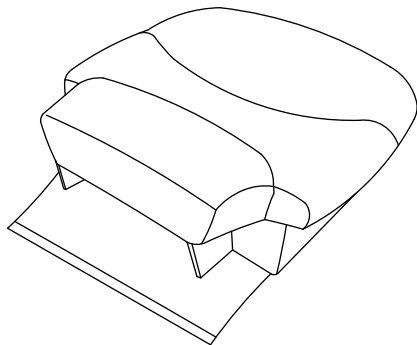
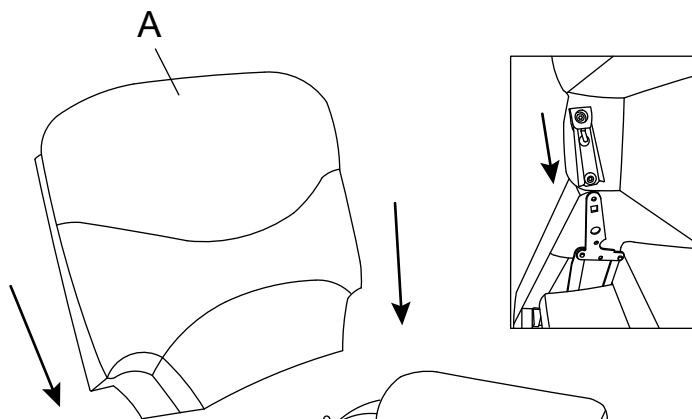


ASSEMBLY INSTRUCTION

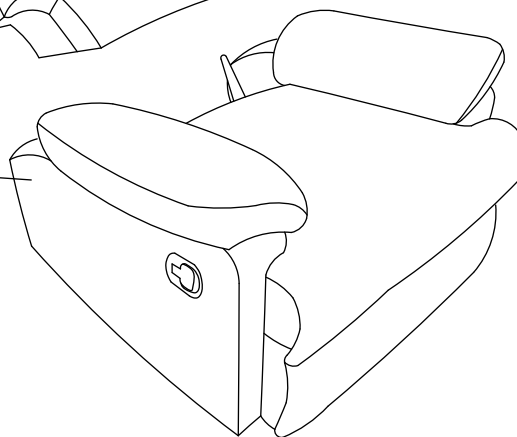
A×1



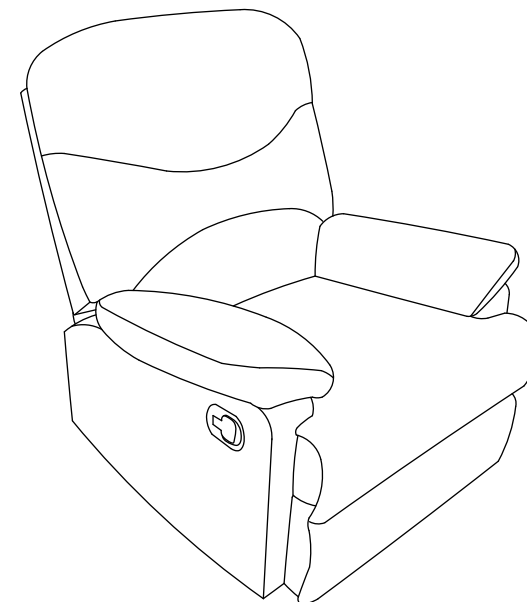
(1)



B



(2)



B×1

