
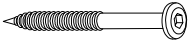
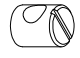

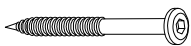
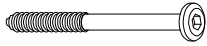
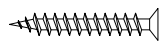

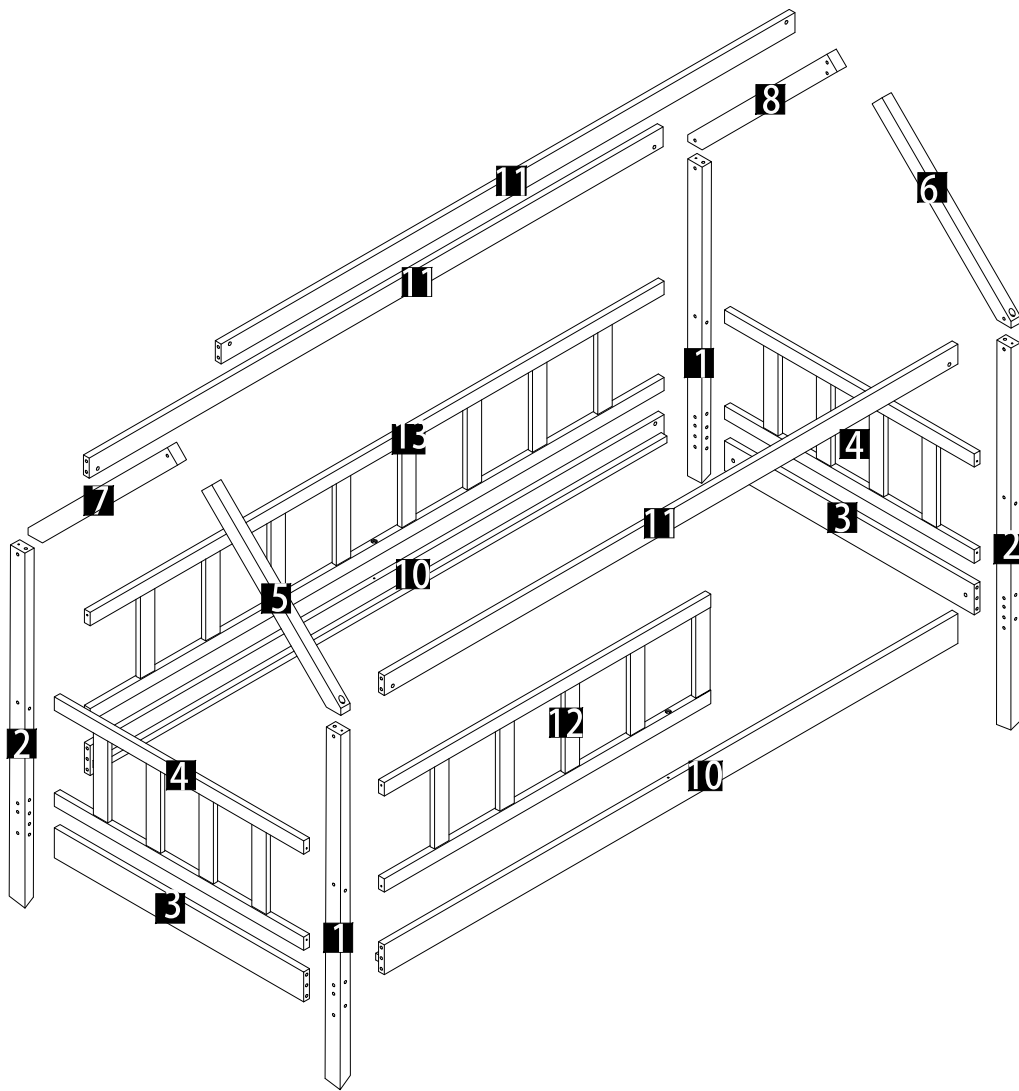
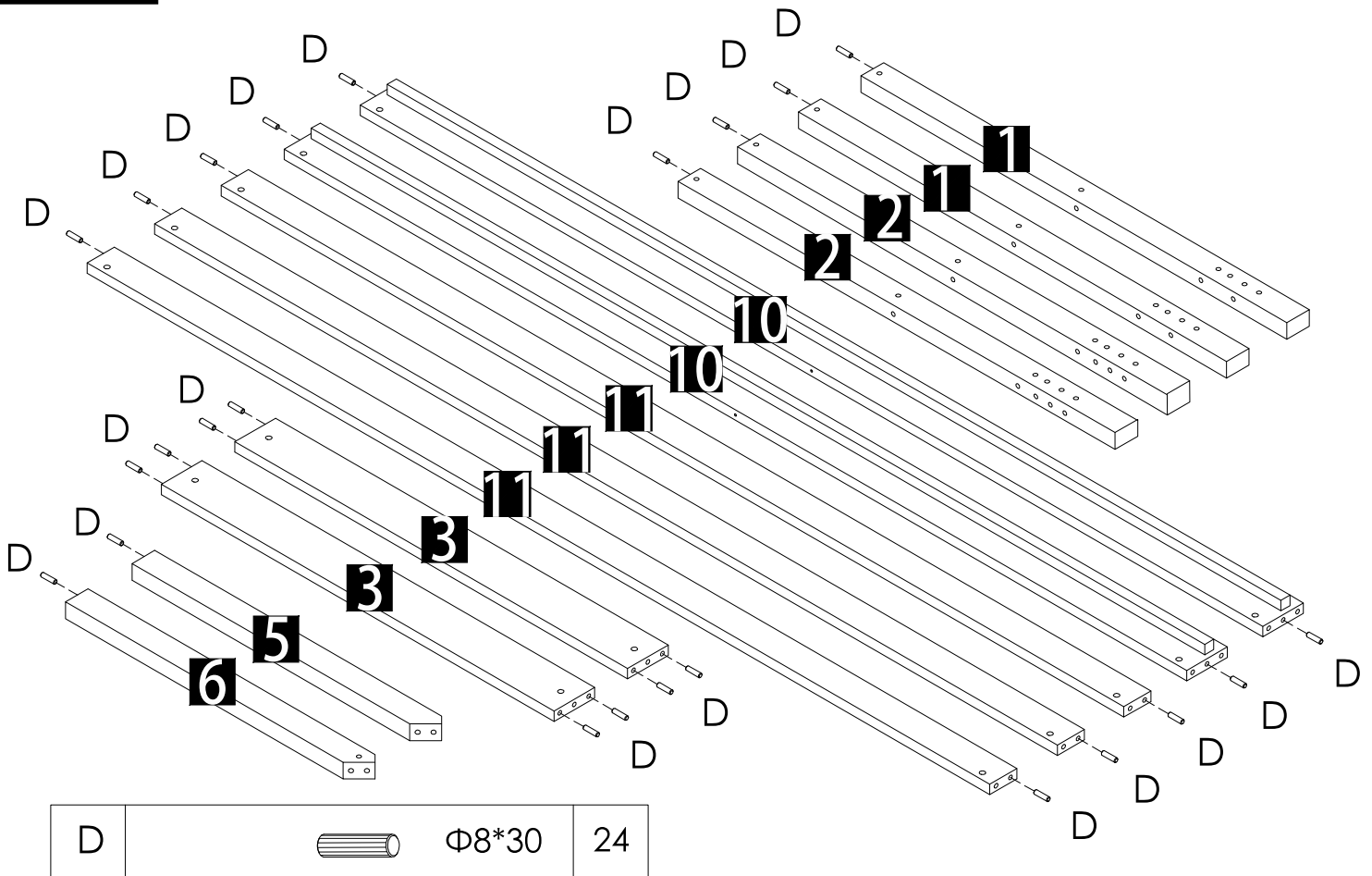



A		M6*90	4
B		Φ6*90	10
C			18
D		Φ8*30	24

E		Φ6*70	12
F		M6*70	14
G		4*30	26
H		4 mm	1

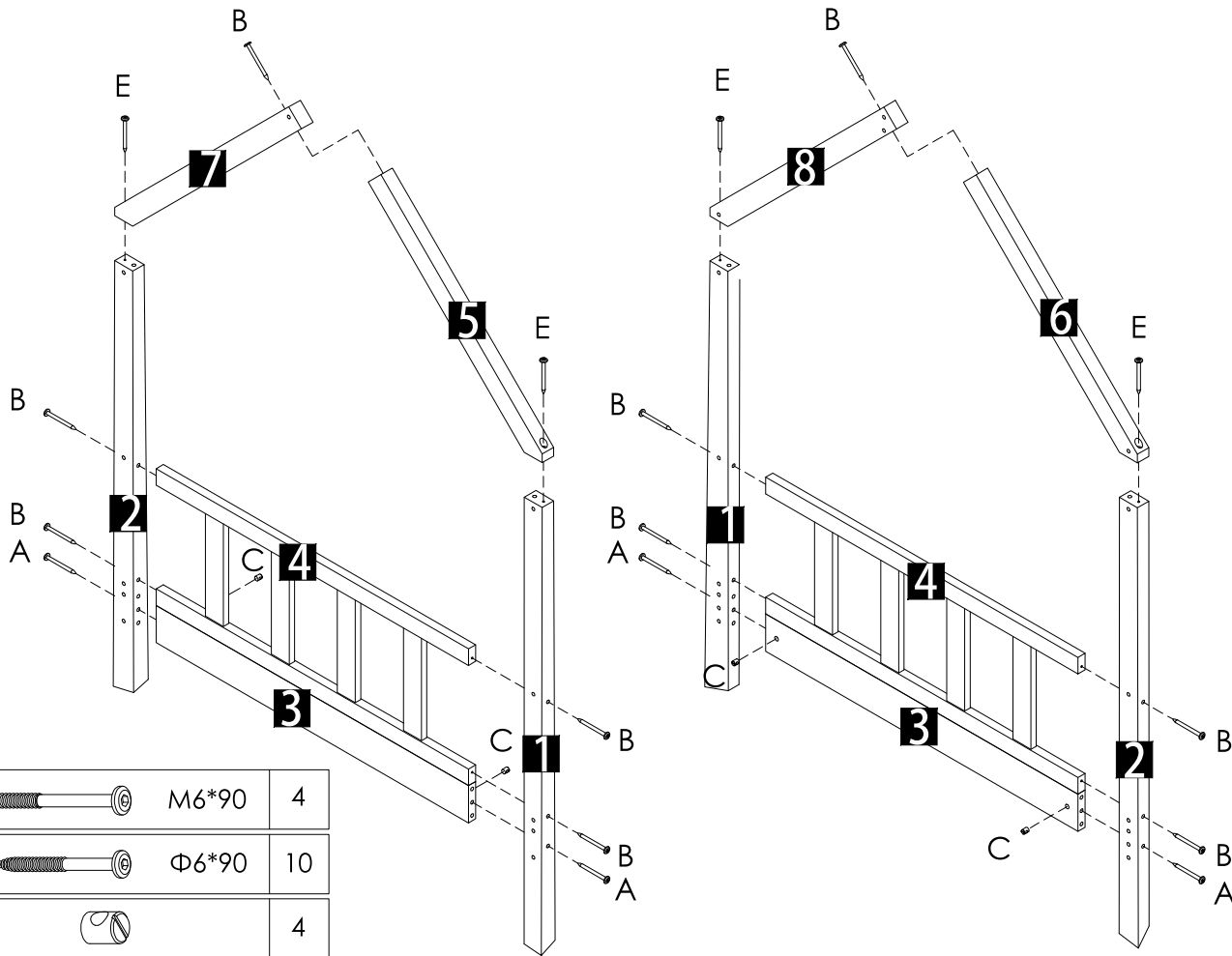


STEP:1



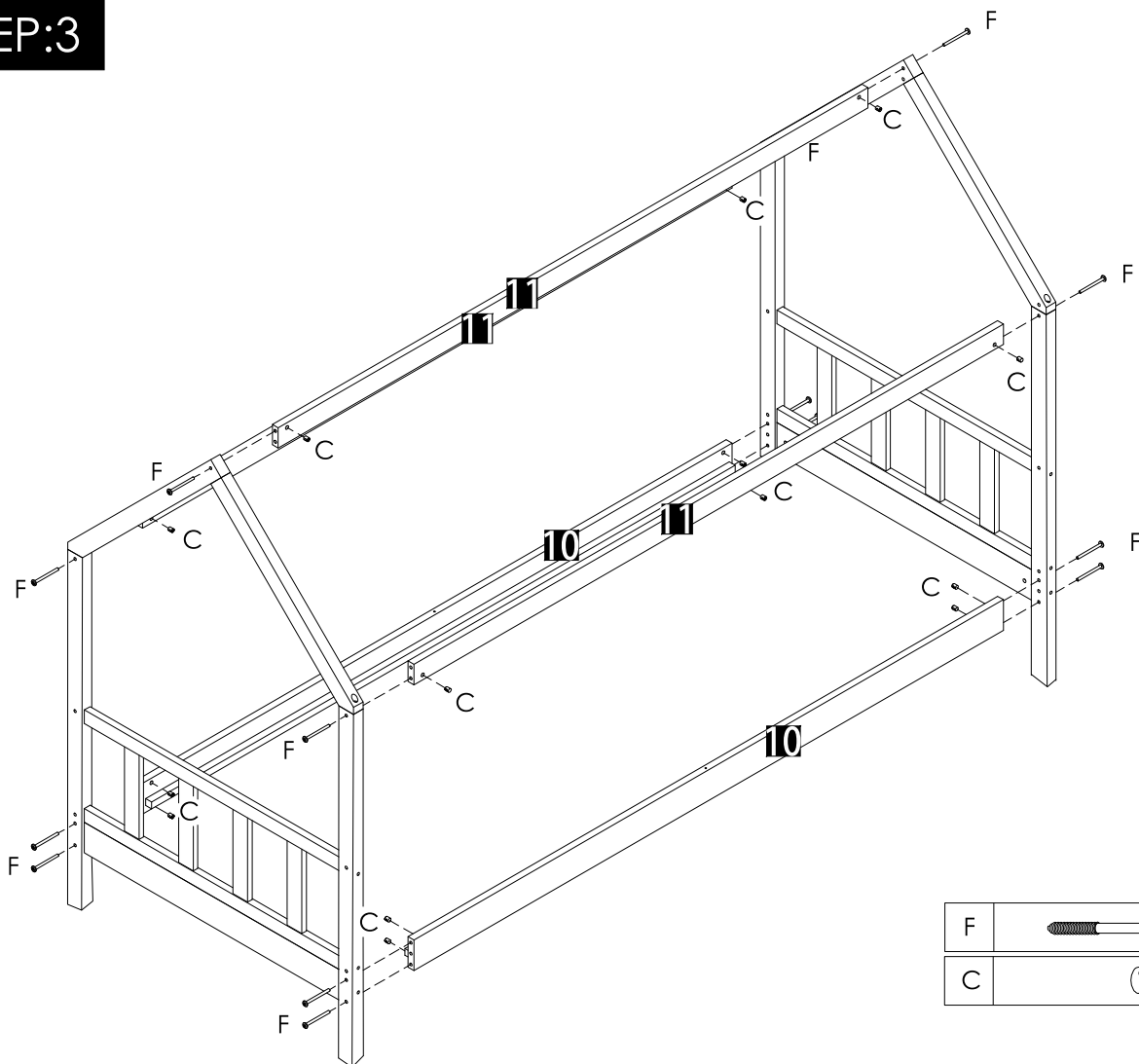
D		Φ8*30	24
---	---	-------	----

STEP:2



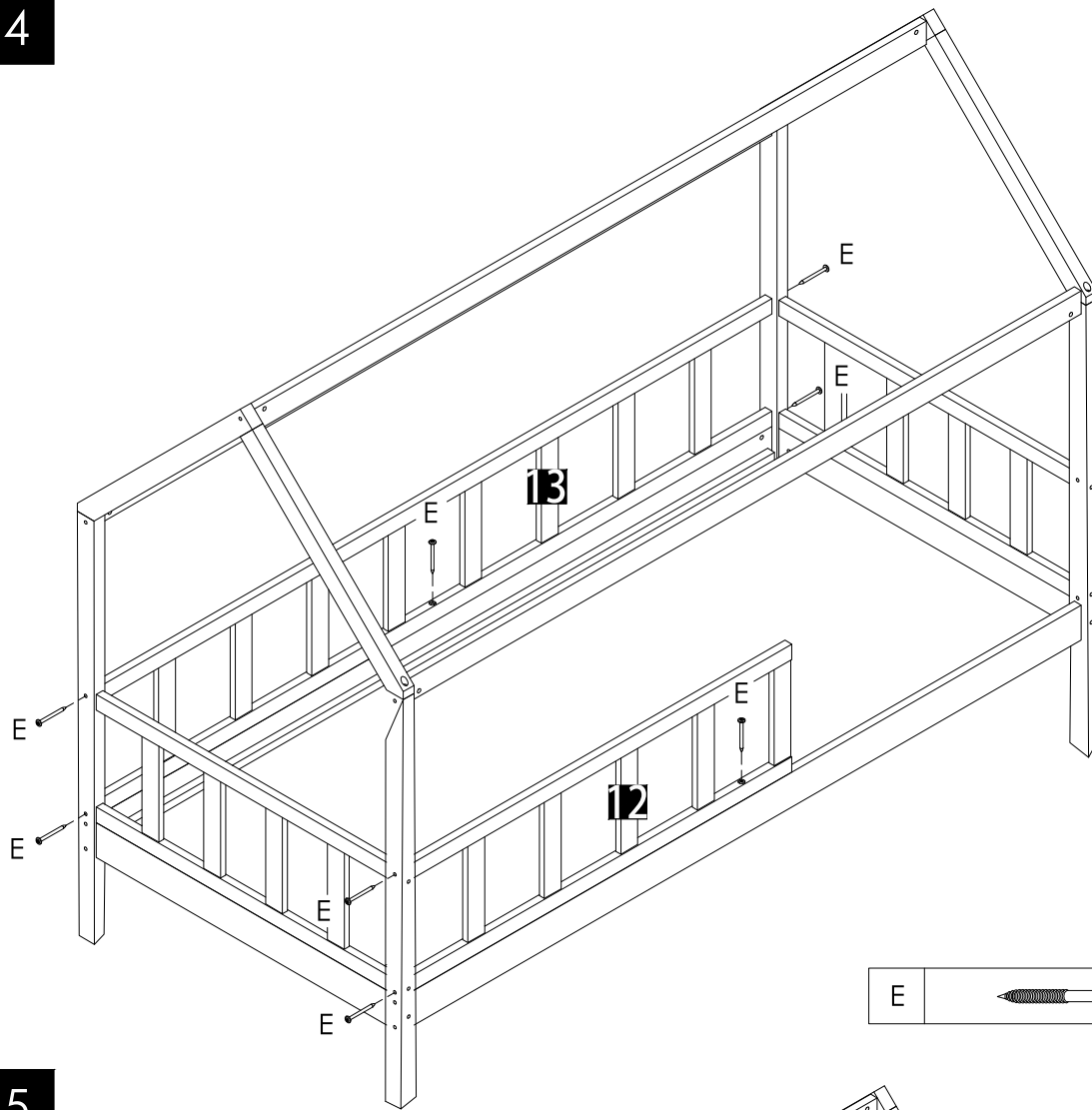
A		M6*90	4
B		Φ6*90	10
C			4
E		Φ6*70	4

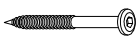
STEP:3



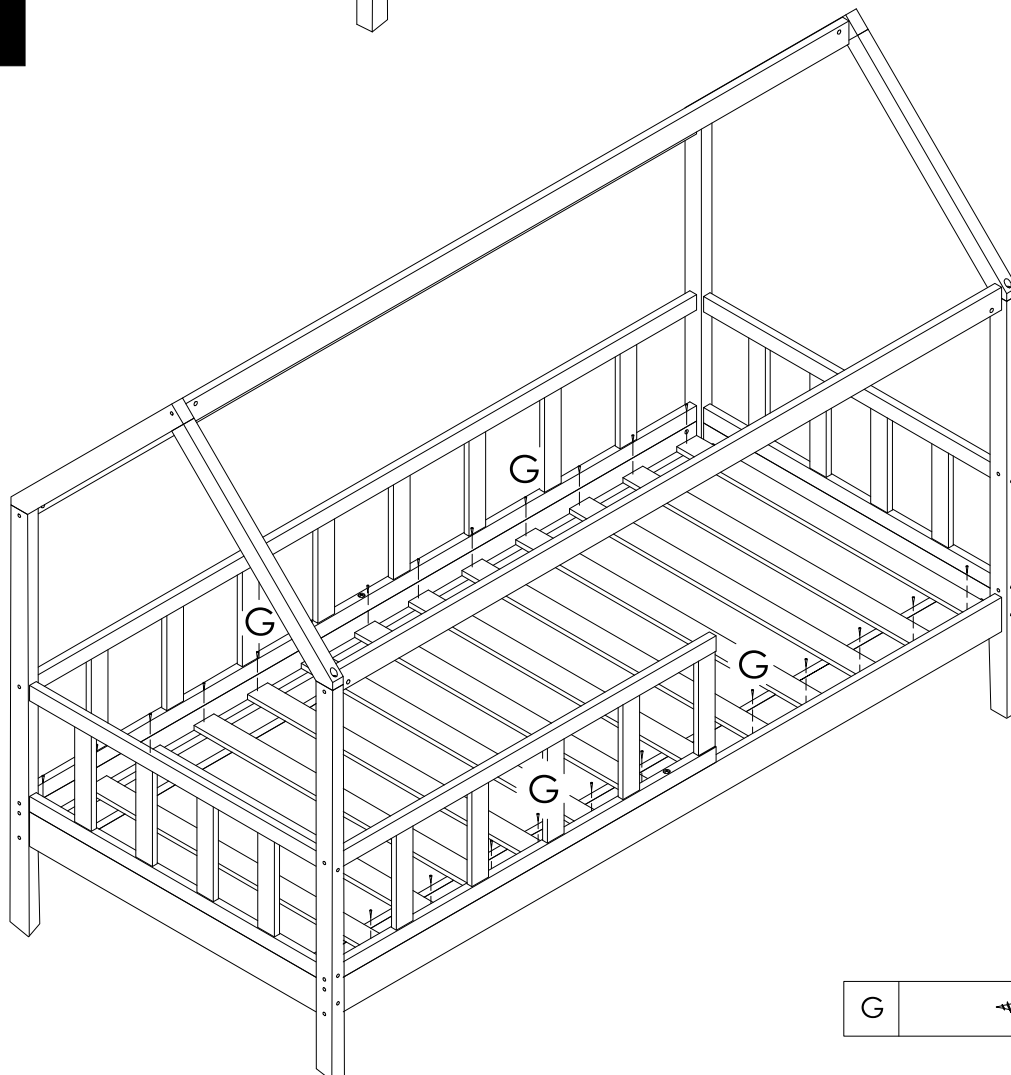
F		M6*70	14
C			14

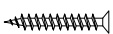
STEP:4

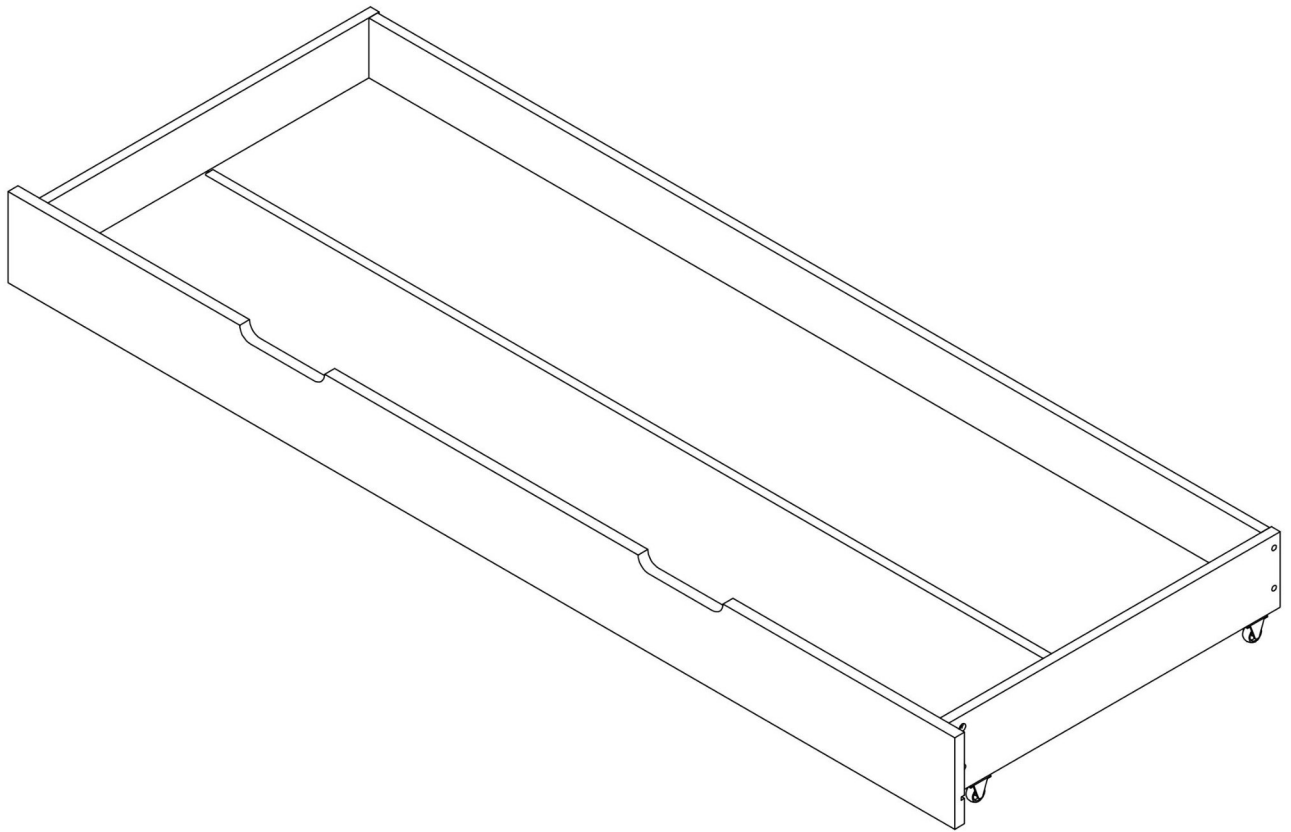










E		Φ6*70	8
---	---	-------	---

STEP:5

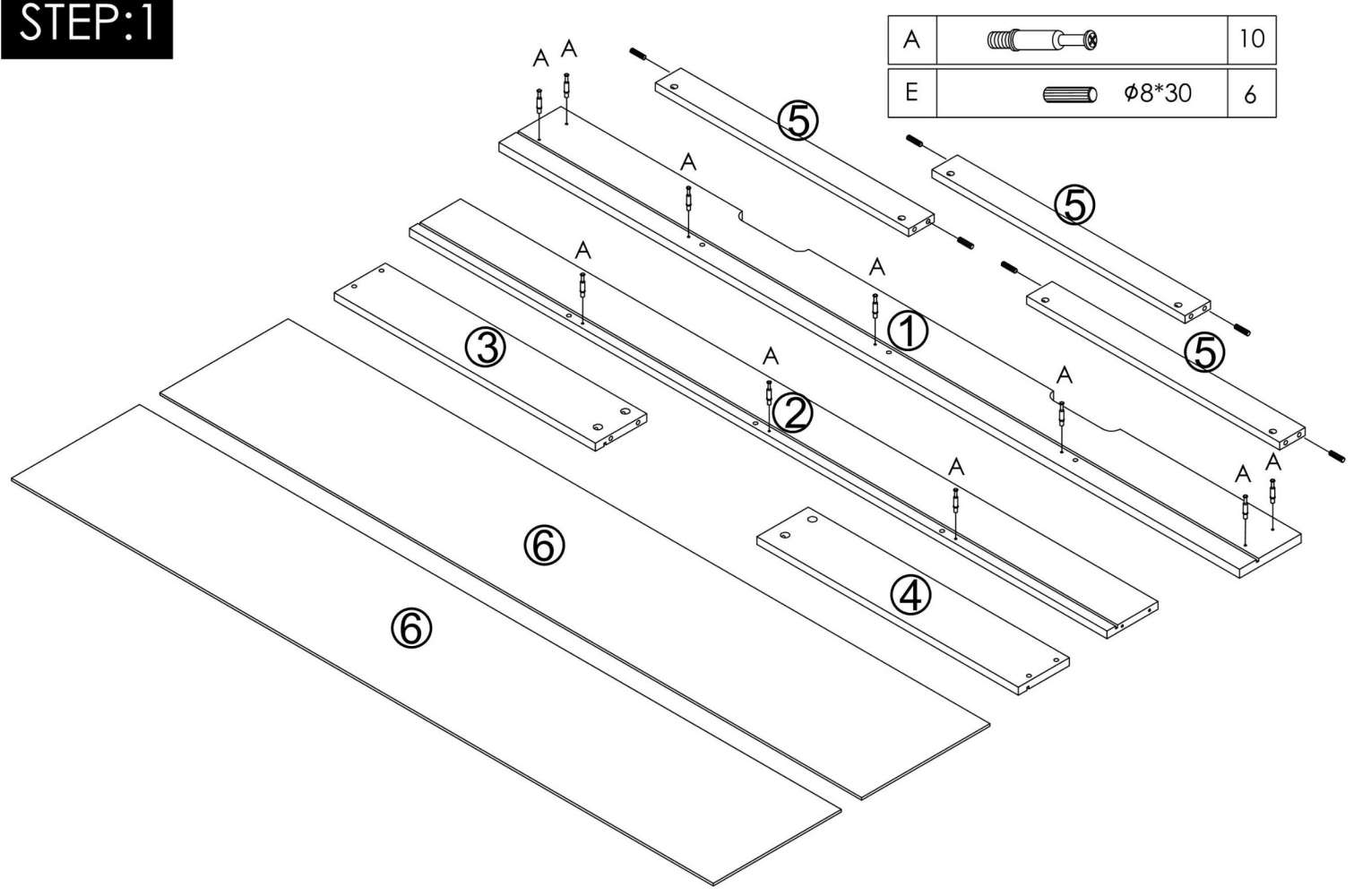


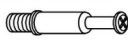

G		4*30	26
---	---	------	----



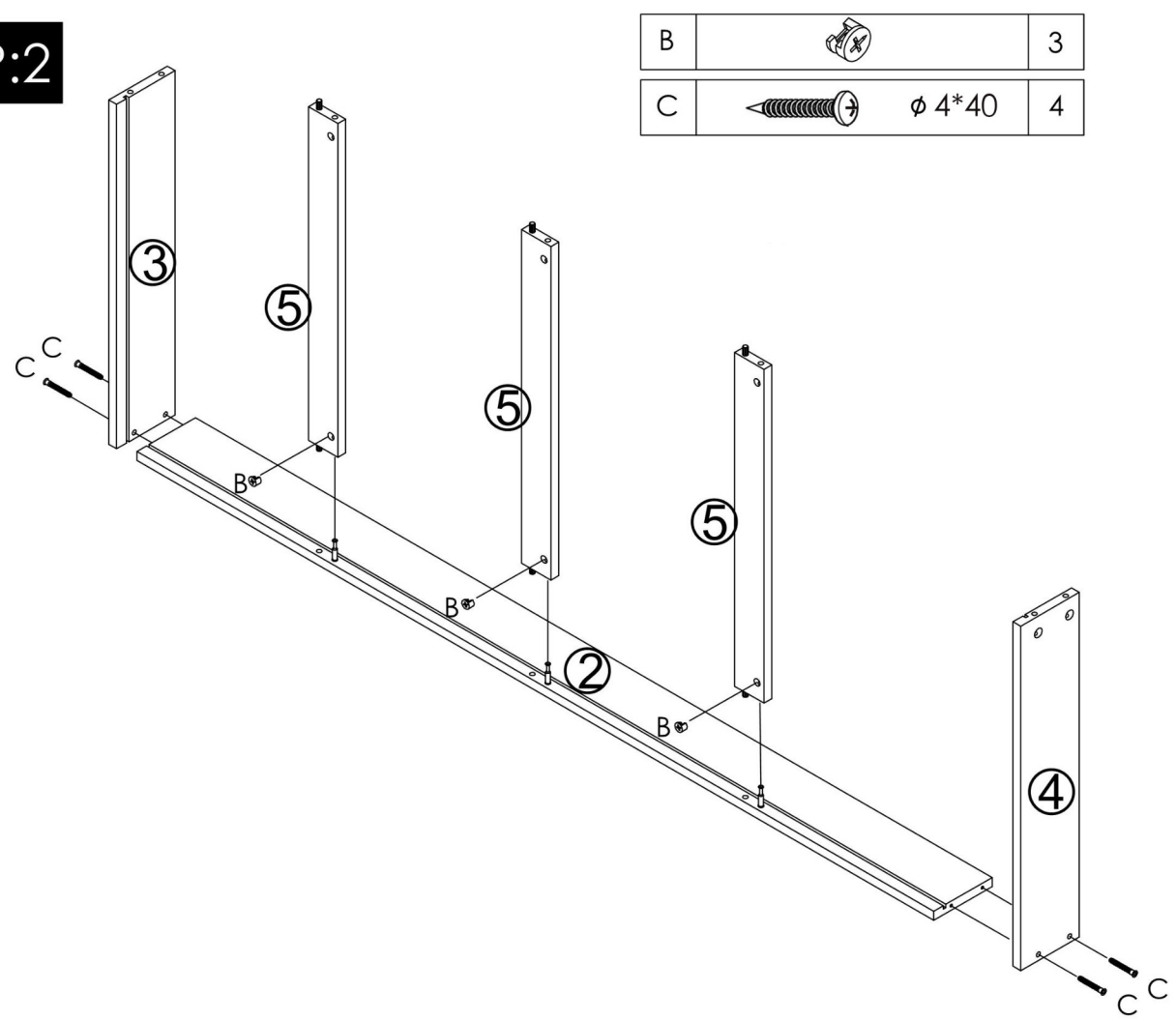
A		10
B		10
C	 $\phi 4*40$	4
D		4
E	 $\phi 8*30$	6
F	 $3.5*16$	8
G	 1850 mm	1
H		1



STEP:1



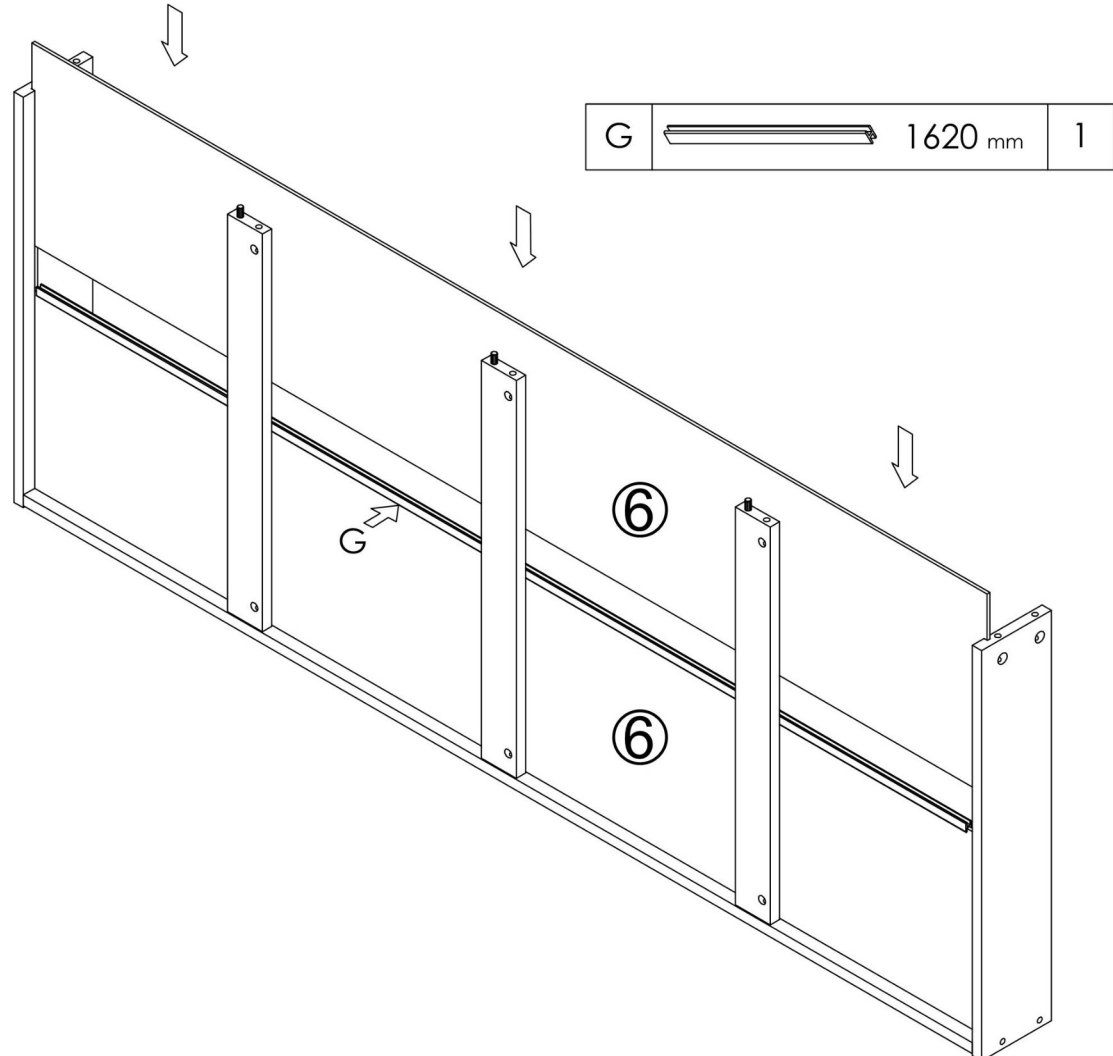
A		10
E	 $\phi 8*30$	6

STEP:2



B		3
C	 $\phi 4*40$	4

STEP:3



STEP:4

