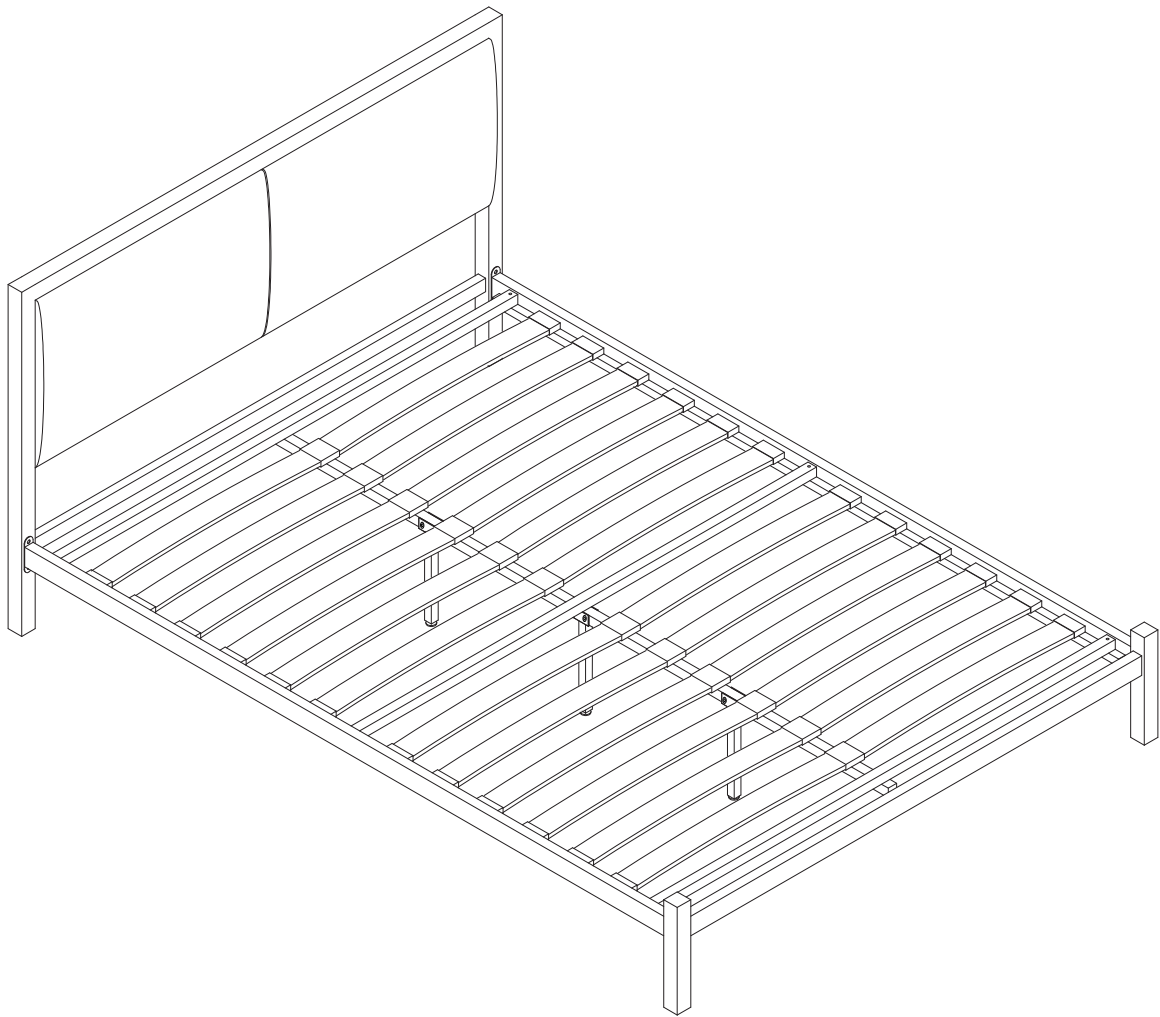
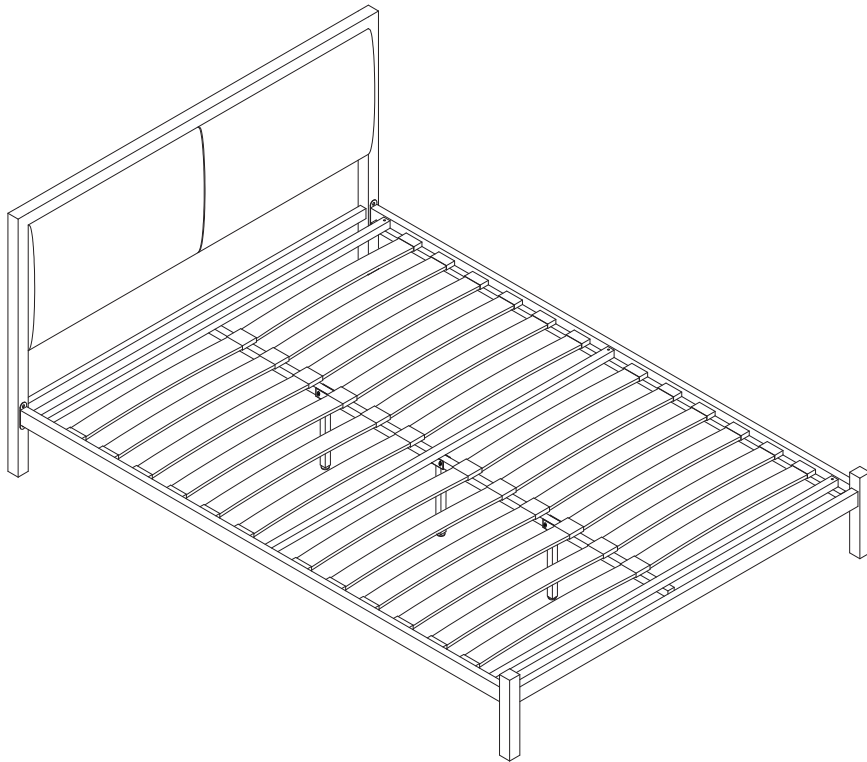
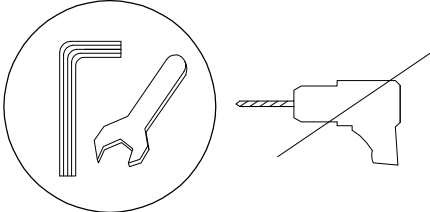

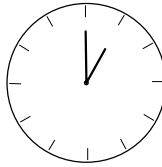
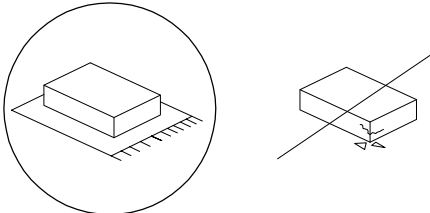


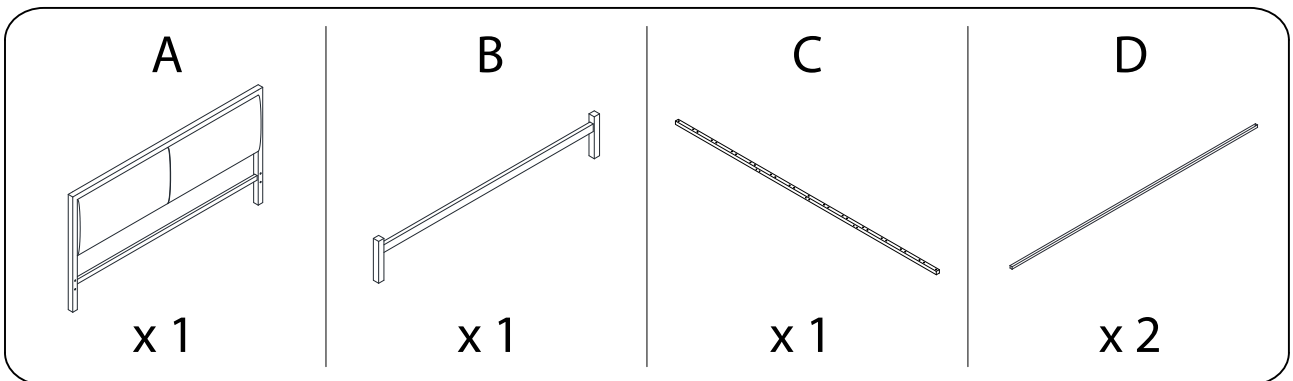
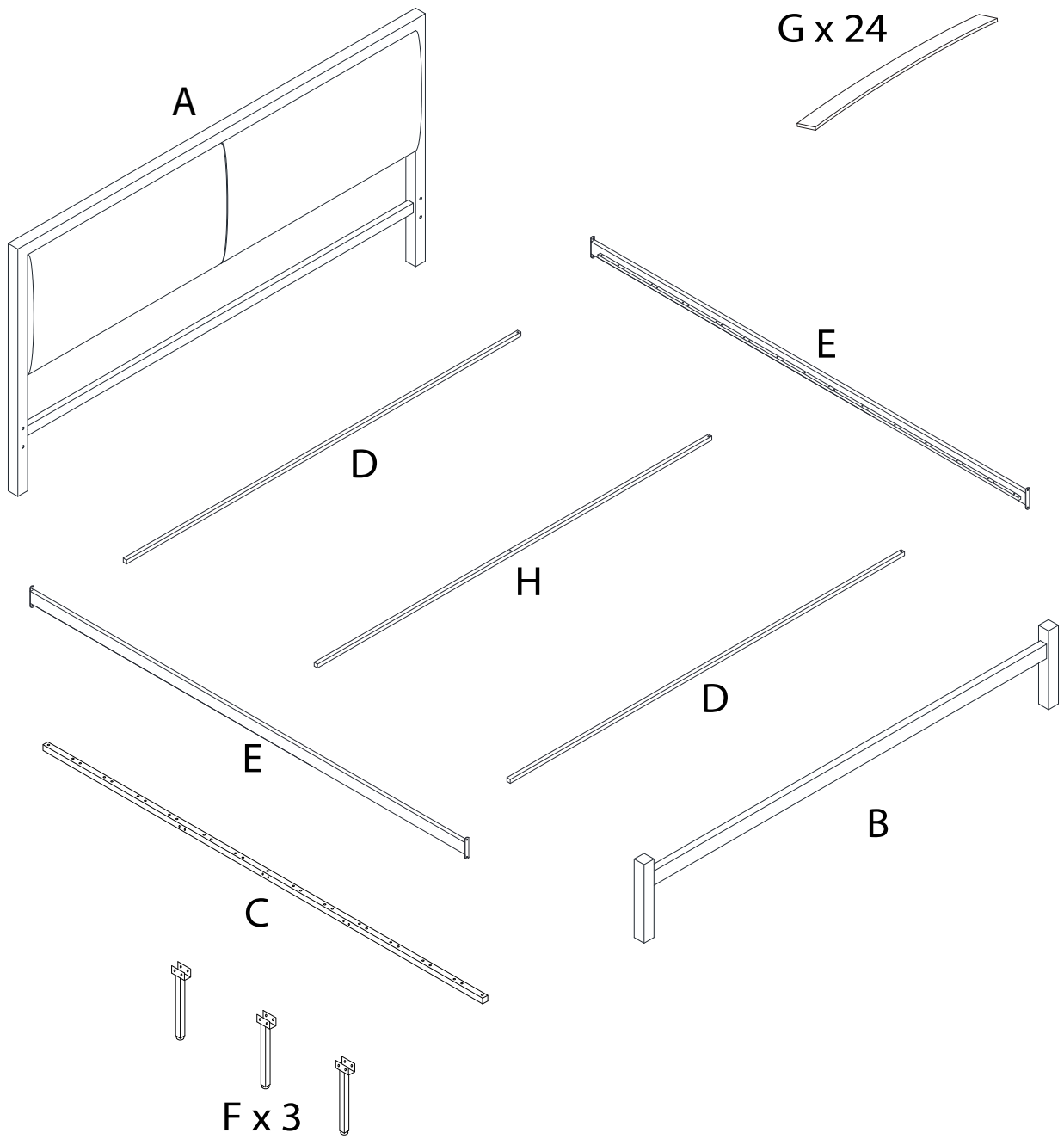


# CLAMART

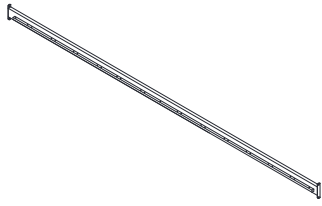




		
		
<p>60'</p>		<p>2</p>

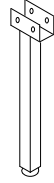


E



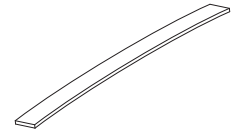
x 2

F



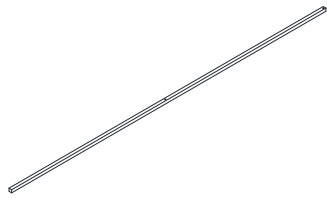
x 3

G



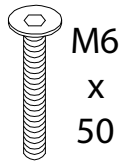
x 24

H



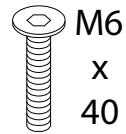
x 1

I



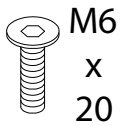
x 6

J



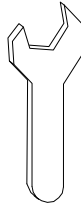
x 9

K



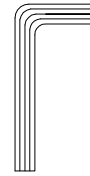
x 12

L



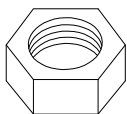
x 1

M



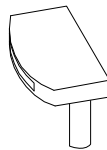
x 1

N



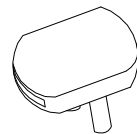
x 12

O



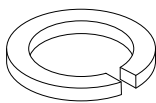
x 24

P



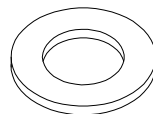
x 12

Q



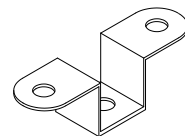
x 8

R



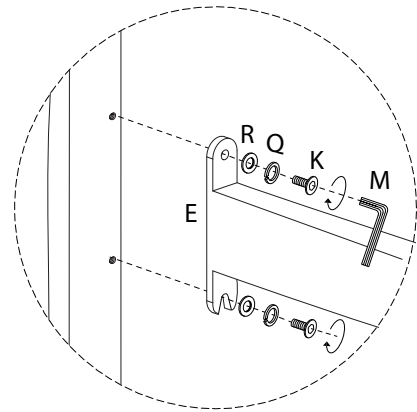
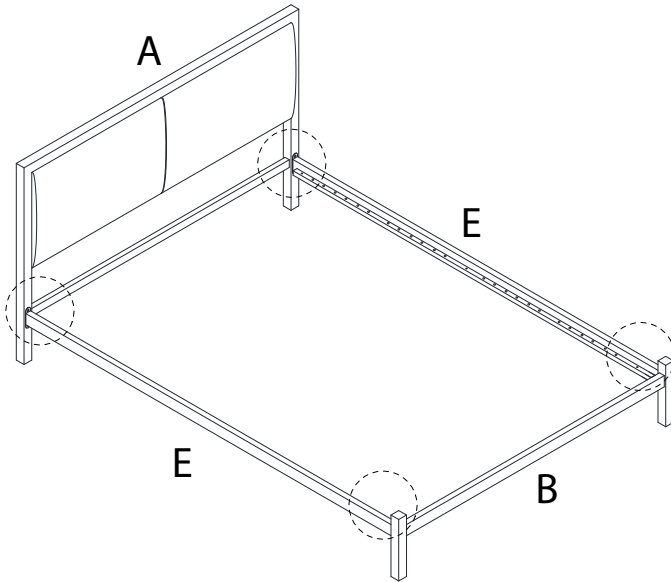
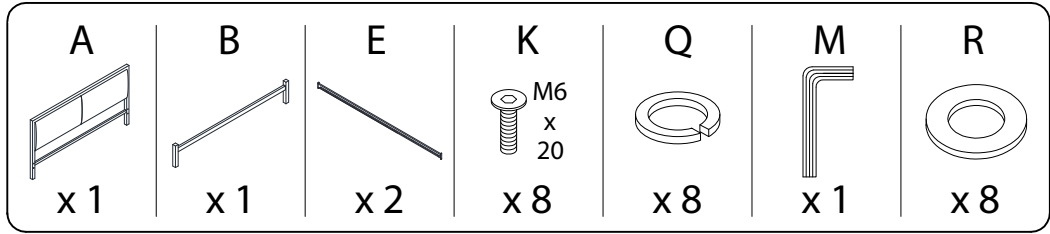
x 27

S

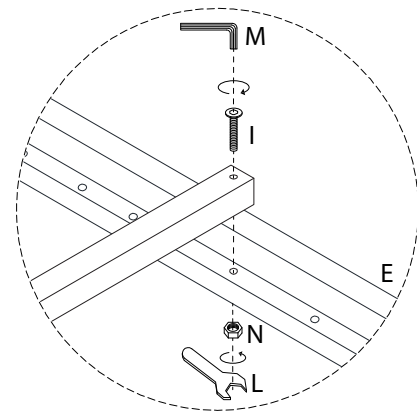
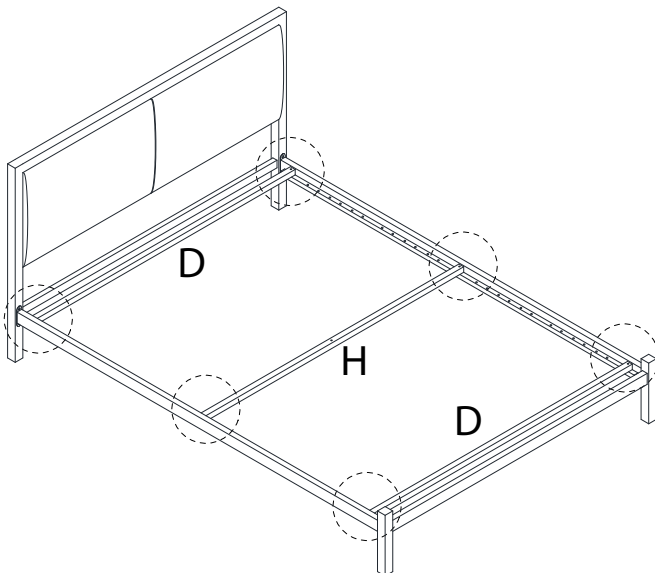
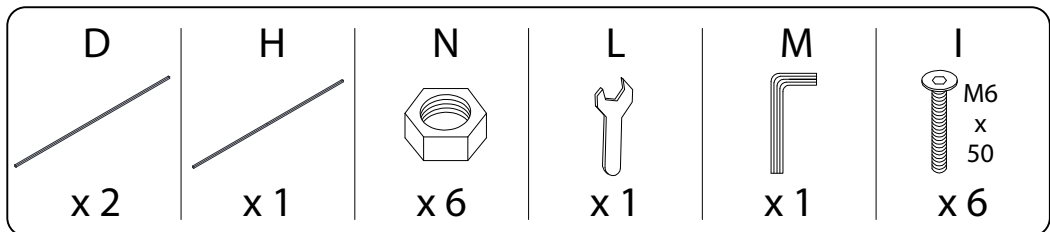


x 2



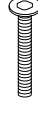

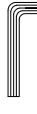
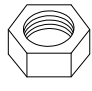
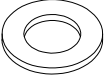
1

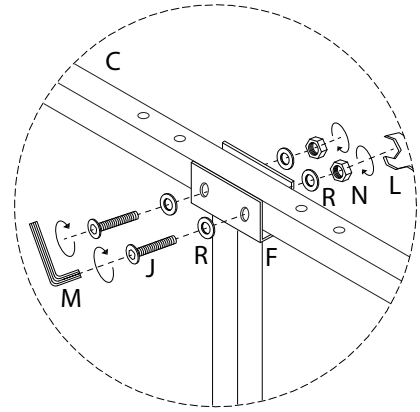
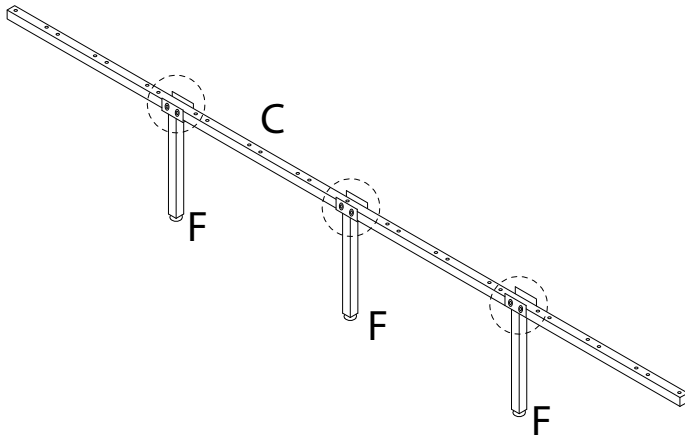


2

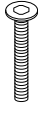


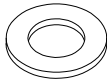
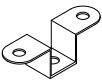


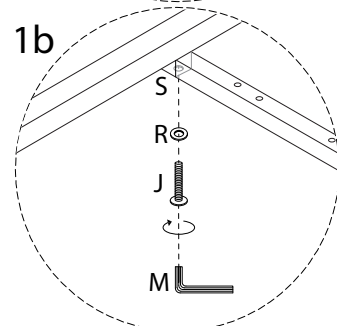
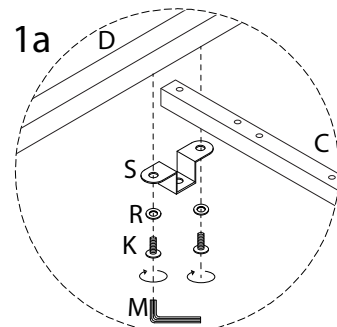
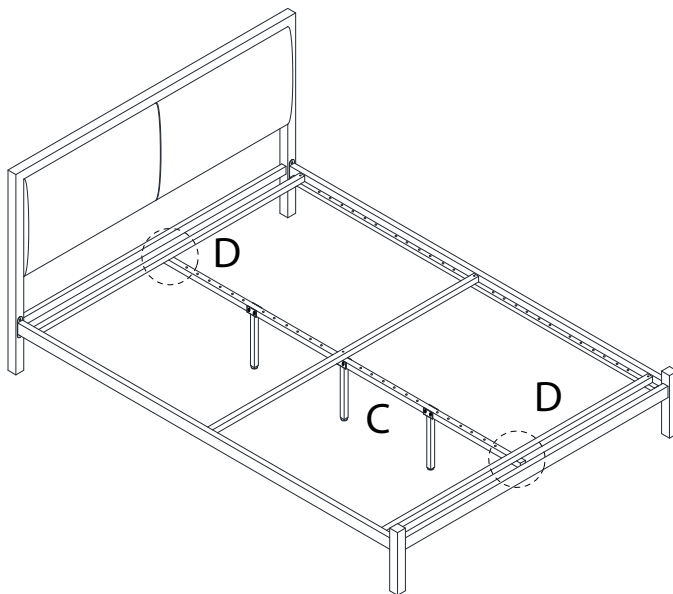
3

C  x 1	F  x 3	J M6 x 40  x 6	L  x 1	M  x 1	N  x 6	R  x 12
---	---	---	---	---	---	--

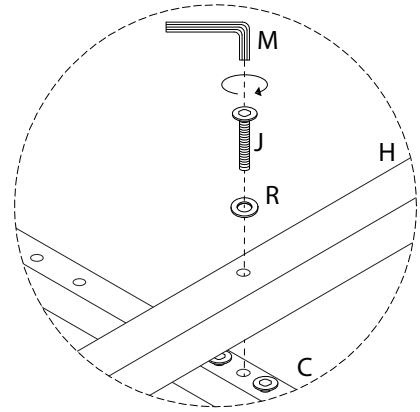
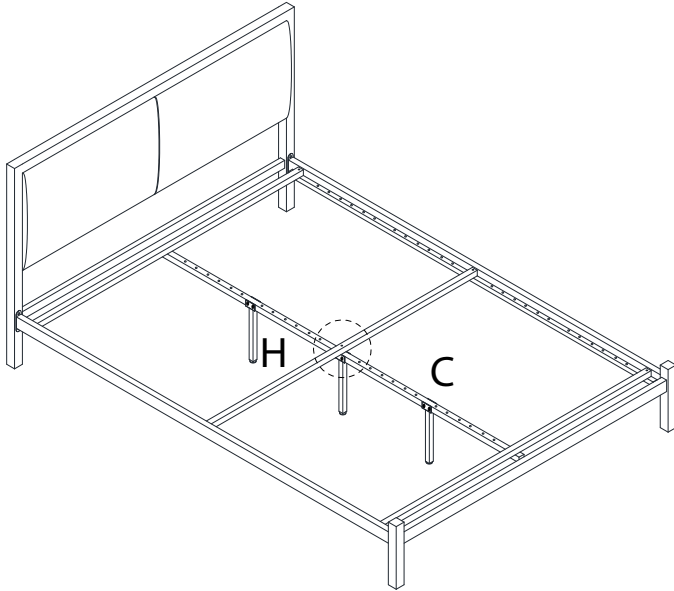
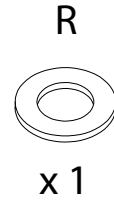
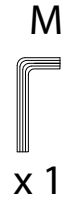
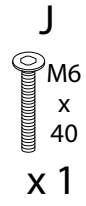


4

J M6 x 40  x 2	K M6 x 20  x 4	M  x 1	R  x 6	S  x 2
---	---	---	---	---



5



6 x 12

