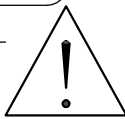
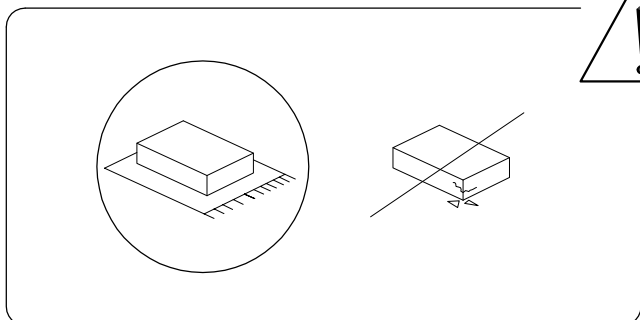
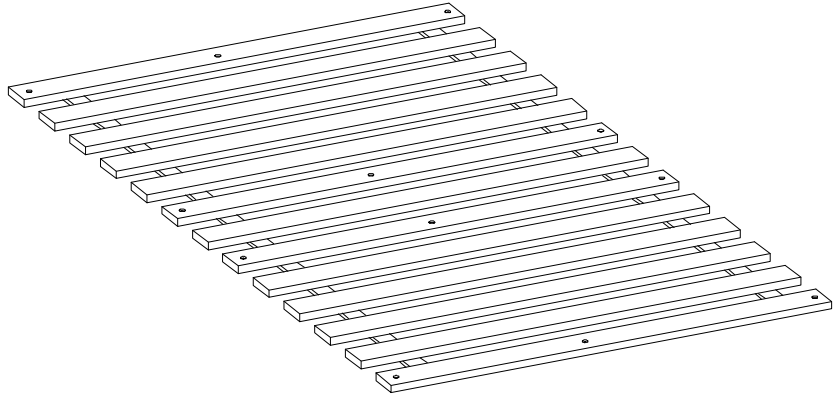


40'

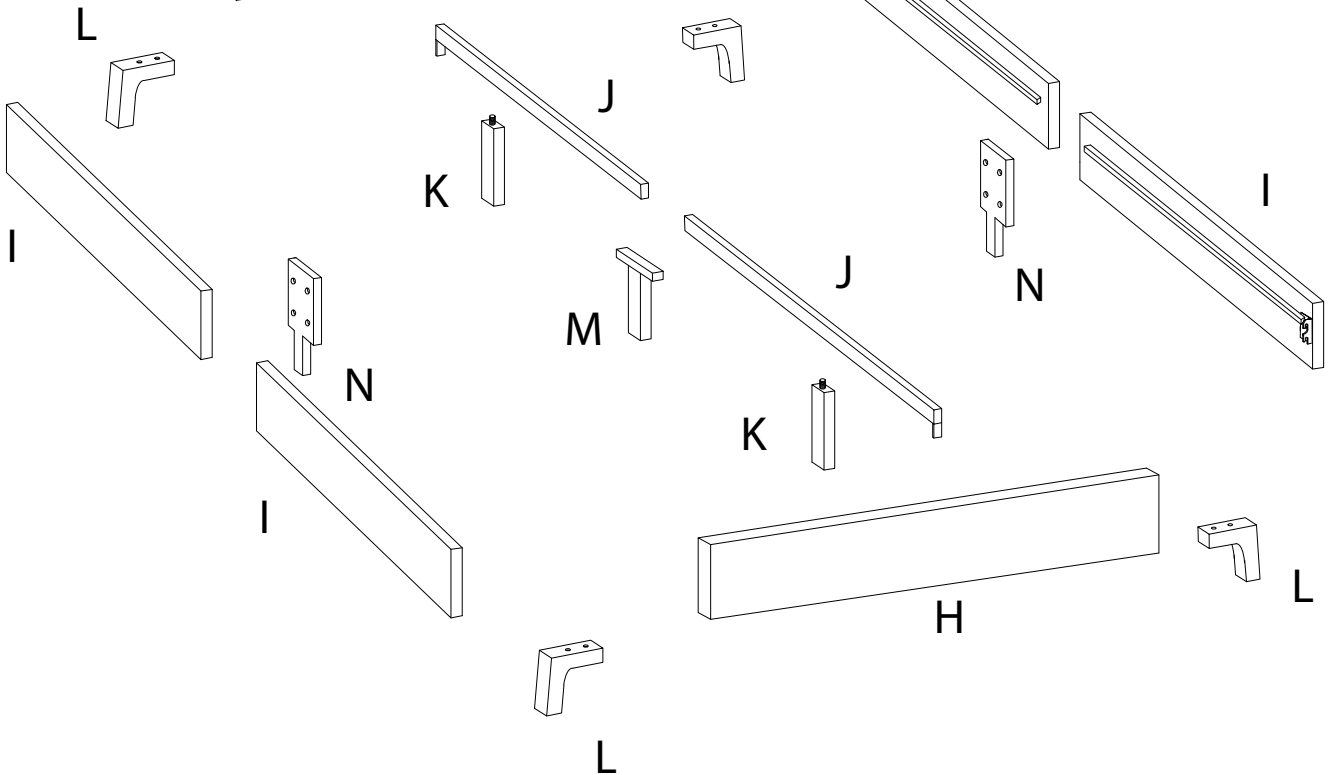
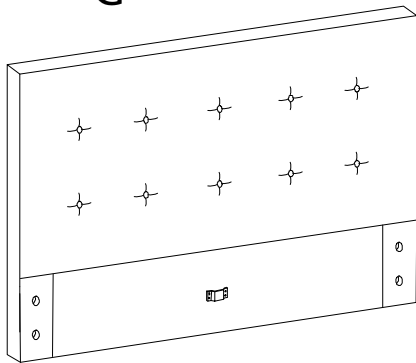


2

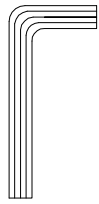
O



G

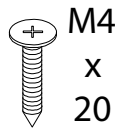


A



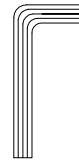
x 1

B



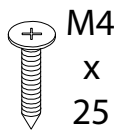
x 2

C



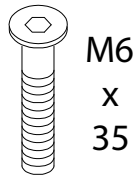
x 1

D



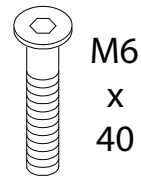
x 12

E



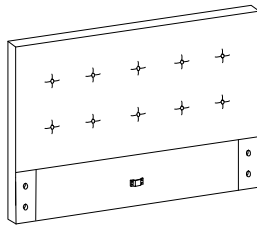
x 10

F



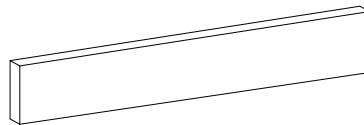
x 8

G



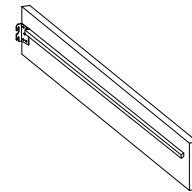
x 1

H



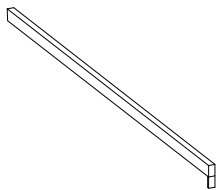
x 1

I



x 4

J



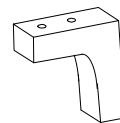
x 2

K



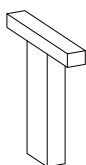
x 2

L



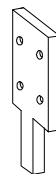
x 4

M



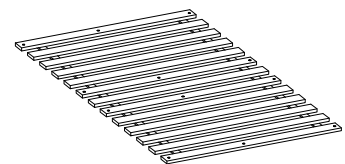
x 1

N



x 2

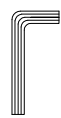
O



x 1

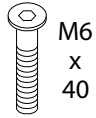
1

C



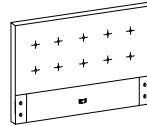
x1

F



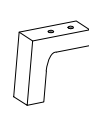
x4

G

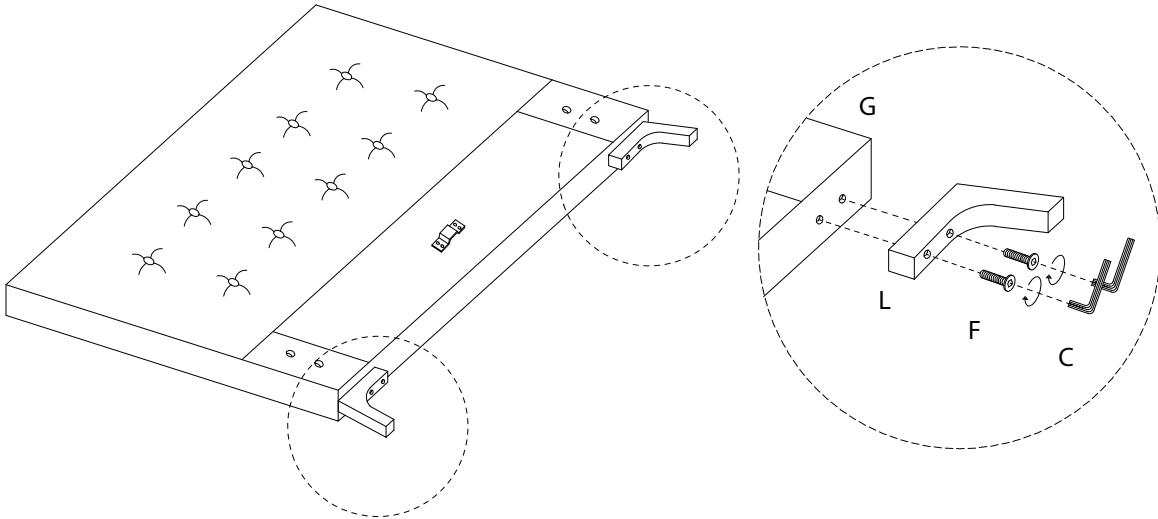


x1

L

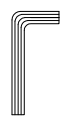


x2



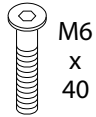
2

C



x1

F



x4

H

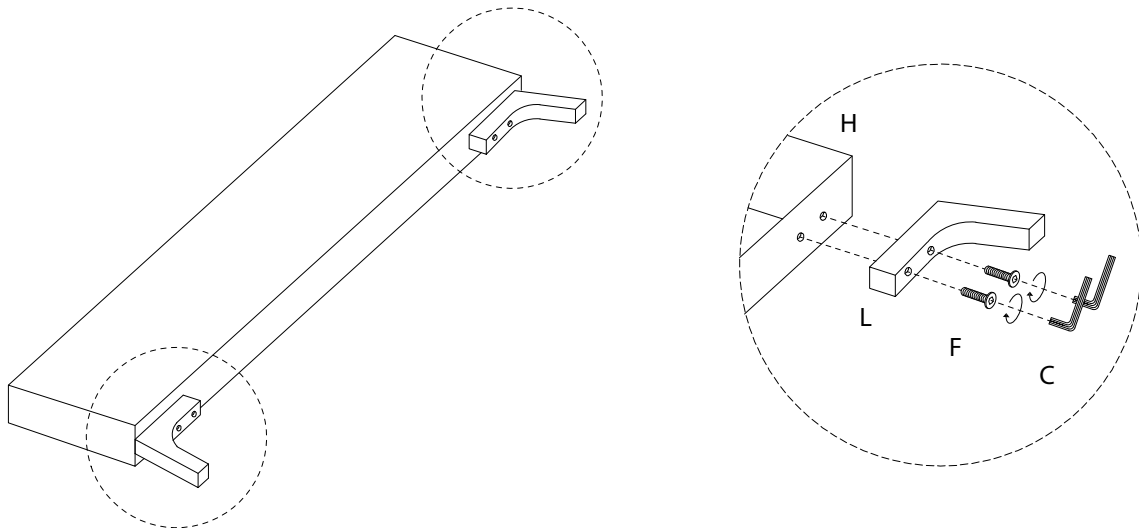


x1

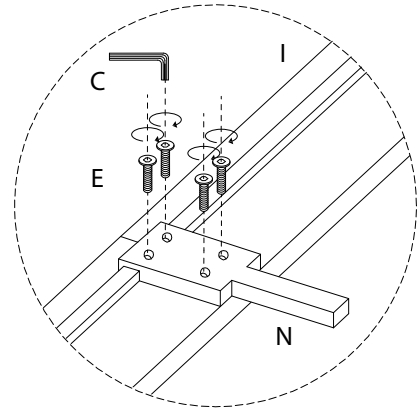
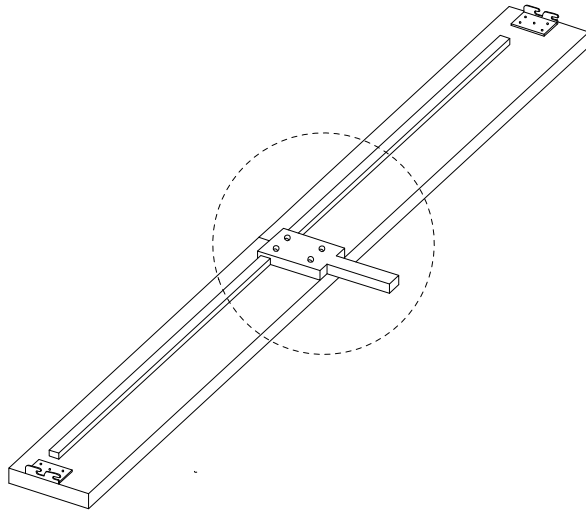
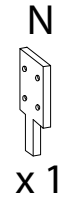
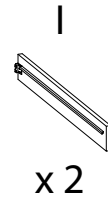
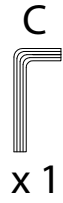
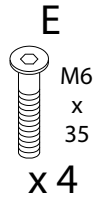
L



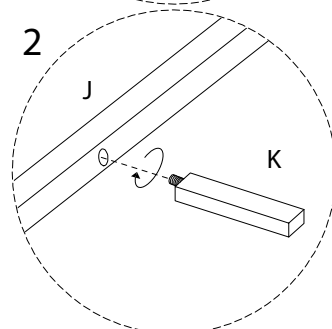
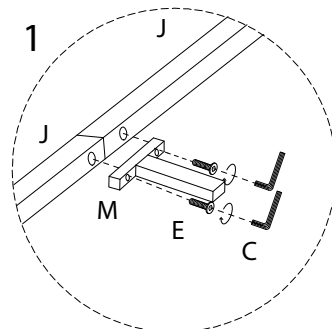
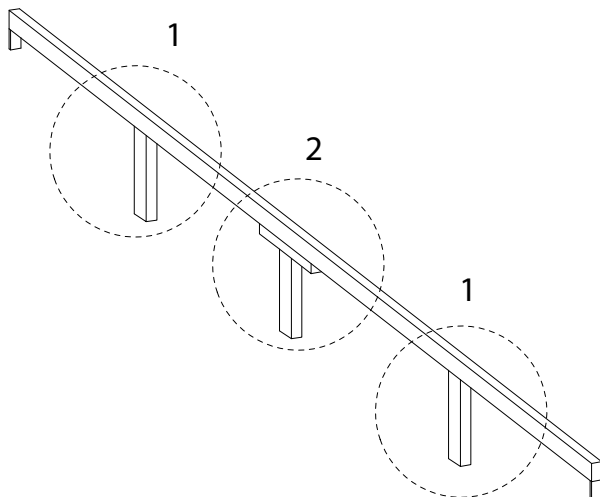
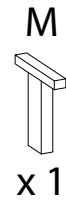
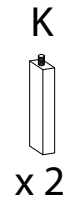
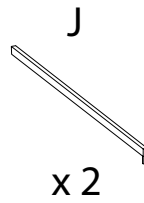
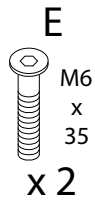
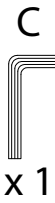
x2



3 x 2

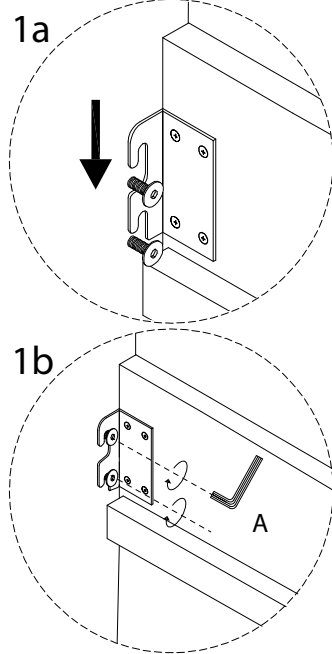
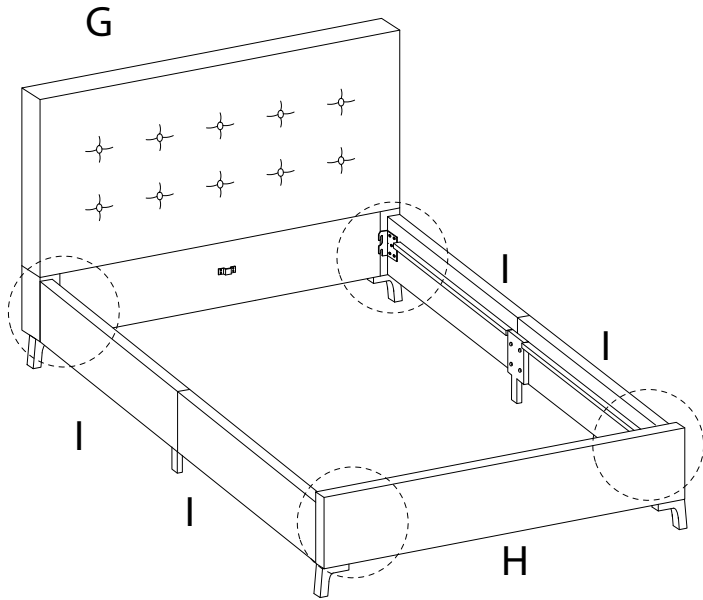


4



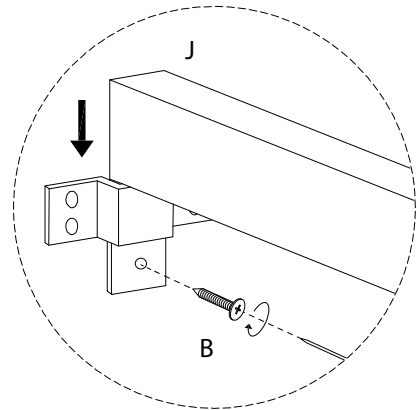
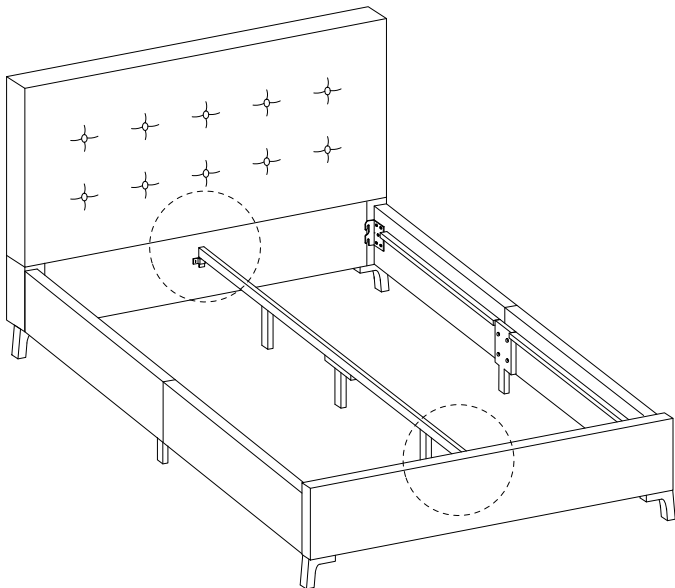
5

A
x 1



6

B
M4
x
20
x 2



7

D
M4
x
25
x 12

O
x 1

