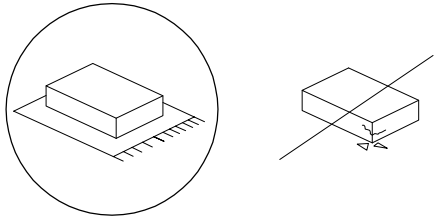
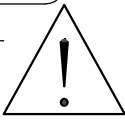
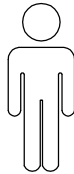
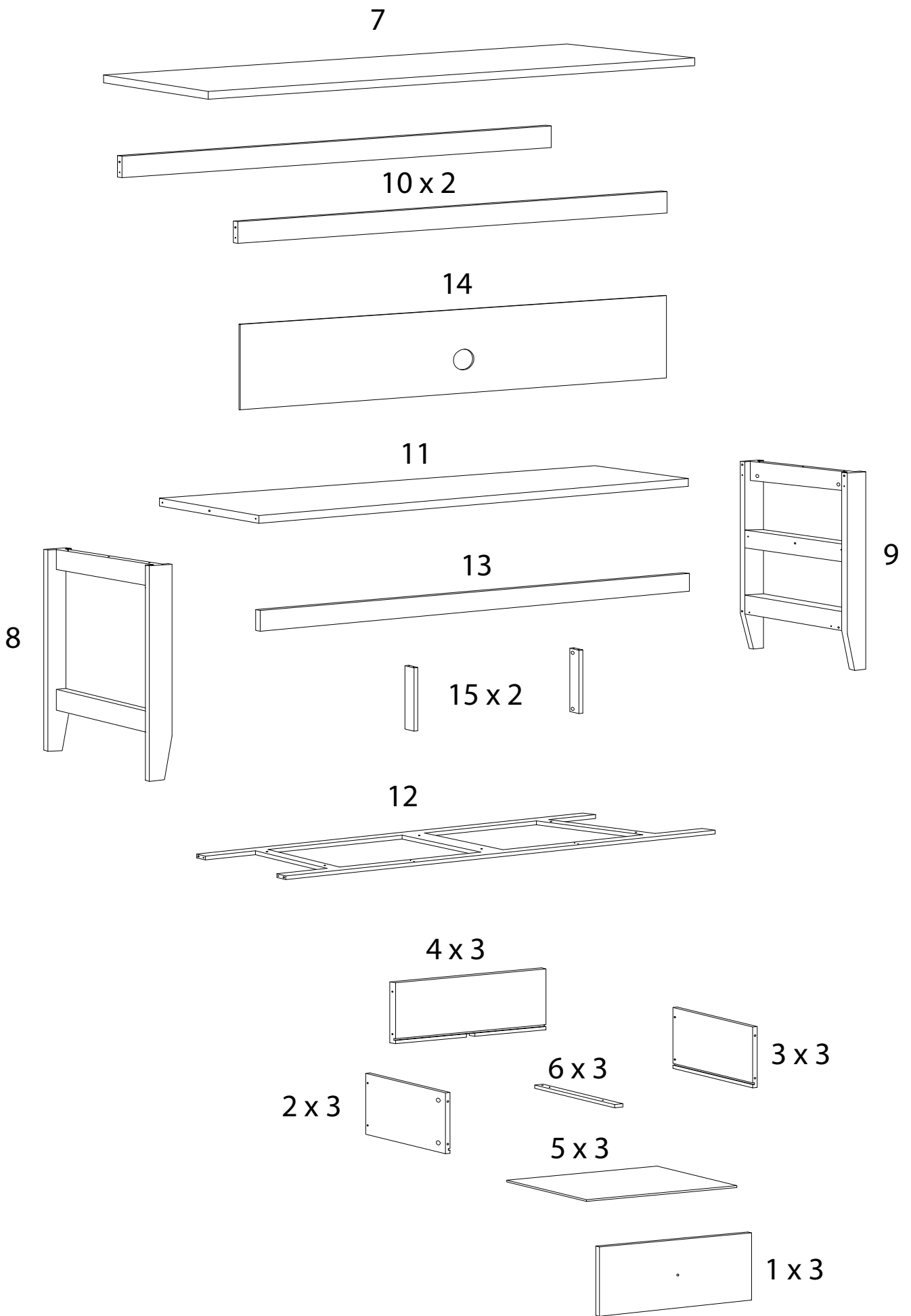
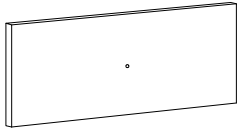

		<b>80'</b>
		
		<b>2</b>

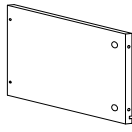


1



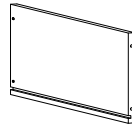
x 3

2



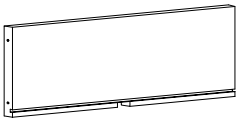
x 3

3



x 3

4



x 3

5



x 3

6



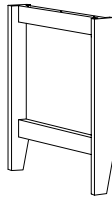
x 3

7



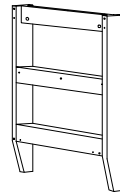
x 1

8



x 1

9



x 1

10



x 2

11



x 1

12



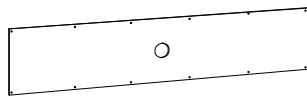
x 1

13



x 1

14



x 1

15



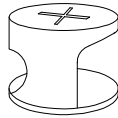
x 2

A



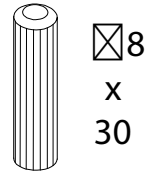
x 38

B



x 38

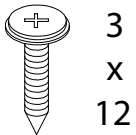
C



8  
x  
30

x 18

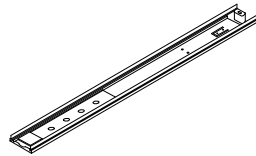
D



3  
x  
12

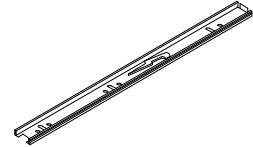
x 12

E



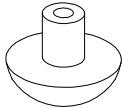
x 3

F



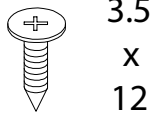
x 3

G



x 3

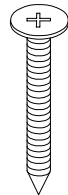
H



3.5  
x  
12

x 12

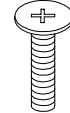
I



4  
x  
30

x 3

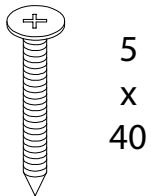
J



M4  
x  
22

x 3

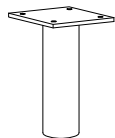
K



5  
x  
40

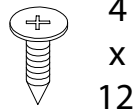
x 12

L



x 1

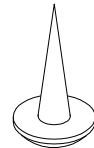
M



4  
x  
12

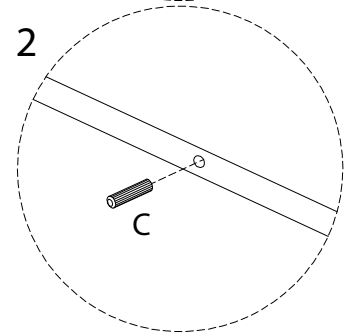
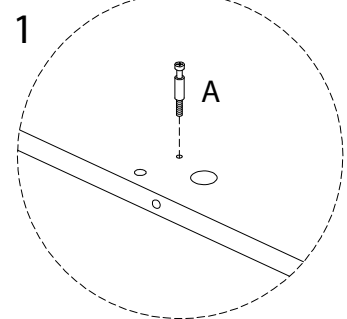
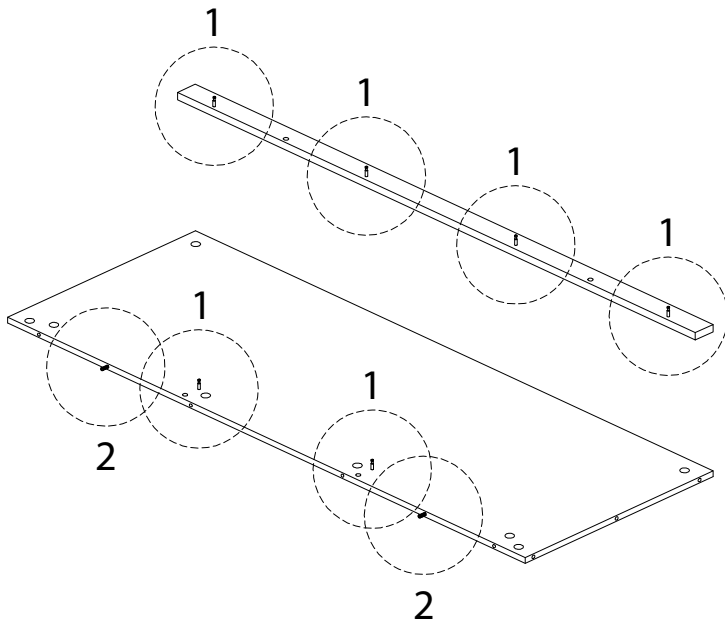
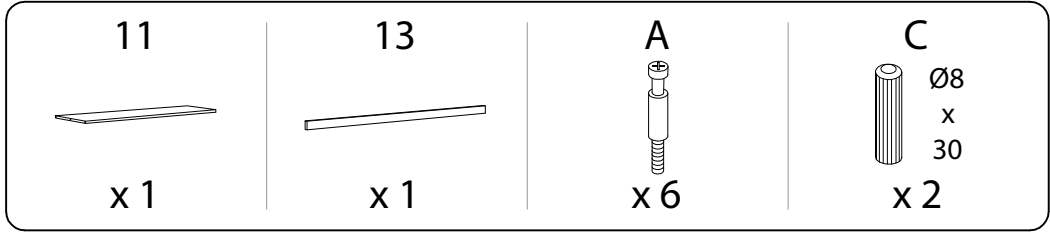
x 4

N

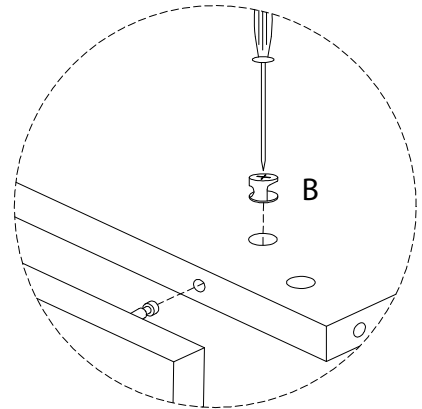
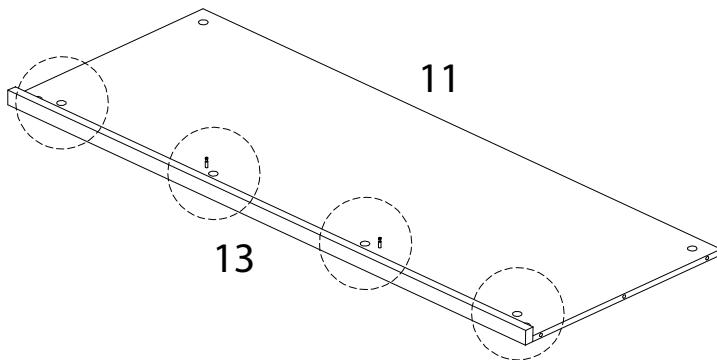
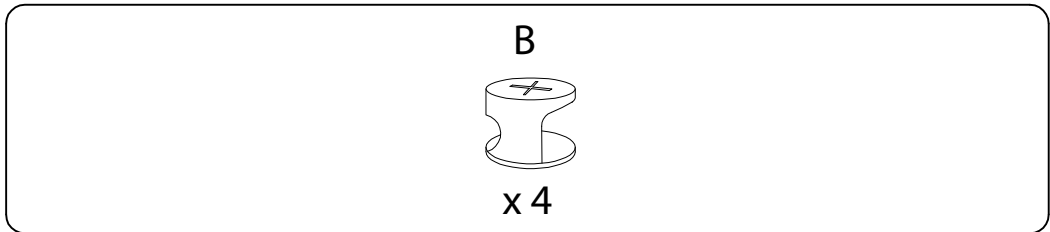


x 4

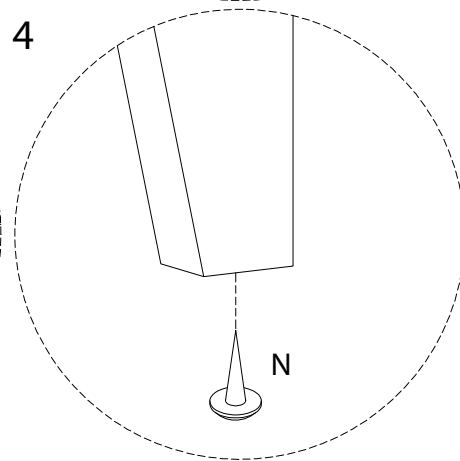
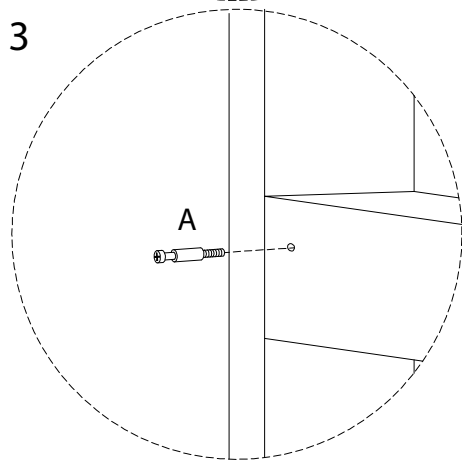
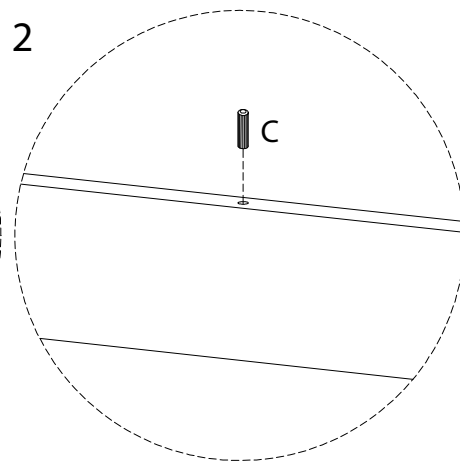
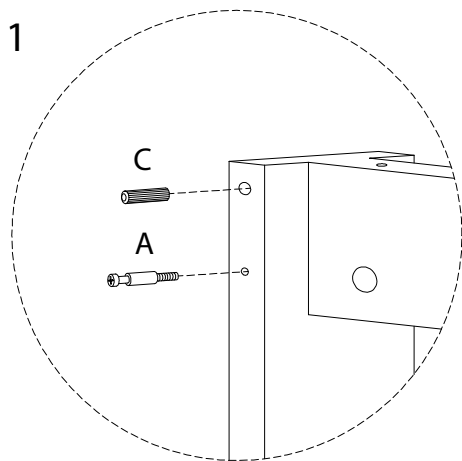
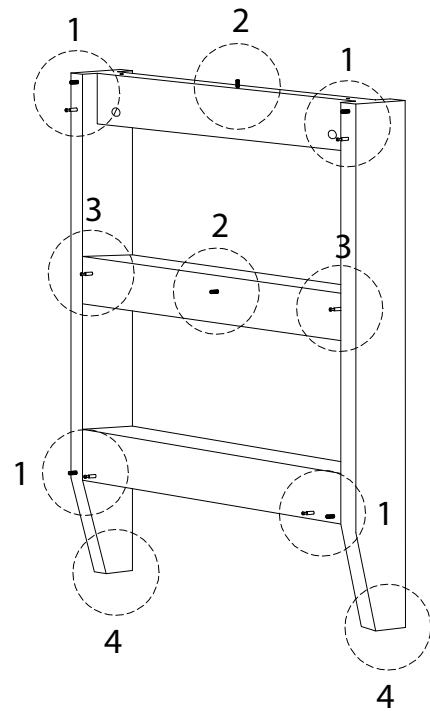
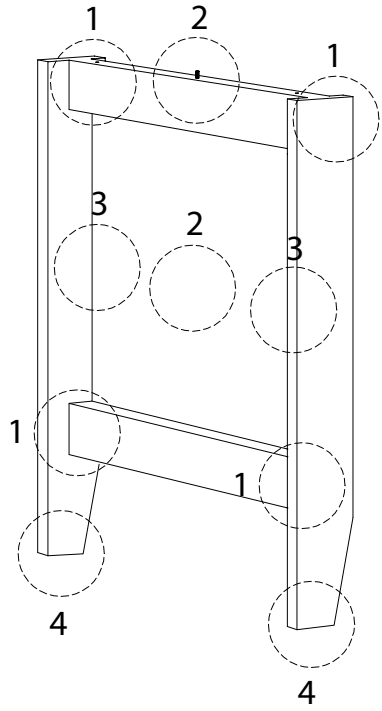
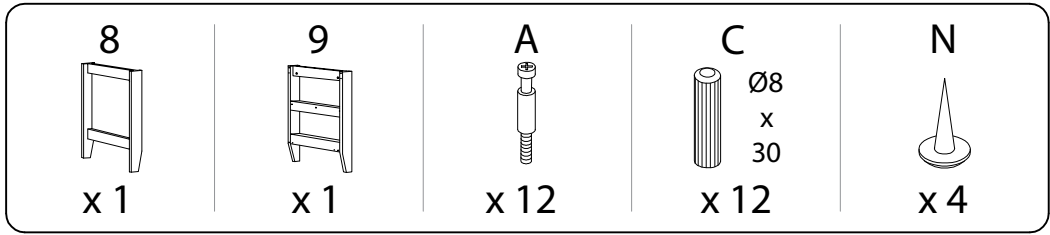
1



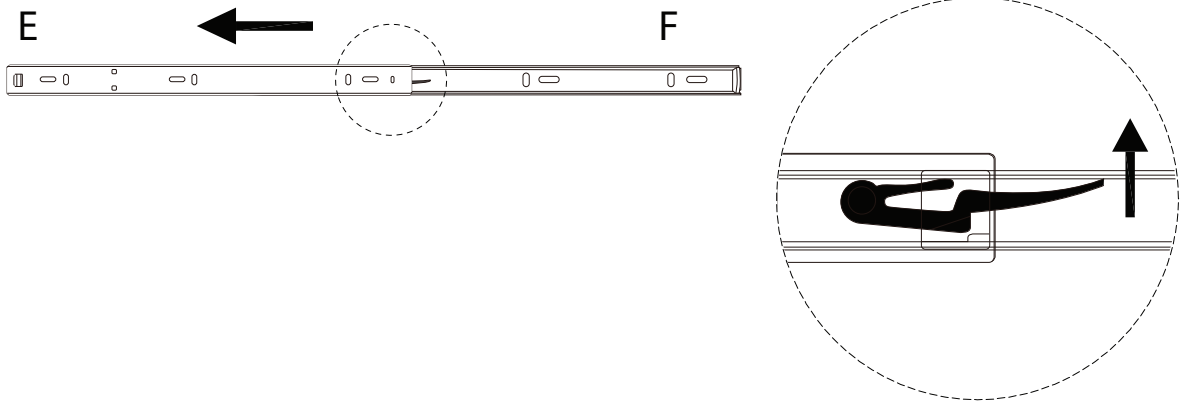
2



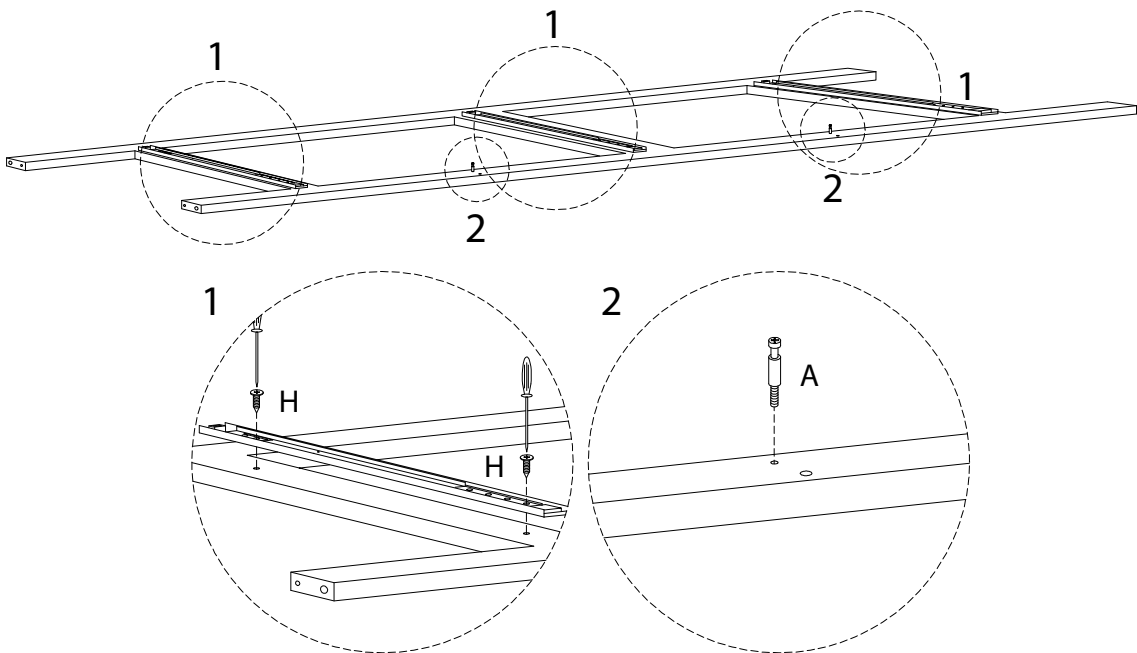
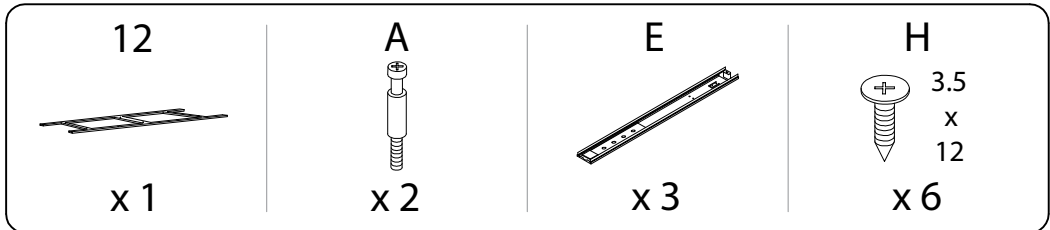
3



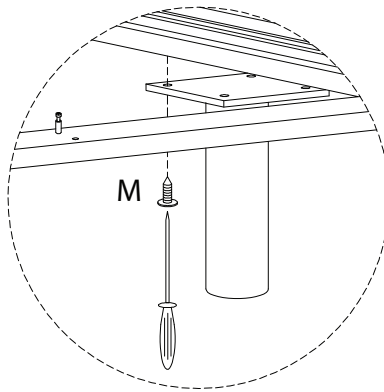
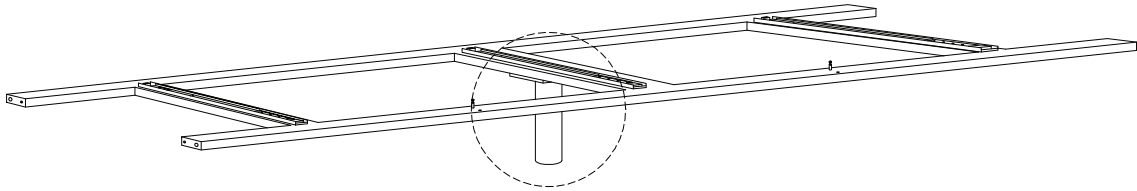
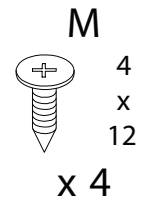
!



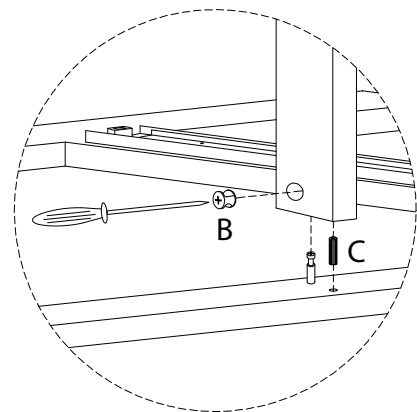
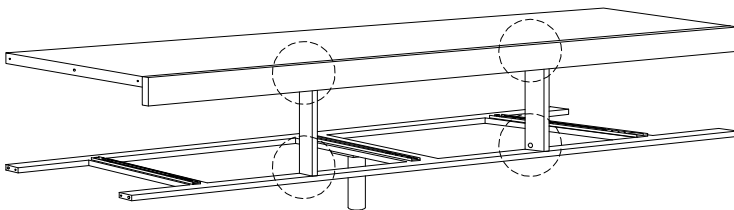
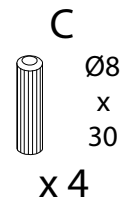
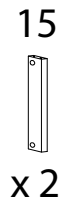
4



5



6





7

10

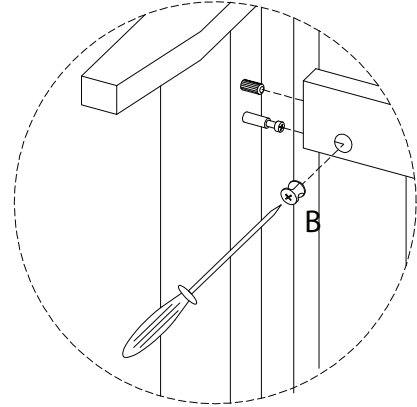
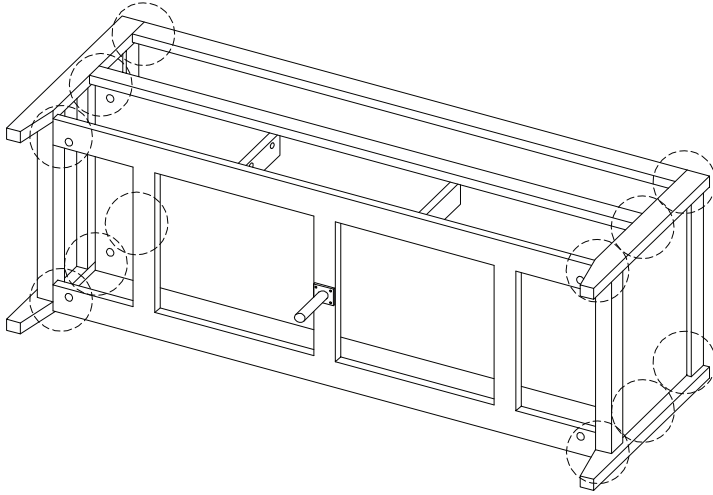


x 2

B



x 12



8

7

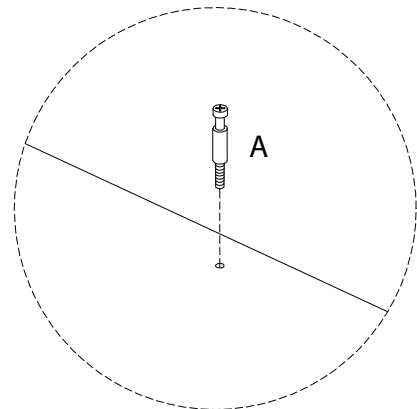
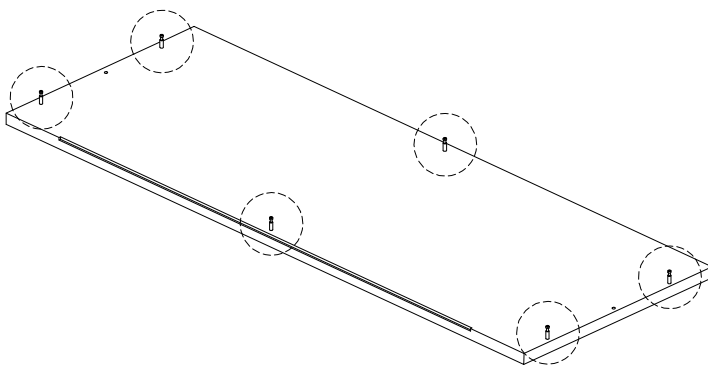


x 1

A



x 6

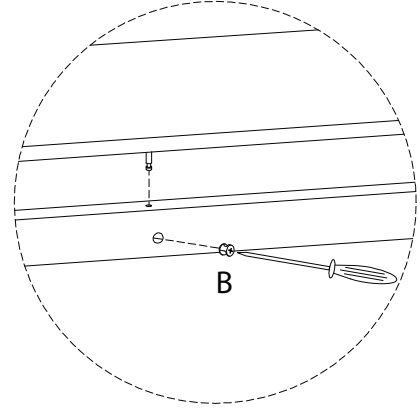
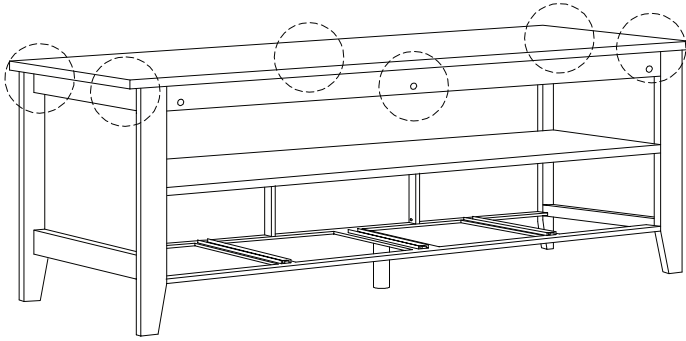


9

B

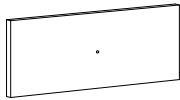


x6



10 x 3

1



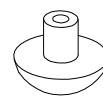
x 1

A



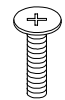
x 4

G



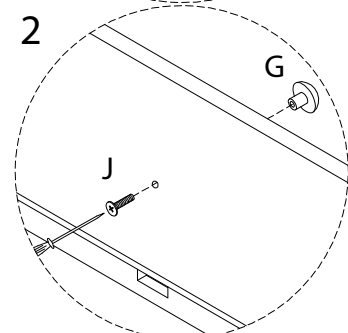
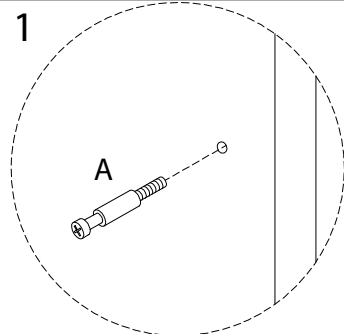
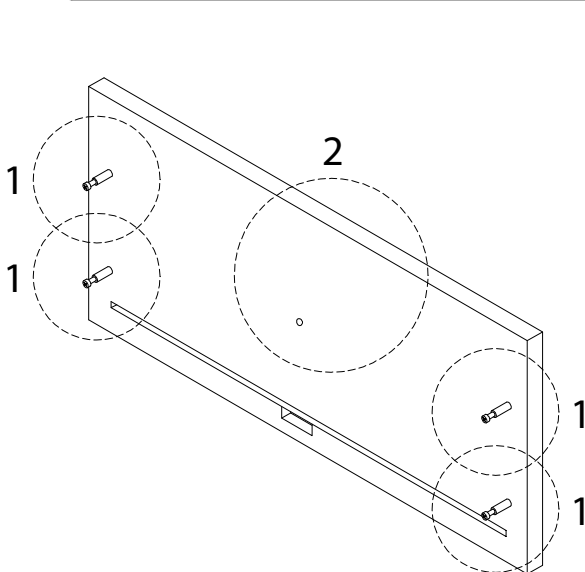
x 1

J

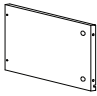
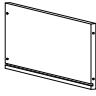

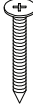


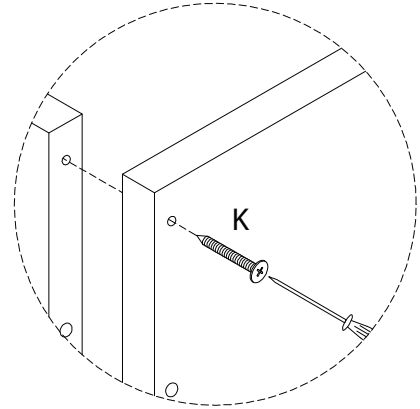
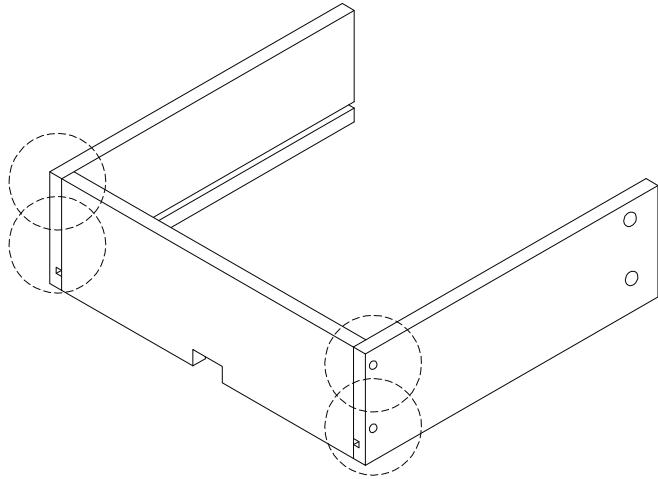
4  
x  
19

x 1




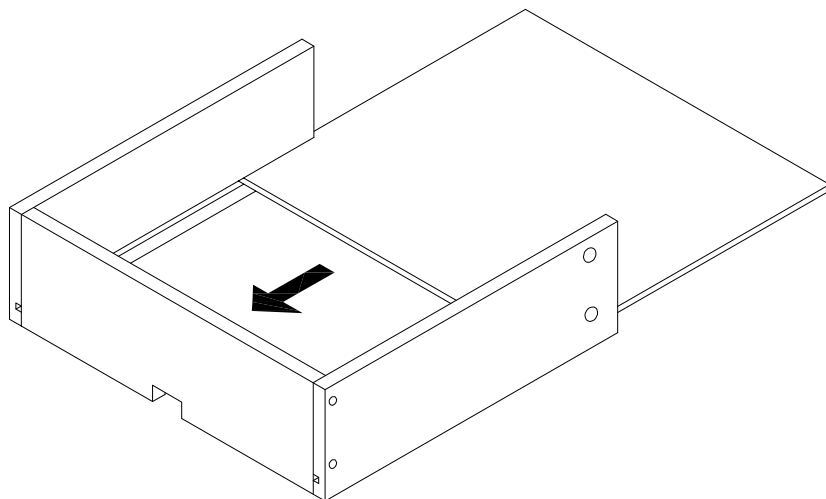
11 x 3

2  x 1	3  x 1	4  x 1	K  5 x 40 x 4
---	---	--	---



12 x 3

5  x 1
--

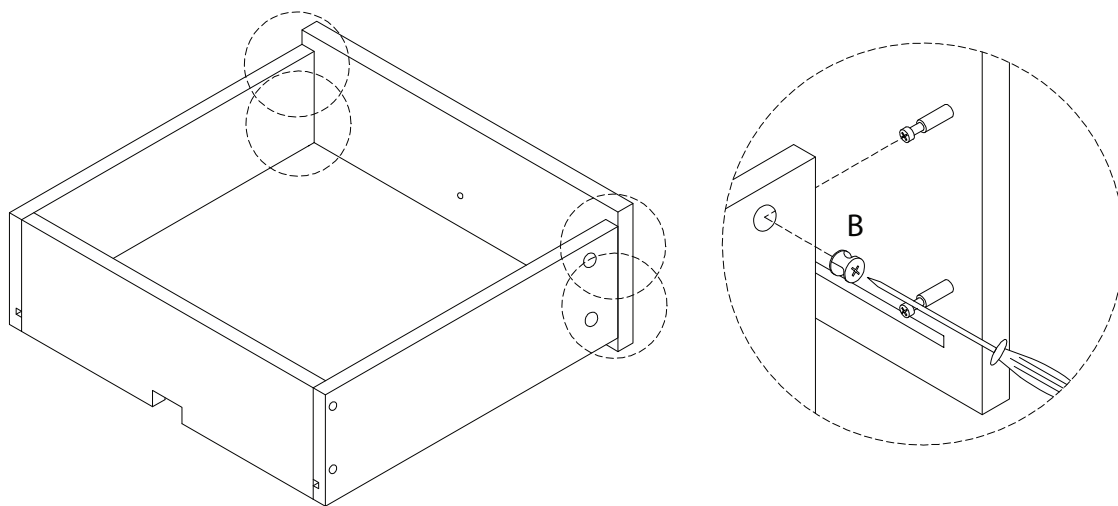


13 x 3

B



x 4

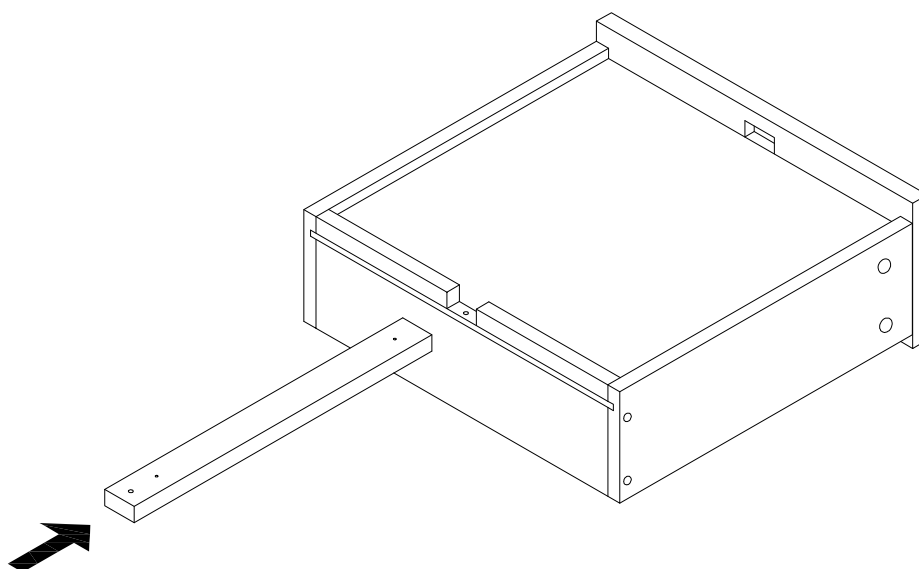


14 x 3

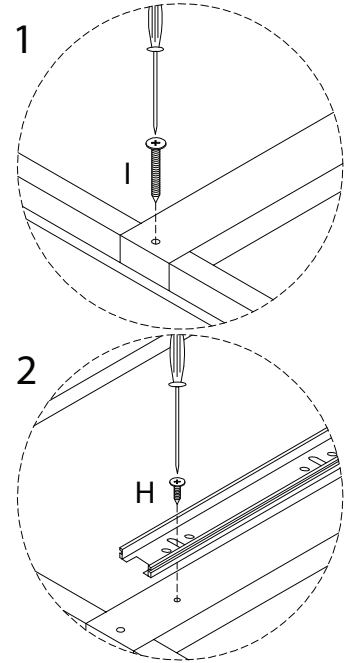
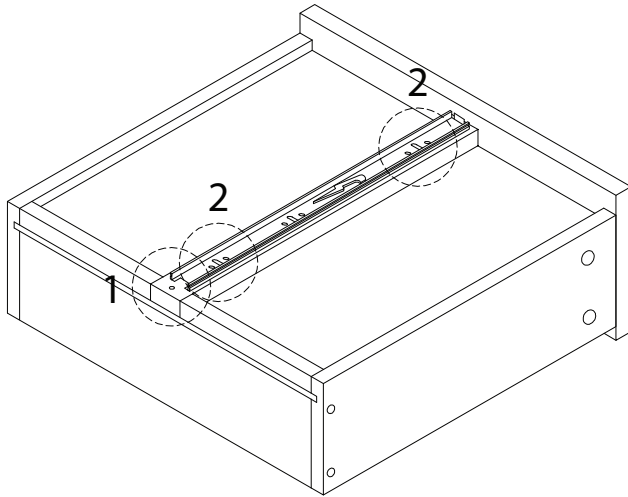
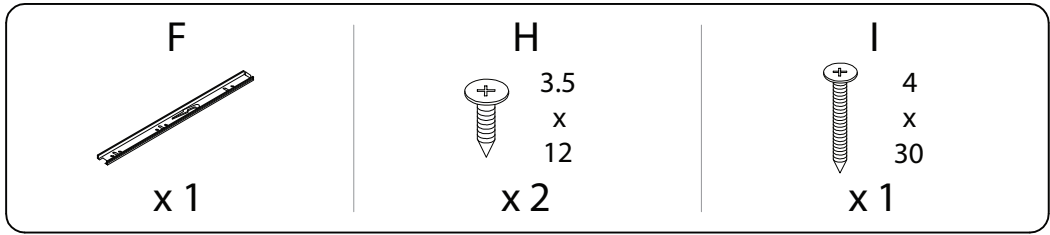
6



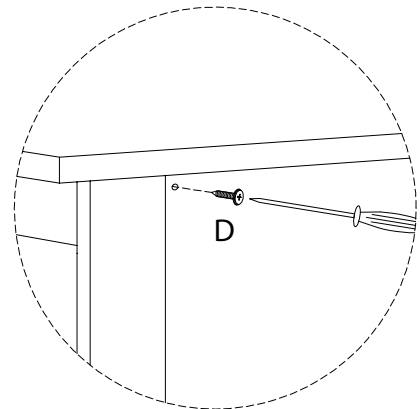
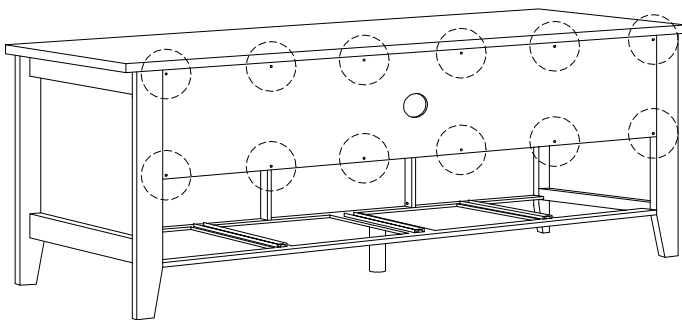
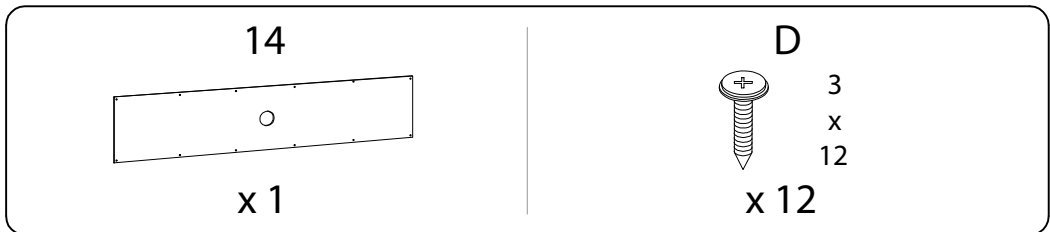
x 1



15 x 3



16



17

