

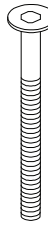
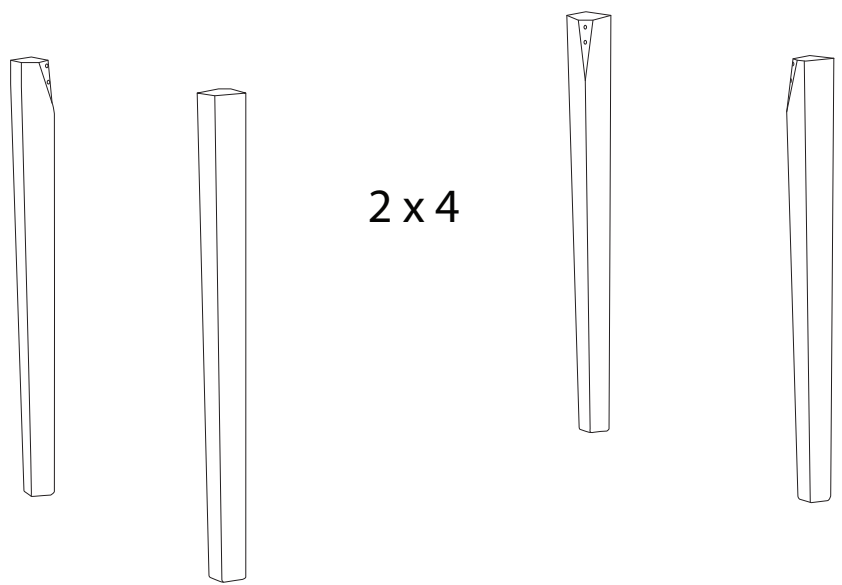
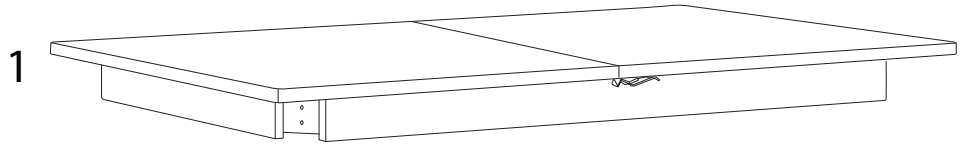
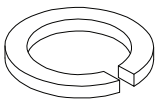
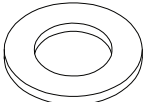
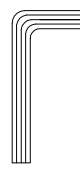


Diagram illustrating assembly instructions and safety warnings:







- Warning 1:** A triangle with an exclamation mark points to a box containing an L-shaped bracket and a power drill with a slash through it, indicating that a power drill should not be used for this step.
- Warning 2:** A triangle with an exclamation mark points to a box containing a rectangular block being placed on a surface and another block being cut with a saw, indicating that the surface should be protected and that cutting should be done carefully.
- Time:** A clock icon is shown next to the text "20'", indicating a 20-minute assembly time.
- Personnel:** An icon of a person is shown next to the number "2", indicating that two people are required for assembly.

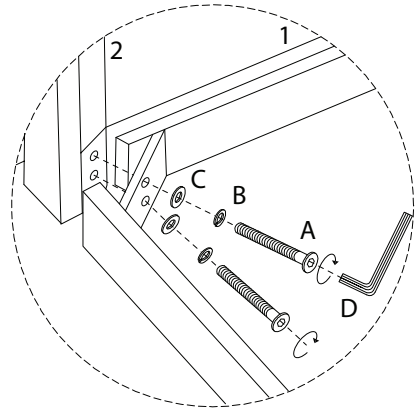
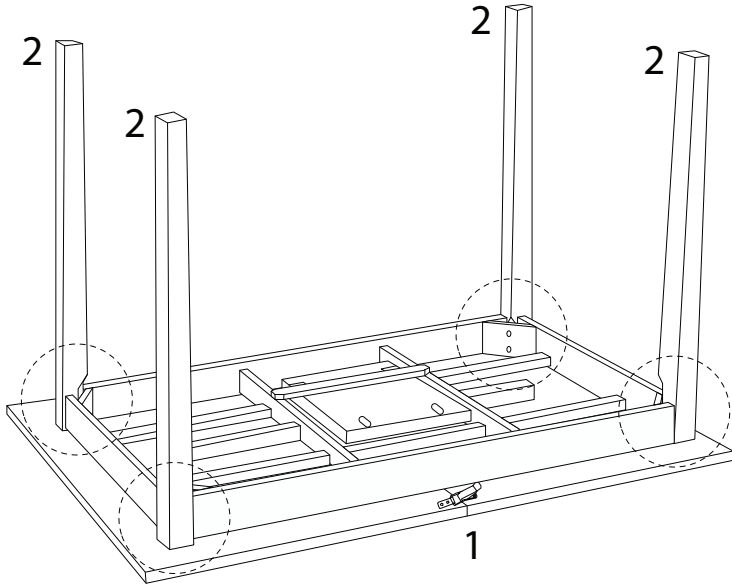
<p>1</p>  <p>x 1</p>	<p>2</p>  <p>x 4</p>	<p>A</p>  <p>M6 x 60</p> <p>x 8</p>
---	---	---



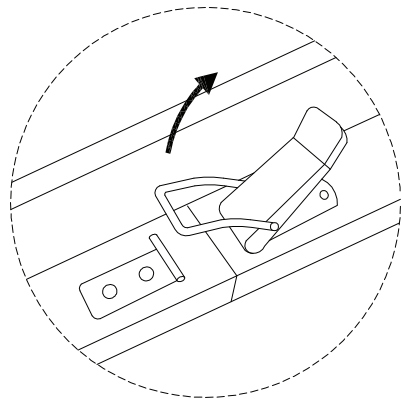
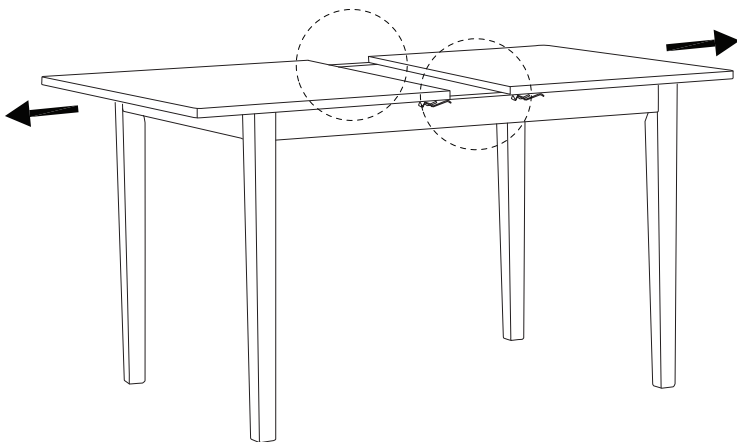
<p>B</p>  <p>x 8</p>	<p>C</p>  <p>x 8</p>	<p>D</p>  <p>x 1</p>
---	---	---

1

<p>1</p>  <p>x 1</p>	<p>2</p>  <p>x 4</p>	<p>A</p>  <p>M6 x 60</p> <p>x 8</p>	<p>B</p>  <p>x 8</p>	<p>C</p>  <p>x 8</p>	<p>D</p>  <p>x 1</p>
---	---	--	--	---	---



2



3

