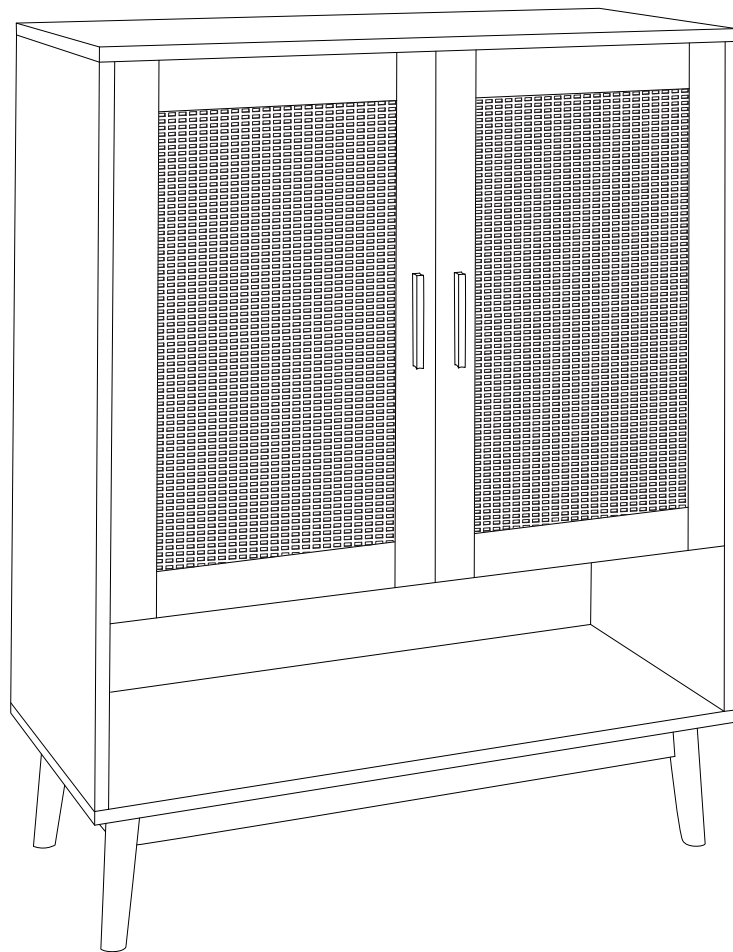
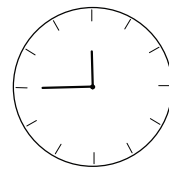
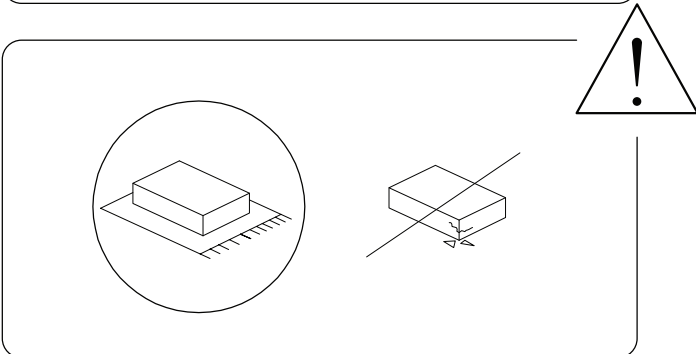
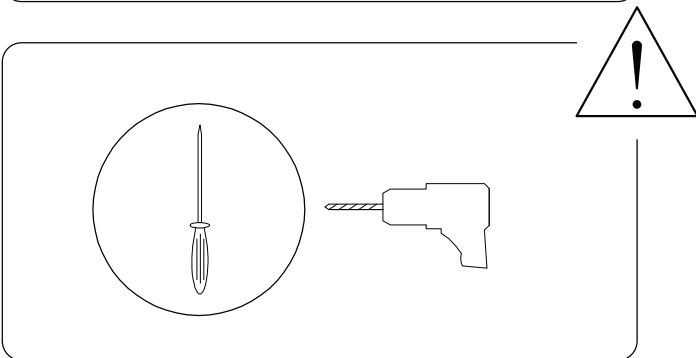
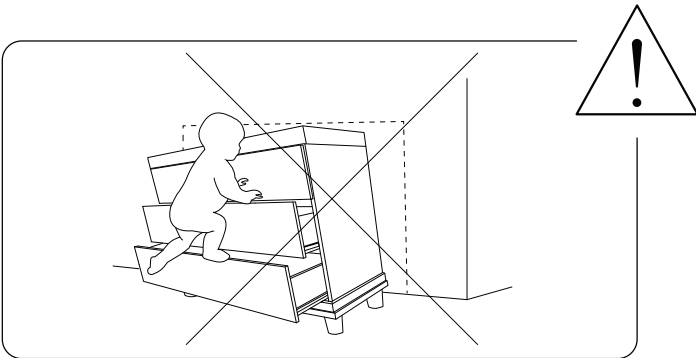
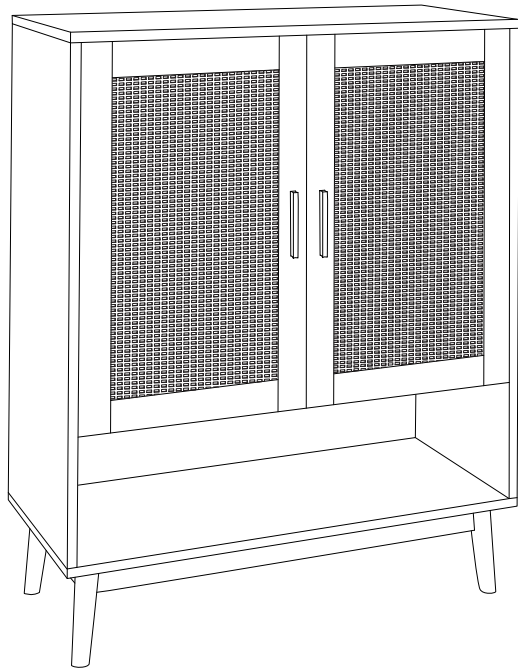
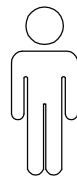


PEROTE

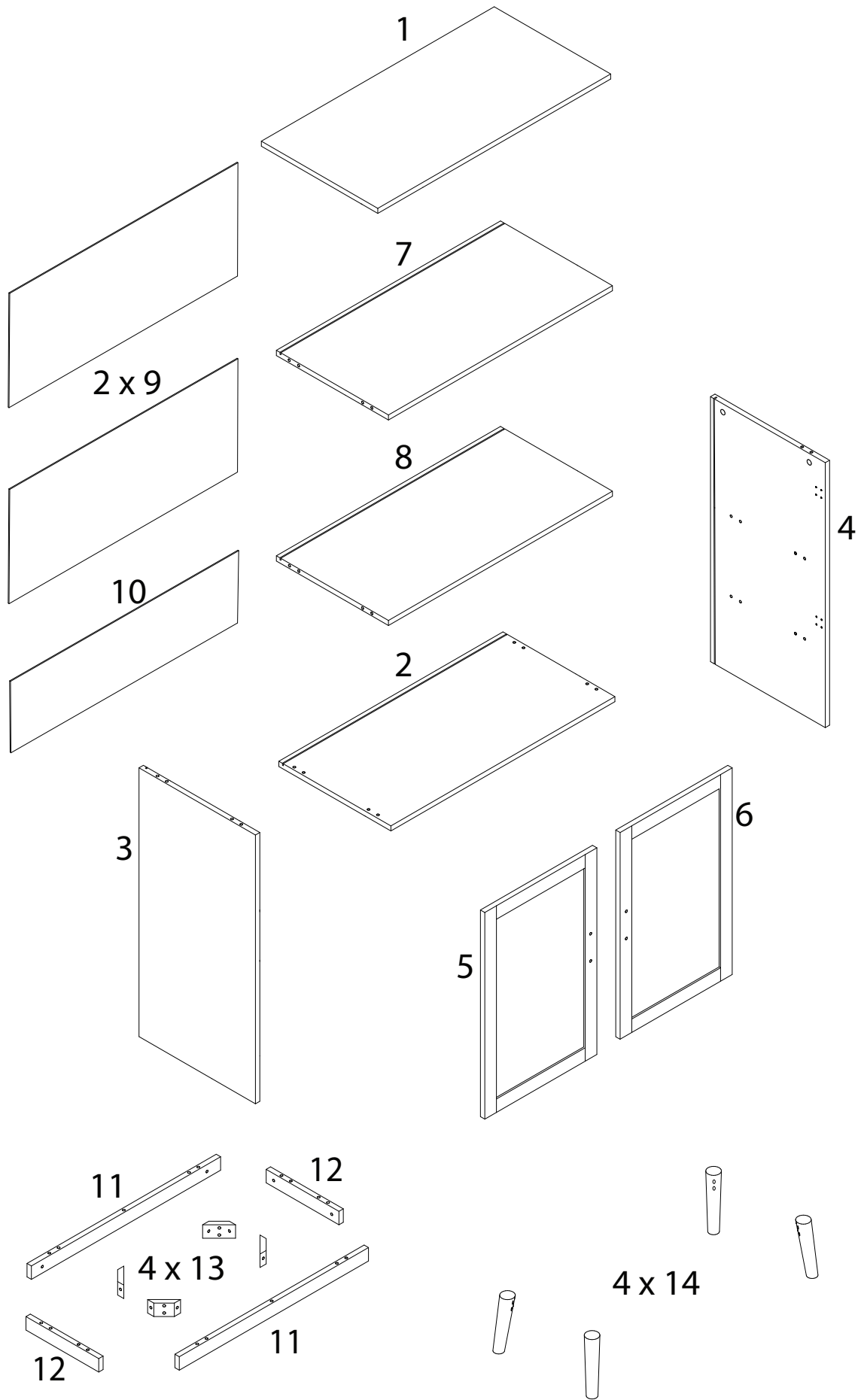




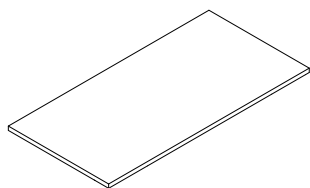
45'



2

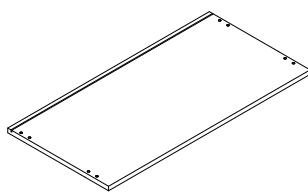


1



x 1

2



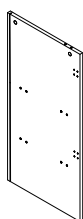
x 1

3



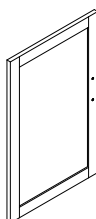
x 1

4



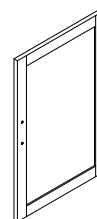
x 1

5



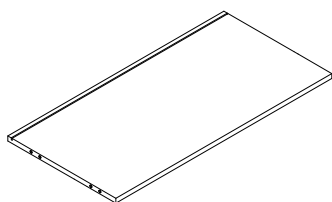
x 1

6



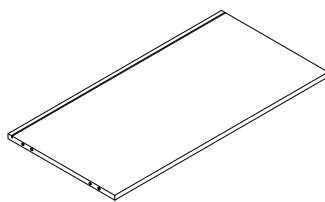
x 1

7



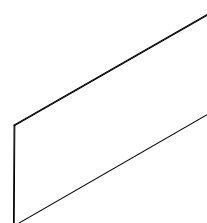
x 1

8



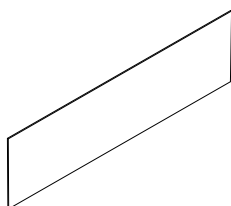
x 1

9



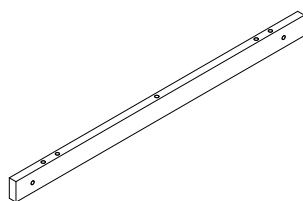
x 2

10



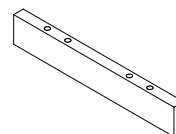
x 1

11



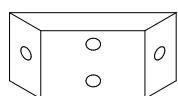
x 2

12



x 2

13



x 4

14



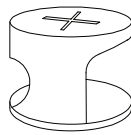
x 4

A



x 12

B



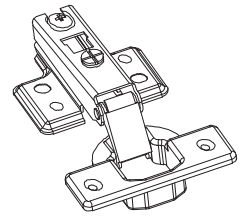
x 12

C



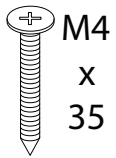
x 24

D



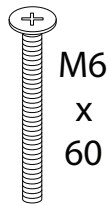
x 4

E



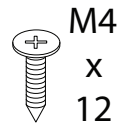
x 4

F



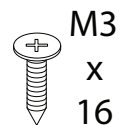
x 8

G



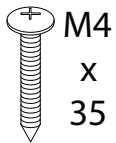
x 24

H



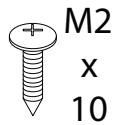
x 12

J1



x 2

J2



x 2

J3



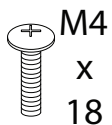
x 2

J4



x 2

K



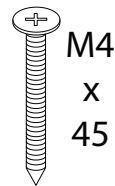
x 4

L



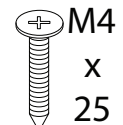
x 2

M



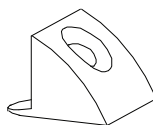
x 10

N



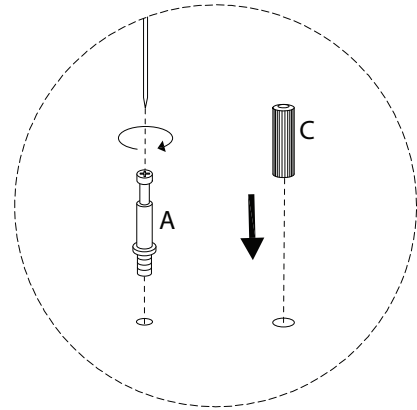
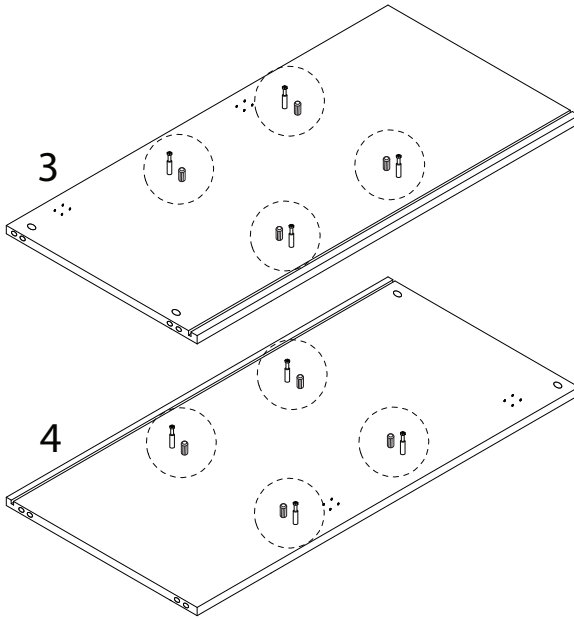
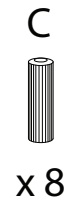
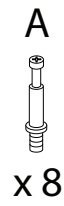
x 8

U

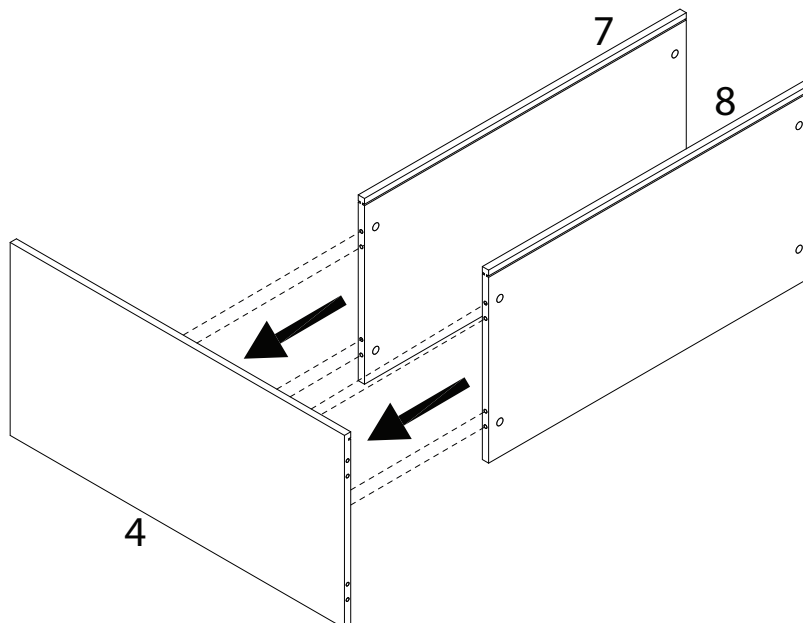
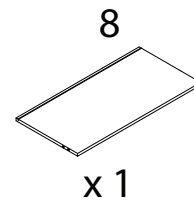
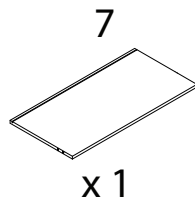


x 12

1



2

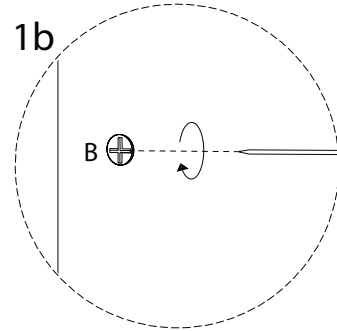
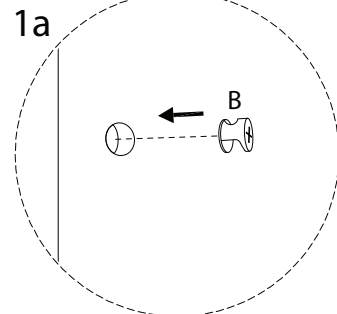
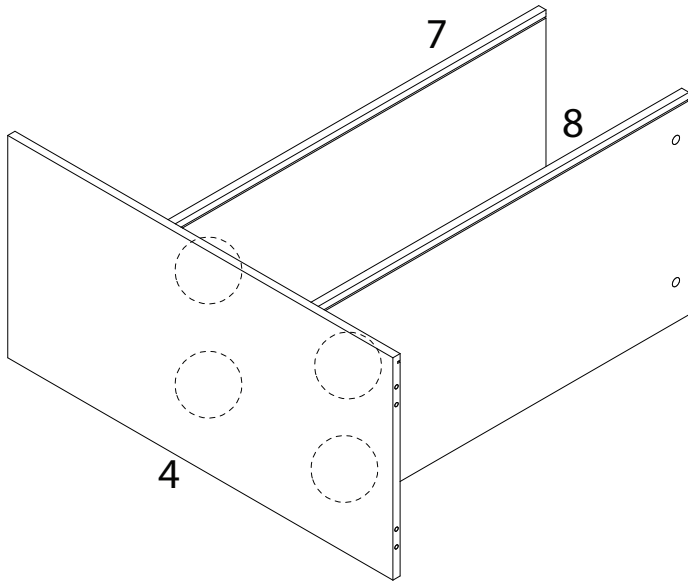


3

B

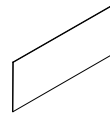


x 4

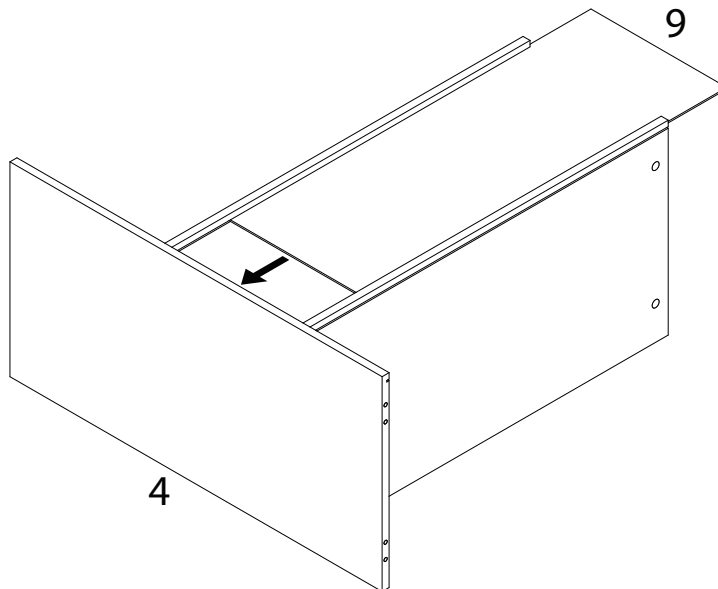


4

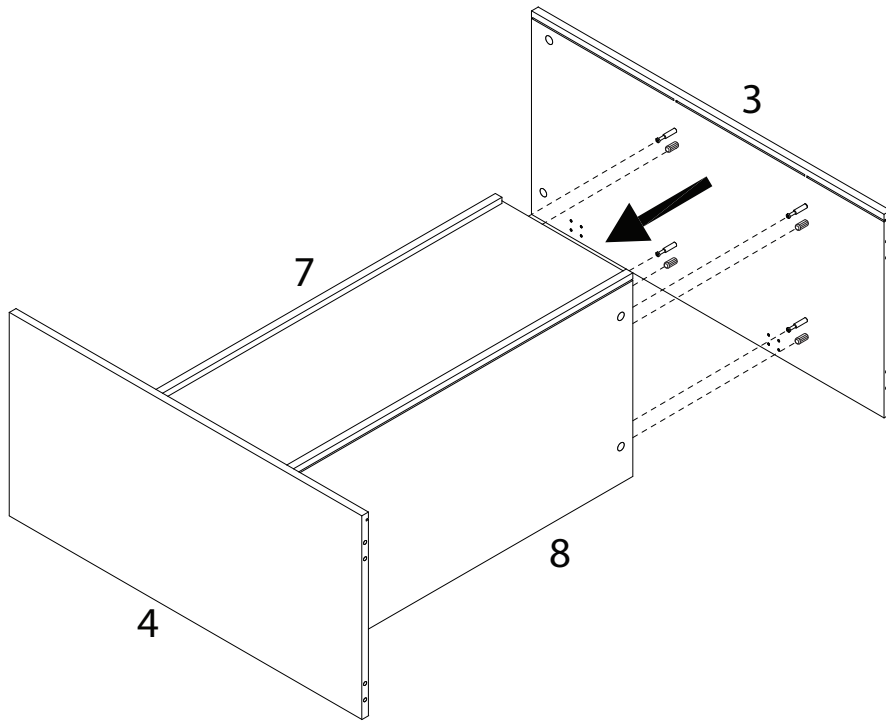
9



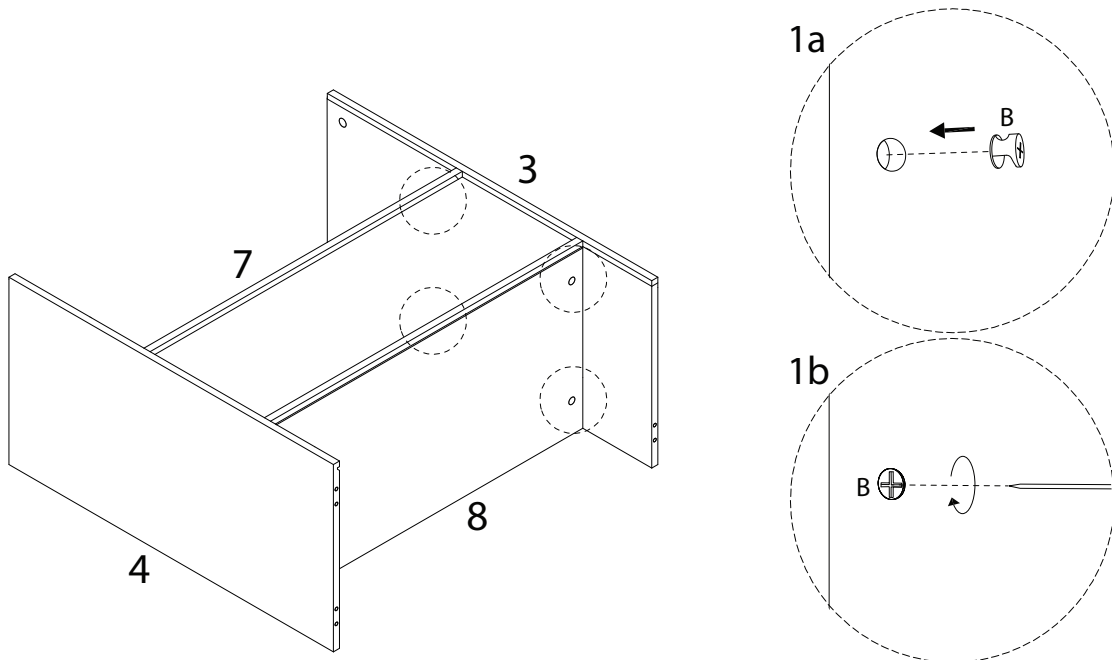
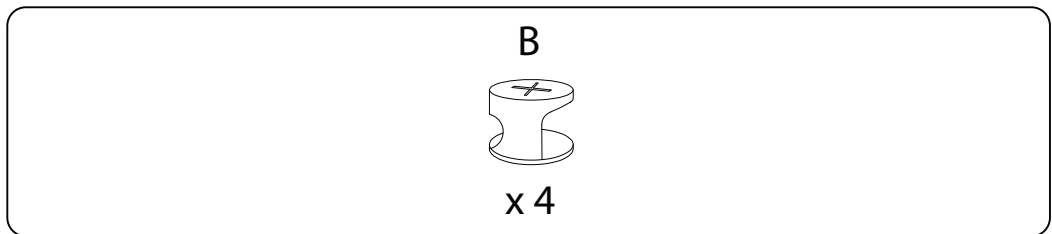
x 1



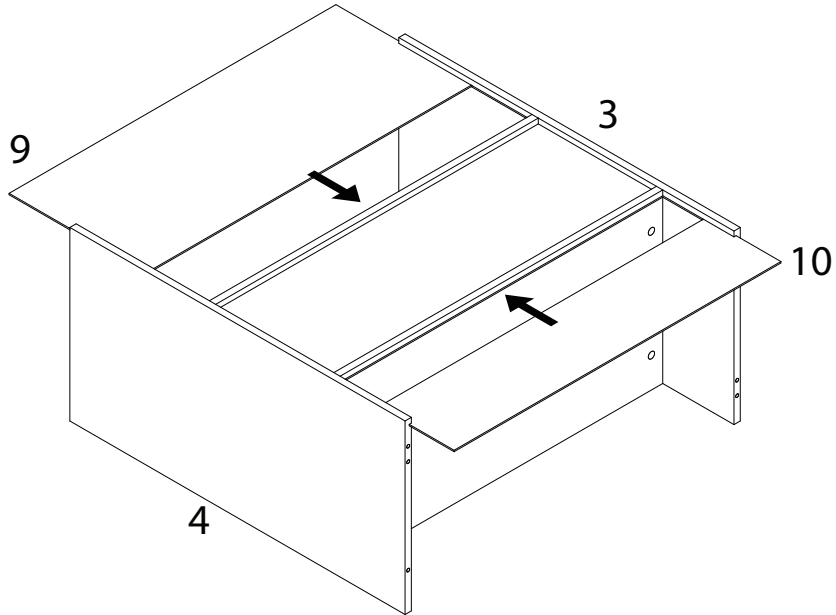
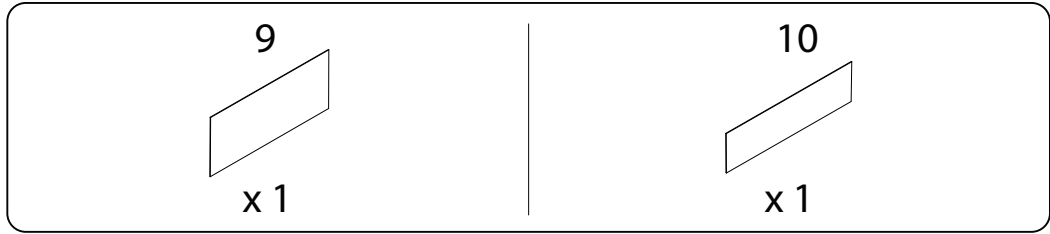
5



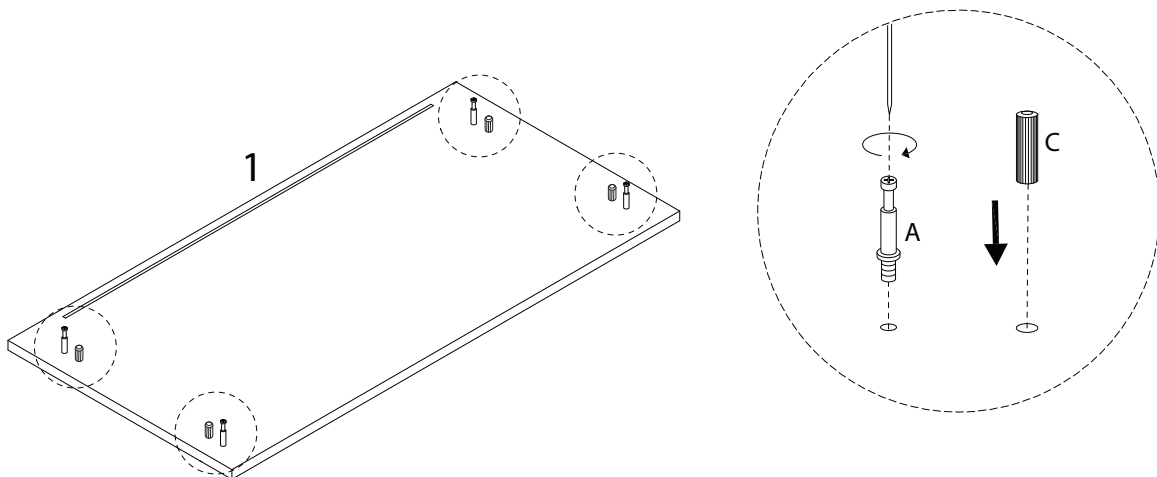
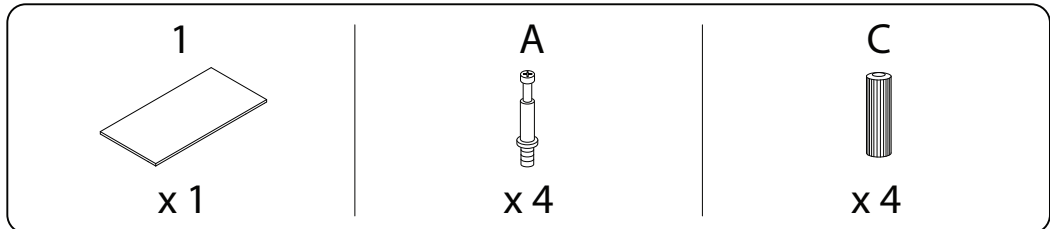
6



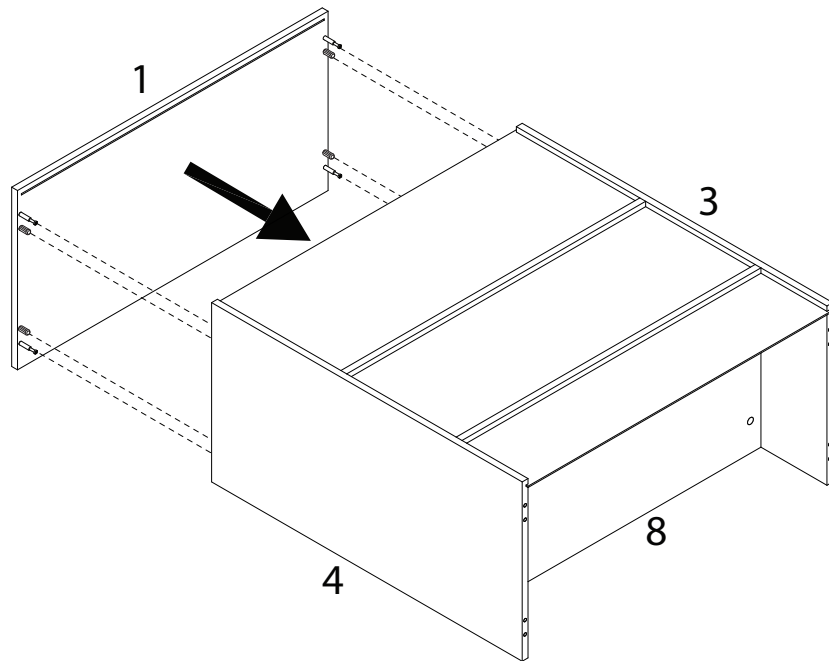
7



8



9

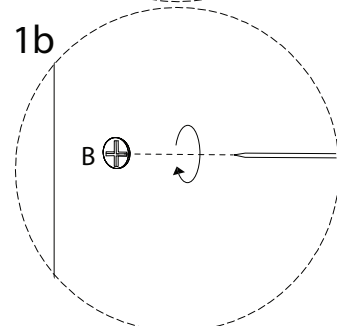
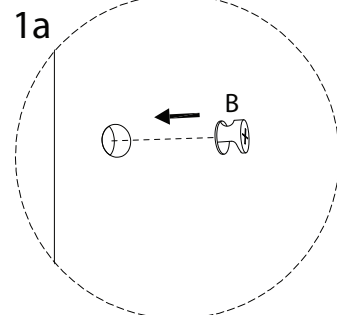
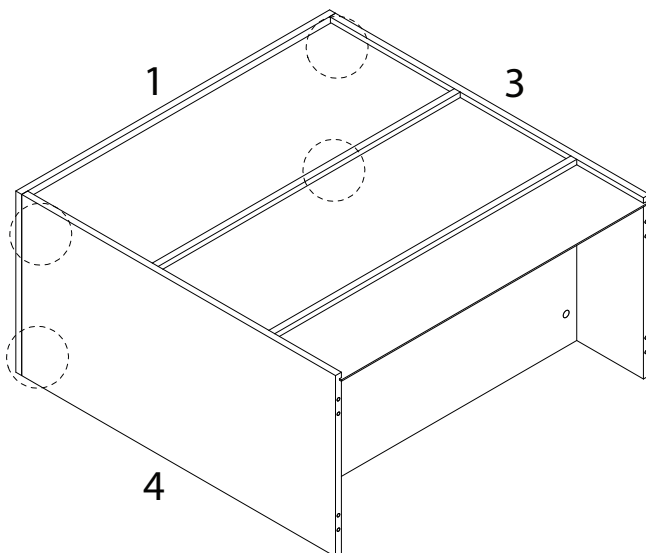


10

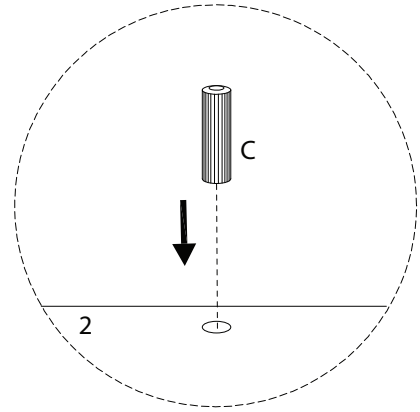
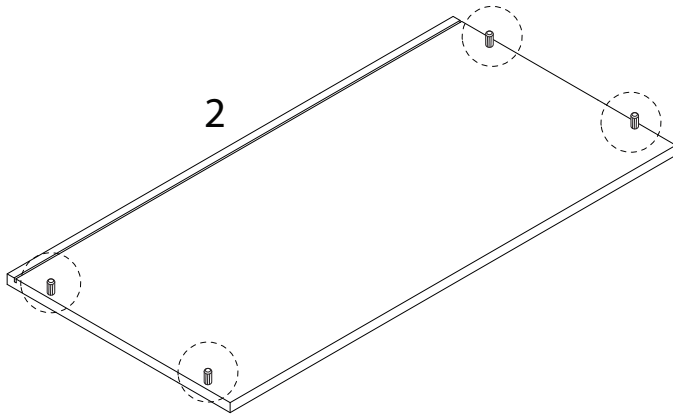
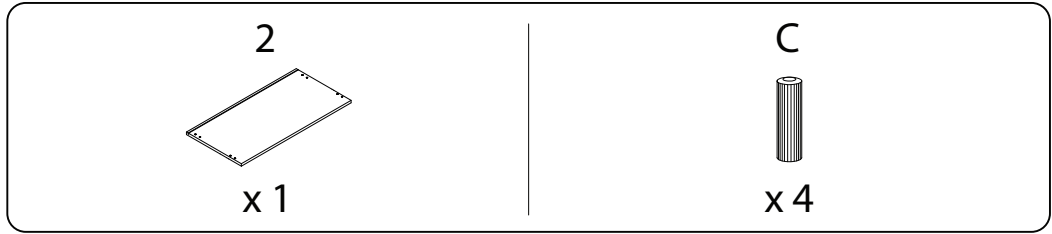
B



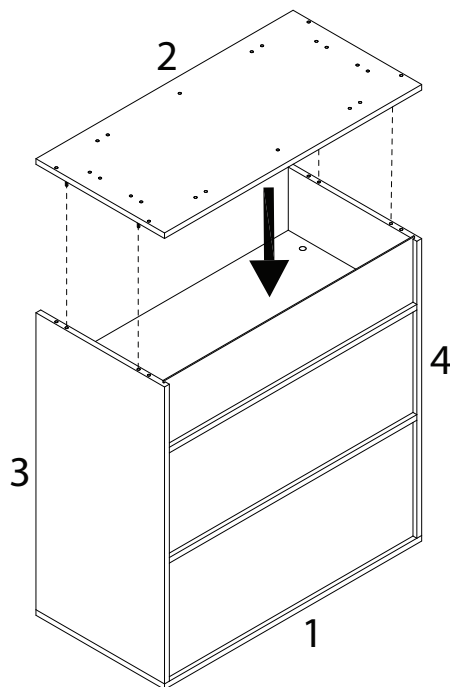
x 4



11

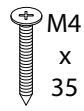


12

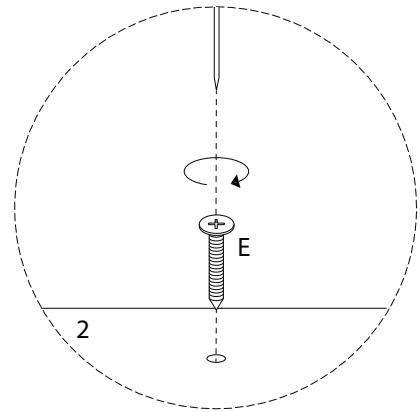
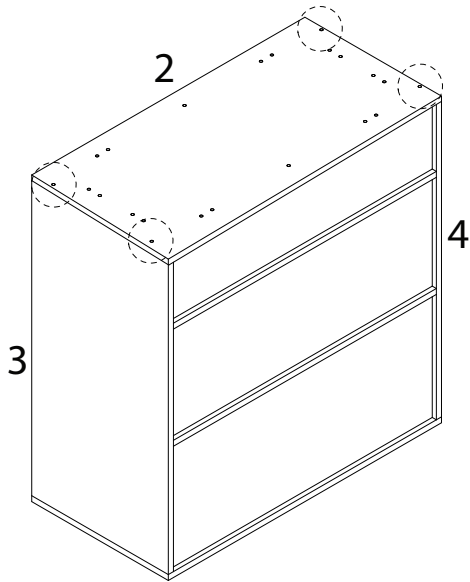


13

E



x 4

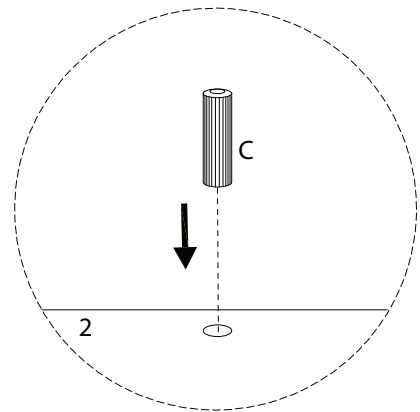
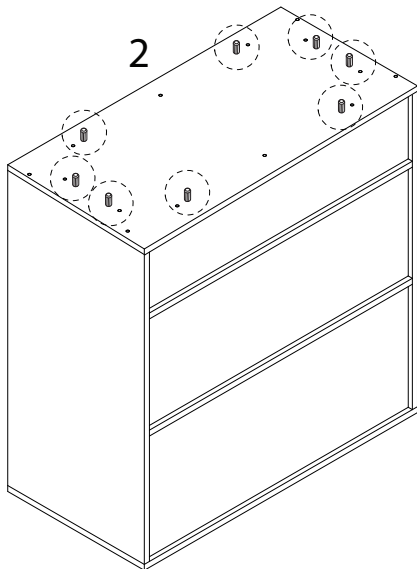


14

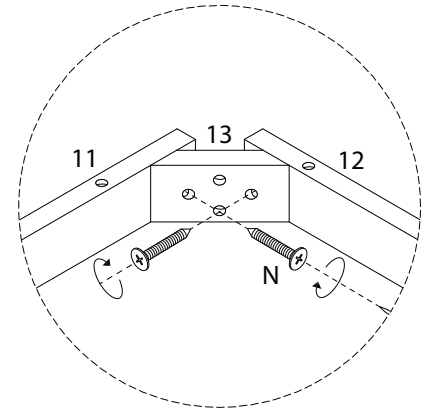
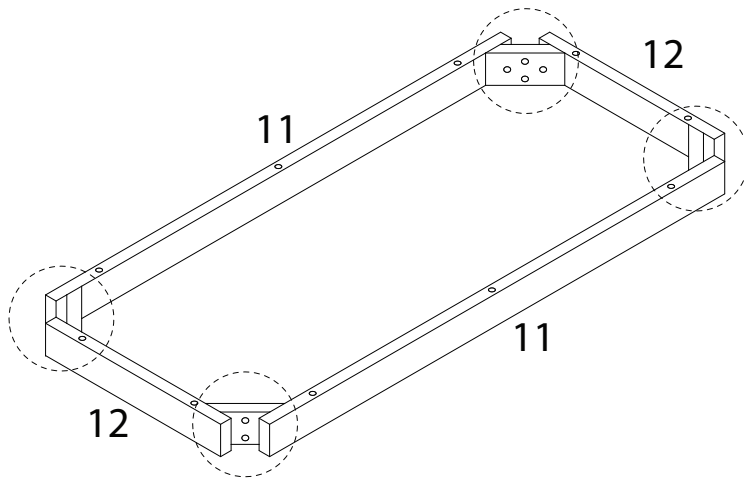
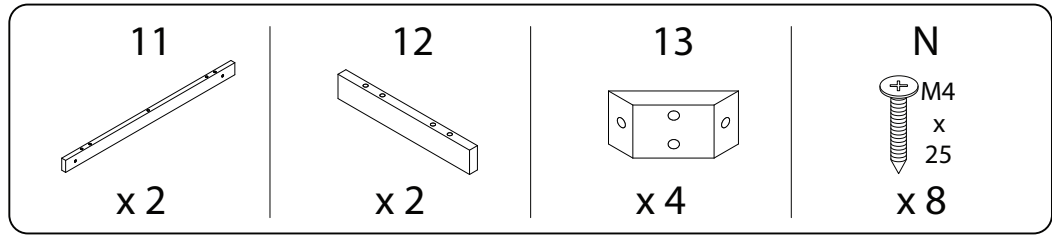
C



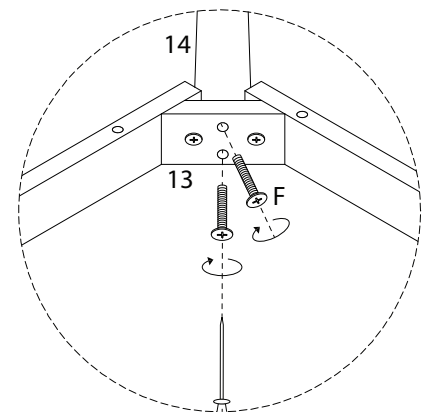
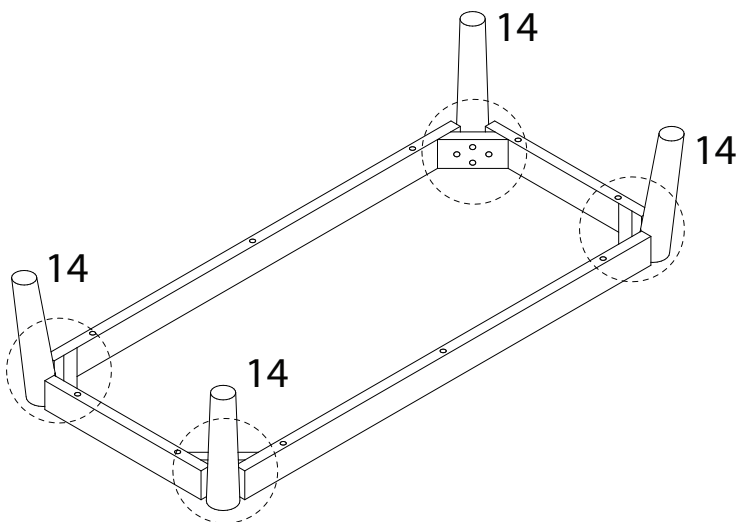
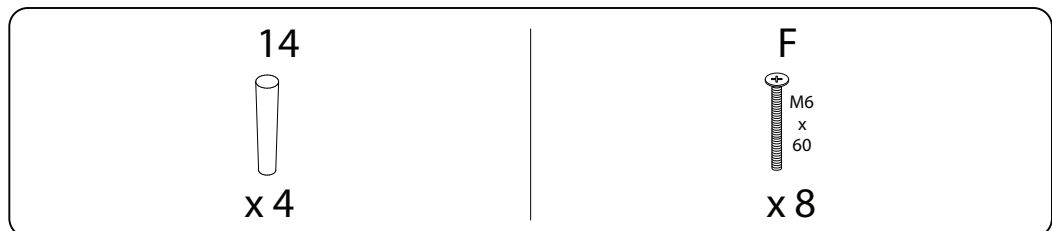
x 8



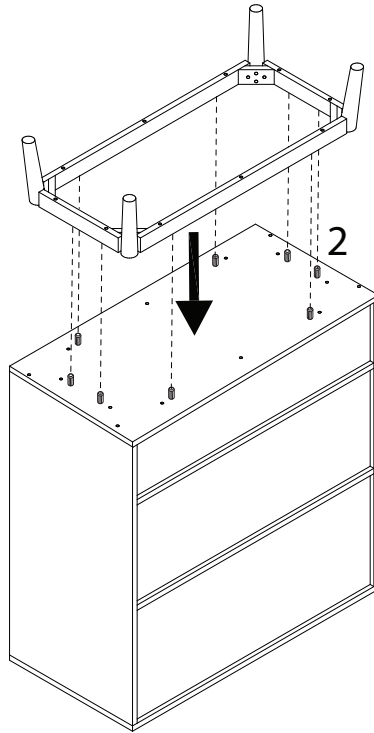
15



16

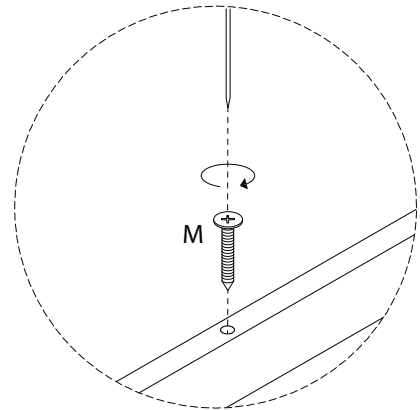
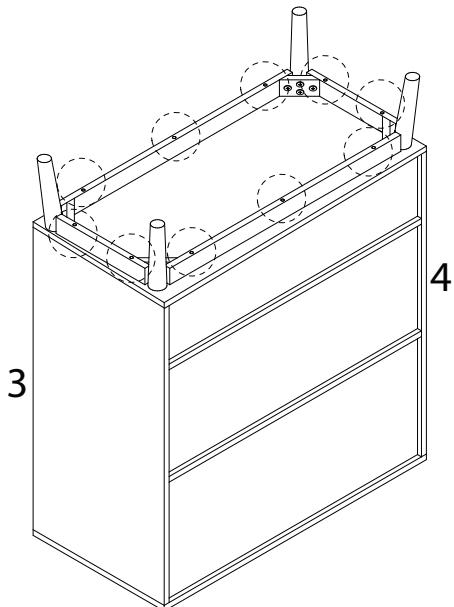


17



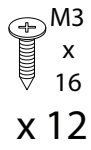
18

M
M4
x
45
x 10

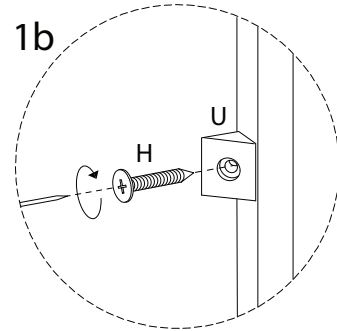
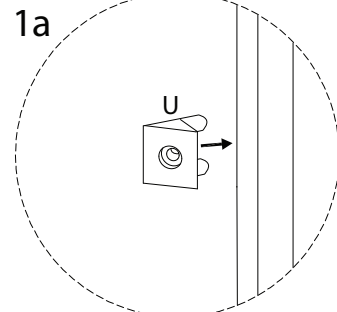
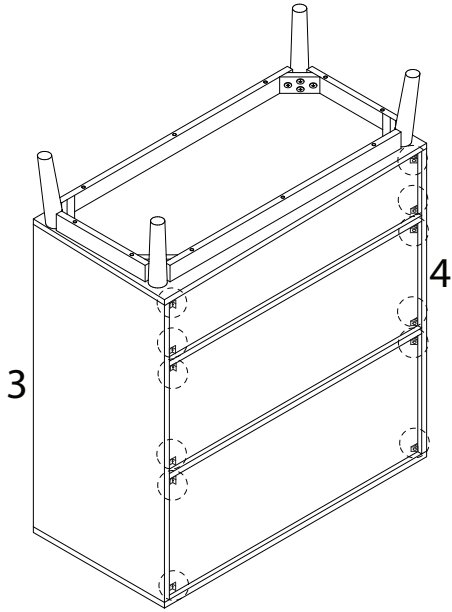


19

H

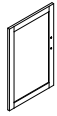


U



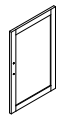
20

5



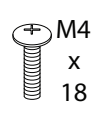
x 1

6



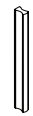
x 1

K

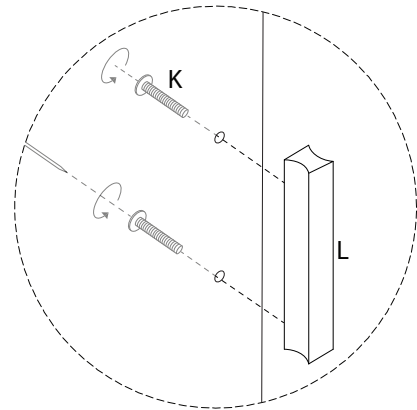
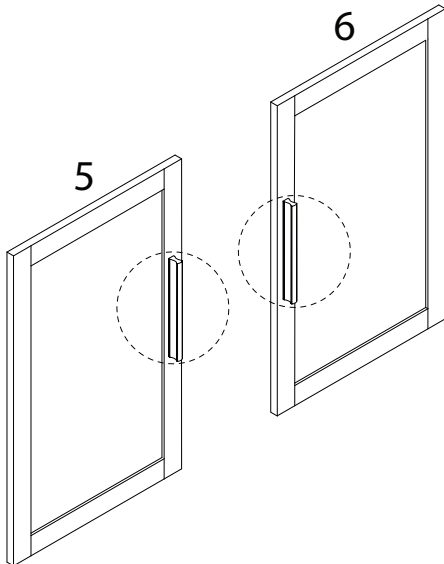


x 4

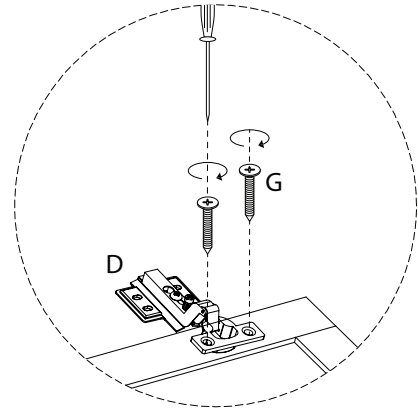
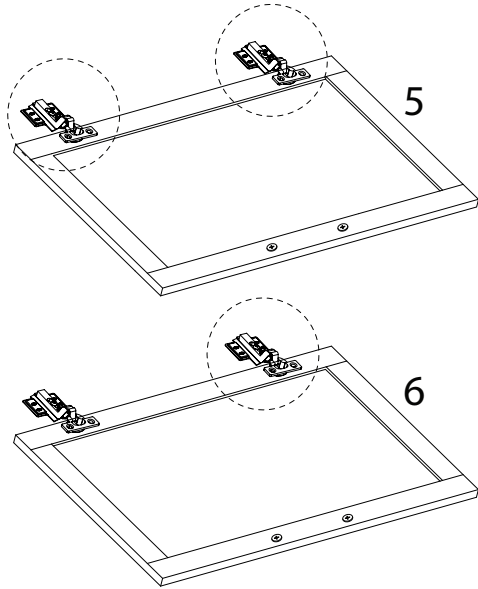
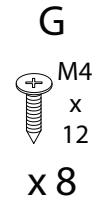
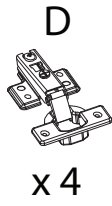
L



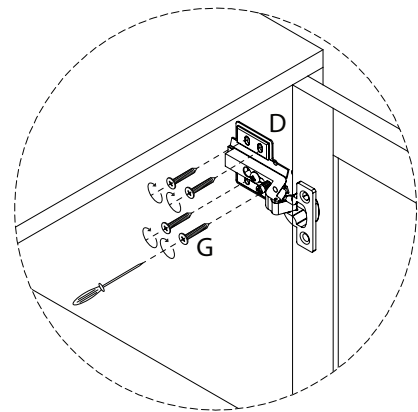
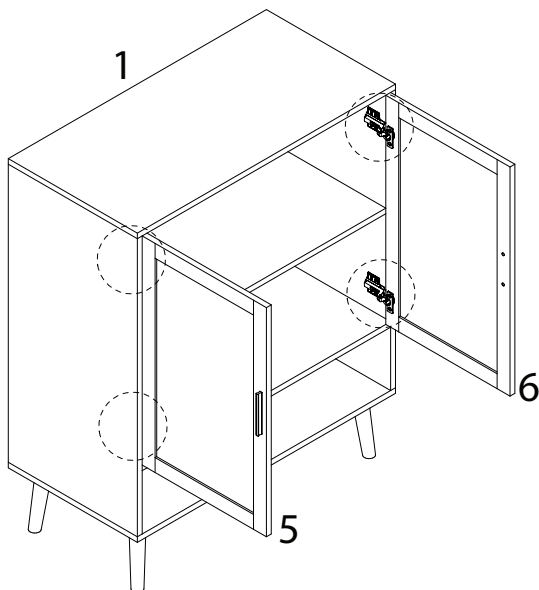
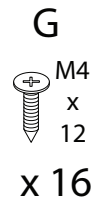
x 2



21



22



23

J1
M4
x
35
x 2

J2
M2
x
10
x 2

J3
x 2

J4
x 2

