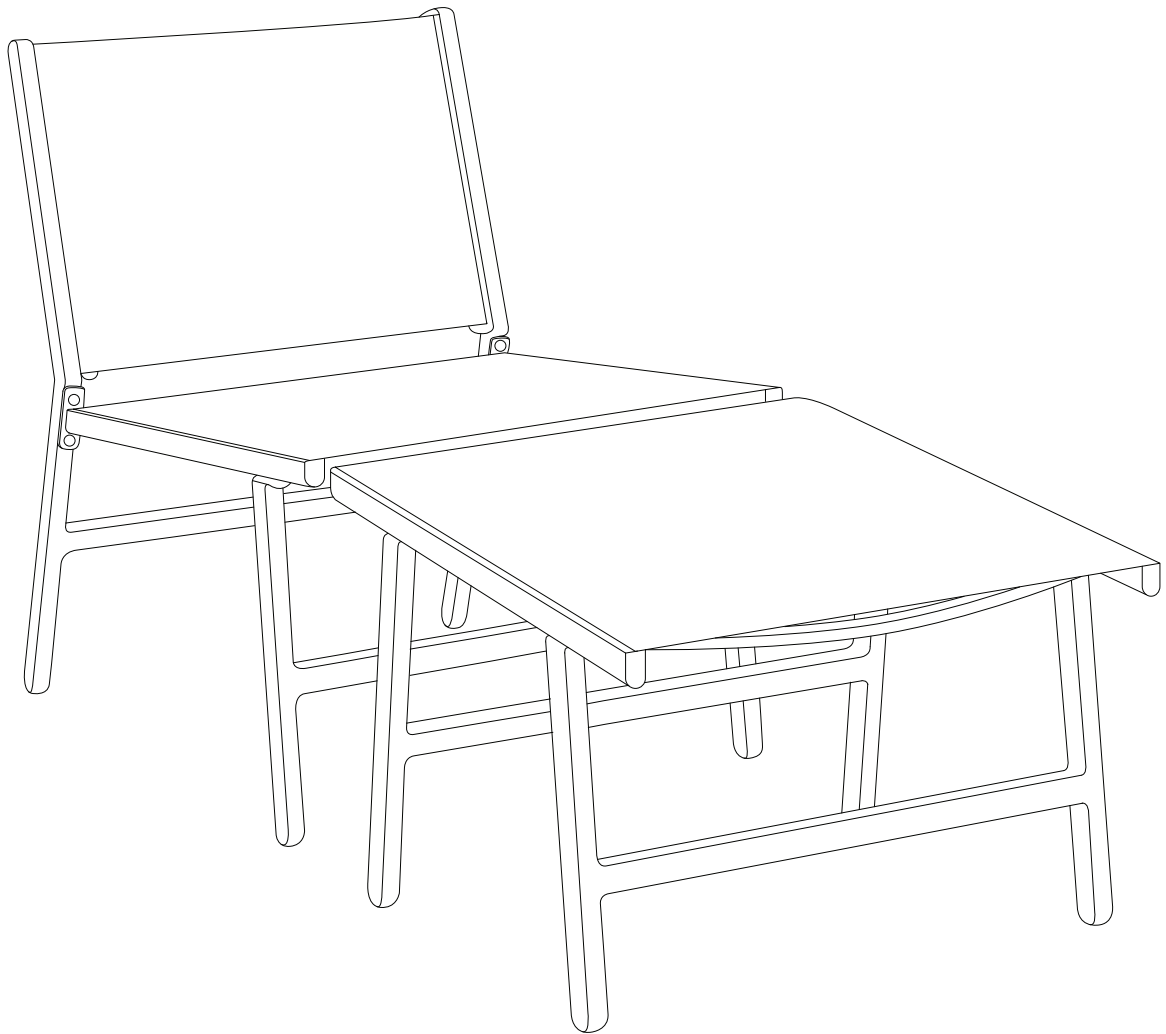


MARCEDDI



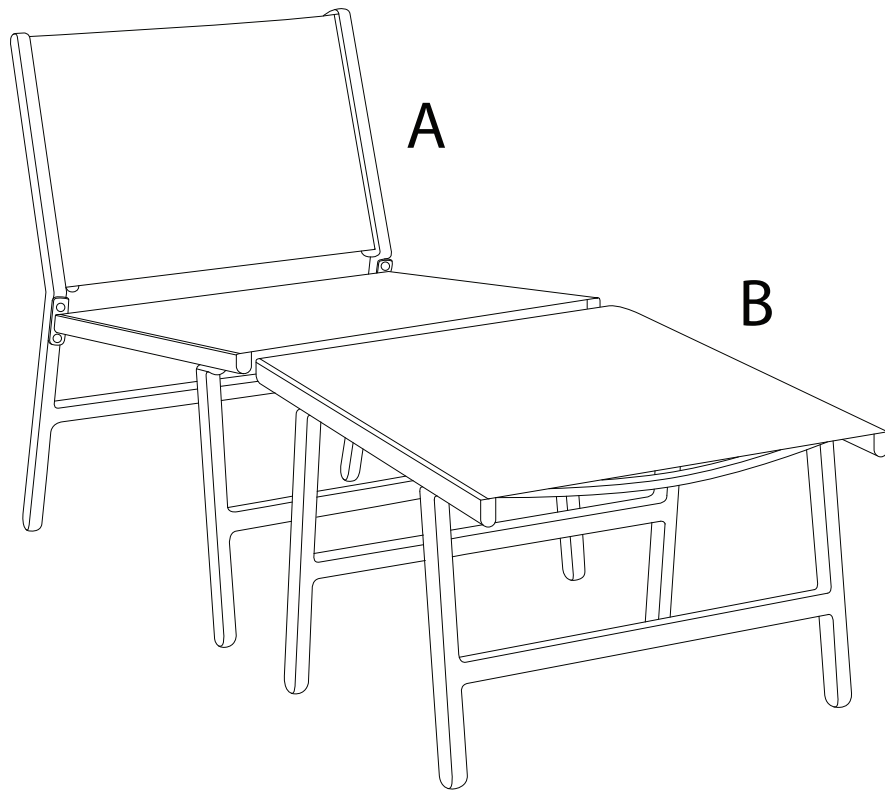
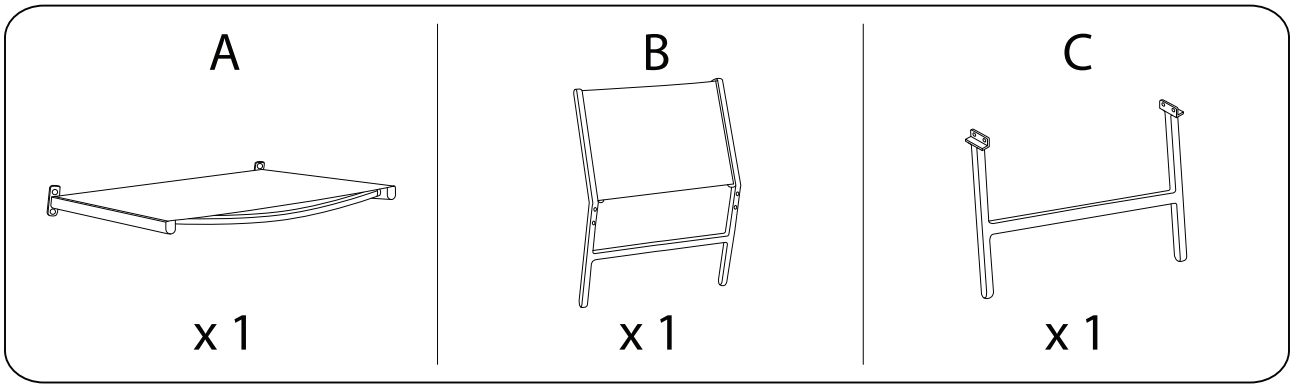


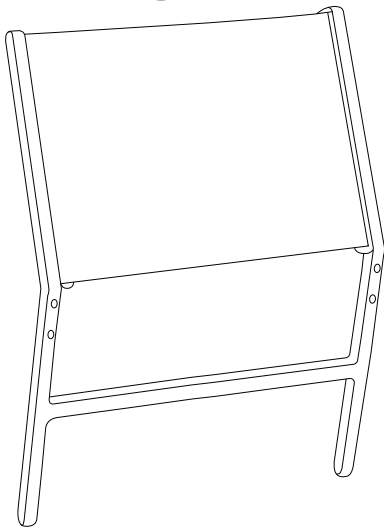
Diagram illustrating assembly steps and safety warnings:

- Step 1:** Shows an L-shaped metal bracket being inserted into a hole in the chair seat. A power drill is shown with a diagonal line through it, indicating that a power drill should not be used for this step. A warning triangle with an exclamation mark is positioned above this step.
- Step 2:** Shows a rectangular block being placed on a surface. A power drill is shown with a diagonal line through it, indicating that a power drill should not be used for this step. A warning triangle with an exclamation mark is positioned above this step.
- Time:** A clock icon indicates a duration of 45 minutes.
- Personnel:** An icon of a person indicates that 1 person is required for the assembly.

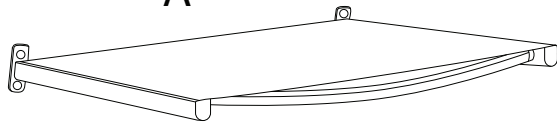
A



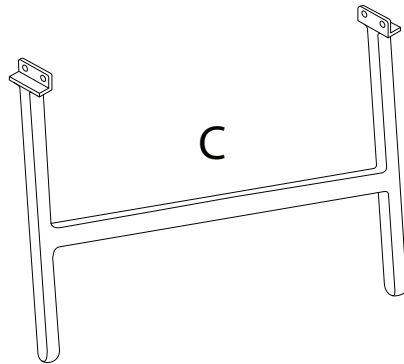
B



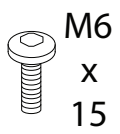
A



C

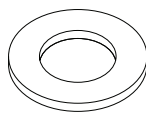


D



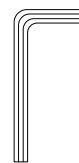
x 8

E



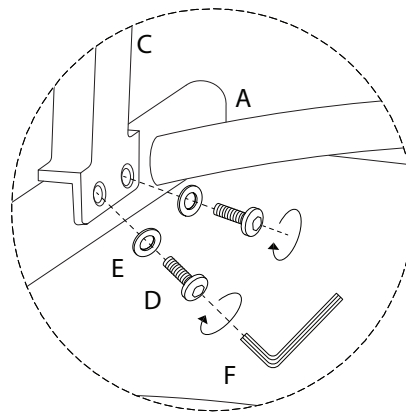
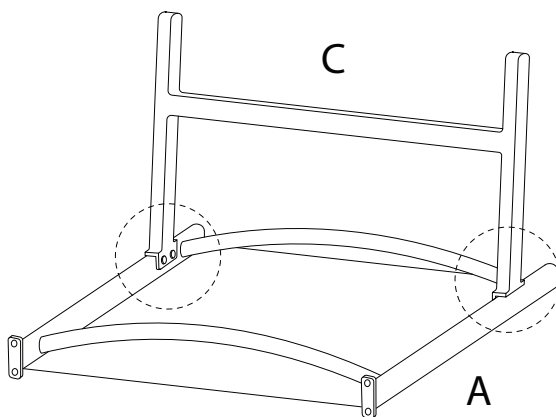
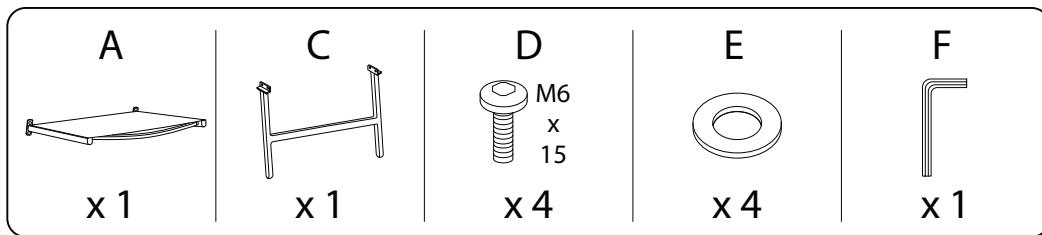
x 8

F

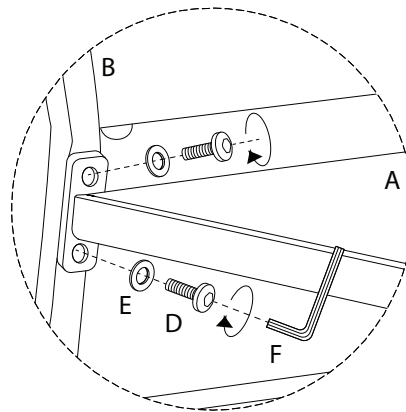
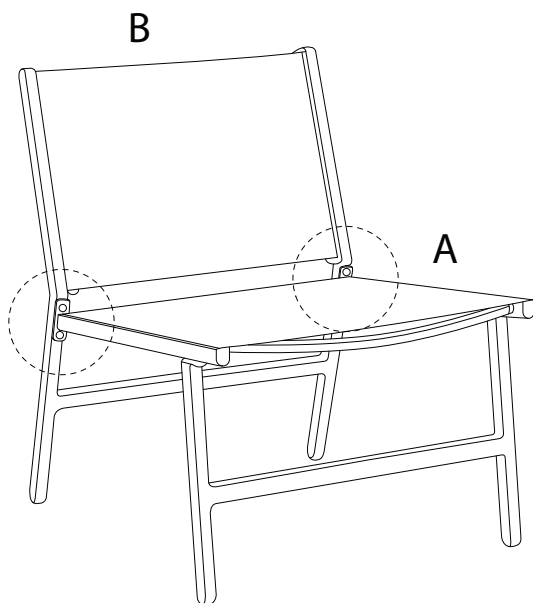
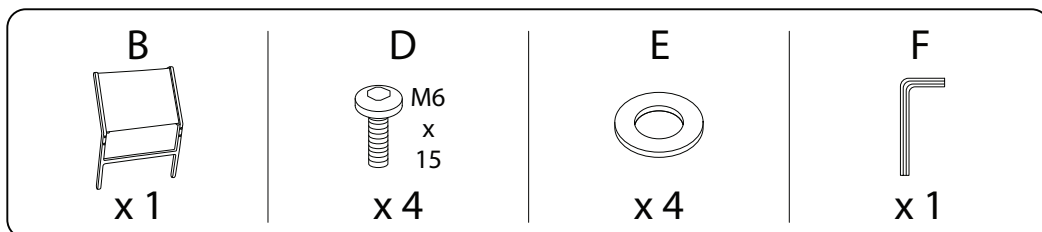


x 1

1

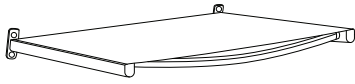


2



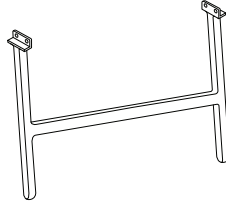
B

A



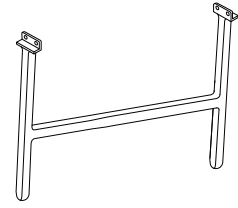
x 1

B



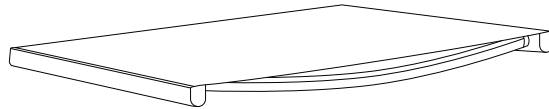
x 1

C

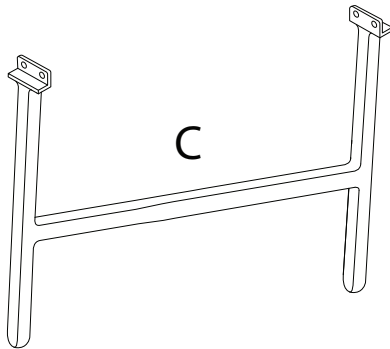


x 1

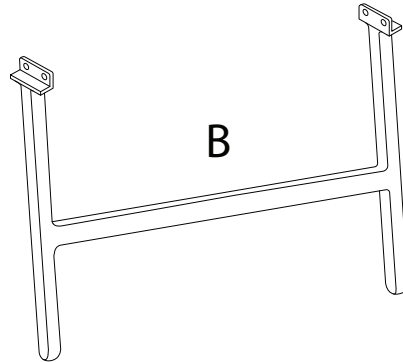
A



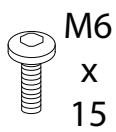
C



B

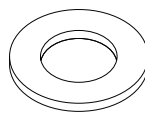


D



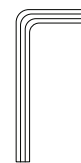
x 8

E



x 8

F



x 1

1

