







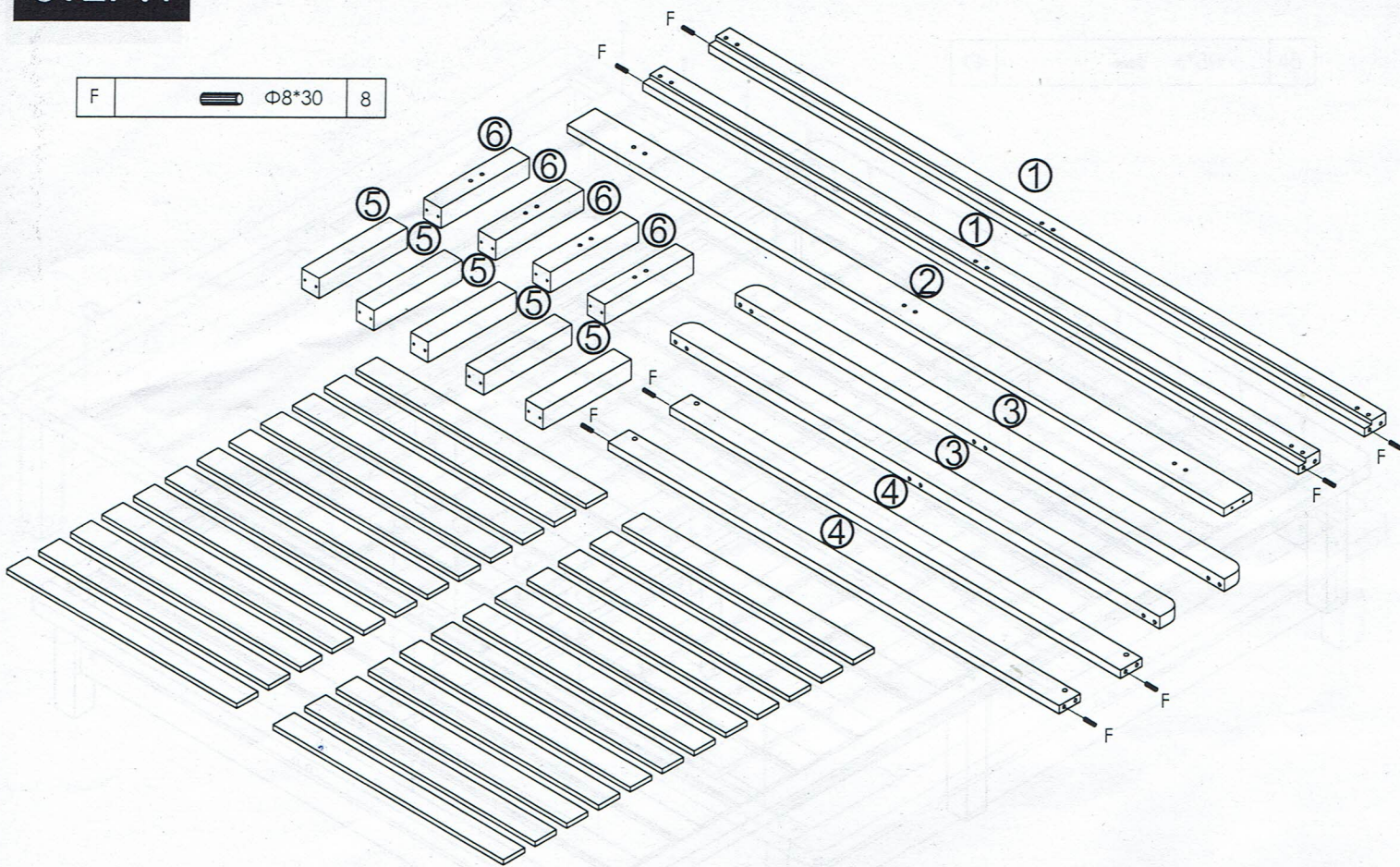



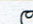

A		M6*90	8
B			8
C		Φ6*70	12
D		Φ6*90	4
E		Φ7*60	6
F		Φ8*30	8
G		4*30	48
H			1

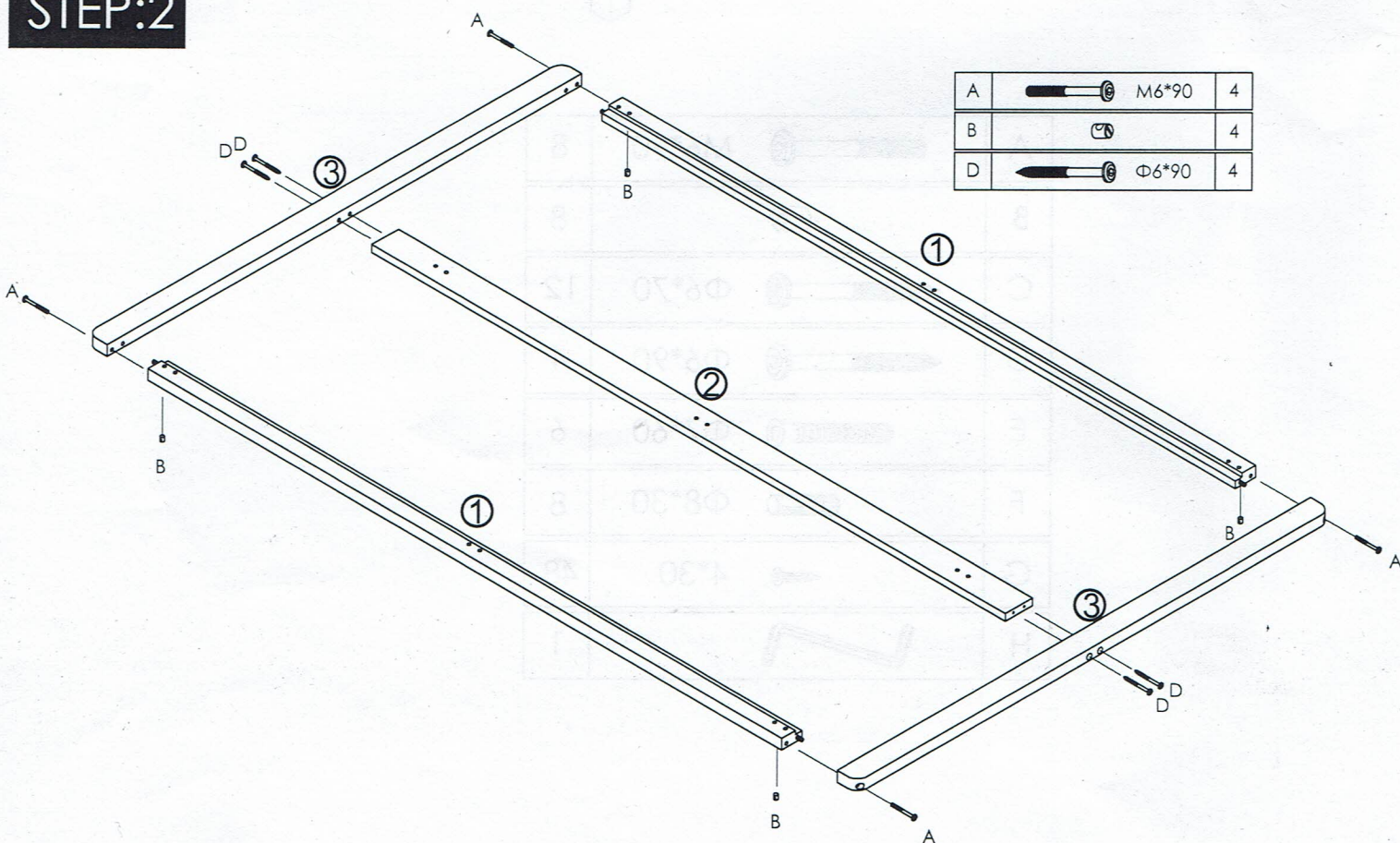
STEP:1

F		Φ8*30	8
---	---	-------	---





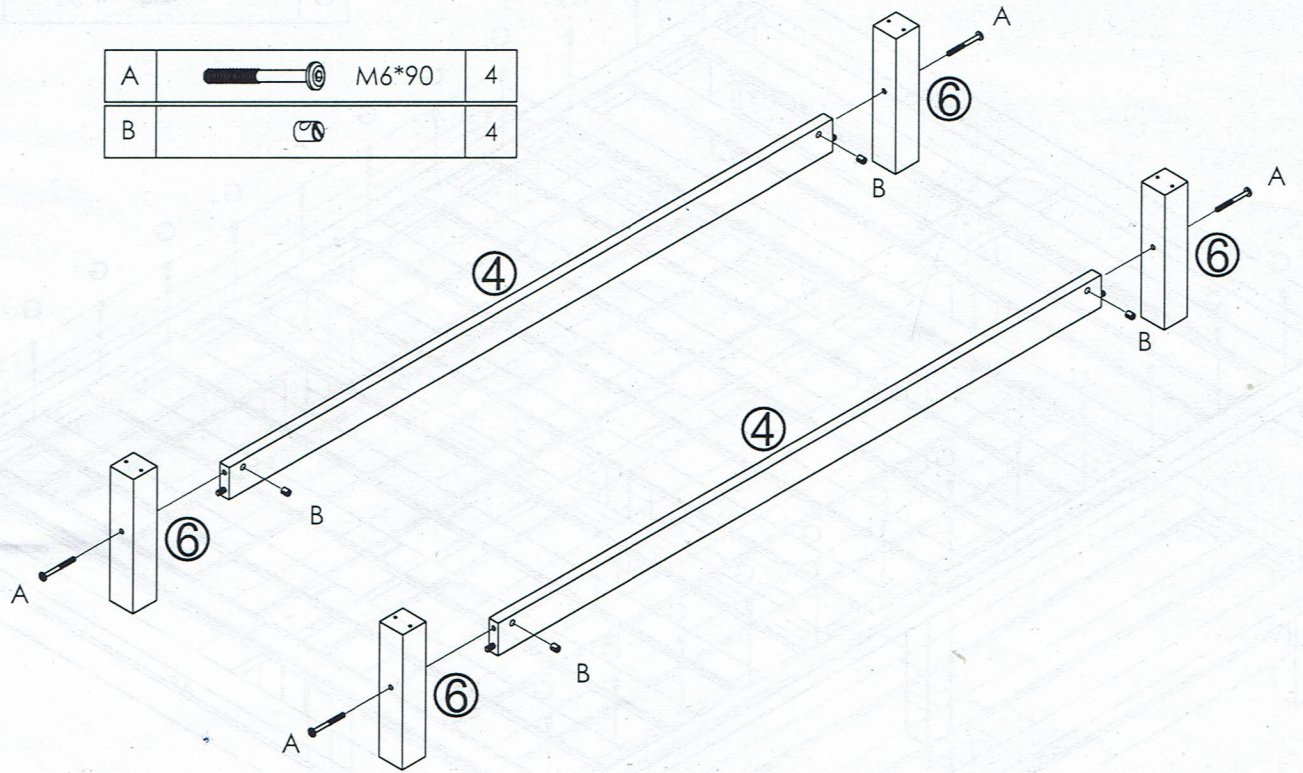
STEP:2

A		M6*90	4
B			4
D		Φ6*90	4


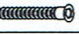


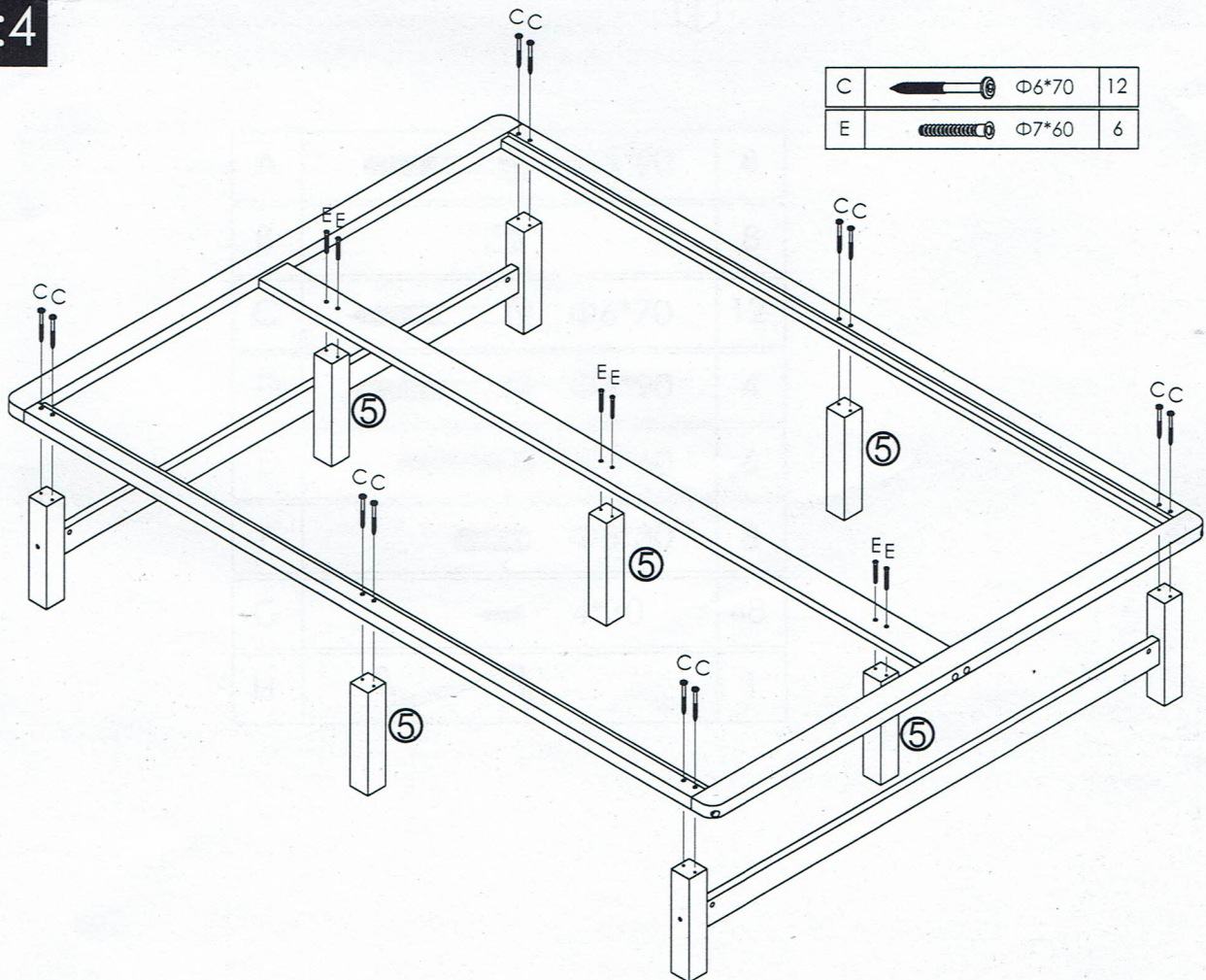
STEP:3

A		M6*90	4
B			4



STEP:4

C		Φ6*70	12
E		Φ7*60	6



STEP:5

G		4*30	48
---	---	------	----

