


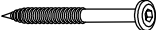


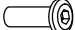




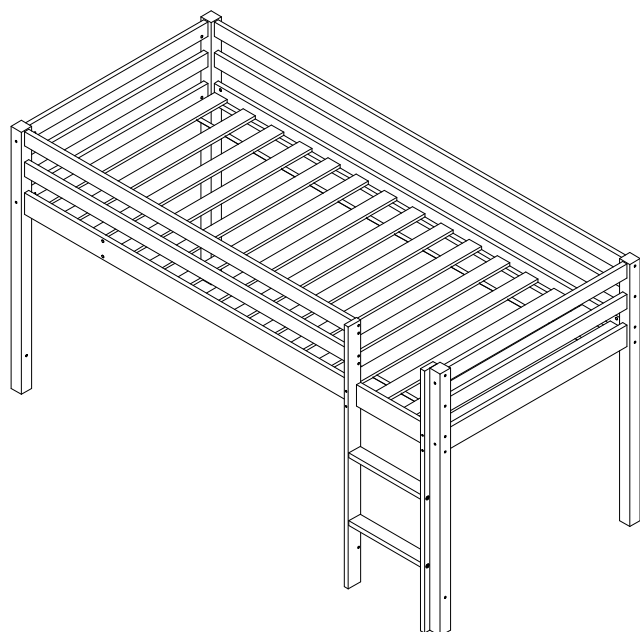
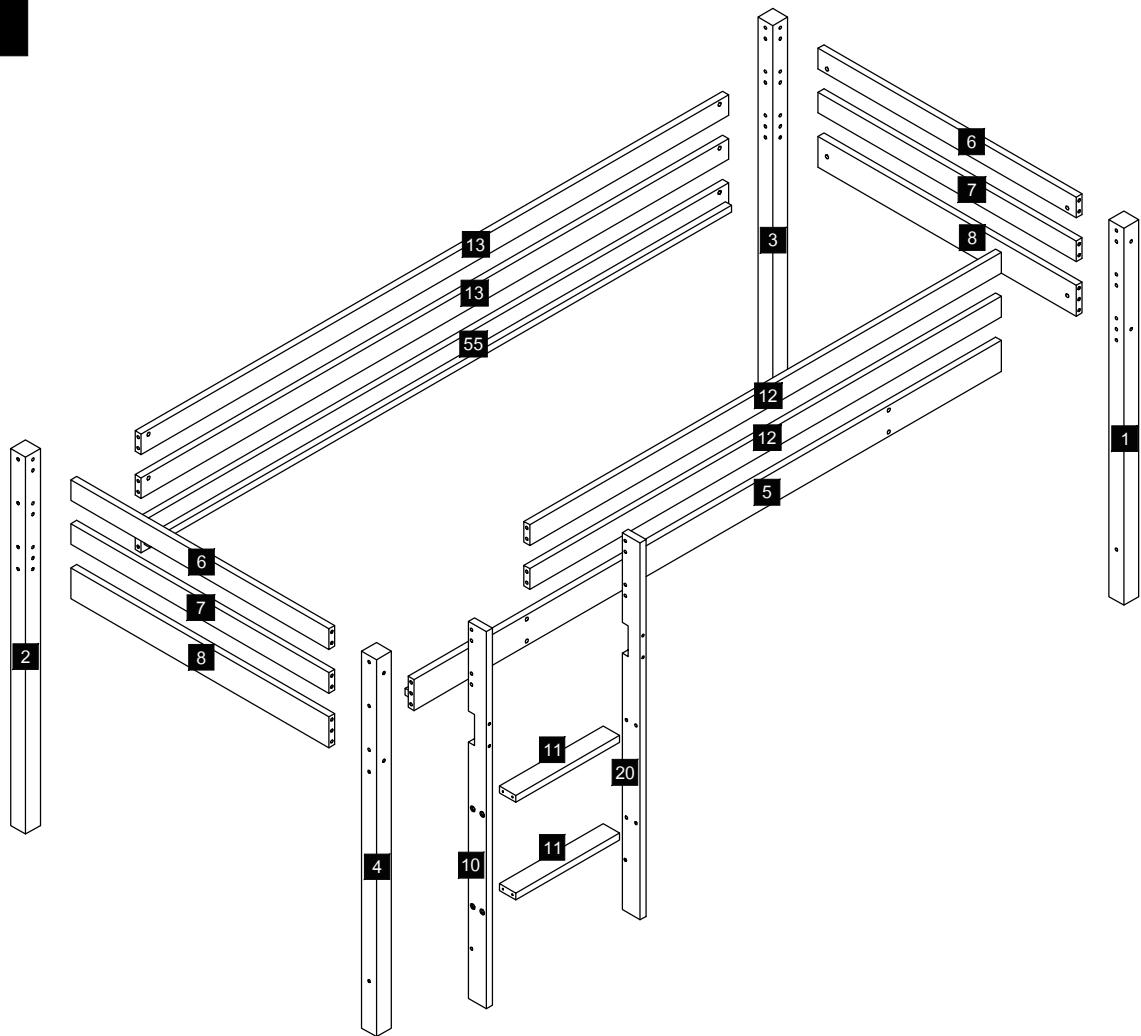


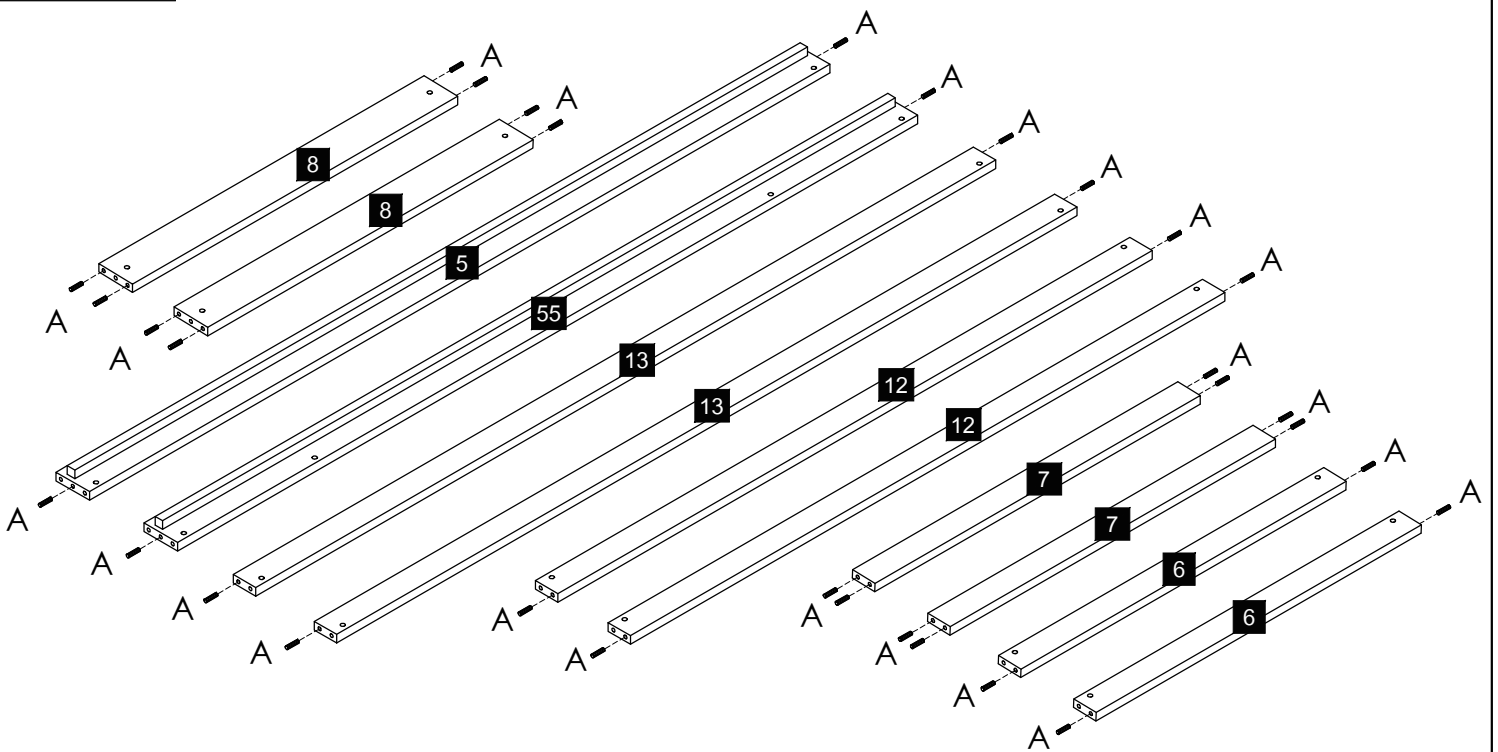
| | | | |
|---|---|-------|----|
| A |  | Φ8*30 | 32 |
| B |  | M6*90 | 22 |
| C |  | | 24 |
| H |  | Φ6*70 | 8 |
| M |  | 4 mm | 1 |
| I |  | M6*50 | 2 |
| J |  | M6 | 5 |
| R |  | Φ8 | 12 |
| S |  | M6*60 | 3 |
| K |  | M6*70 | 2 |
| L |  | 4*30 | 30 |




STEP:1

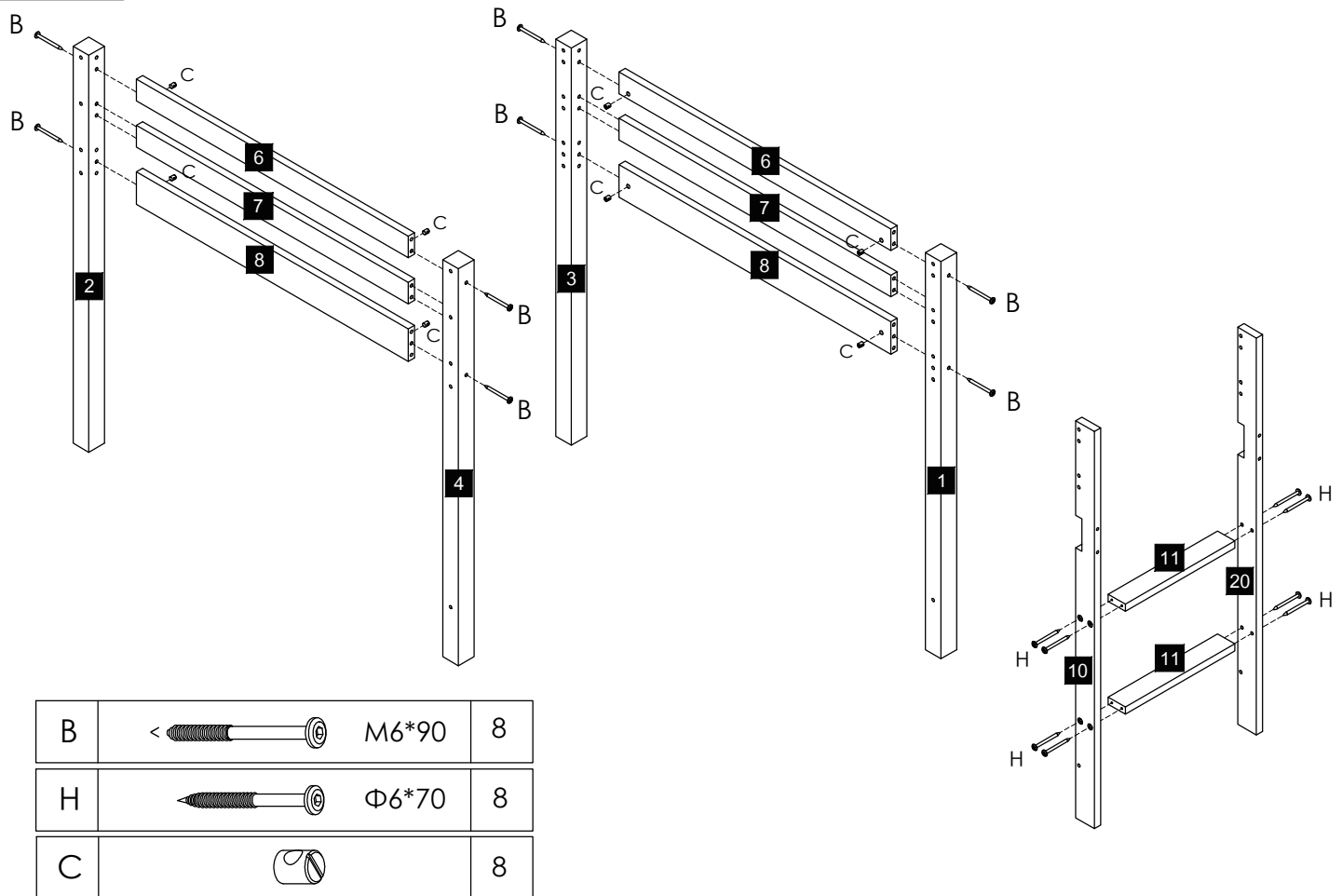


STEP:2

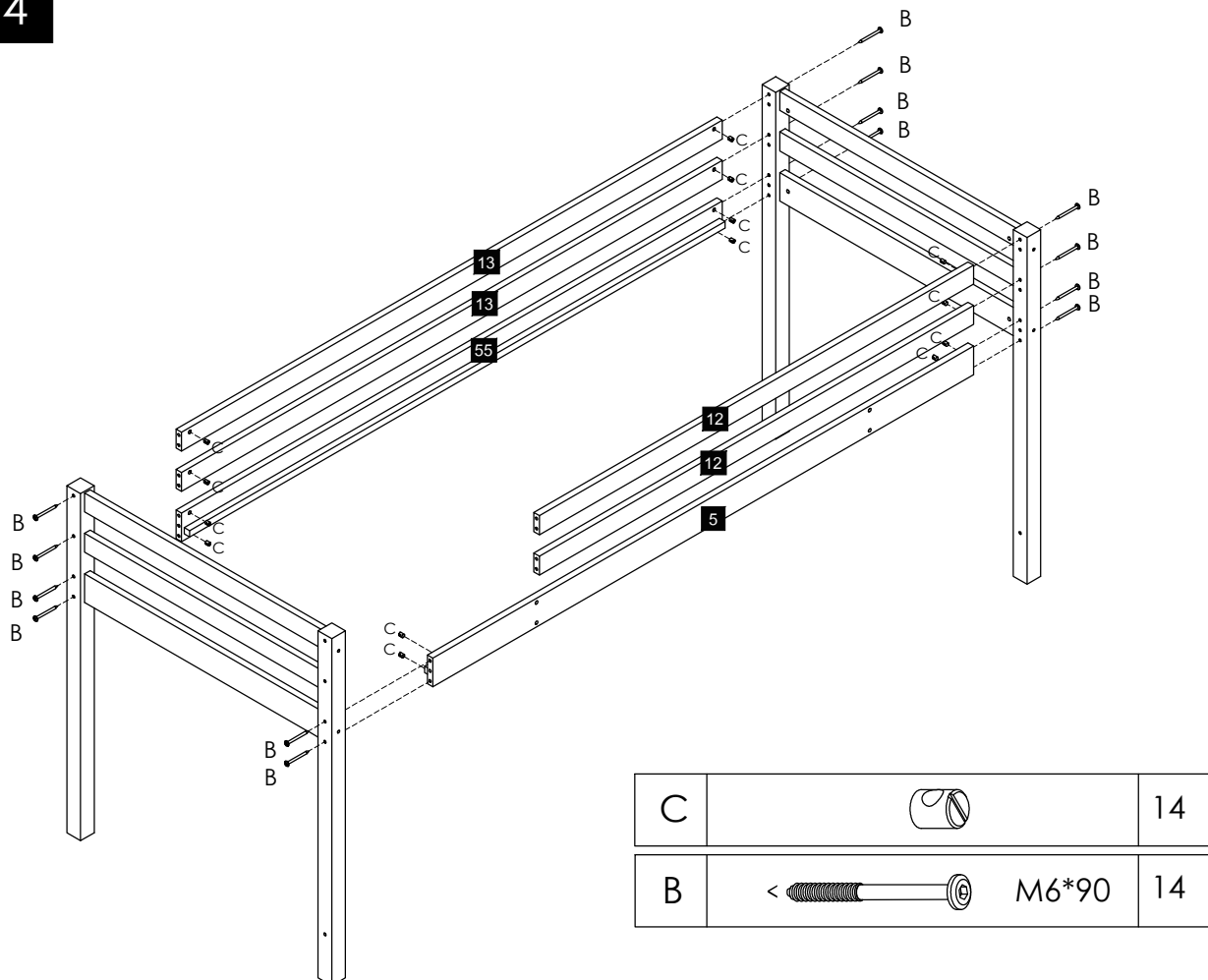


| | | | |
|---|---|-------|----|
| A |  | Φ8*30 | 32 |
|---|---|-------|----|

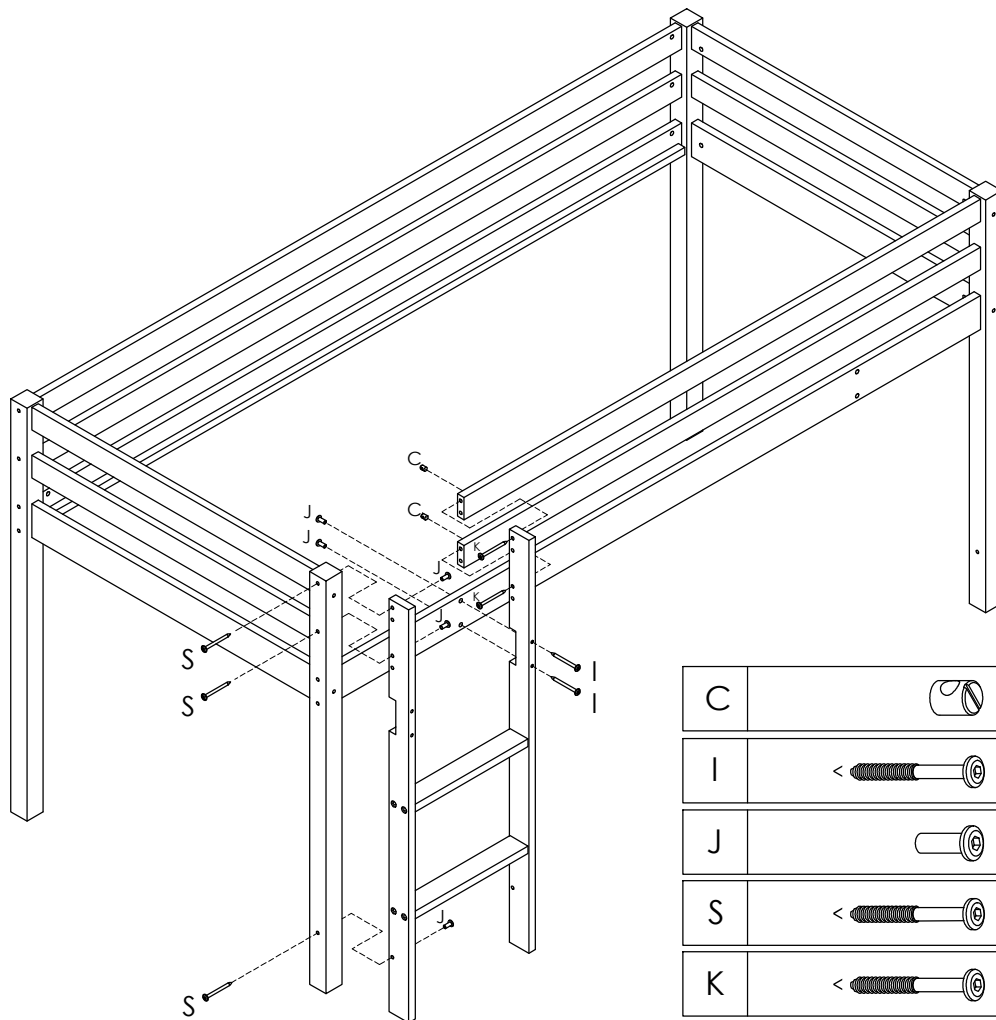
STEP:3


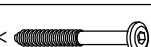


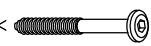


STEP:4

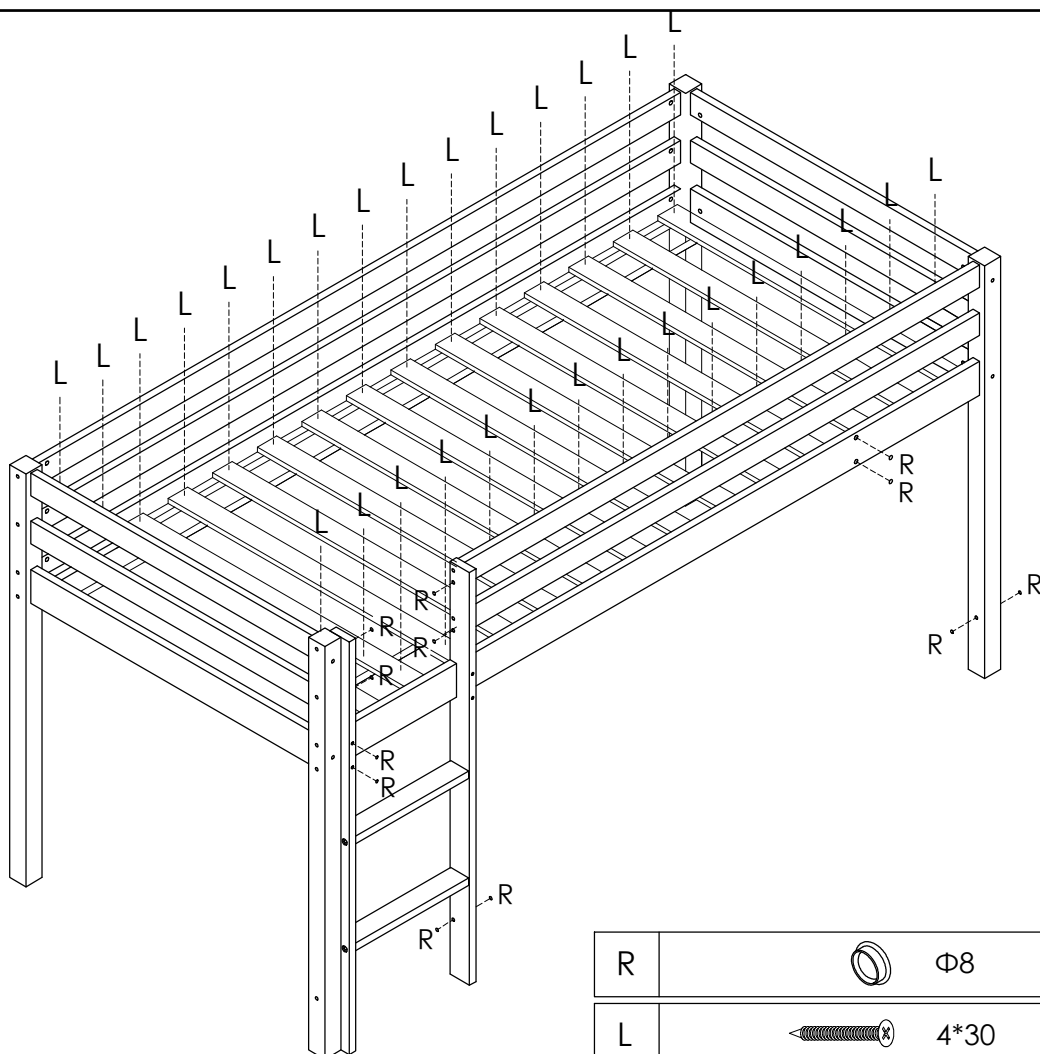




STEP:5



| | | | |
|---|---|-------|---|
| C |  | | 2 |
| I |  | M6*50 | 2 |
| J |  | M6 | 5 |
| S |  | M6*60 | 3 |
| K |  | M6*70 | 2 |

STEP:6



| | | | |
|---|---|------|----|
| R |  | Φ8 | 12 |
| L |  | 4*30 | 30 |